

US00D692302S

(12) **United States Design Patent**
Oates et al.

(10) **Patent No.:** **US D692,302 S**
(45) **Date of Patent:** **** Oct. 29, 2013**

(54) **PART OF BOTTLE**

(75) Inventors: **Benjamin Phalan Oates**, Tunbridge Wells (GB); **Neil John Smith**, Wirral (GB)

(73) Assignee: **Conopco Inc.**, Englewood Cliffs, NJ (US)

(**) Term: **14 Years**

(21) Appl. No.: **29/386,992**

(22) Filed: **Mar. 8, 2011**

(30) **Foreign Application Priority Data**

Sep. 15, 2010 (EM) 001755281-0001

(51) **LOC (9) Cl.** **09-01**

(52) **U.S. Cl.**
USPC **D9/516; D9/565**

(58) **Field of Classification Search**
USPC D9/691, 500-501, 503-504, 516, D9/522-523, 525, 529, 538, 540, 558, D9/572-575, 448-450, 562, 564, 682, D9/565; 215/379, 381-383; 220/660, 669; 222/321.9, 372, 385

See application file for complete search history.

(56) **References Cited**

U.S. PATENT DOCUMENTS

- D38,167 S * 8/1906 Wintermann D9/500
- D96,814 S 9/1935 Canaday
- D353,998 S 1/1995 Kotyuk, Jr.
- D377,755 S 2/1997 Kotyuk, Jr. et al.
- D379,429 S 5/1997 Weiss et al.
- D400,783 S 11/1998 De Mourgues
- 6,053,363 A 4/2000 Revenu
- D437,224 S 2/2001 Brozell
- D444,388 S * 7/2001 Bakic D9/574
- D445,037 S 7/2001 Kokenge et al.

- D463,734 S 10/2002 Gobe
- D472,152 S 3/2003 Joubert
- 6,533,144 B2 3/2003 Davies et al.
- D492,604 S 7/2004 Bakic
- D499,338 S 12/2004 Mulder et al.

(Continued)

FOREIGN PATENT DOCUMENTS

- CN 3625597 3/2007
- CN 300731939 1/2008

(Continued)

OTHER PUBLICATIONS

Photos of Schwarzkopf Shea and Schwarzkopf Seah Pearl Bath Pack (2 drawings).

(Continued)

Primary Examiner — Wan Laymon

(74) *Attorney, Agent, or Firm* — Ronald A. Koatz

(57) **CLAIM**

The ornamental design for a part of bottle, as shown and described.

DESCRIPTION

FIG. 1 is a top, front and side perspective view of a part of bottle showing our new design;

FIG. 2 is a front elevational view thereof;

FIG. 3 is a rear elevational view thereof;

FIG. 4 is a side elevational view thereof;

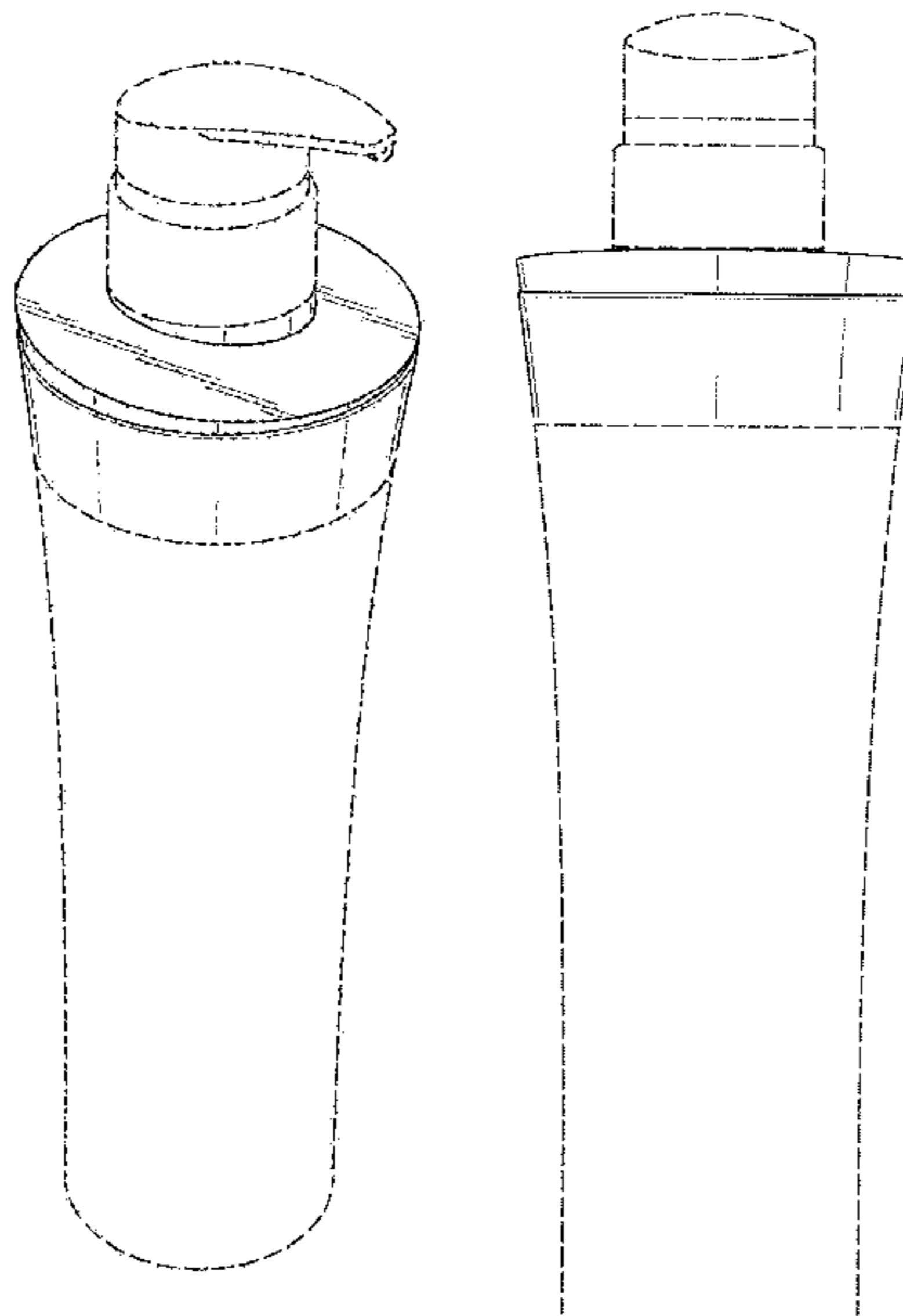
FIG. 5 is an elevational view of the other side thereof;

FIG. 6 is a top plan view thereof; and,

FIG. 7 is a bottom plan view thereof.

The broken lines immediately adjacent the shaded areas represent the bounds of the claimed design while all other broken lines represent environment and are for illustrative purposes only; the broken lines form no part of the claimed design.

1 Claim, 4 Drawing Sheets



(56)

References Cited

U.S. PATENT DOCUMENTS

D513,995 S	1/2006	Miwa	
D526,202 S *	8/2006	Bakic	D9/522
D542,148 S	5/2007	Boucher	
D546,188 S	7/2007	Penfold et al.	
D555,007 S *	11/2007	Penfold et al.	D9/682
D558,591 S	1/2008	Blasko et al.	
D563,233 S	3/2008	Patzak	
D584,961 S	1/2009	Yakoby	
D585,761 S	2/2009	Oates	
D591,164 S *	4/2009	Ribadeneira Mejia et al.	D9/682
D601,429 S	10/2009	Handy	
D609,099 S	2/2010	Oates	
D614,031 S	4/2010	Creed et al.	
D626,858 S	11/2010	Oatest et al.	
D658,076 S *	4/2012	McCoy et al.	D9/723
D660,151 S *	5/2012	Mongeon et al.	D9/448

FOREIGN PATENT DOCUMENTS

CN	300867043	12/2008
CN	301089171	12/2009
KR	3004815620000	2/2008

KR	300516958	1/2009
KR	300516961	1/2009
KR	3005180870000	1/2009
KR	300534908	8/2009
KR	300569502	5/2010
KR	300569208	8/2010

OTHER PUBLICATIONS

Photo of L'Oreal Serie Expert Power (1 drawing).
 Co-pending application for Oates et al., U.S. Appl. No. 29/386,987,
 filed Mar. 8, 2011 for Container with Pump.
 Co-pending application for Oates et al., U.S. Appl. No. 29/386,989,
 filed Mar. 8, 2011 for Bottle with Pump.
 Co-pending application for Oates et al., U.S. Appl. No. 29/386,991,
 filed Mar. 8, 2011 for Bottle with Pump.
 Co-pending application for Oates et al., U.S. Appl. No. 29/386,993,
 filed Mar. 8, 2011 for Container Cover.
 Co-pending application for Oates et al., U.S. Appl. No. 29/386,995,
 filed Mar. 8, 2011 for Part of Container.

* cited by examiner

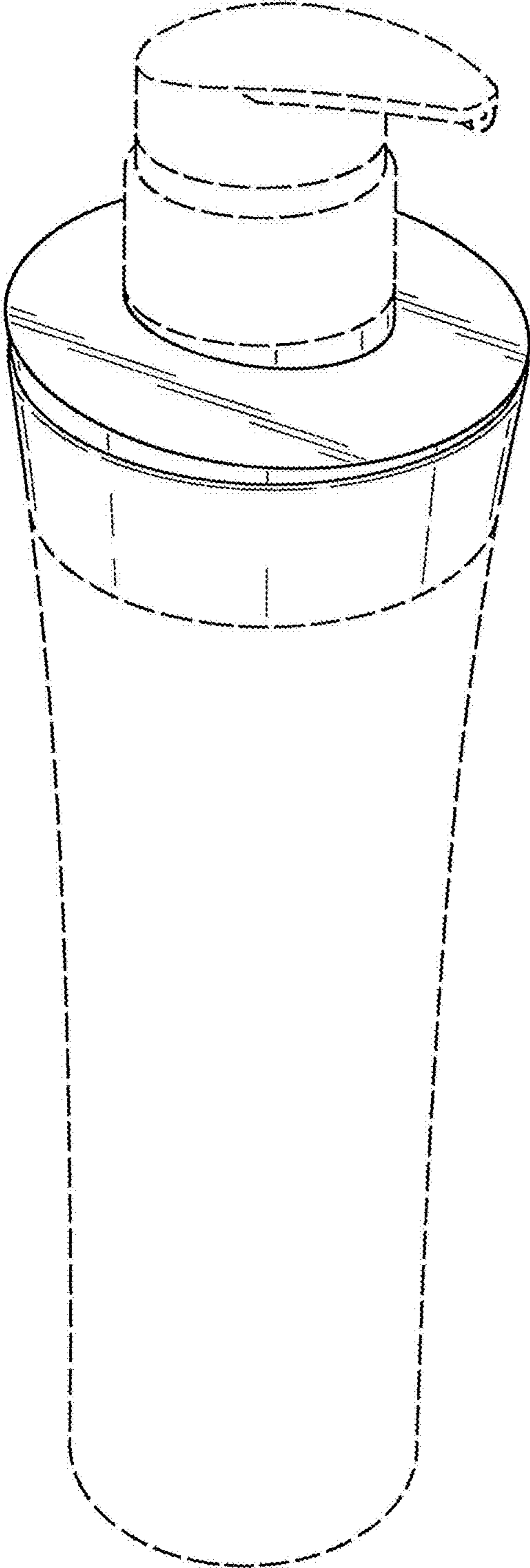


Fig. 1.

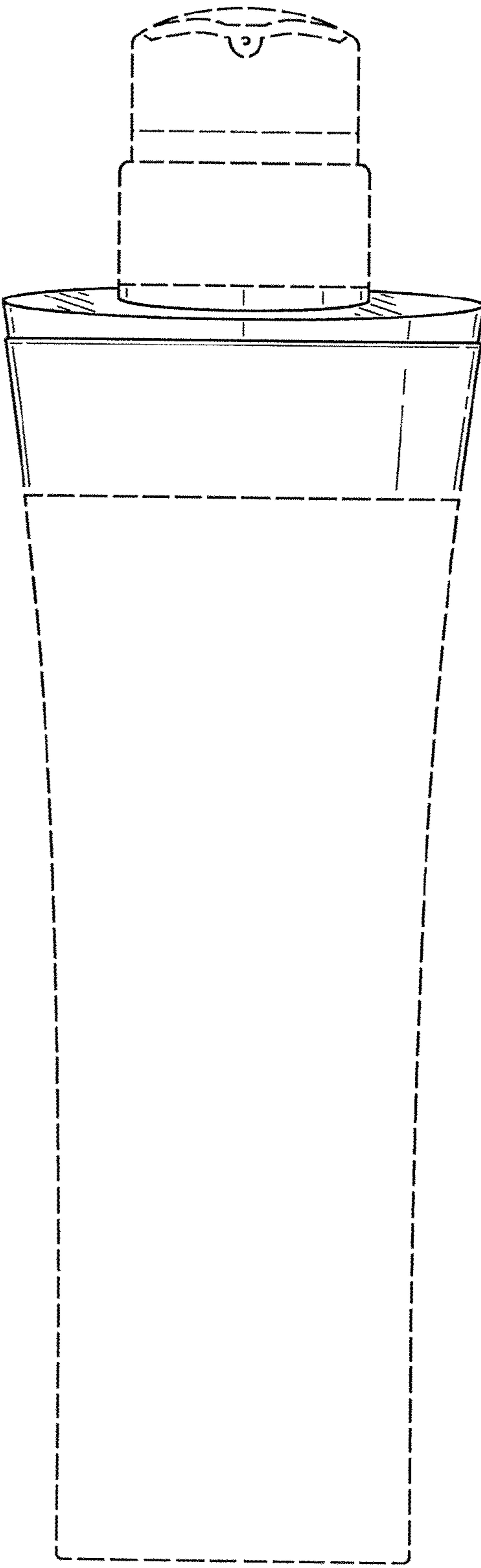


Fig.2.

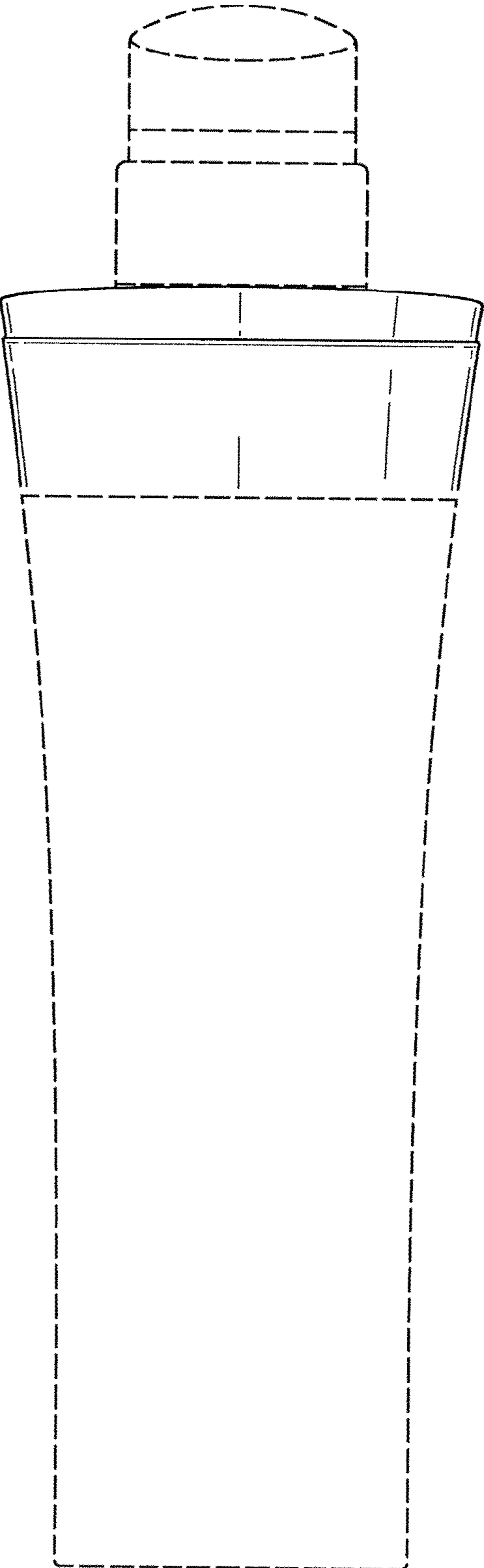


Fig.3.

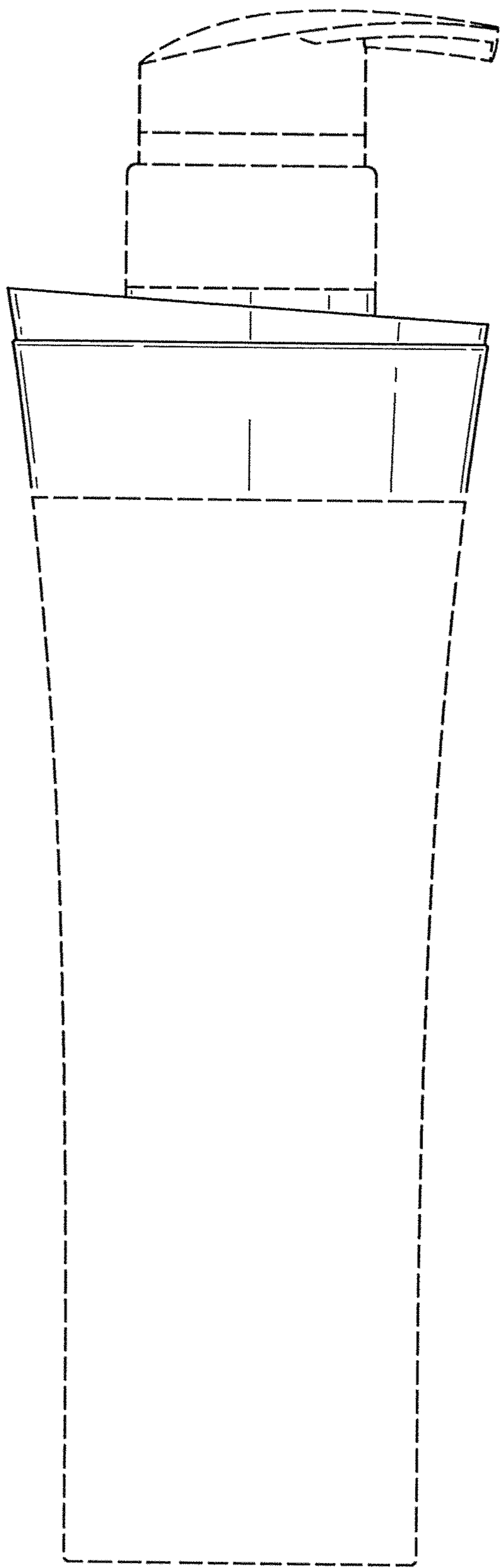


Fig.4.

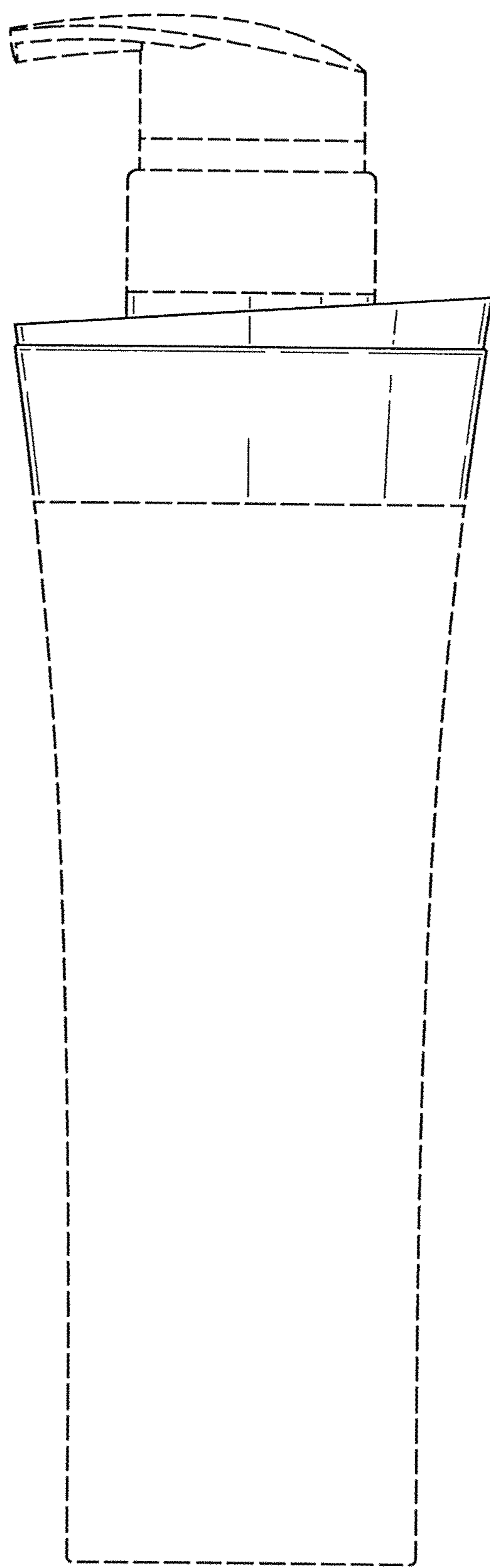


Fig.5.

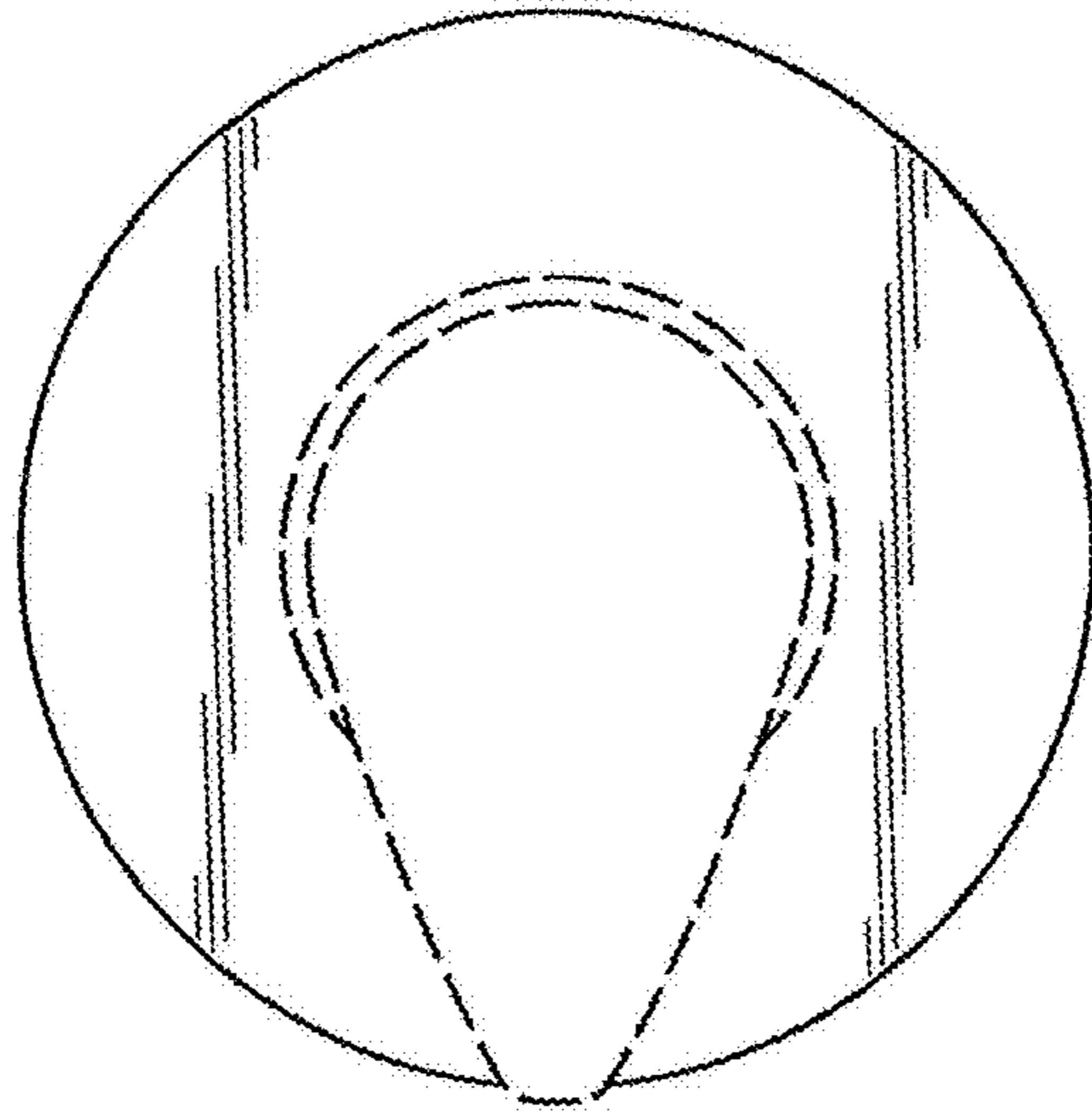


Fig. 6.

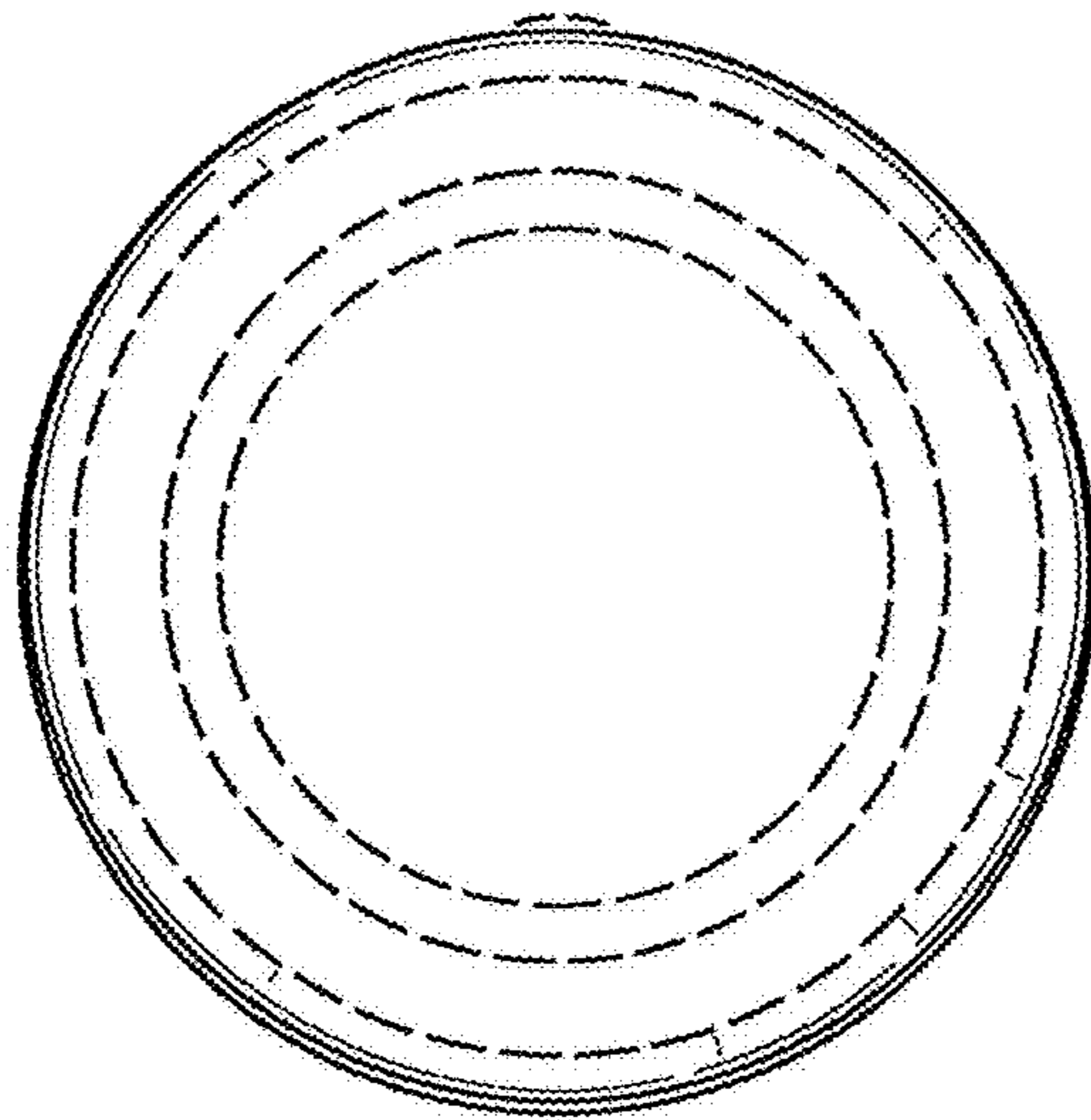


Fig. 7.