

US00D692300S

(12) **United States Design Patent**  
**Park et al.**

(10) **Patent No.:** **US D692,300 S**  
(45) **Date of Patent:** **\*\* Oct. 29, 2013**

(54) **CAP FOR PACKING CONTAINER**  
(75) Inventors: **Kyung Mi Park**, Seoul (KR); **Yu Jin Sung**, Namyangju (KR)  
(73) Assignee: **Amorepacific Corporation**, Seoul (KR)  
(\*\*) Term: **14 Years**

D157,915 S \* 3/1950 Simoneau ..... D9/441  
D257,230 S \* 10/1980 Plummer ..... D9/439  
D332,223 S \* 1/1993 Albertson ..... D9/448  
D370,846 S \* 6/1996 Hanna ..... D9/439  
D404,305 S \* 1/1999 De Baschmakoff ..... D9/449  
D467,173 S \* 12/2002 Krause ..... D9/434  
D567,650 S \* 4/2008 Leoncavallo et al. .... D9/439  
D667,726 S \* 9/2012 Bloc ..... D9/448

\* cited by examiner

(21) Appl. No.: **29/417,956**  
(22) Filed: **Apr. 11, 2012**  
(51) **LOC (9) Cl.** ..... **09-01**  
(52) **U.S. Cl.**  
USPC ..... **D9/451; D9/448**  
(58) **Field of Classification Search**  
USPC ..... D9/600, 661-664, 434, 439-441,  
D9/448-449, 451; 206/494, 457, 527, 540;  
215/316, 355, 400; 220/890;  
229/116.1; D7/392.1  
See application file for complete search history.

*Primary Examiner* — Sandra Morris  
(74) *Attorney, Agent, or Firm* — Justin H. Kim; Maxon IP LLC.

(57) **CLAIM**  
The ornamental design for a cap for packing container, as shown and described.

**DESCRIPTION**

FIG. 1 is a perspective view of a cap for packing container;  
FIG. 2 is a front view thereof;  
FIG. 3 is a back view thereof;  
FIG. 4 is a left side view thereof;  
FIG. 5 is a right side view thereof;  
FIG. 6 is a top view thereof; and,  
FIG. 7 shows that it divides a safety pin from a body of dispensing pump thereof.

**1 Claim, 5 Drawing Sheets**

(56) **References Cited**  
U.S. PATENT DOCUMENTS  
D24,577 S \* 8/1895 Gault ..... D9/441  
D130,837 S \* 12/1941 Grunberg ..... D9/441  
D157,262 S \* 2/1950 Jung ..... D9/451

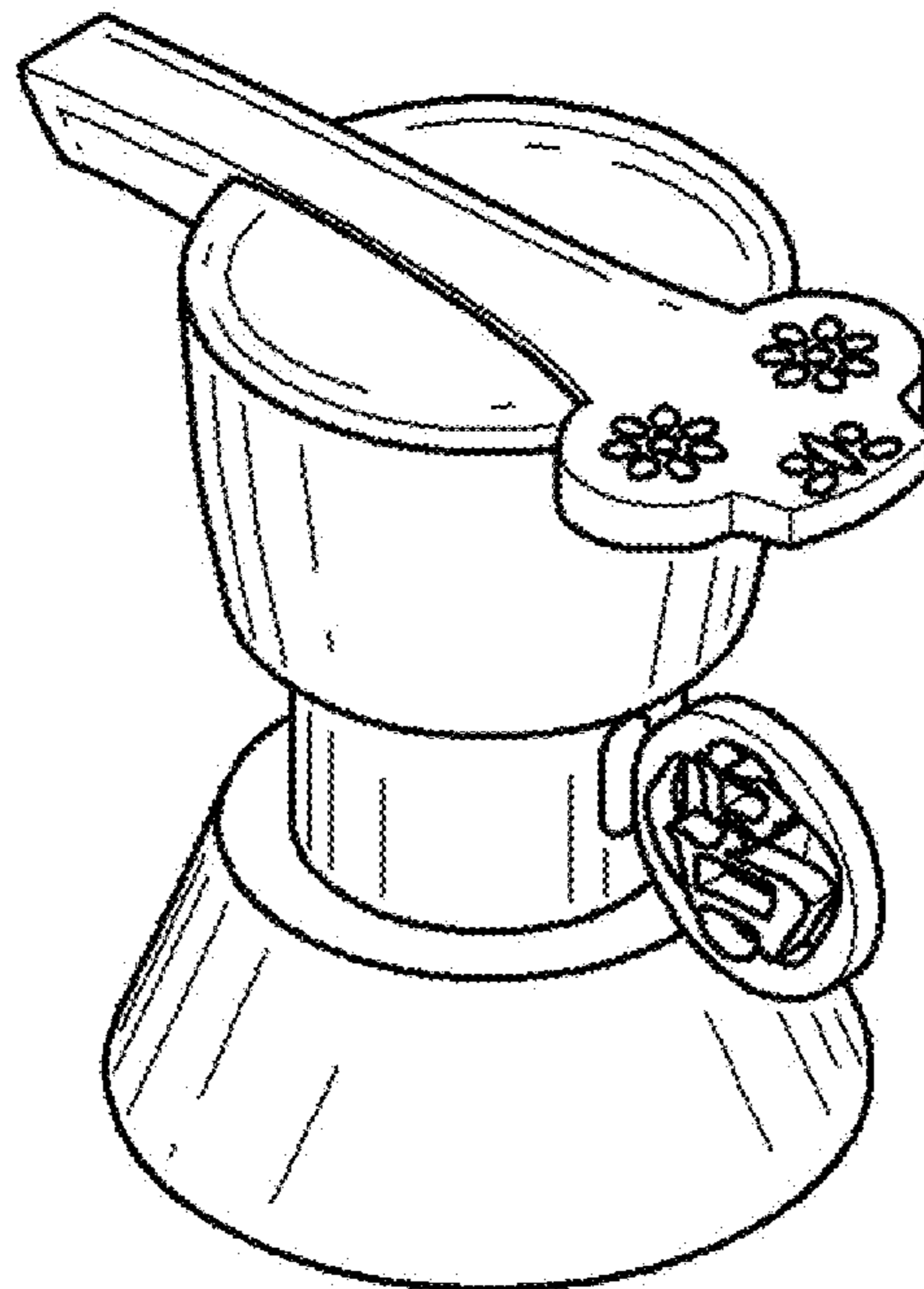


FIG. 1

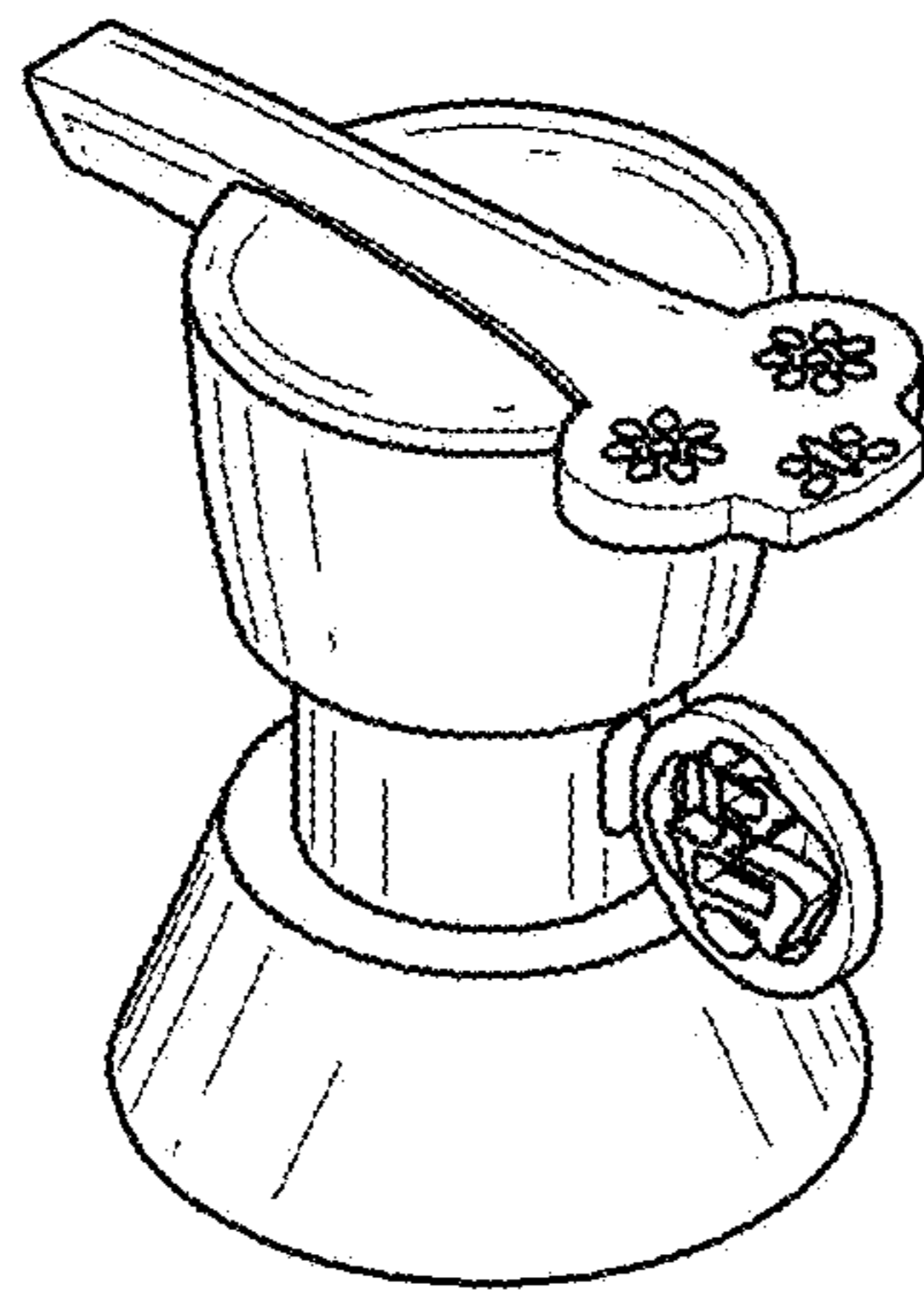


FIG. 2

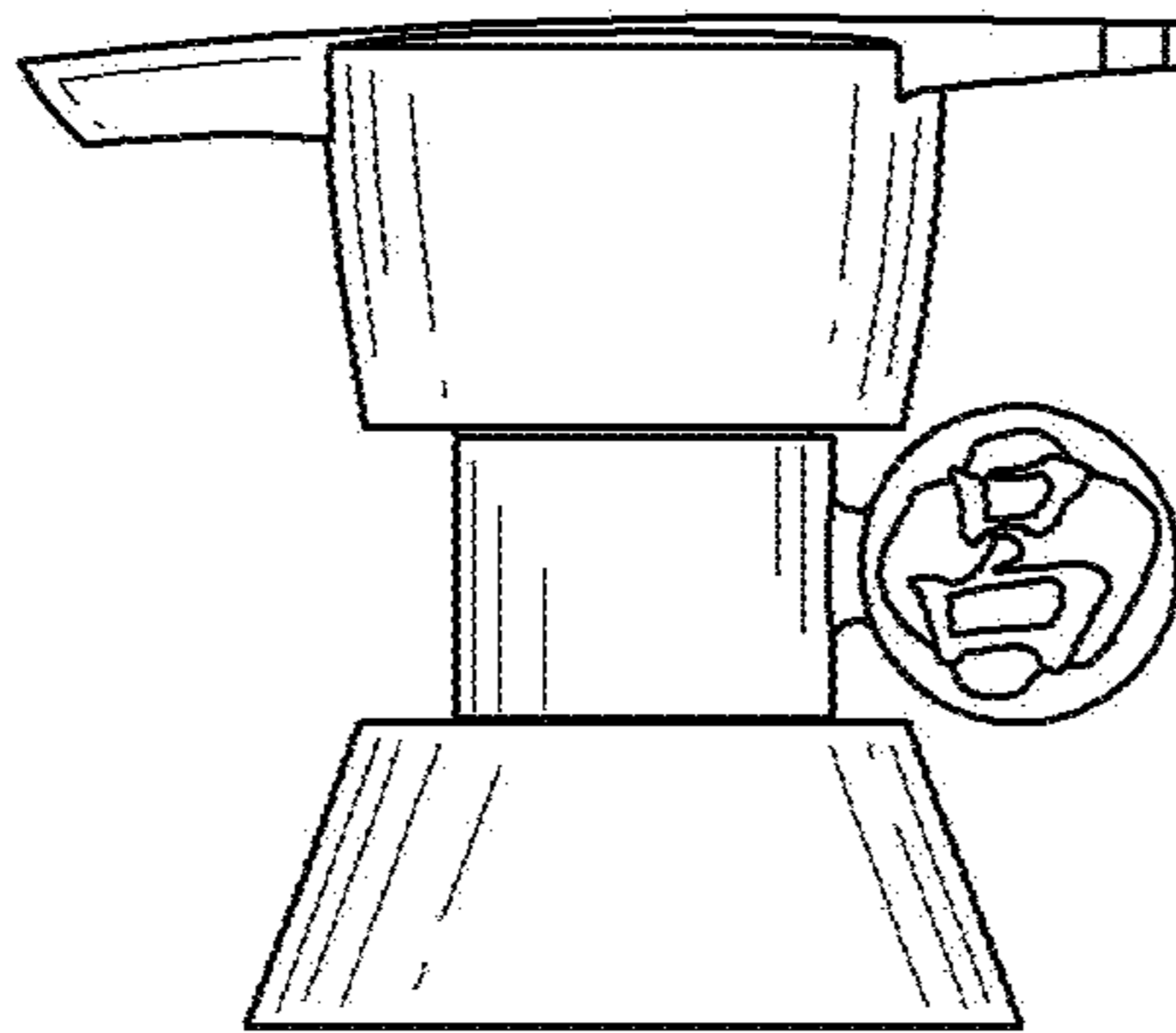


FIG. 3

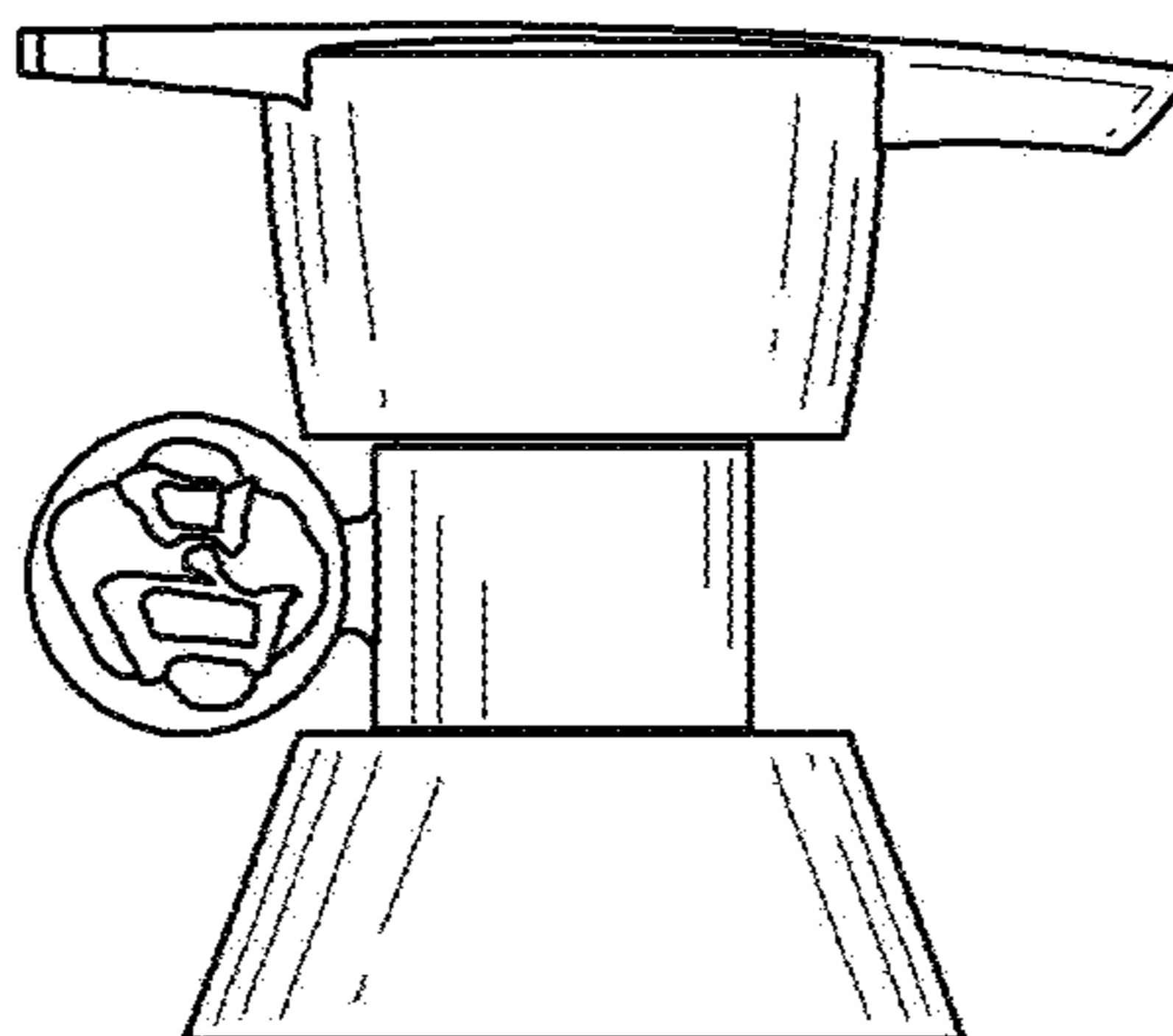


FIG. 4

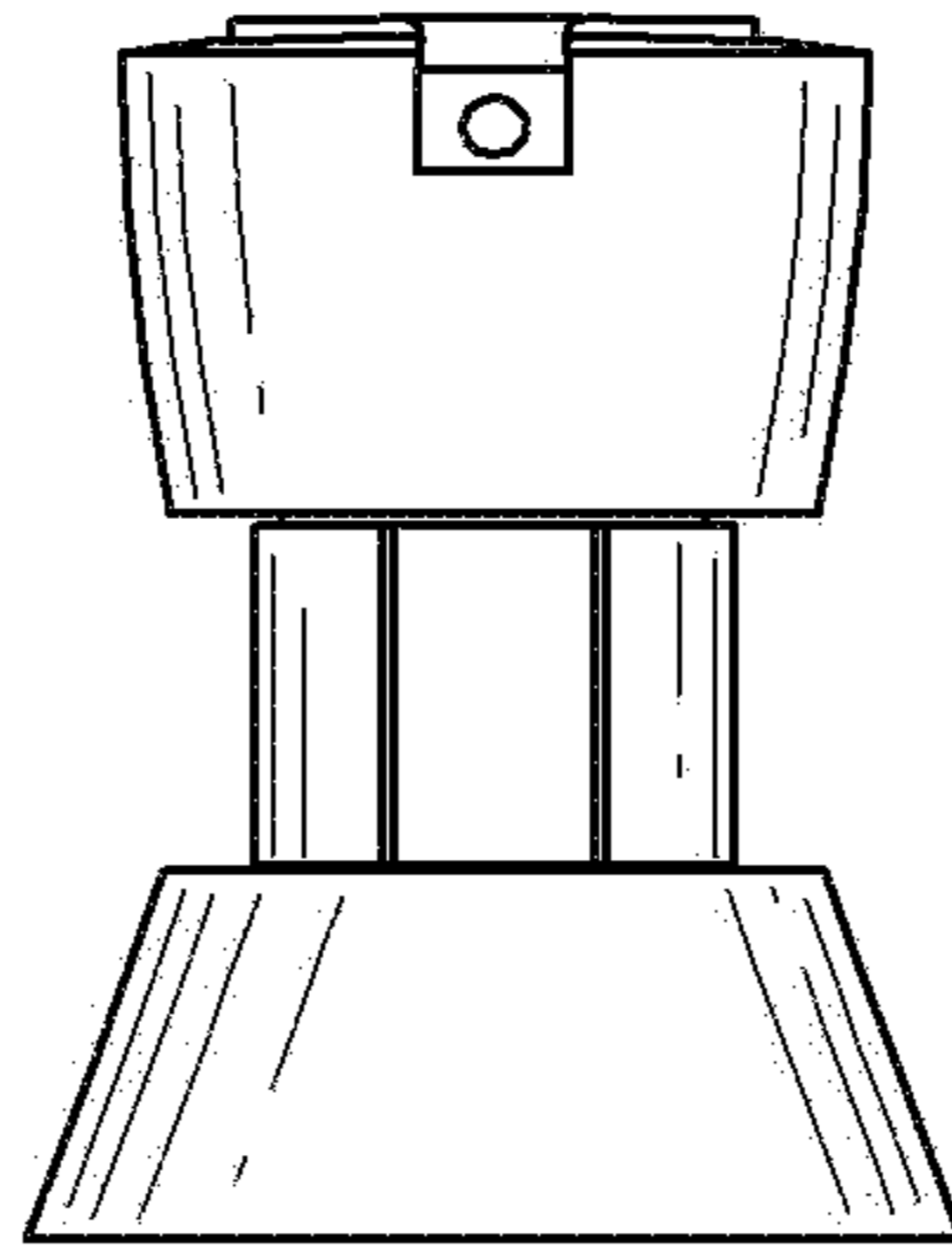


FIG. 5

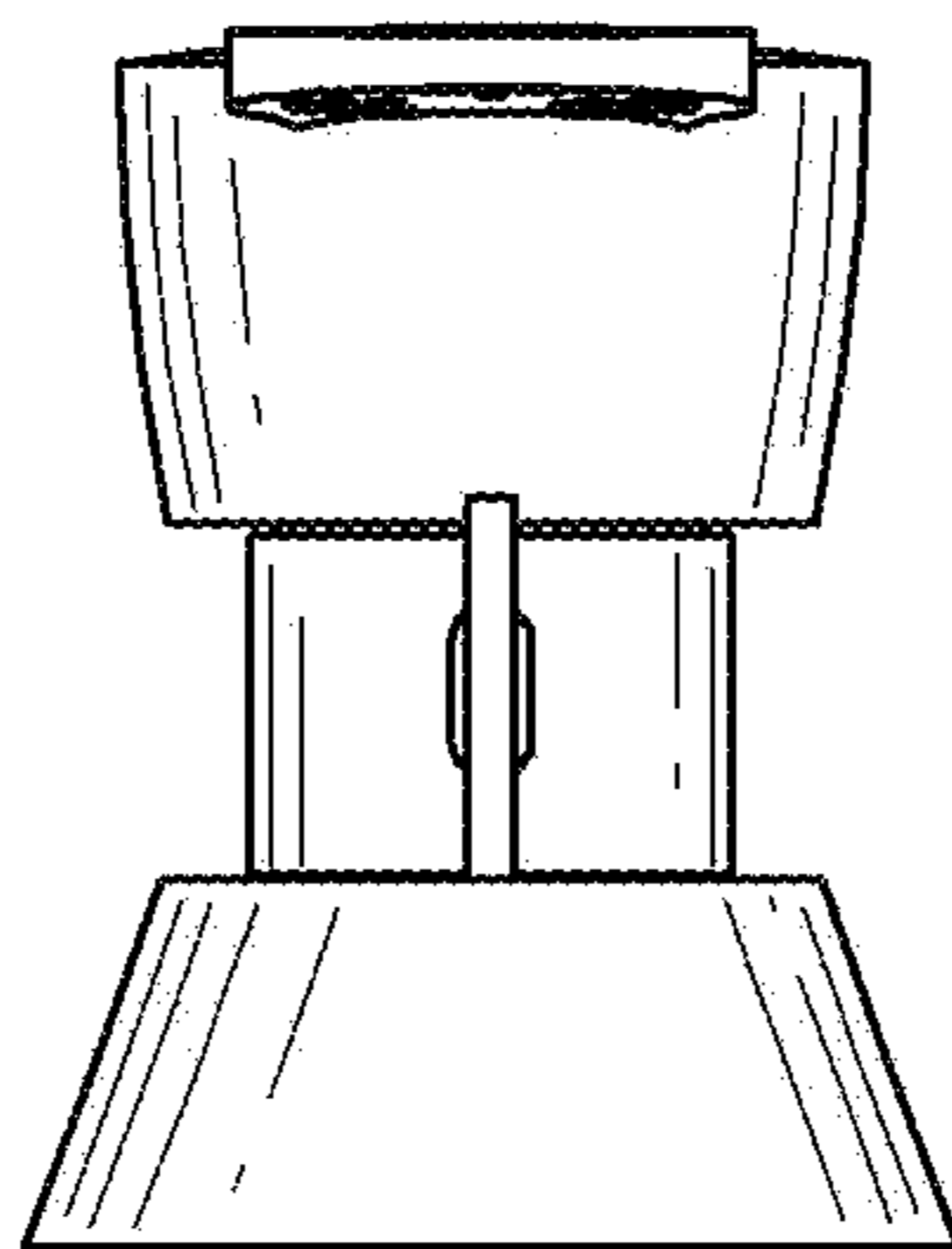


FIG. 6

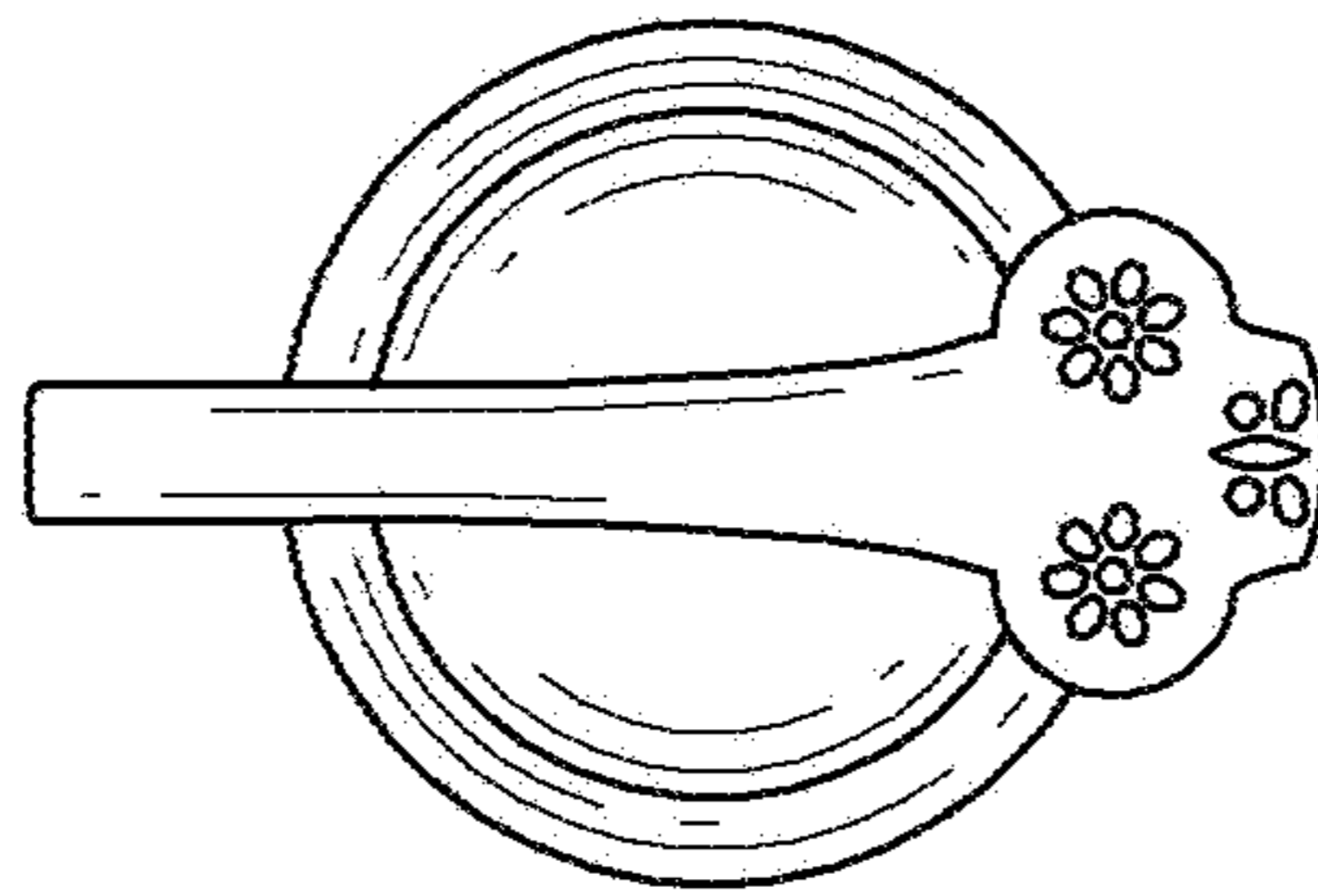


FIG. 7

