



US00D692297S

(12) **United States Design Patent**
Wintmolders et al.

(10) **Patent No.:** **US D692,297 S**
(45) **Date of Patent:** **** Oct. 29, 2013**

- (54) **CONTAINER**
- (71) Applicant: **The Procter & Gamble Company**,
Cincinnati, OH (US)
- (72) Inventors: **Wim Wintmolders**, West Chester, OH
(US); **David William Schuller**,
Lebanon, OH (US); **Richard Lee Lane**,
Columbus, OH (US); **Richard**
Christopher Hagee, Cincinnati, OH
(US)
- (73) Assignee: **The Procter & Gamble Company**,
Cincinnati, OH (US)

D496,560 S	9/2004	Lerner
D571,200 S	6/2008	Bouveret et al.
D584,612 S	1/2009	Ianelli
D588,914 S	3/2009	Laurieu-Tedeschi
D600,111 S	9/2009	Geruiski et al.
D640,550 S	6/2011	Snedden et al.
D646,969 S	10/2011	Snedden et al.
D649,033 S	11/2011	Epstein et al.
D655,577 S	3/2012	Samartgis
D655,578 S	3/2012	Samartgis
D669,778 S	10/2012	Houlton et al.
D677,150 S *	3/2013	Barbier D9/424
D677,568 S *	3/2013	Sina D9/451

- (**) Term: **14 Years**
- (21) Appl. No.: **29/451,339**
- (22) Filed: **Apr. 1, 2013**

Related U.S. Application Data

- (62) Division of application No. 29/384,228, filed on Jan. 28, 2011, now Pat. No. Des. 682,676.
- (51) **LOC (9) Cl.** **09-03**
- (52) **U.S. Cl.**
USPC **D9/431**
- (58) **Field of Classification Search**
USPC D9/435, 434, 432, 431, 430, 425, 424;
D3/272, 273, 302, 201; 206/267, 269,
206/270, 273, 299, 737, 740, 822; 229/100,
229/101, 101.3, 106, 108-112
See application file for complete search history.

(56) **References Cited**

U.S. PATENT DOCUMENTS

2,606,586 A	8/1952	Hill
2,880,859 A	4/1959	Tupper
3,986,479 A	10/1976	Bonk
D465,382 S *	11/2002	Wolf et al. D7/392.1

OTHER PUBLICATIONS

U.S. Appl. No. 29/384,228, filed Jan. 28, 2011, Wim Wintmolders.

* cited by examiner

Primary Examiner — Susan Bennett Hattan
(74) *Attorney, Agent, or Firm* — Larry L. Huston; Steven W. Miller

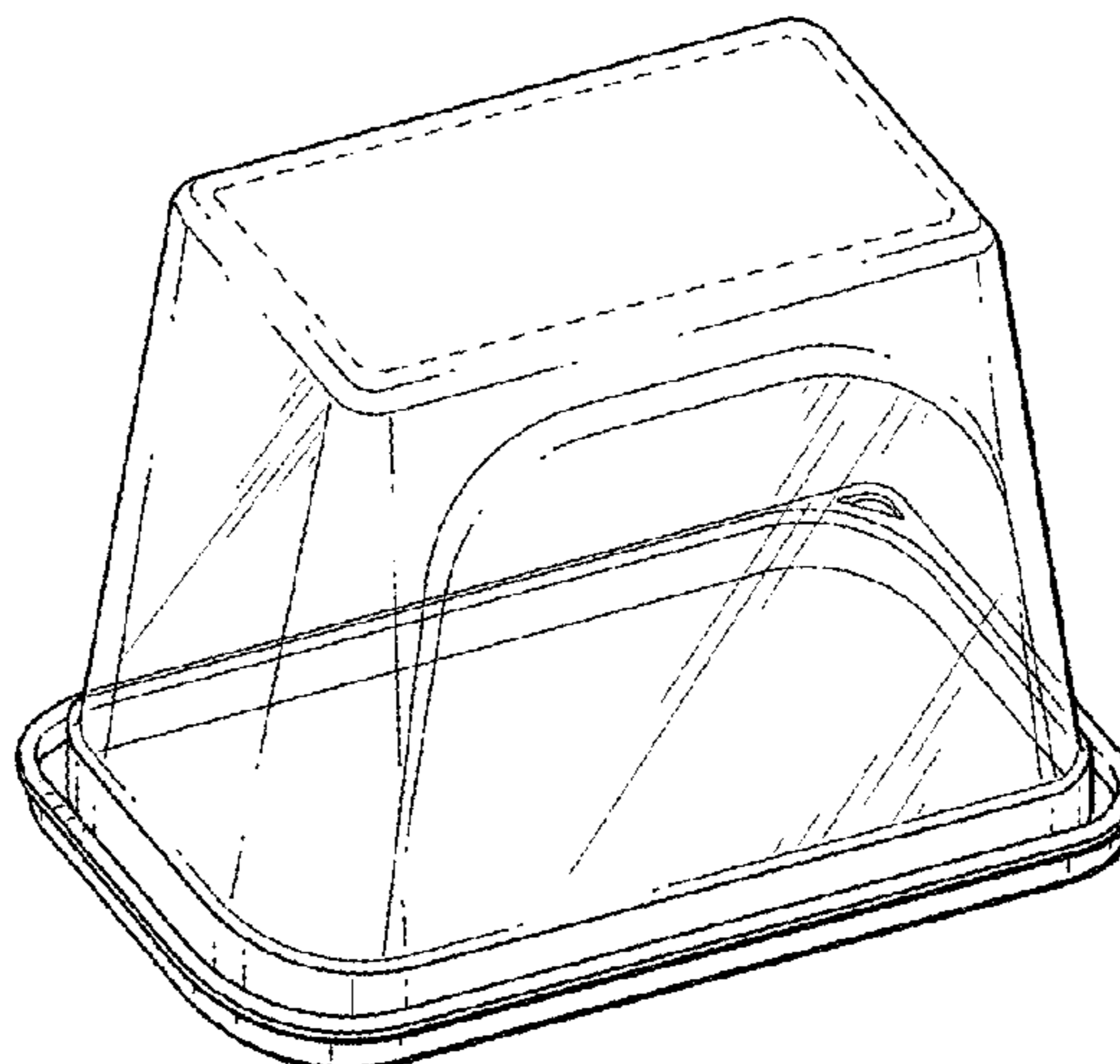
(57) **CLAIM**

The ornamental design for a container, as shown and described.

DESCRIPTION

FIG. 1 is perspective view of a container according to the present invention;
 FIG. 2 is a front view of a container according to the present invention;
 FIG. 3 is a rear view of a container according to the present invention;
 FIG. 4 is a left side view of a container according to the present invention;
 FIG. 5 is a right side view of a container according to the present invention;
 FIG. 6 is a top view of a container according to the present invention; and,
 FIG. 7 is a bottom view of a container according to the present invention.
 The broken lines in FIGS. 1 and 6 define the boundary of the claimed design and form no part of the claimed design.

1 Claim, 2 Drawing Sheets



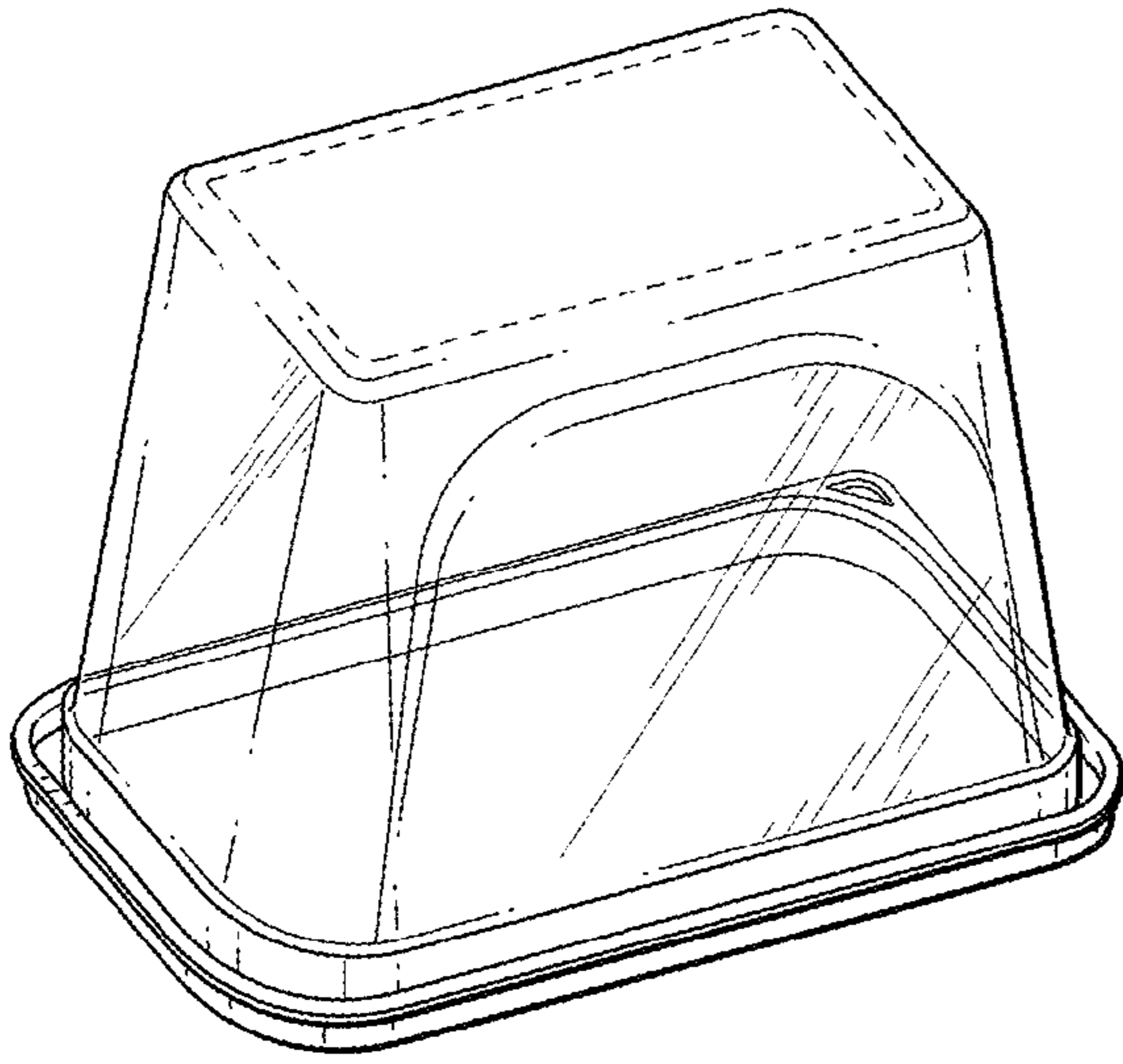


FIG. 1

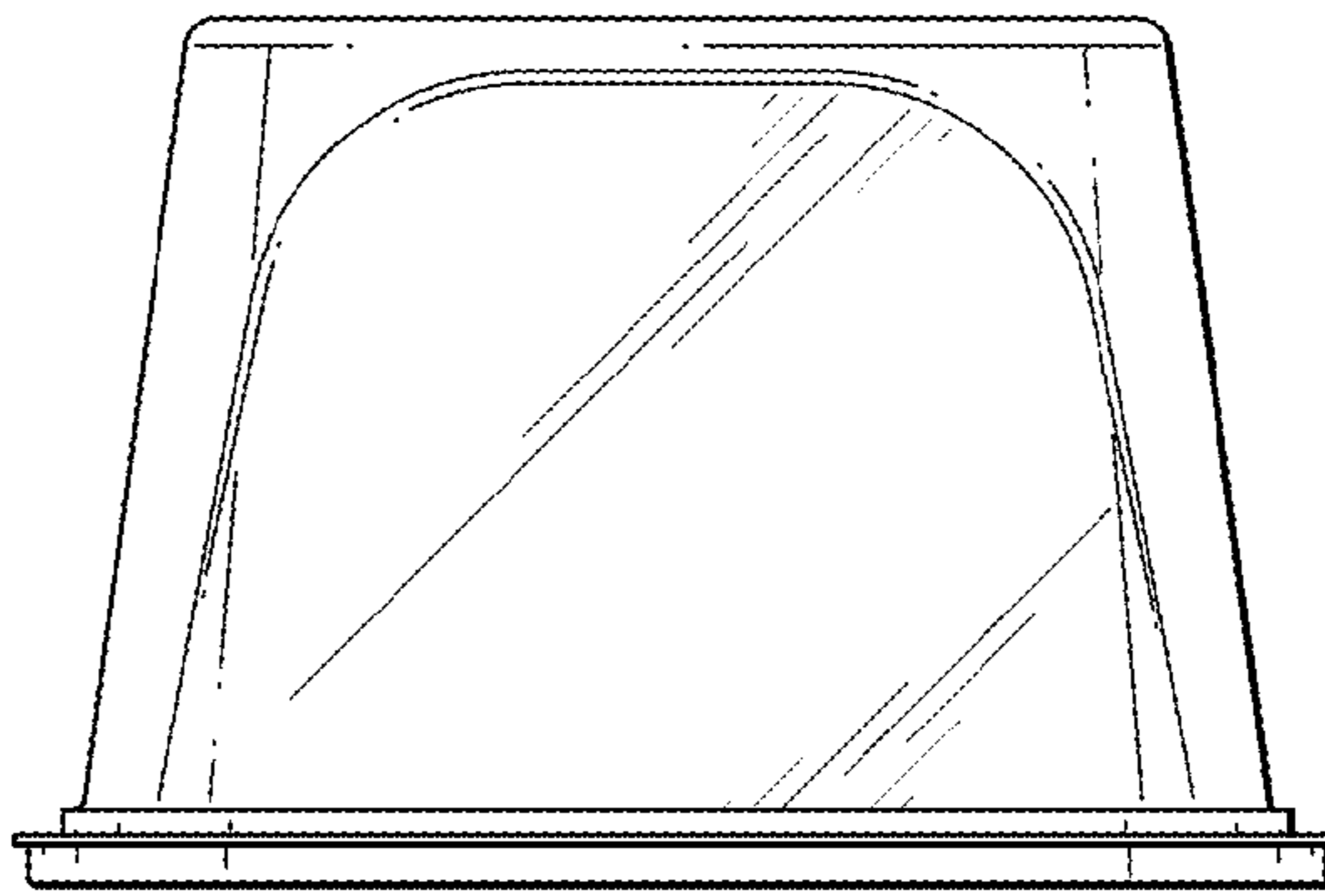


FIG. 2

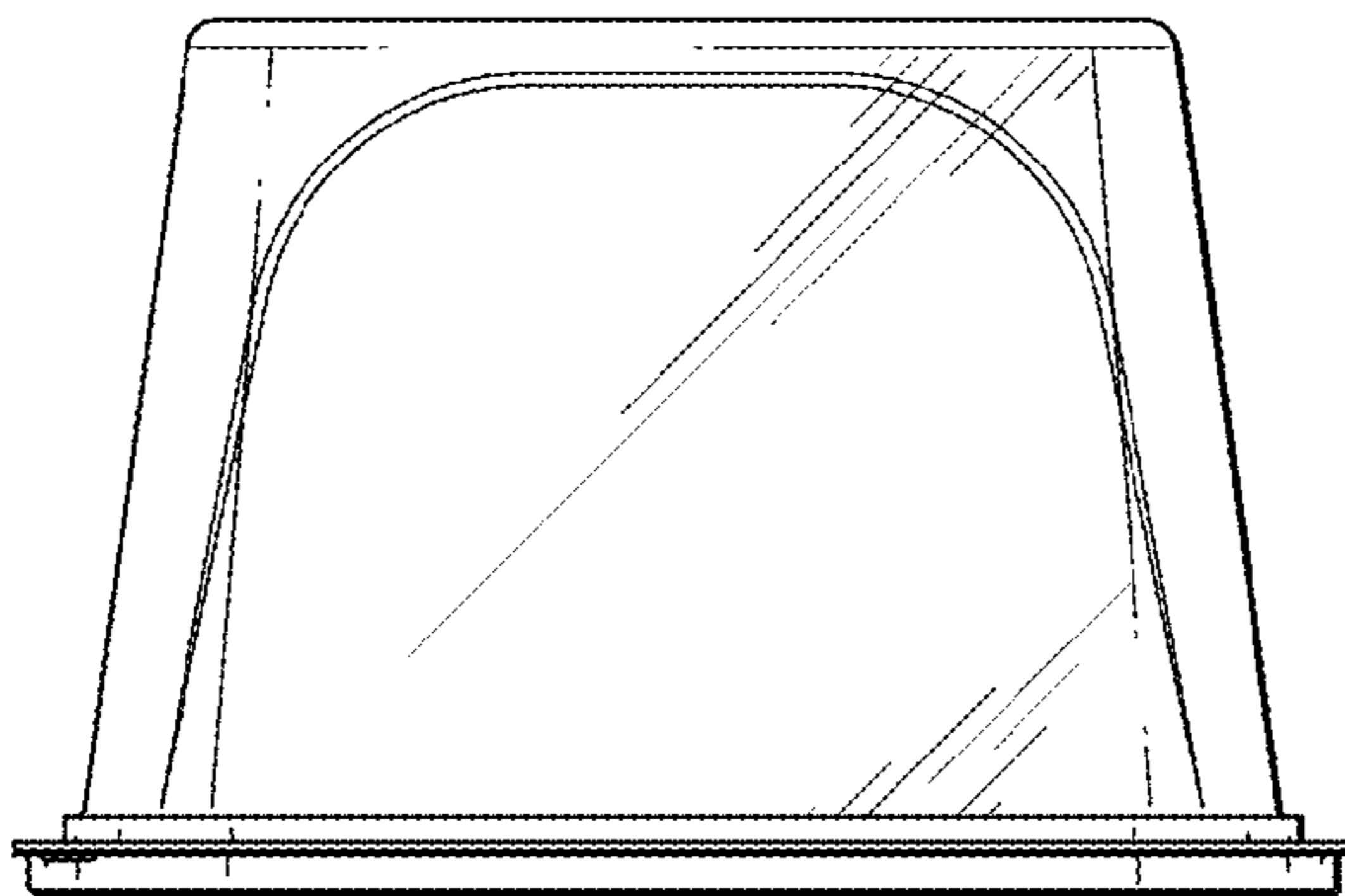


FIG. 3

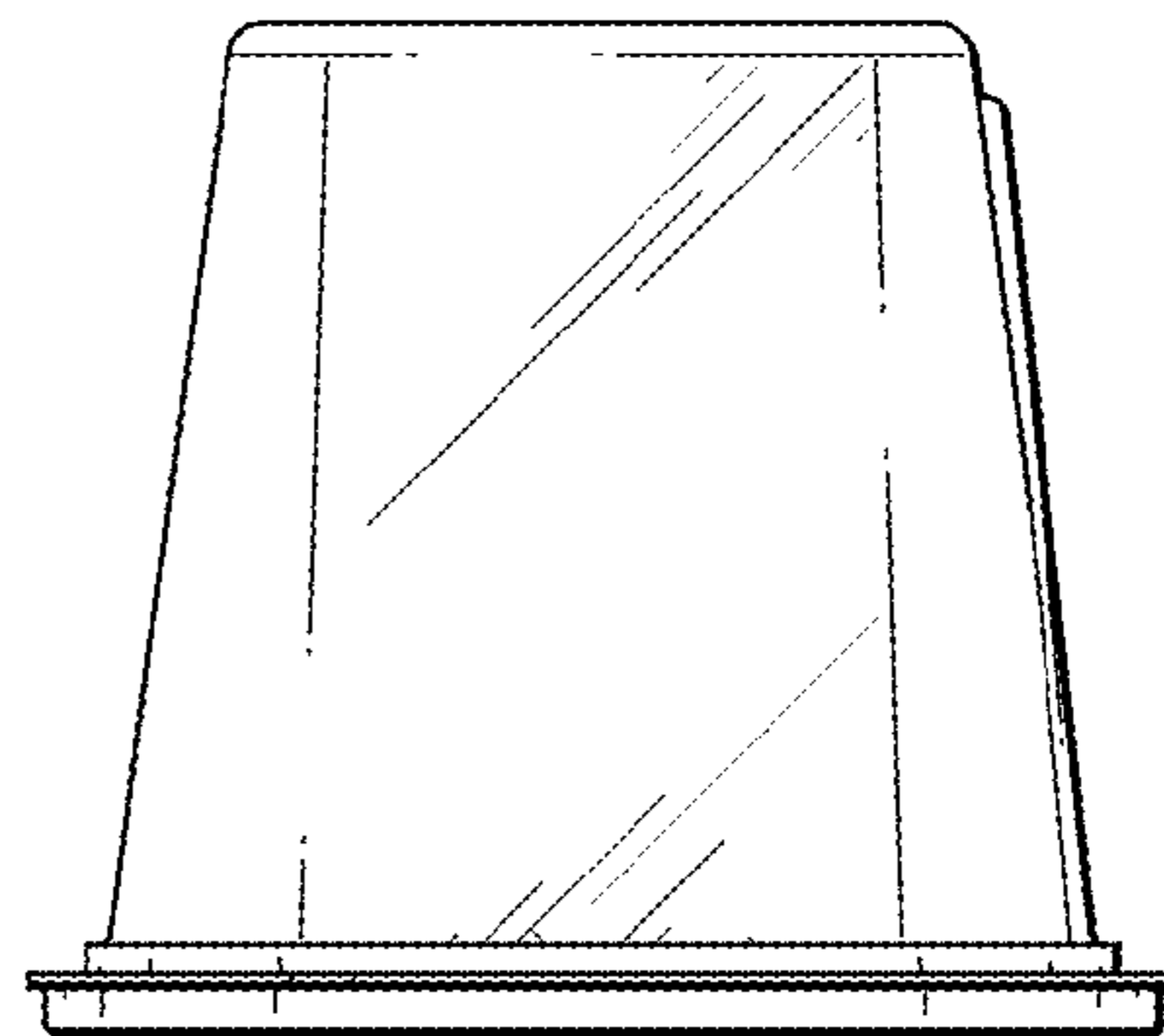


FIG. 4

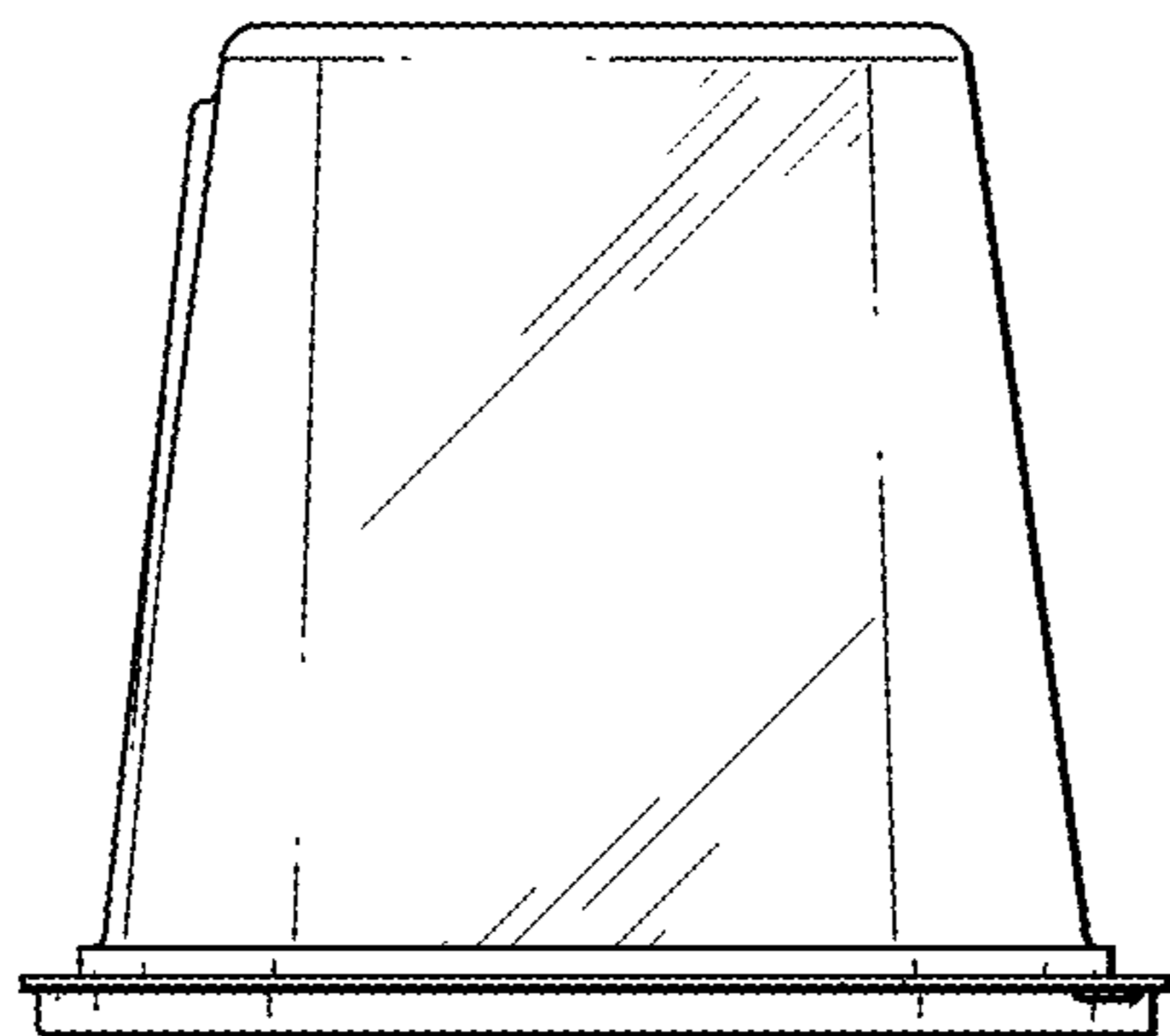


FIG. 5

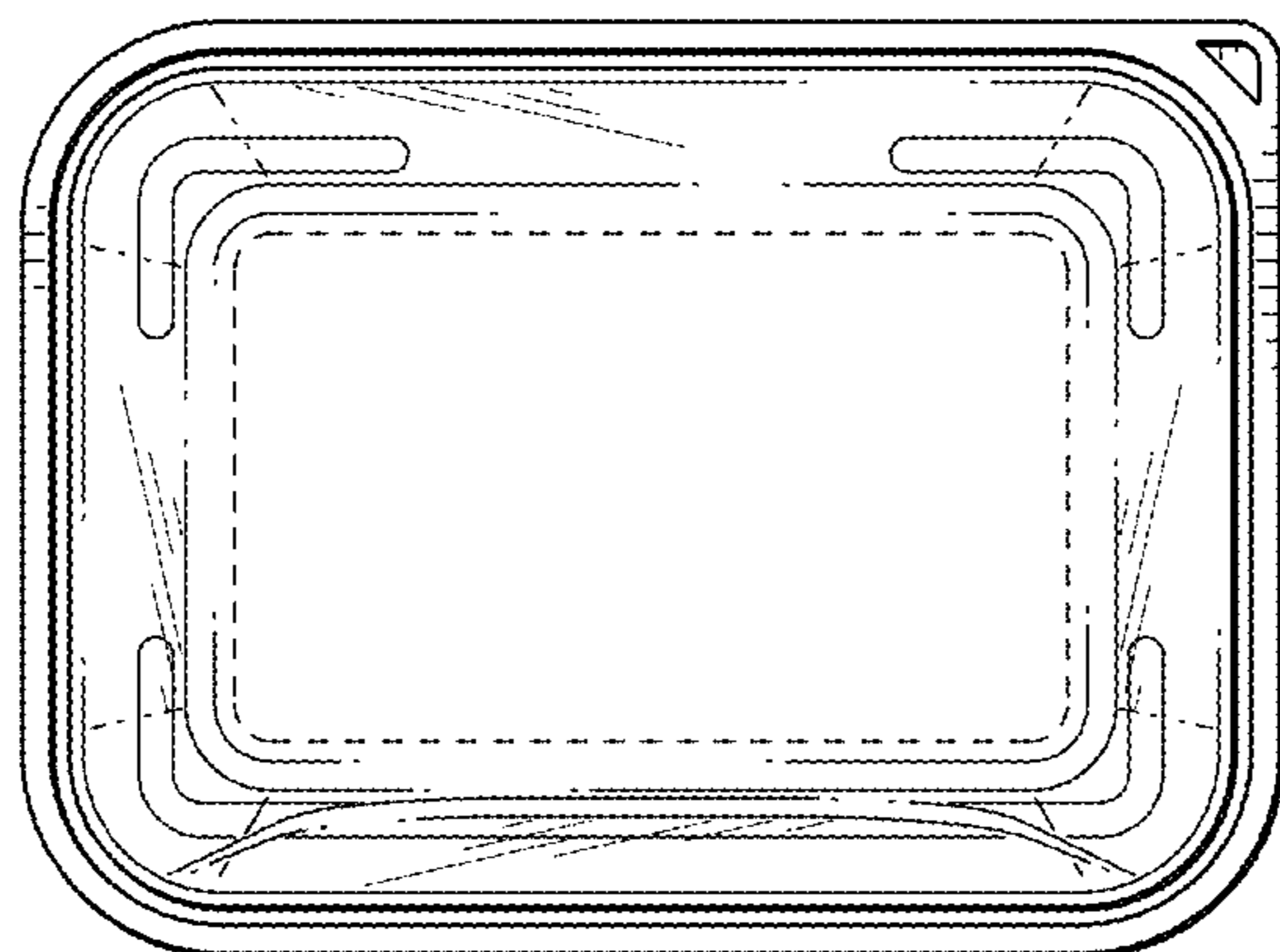


FIG. 6

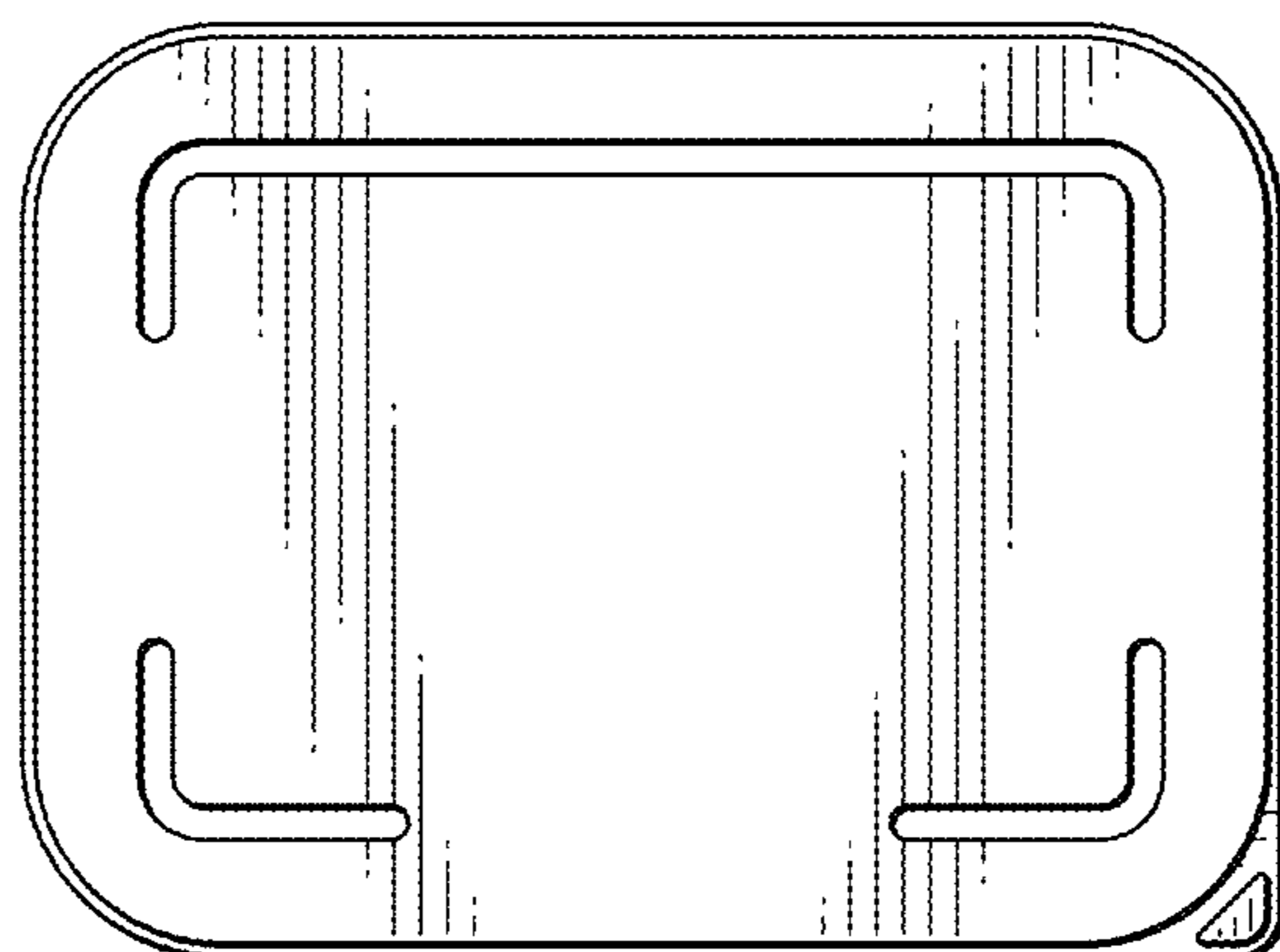


FIG. 7