



US00D692296S

(12) **United States Design Patent**  
**Cooper**

(10) **Patent No.:** **US D692,296 S**

(45) **Date of Patent:** **\*\* Oct. 29, 2013**

(54) **CONTAINER**

(71) Applicant: **Typacks S.A.**, Santiago (CL)

(72) Inventor: **Peter McRostie Cooper**, Santiago (CL)

(73) Assignee: **Typack S.A.**, Santiago (CL)

(\*\*) Term: **14 Years**

(21) Appl. No.: **29/437,364**

(22) Filed: **Nov. 15, 2012**

(51) **LOC (9) Cl.** ..... **09-03**

(52) **U.S. Cl.**  
USPC ..... **D9/424**

(58) **Field of Classification Search**  
USPC ..... D9/414, 416, 418, 420-426, 428, 429,  
D9/430-433, 758, 762; D7/354, 545, 566,  
D7/601, 602, 630; 220/574, 495.03, 520,  
220/529, 62.13; 229/199, 87.02, 87.08,  
229/87.11, 406, 407  
See application file for complete search history.

(56) **References Cited**

**U.S. PATENT DOCUMENTS**

2,974,843	A *	3/1961	Reifers et al.	229/407
3,040,948	A *	6/1962	Wells	229/407
D199,593	S *	11/1964	Reifers	D9/425
D199,701	S *	12/1964	Kennedy	D9/425
D226,305	S *	2/1973	Wilkes	D9/758

D226,759	S *	4/1973	Boyd	D9/456
3,885,728	A *	5/1975	Gilley	229/407
3,986,655	A *	10/1976	Rynning	229/407
D245,070	S *	7/1977	Congleton	D9/425
4,349,146	A *	9/1982	Holden	229/407
D268,568	S *	4/1983	Holden	D9/425
4,533,585	A *	8/1985	Holden	428/116
D287,104	S *	12/1986	Holden	D9/425
D294,466	S *	3/1988	Culver	D9/425
D558,452	S *	1/2008	Richter	D3/304
D622,094	S *	8/2010	Sarnoff et al.	D7/354
D628,434	S *	12/2010	Sarnoff et al.	D7/359
7,921,992	B2 *	4/2011	LaRue et al.	206/204
D648,625	S *	11/2011	Golota et al.	D9/434
D667,681	S *	9/2012	Carsten	D7/359

\* cited by examiner

*Primary Examiner* — Susan Bennett Hattan

*Assistant Examiner* — Vy Koenig

(74) *Attorney, Agent, or Firm* — Birch, Stewart, Kolasch & Birch, LLP

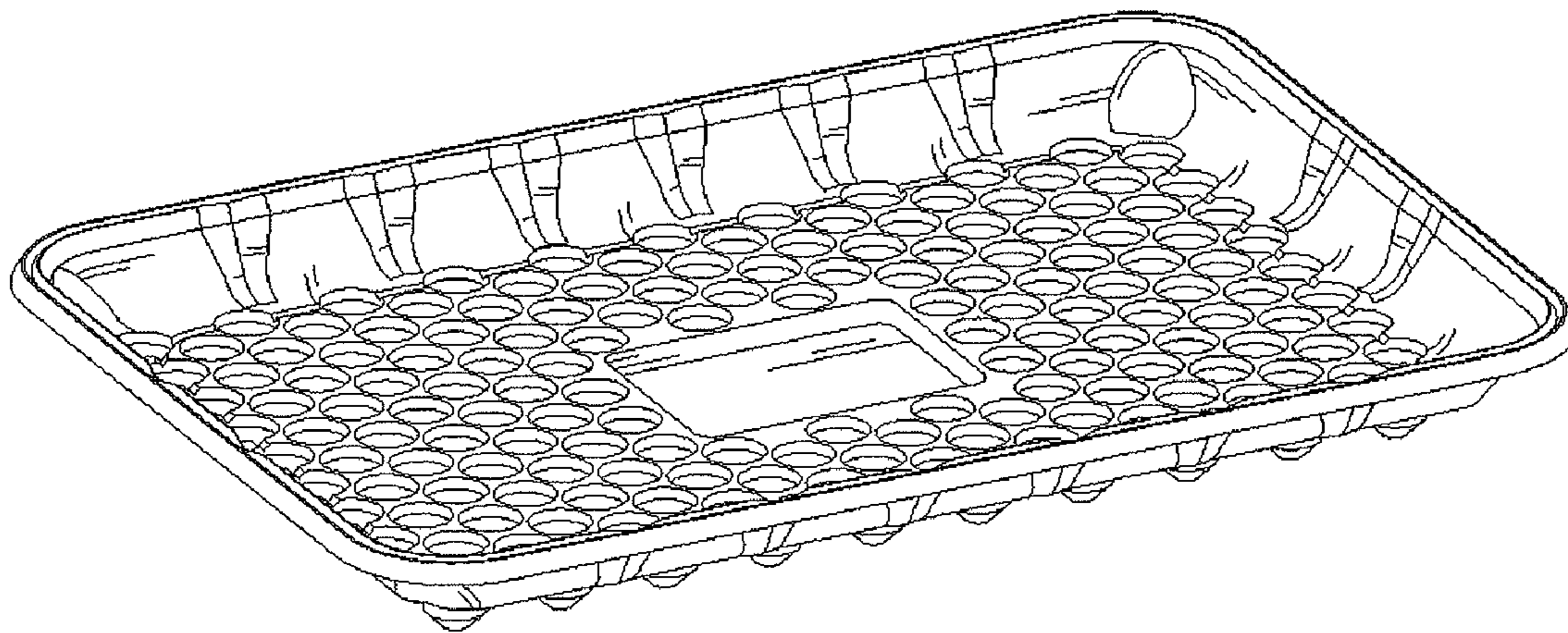
(57) **CLAIM**

The ornamental design for a container, as shown and described.

**DESCRIPTION**

FIG. 1 is a side view of a container showing my new design; FIG. 2 is a bottom perspective view thereof; FIG. 3 is a top perspective view thereof; FIG. 4 is an end view thereof; and, FIG. 5 is a top view thereof.

**1 Claim, 3 Drawing Sheets**



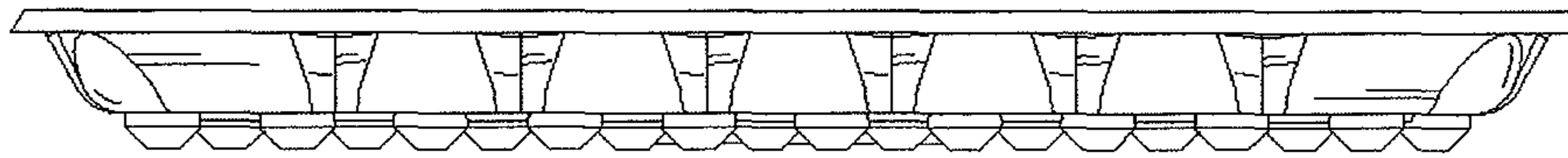


FIG. 1

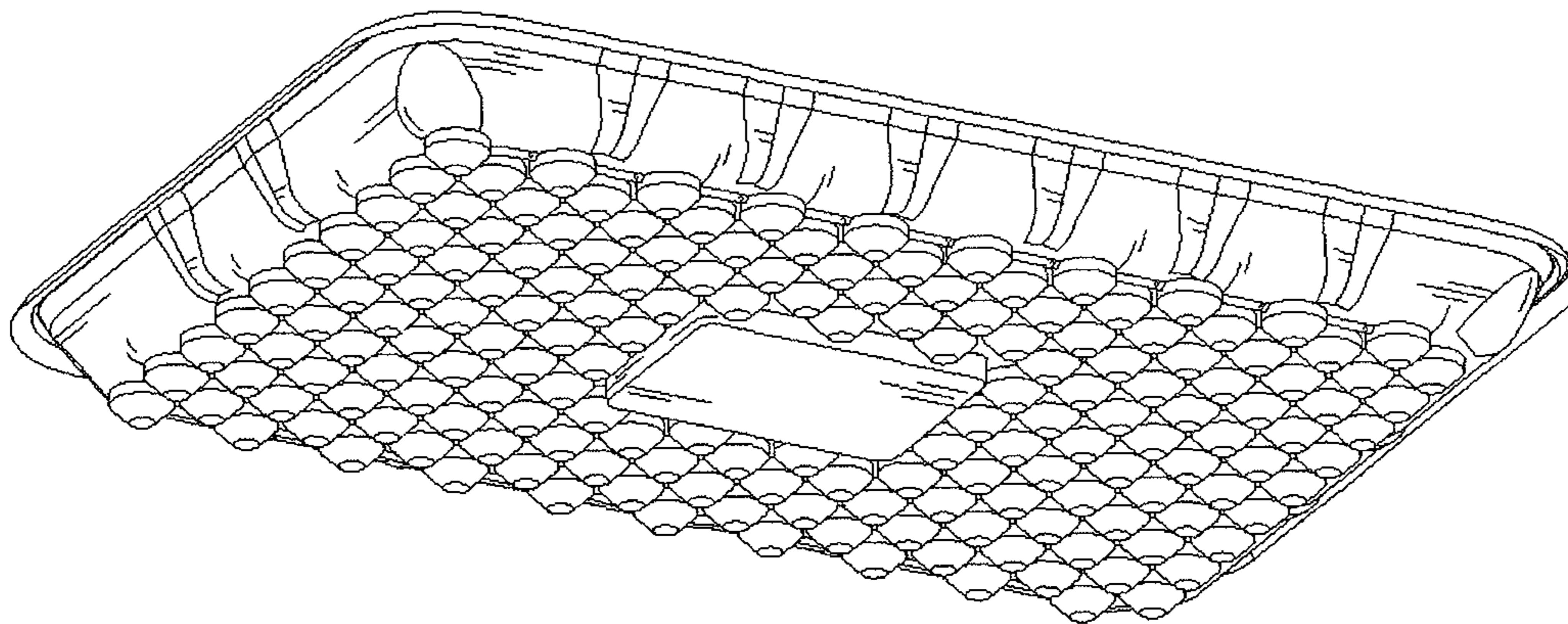


FIG. 2

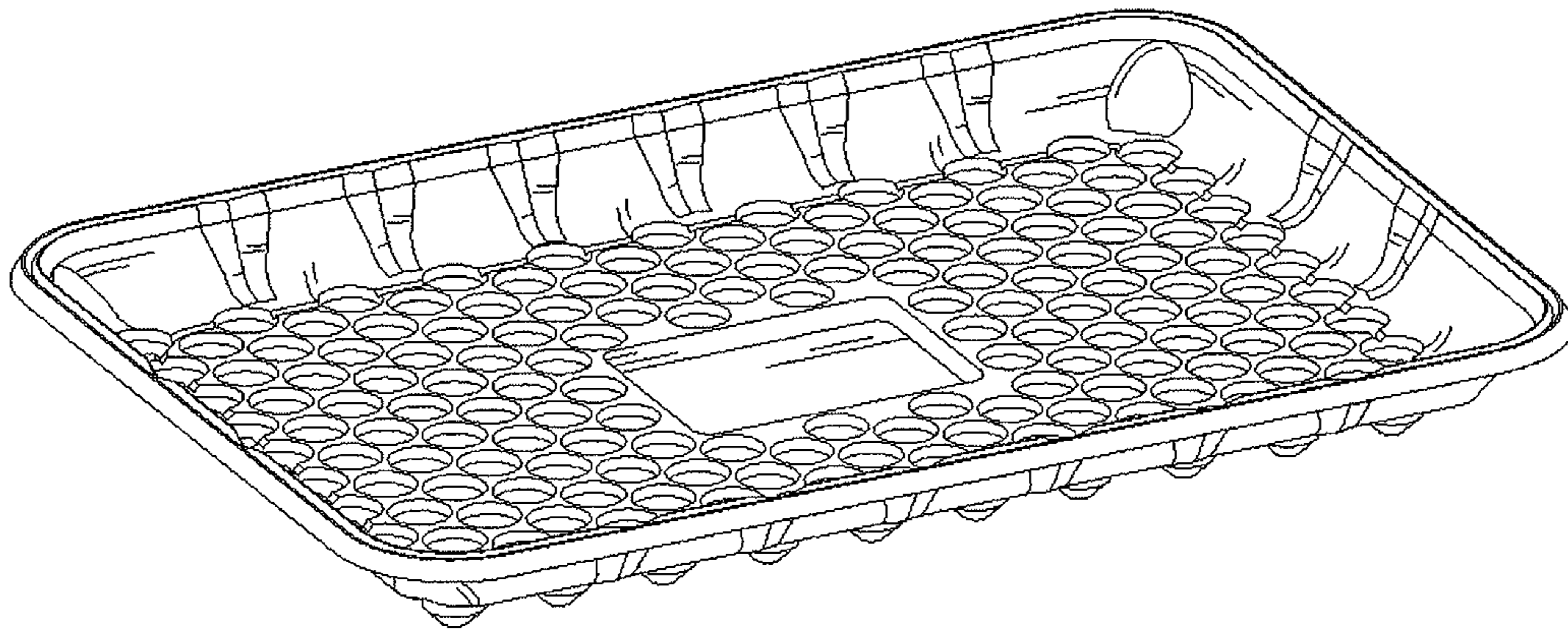


FIG. 3

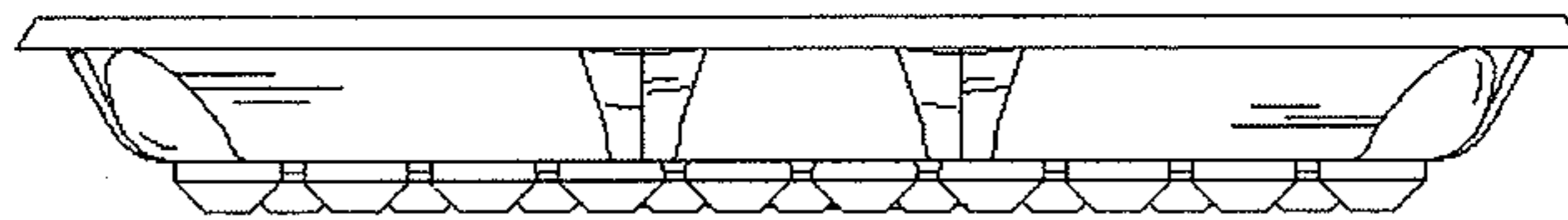


FIG. 4



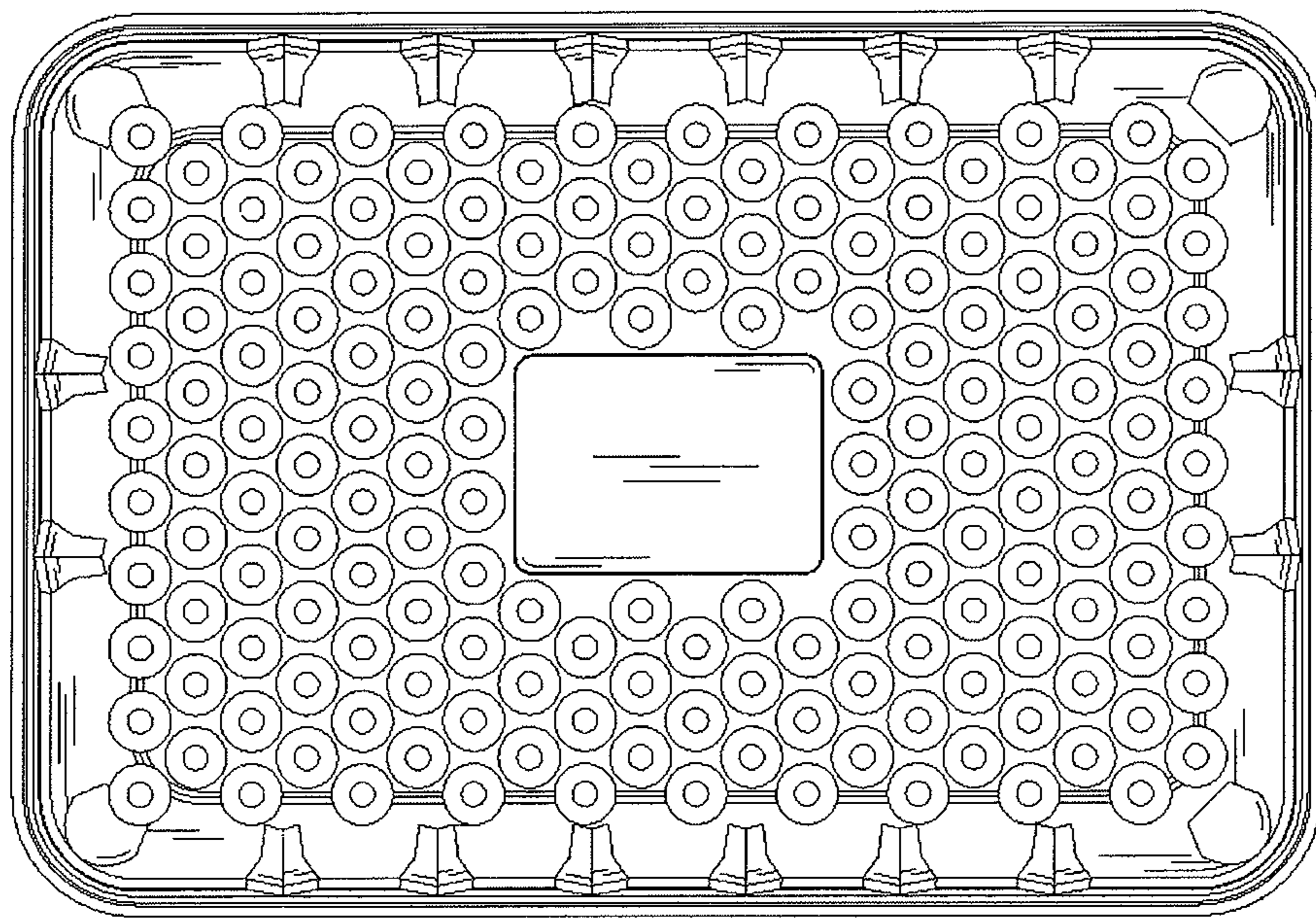


FIG. 5