

US00D692293S

(12) **United States Design Patent**
Toscani et al.

(10) **Patent No.:** **US D692,293 S**
(45) **Date of Patent:** **** Oct. 29, 2013**

(54) **CORD HOLDER**

(71) Applicants: **Gerry Toscani**, Moorestown, NJ (US);
Micah L. Maraia, Menomonie, WI (US)

(72) Inventors: **Gerry Toscani**, Moorestown, NJ (US);
Micah L. Maraia, Menomonie, WI (US)

(73) Assignee: **Paris Business Products, Inc.**,
Westampton, NJ (US)

(**) Term: **14 Years**

(21) Appl. No.: **29/443,703**

(22) Filed: **Jan. 22, 2013**

(51) **LOC (9) Cl.** **08-05**

(52) **U.S. Cl.**
USPC **D8/356**

(58) **Field of Classification Search**
USPC 439/207, 208, 209, 210, 211, 445, 446,
439/447; 248/68.1, 49, 74.4; 385/59, 137;
D8/356, 354, 349, 499; 604/179, 174,
604/93.01, 48, 19
See application file for complete search history.

(56) **References Cited**

U.S. PATENT DOCUMENTS

2,222,571	A *	11/1940	Osborne	428/11
2,367,836	A *	1/1945	Brown	16/2.1
2,603,429	A *	7/1952	Jaworowski et al.	242/405.1
2,903,669	A *	9/1959	Gilman et al.	439/369
3,062,475	A *	11/1962	Miller, Jr.	242/405.1
3,090,115	A *	5/1963	Carr	29/450
4,194,354	A *	3/1980	Terraillon	368/276
4,390,142	A *	6/1983	Cheng	242/388.1
4,796,377	A *	1/1989	Hosegood et al.	43/43.1
4,802,638	A *	2/1989	Burger et al.	242/388.1
D309,094	S *	7/1990	Donis et al.	D8/354
D377,142	S *	1/1997	Yang	D8/356
5,873,540	A *	2/1999	Hardin	242/405.1

5,987,709	A *	11/1999	Chou	24/116 A
D427,034	S *	6/2000	Cyrell	D8/44
D456,692	S *	5/2002	Epstein	D8/356
D533,799	S *	12/2006	Thalhammer et al.	D10/106
7,303,162	B2 *	12/2007	Burke et al.	242/405.2
D591,678	S *	5/2009	Whitley et al.	D13/133
D595,120	S *	6/2009	Plowman	D8/356
7,546,969	B2 *	6/2009	Kuramoto	242/388.1
7,654,484	B2 *	2/2010	Mogensen et al.	242/402
2002/0145073	A1 *	10/2002	Swanson et al.	242/588.3
2003/0122023	A1 *	7/2003	Pitcher	242/388.1
2004/0045851	A1 *	3/2004	Watari	206/409
2005/0185400	A1 *	8/2005	Hsu	362/238

* cited by examiner

Primary Examiner — Cynthia Underwood

(74) *Attorney, Agent, or Firm* — Stuart M. Goldstein

(57) **CLAIM**

The ornamental design for a cord holder, as shown and described.

DESCRIPTION

FIG. 1 is a perspective view of the cord holder design of the present invention.

FIG. 2 is a top plan view of the cord holder design of the present invention.

FIG. 3 is a bottom plan view of the cord holder design of the present invention.

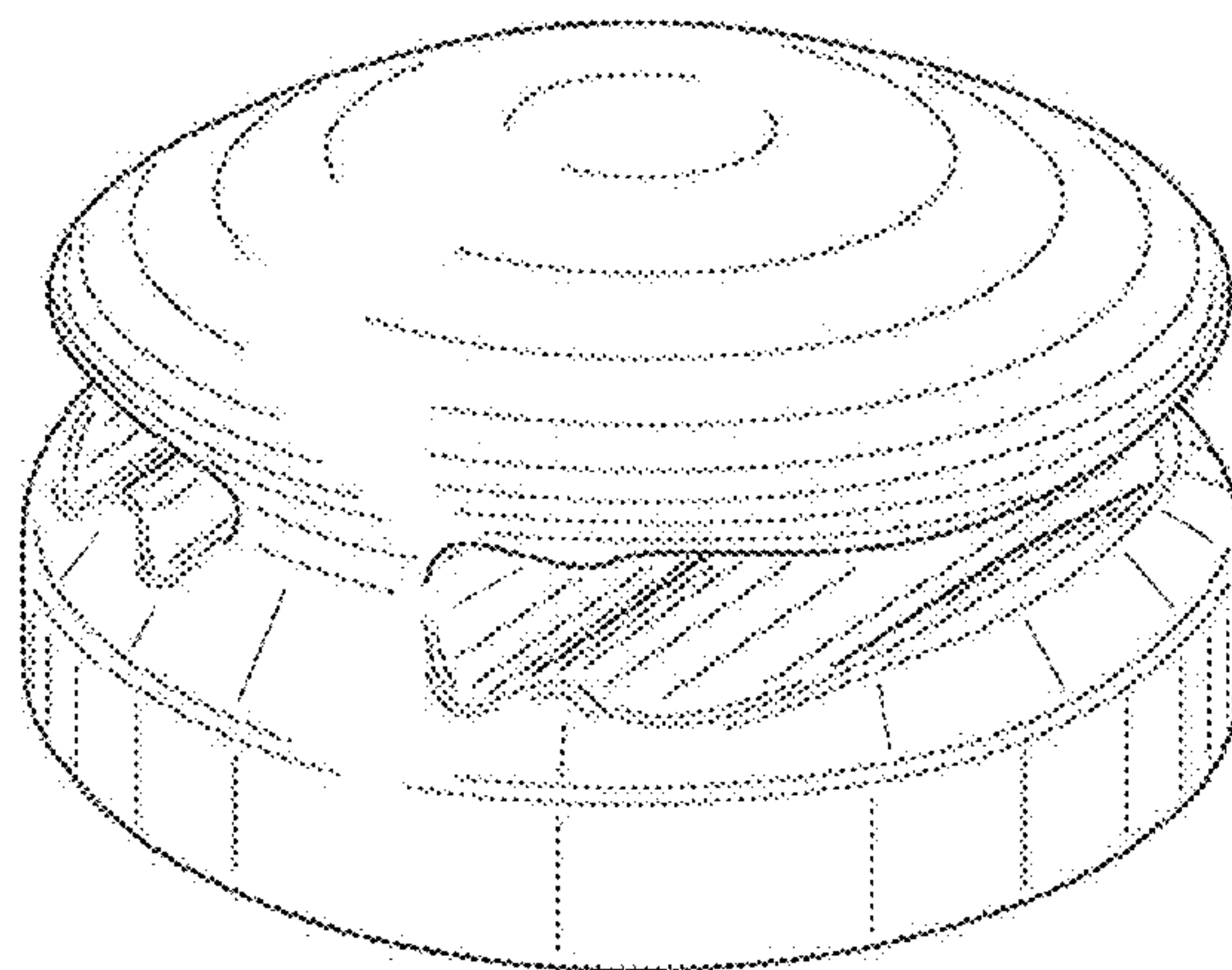
FIG. 4 is a lateral elevation view of the cord holder design of the present invention.

FIG. 5 is a lateral elevation view of the cord holder design of the present invention showing the opposite side to that which is shown in FIG. 4.

FIG. 6 is another lateral elevation view of the cord holder design of the present invention; and,

FIG. 7 is a lateral elevation view of the cord holder design of the present invention showing the side directly opposite to that which is shown in FIG. 6.

1 Claim, 4 Drawing Sheets



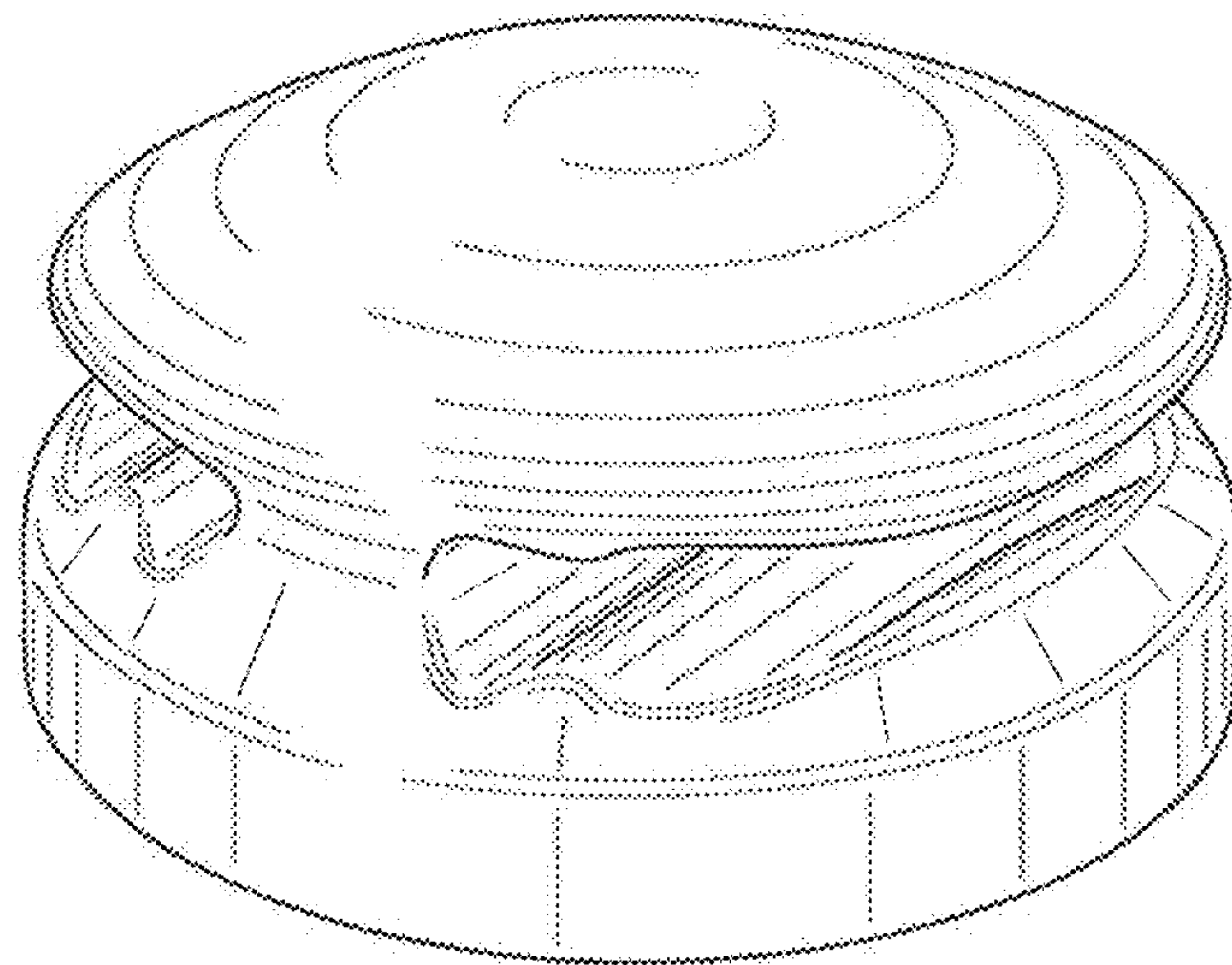


FIG. 1

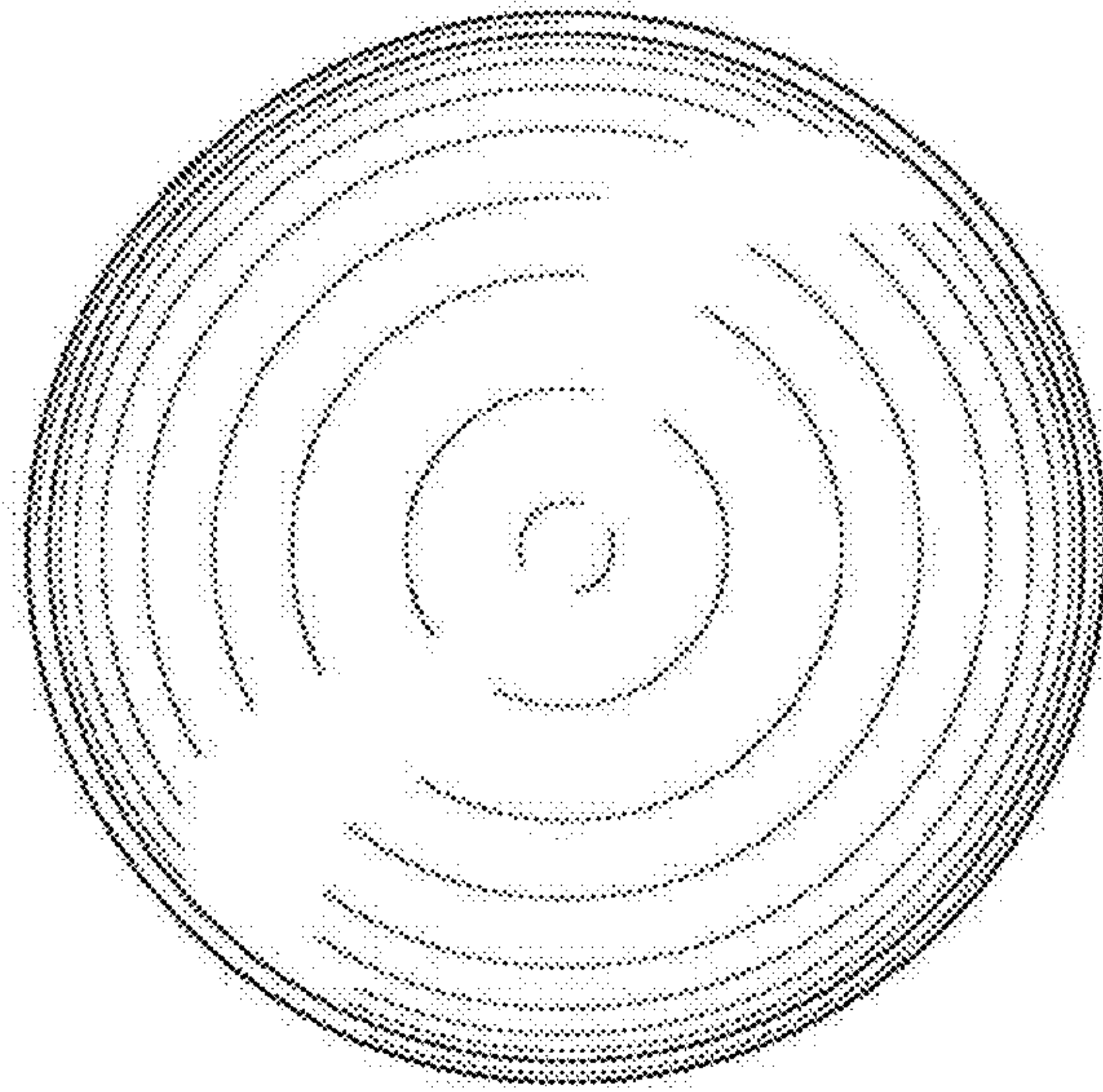


FIG. 2

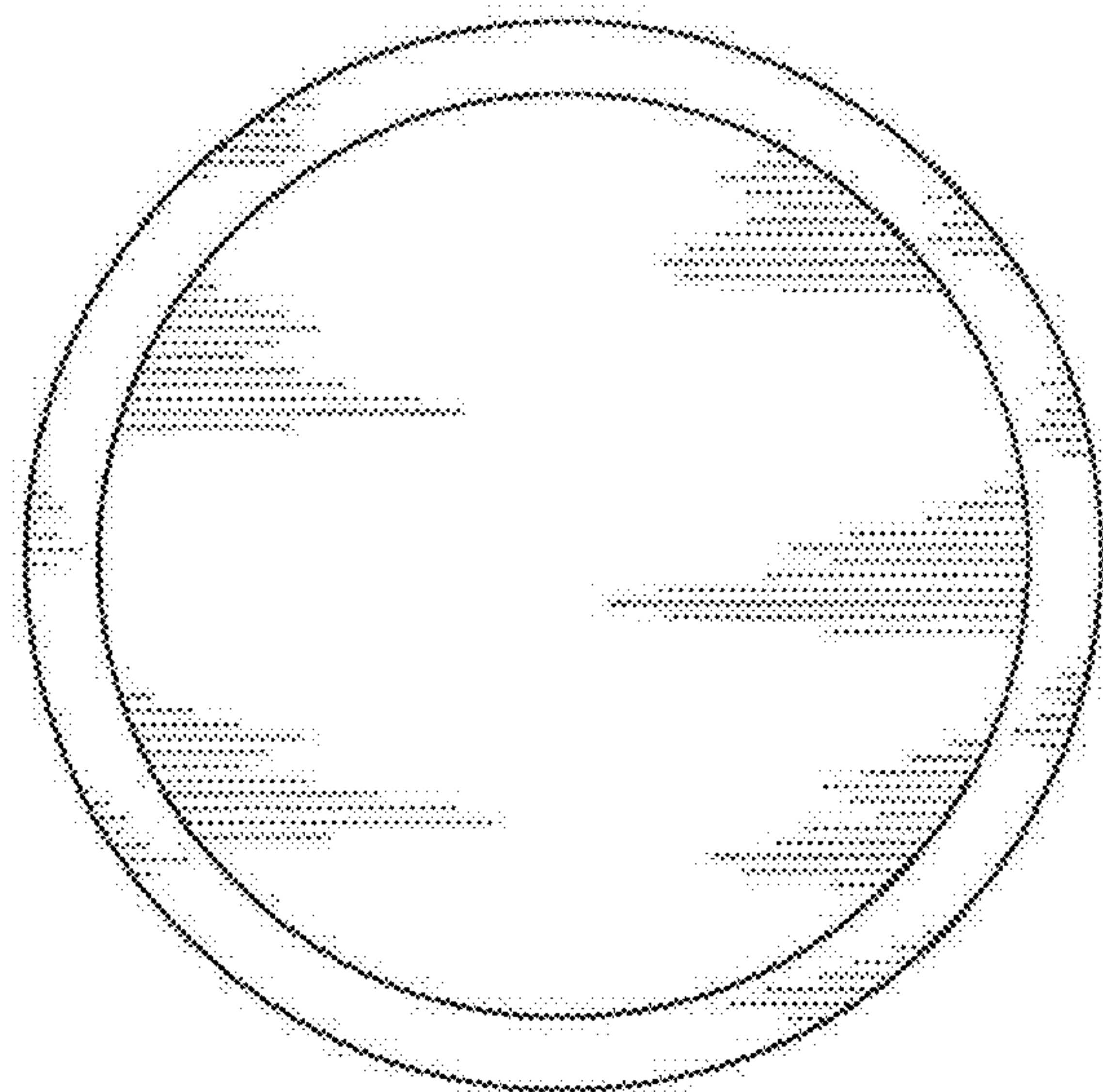


FIG. 3

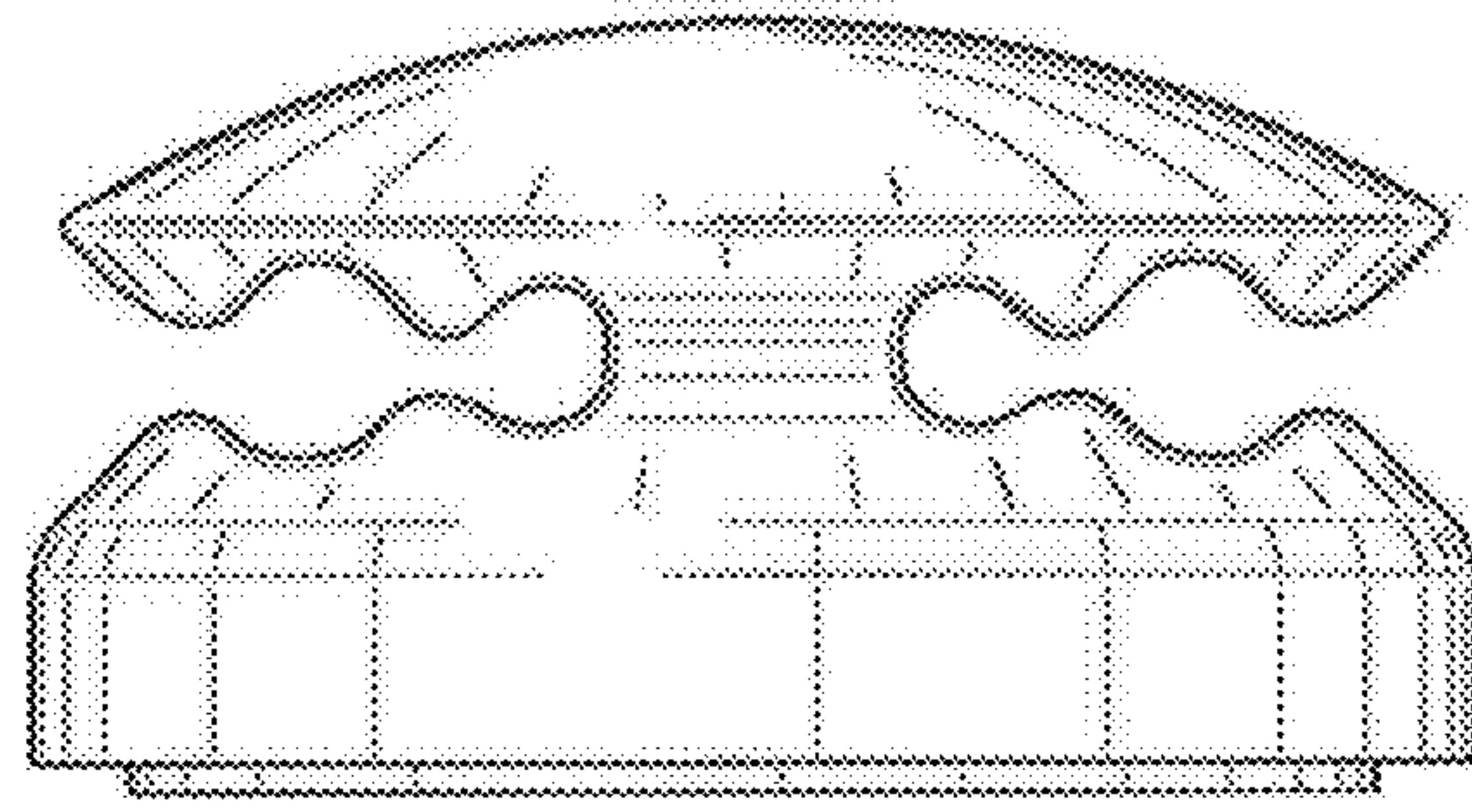


FIG. 4

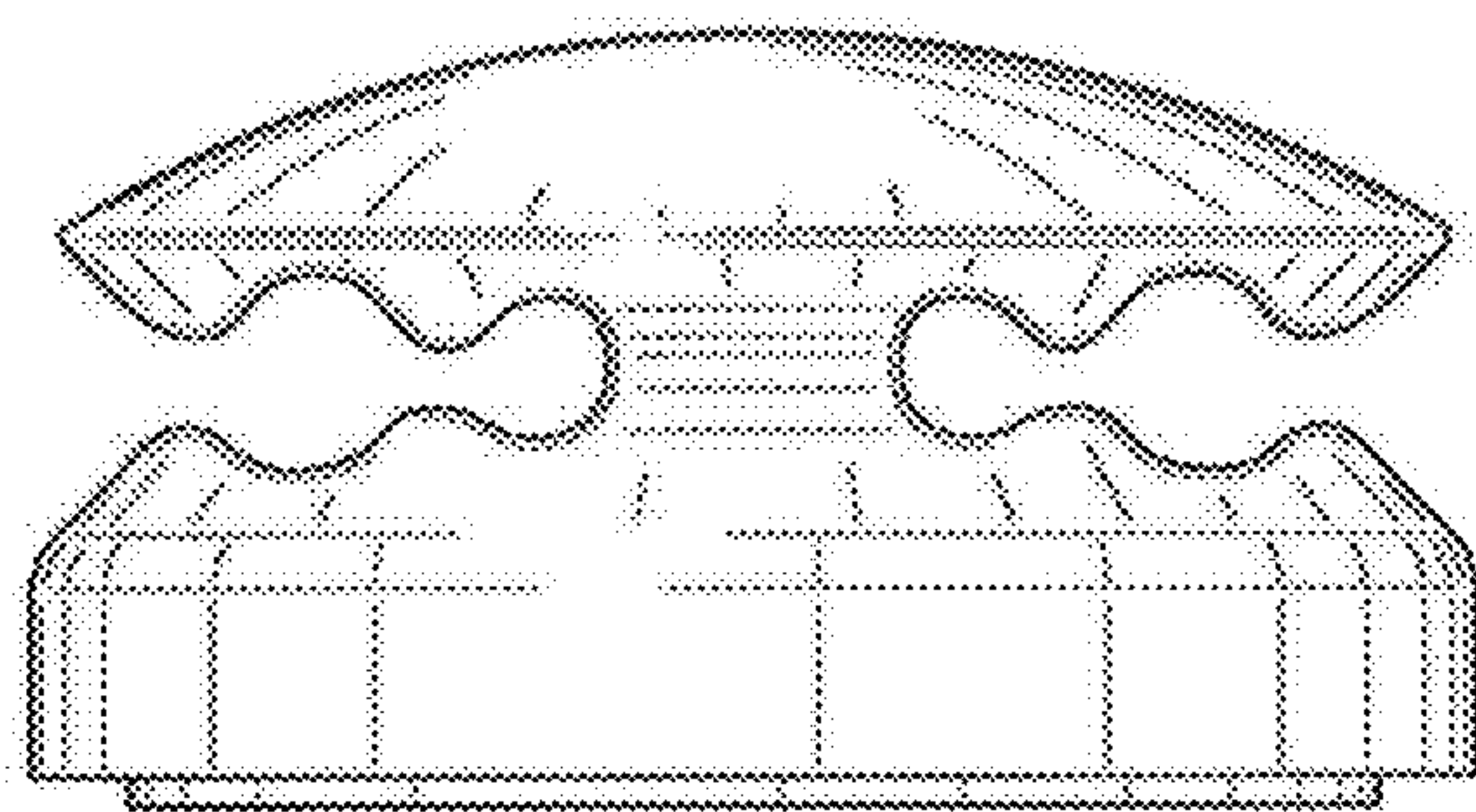


FIG. 5

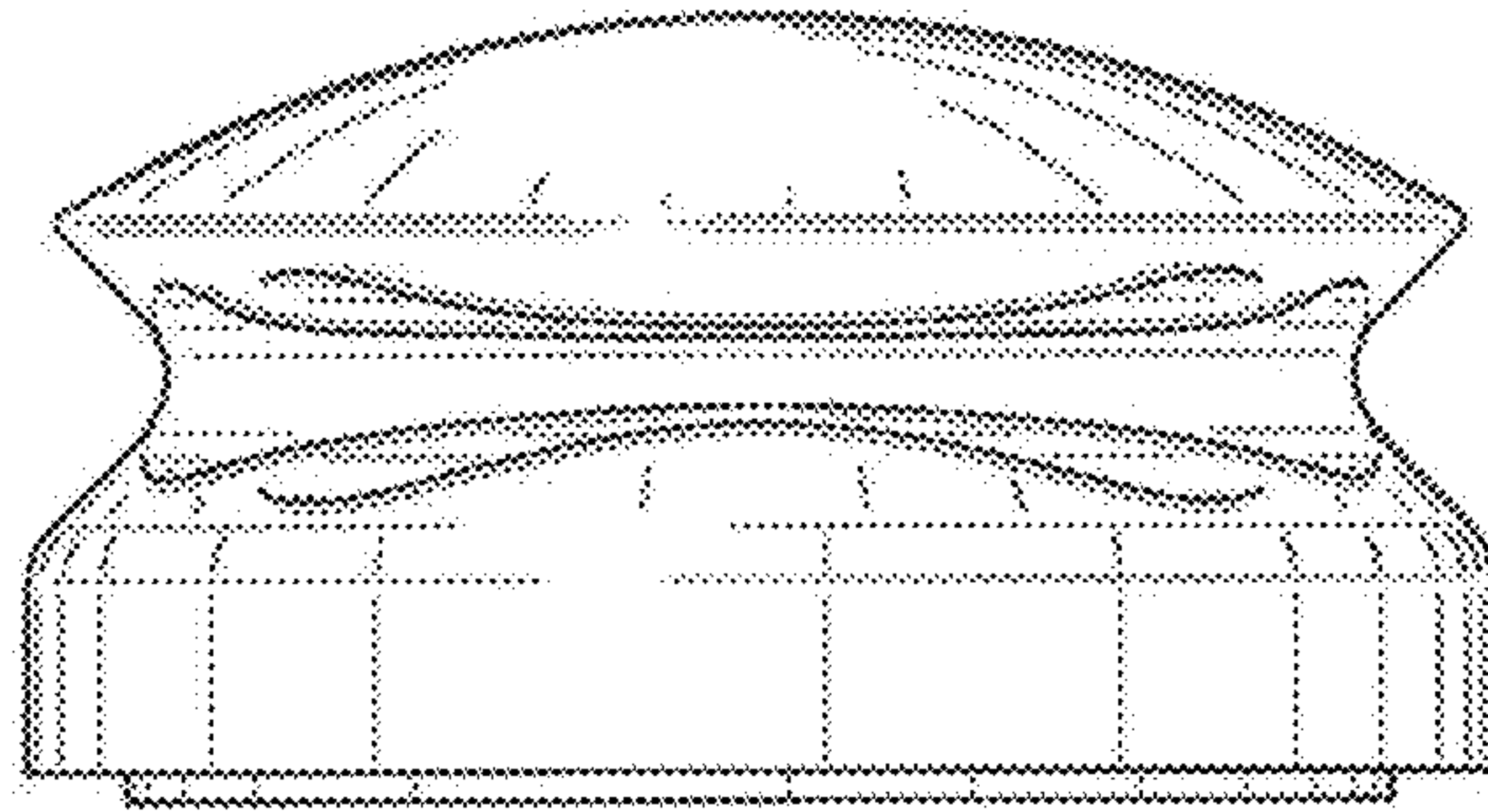


FIG. 6

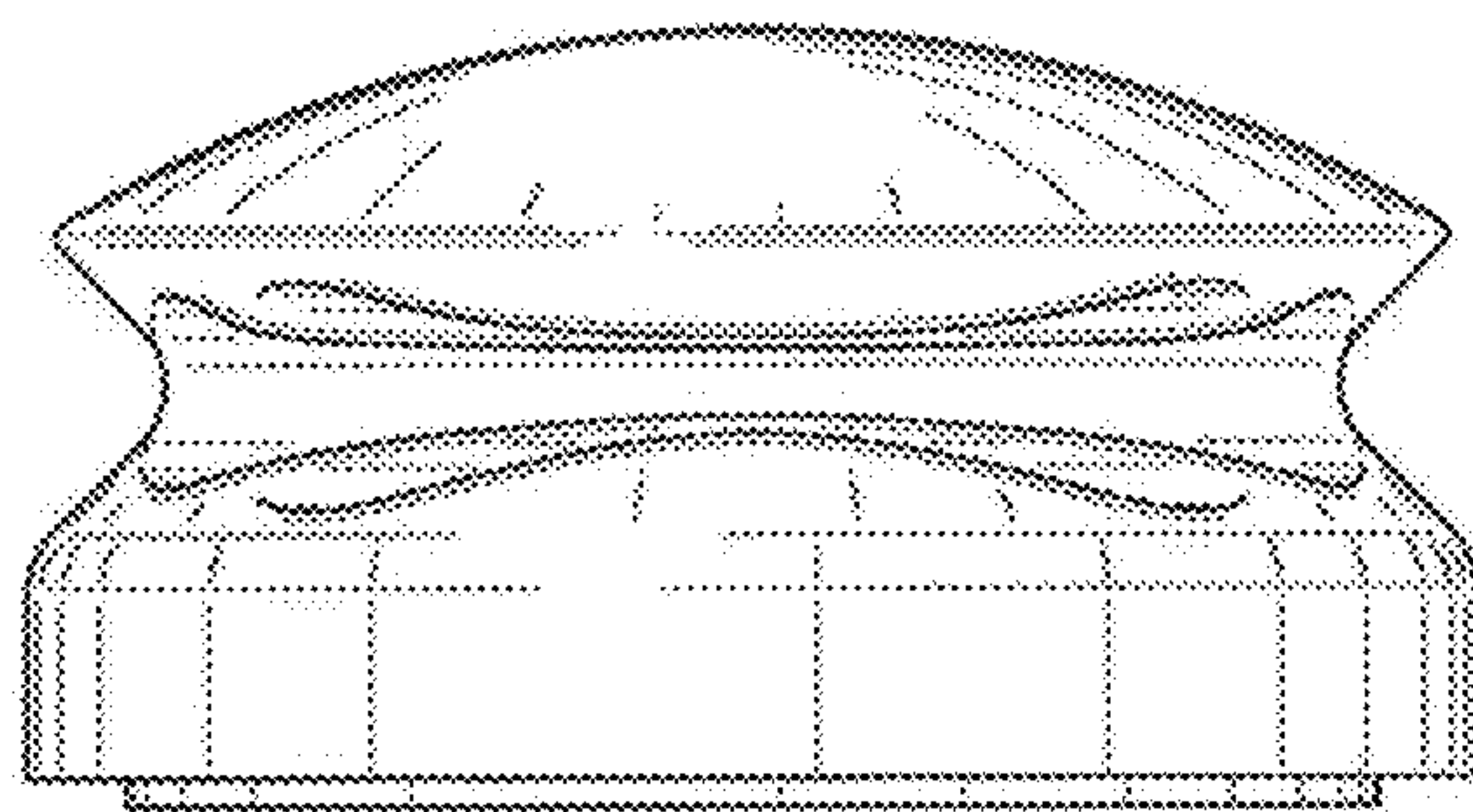


FIG. 7