



US00D692292S

(12) **United States Design Patent**
Soriano

(10) **Patent No.:** **US D692,292 S**
(45) **Date of Patent:** **** Oct. 29, 2013**

(54) **GROUND BRIDGE FOR A SUPPORT FRAME**

(75) Inventor: **Alex Soriano**, Atlanta, GA (US)

(73) Assignee: **Kids II, Inc.**, Atlanta, GA (US)

(**) Term: **14 Years**

(21) Appl. No.: **29/401,388**

(22) Filed: **Sep. 12, 2011**

(51) **LOC (9) Cl.** **08-08**

(52) **U.S. Cl.**
USPC **D8/349**

(58) **Field of Classification Search**
USPC D8/349, 354, 380, 382, 366, 363, 371,
D8/373, 376; 248/300, 237, 309.1, 200,
248/205.1, 207, 214, 235, 247, 351,
248/220.41; 52/188, 182, 191, 702, 712,
52/745.06, 189, 506.5, 586.1; 29/428,
29/525.01, 464; 249/14, 205, 208;
403/167, 169; 211/86.01, 90.01, 105.1,
211/193, 134; 108/152; 40/642.02;
D12/400, 223, 159; D15/21, 28;
D6/512, 682.5, 688.14, 688.15, 702,
D6/718.26, 331, 391, 382, 385, 392, 499,
D6/500, 716, 347, 329, 344; 5/99.1, 93.1,
5/98.1, 904; 472/118

See application file for complete search history.

(56) **References Cited**

U.S. PATENT DOCUMENTS

5,238,291	A *	8/1993	Alionis	297/118
6,520,862	B1 *	2/2003	Armbruster et al.	472/118
6,702,685	B2 *	3/2004	Mahlstedt et al.	472/118
6,824,472	B2 *	11/2004	Armbruster et al.	472/118
6,857,966	B2 *	2/2005	Armbruster et al.	472/118
6,872,146	B1 *	3/2005	Paesang et al.	472/119
6,887,161	B2 *	5/2005	Mahlstedt et al.	472/119
6,896,624	B2 *	5/2005	Longenecker et al.	472/119
7,052,403	B2 *	5/2006	Ransil et al.	472/118
7,081,052	B2 *	7/2006	Greger et al.	472/118
7,189,164	B1 *	3/2007	Paesang et al.	472/118

7,329,192	B2 *	2/2008	Gibree	472/119
7,354,352	B2 *	4/2008	Keska et al.	472/119
7,445,559	B2 *	11/2008	Kakuda	472/118
7,506,922	B2 *	3/2009	Schulte et al.	297/131
7,789,762	B2 *	9/2010	Greger et al.	472/119
D637,827	S *	5/2011	Horn et al.	D6/344
D637,828	S *	5/2011	Horn et al.	D6/344
7,938,731	B2 *	5/2011	Papageorge et al.	472/29
D645,264	S *	9/2011	Wiegmann et al.	D6/339
D651,817	S *	1/2012	Horn et al.	D6/344
8,205,943	B2 *	6/2012	Zhong	297/274
D680,764	S *	4/2013	Chen	D6/344

(Continued)

Primary Examiner — Mark Goodwin

(74) *Attorney, Agent, or Firm* — Alston & Bird LLP

(57) **CLAIM**

I claim the ornamental design for a ground bridge for a support frame, as shown and described.

DESCRIPTION

FIG. 1 is a perspective view of a ground bridge for a support frame illustrated in the environment of a swing support frame showing my new design;

FIG. 2 is a front side elevation view thereof;

FIG. 3 is a rear side elevation view thereof;

FIG. 4 is a left side elevation view thereof;

FIG. 5 is a top plan view thereof;

FIG. 6 is a bottom plan view thereof;

FIG. 7 is a perspective view of the ground bridge for a support frame shown in FIG. 1;

FIG. 8 is a front side elevation view thereof;

FIG. 9 is a rear side elevation view thereof;

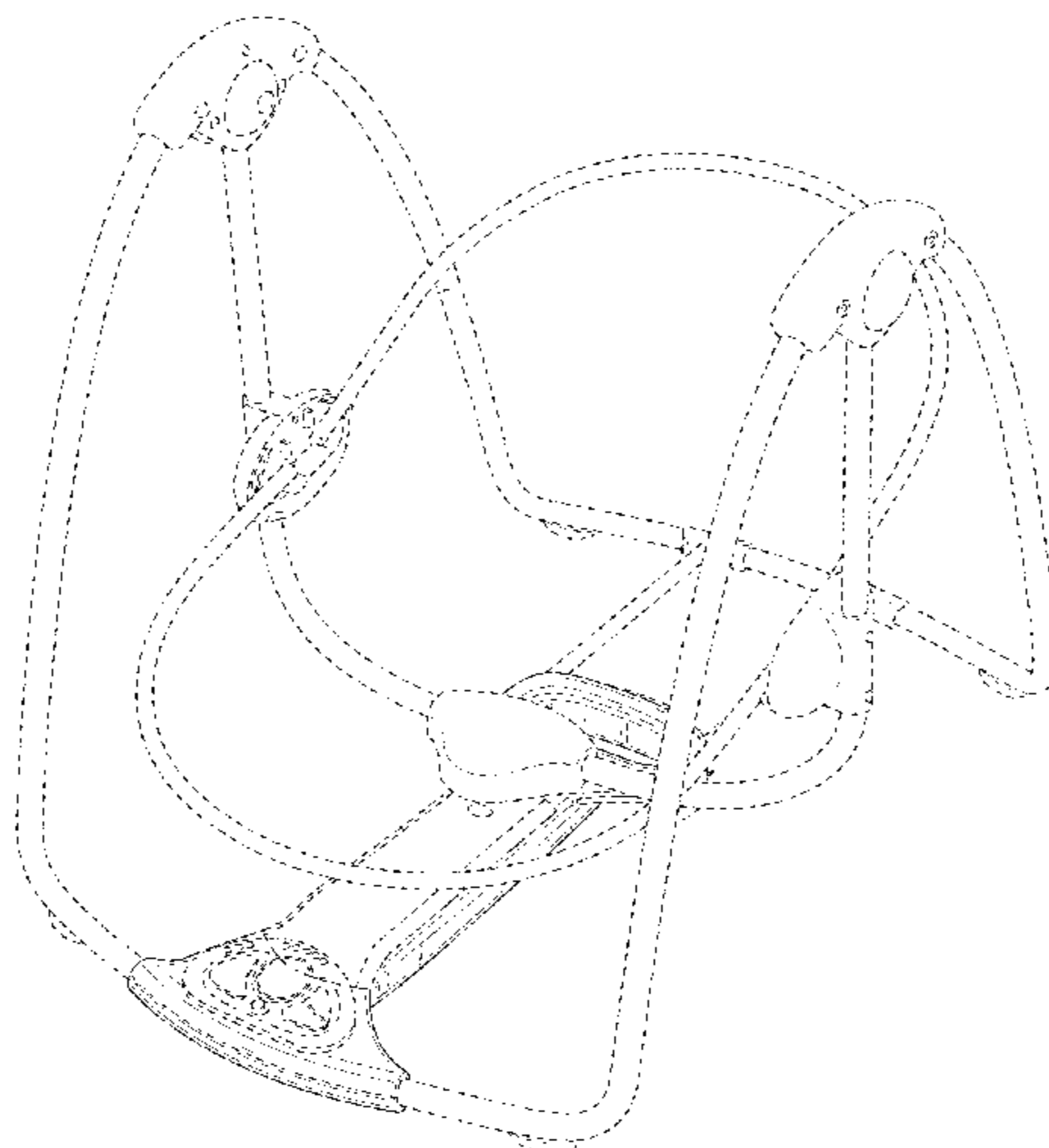
FIG. 10 is a left side elevation view thereof;

FIG. 11 is a top plan view thereof; and,

FIG. 12 is a bottom plan view thereof.

The broken lines immediately adjacent solid lines represent bounds of the claimed design and environment while all other broken lines are directed to environment and are for illustrative purposes only. The broken lines form no part of the claimed design.

1 Claim, 11 Drawing Sheets



US D692,292 S

Page 2

(56)

References Cited

2008/0146359 A1* 6/2008 Godiska 472/119
2013/0012329 A1* 1/2013 Burns et al. 472/118

U.S. PATENT DOCUMENTS

2005/0143181 A1* 6/2005 Armbruster et al. 472/118 * cited by examiner

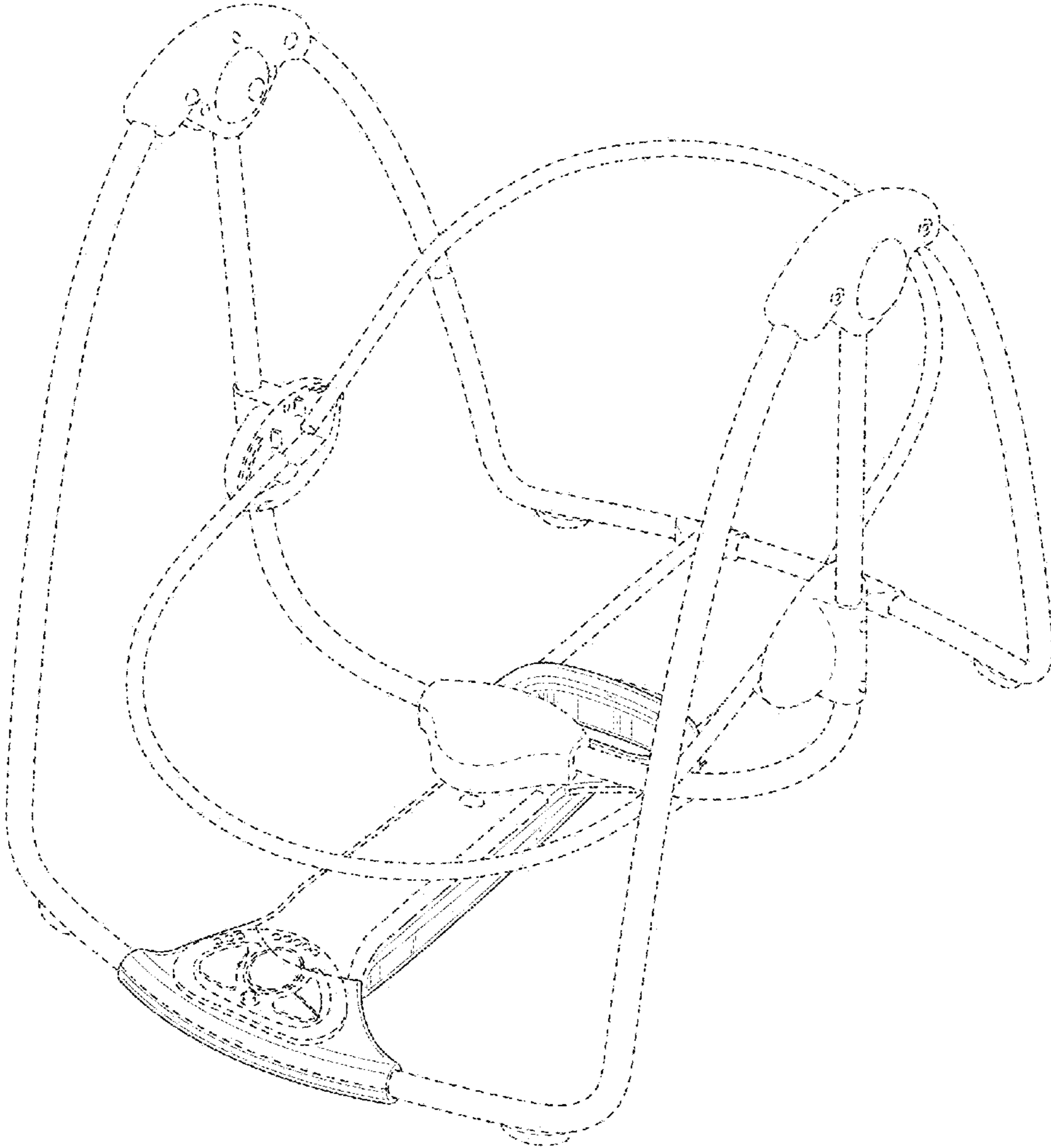


FIG. 1

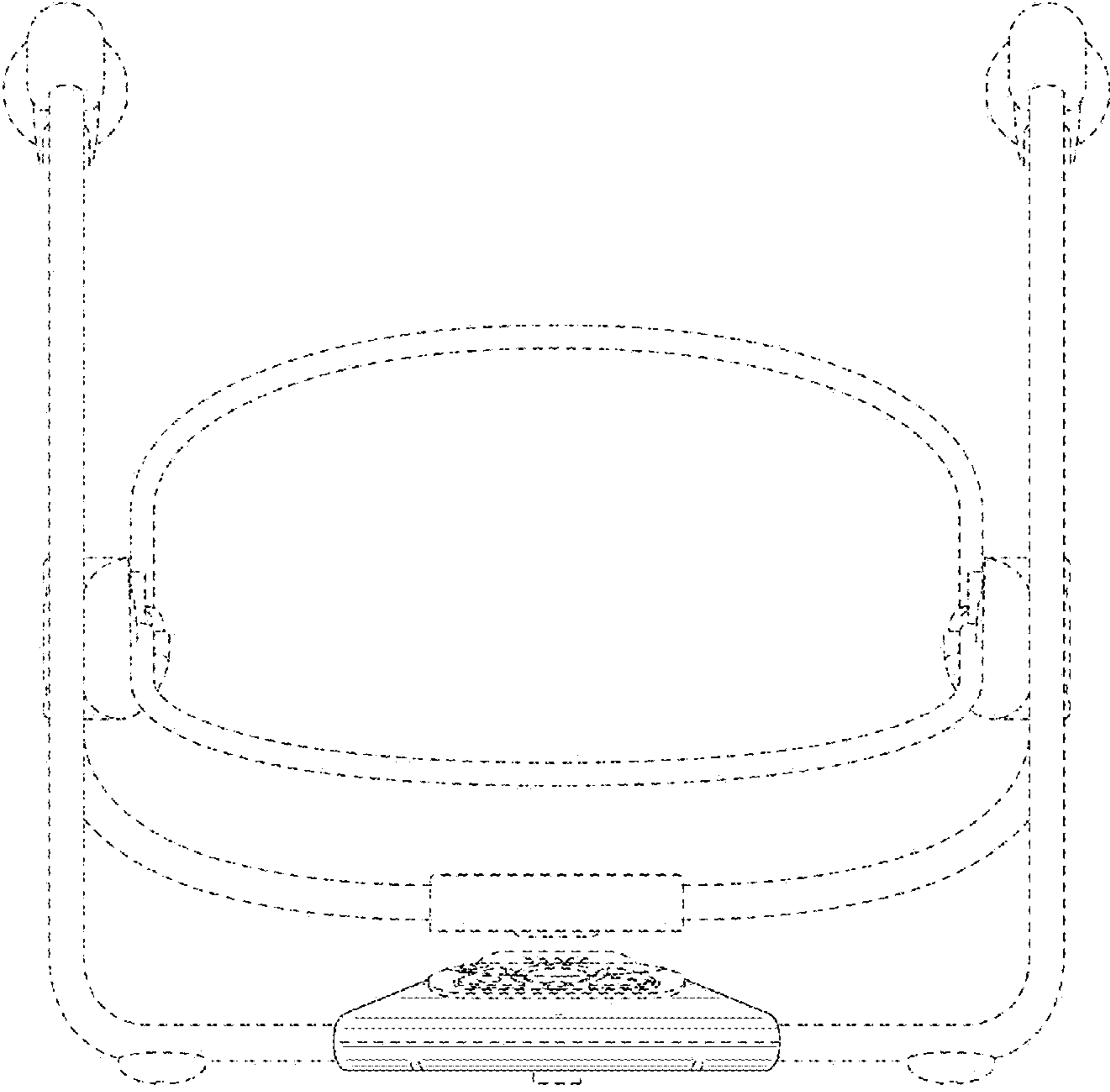


FIG. 2

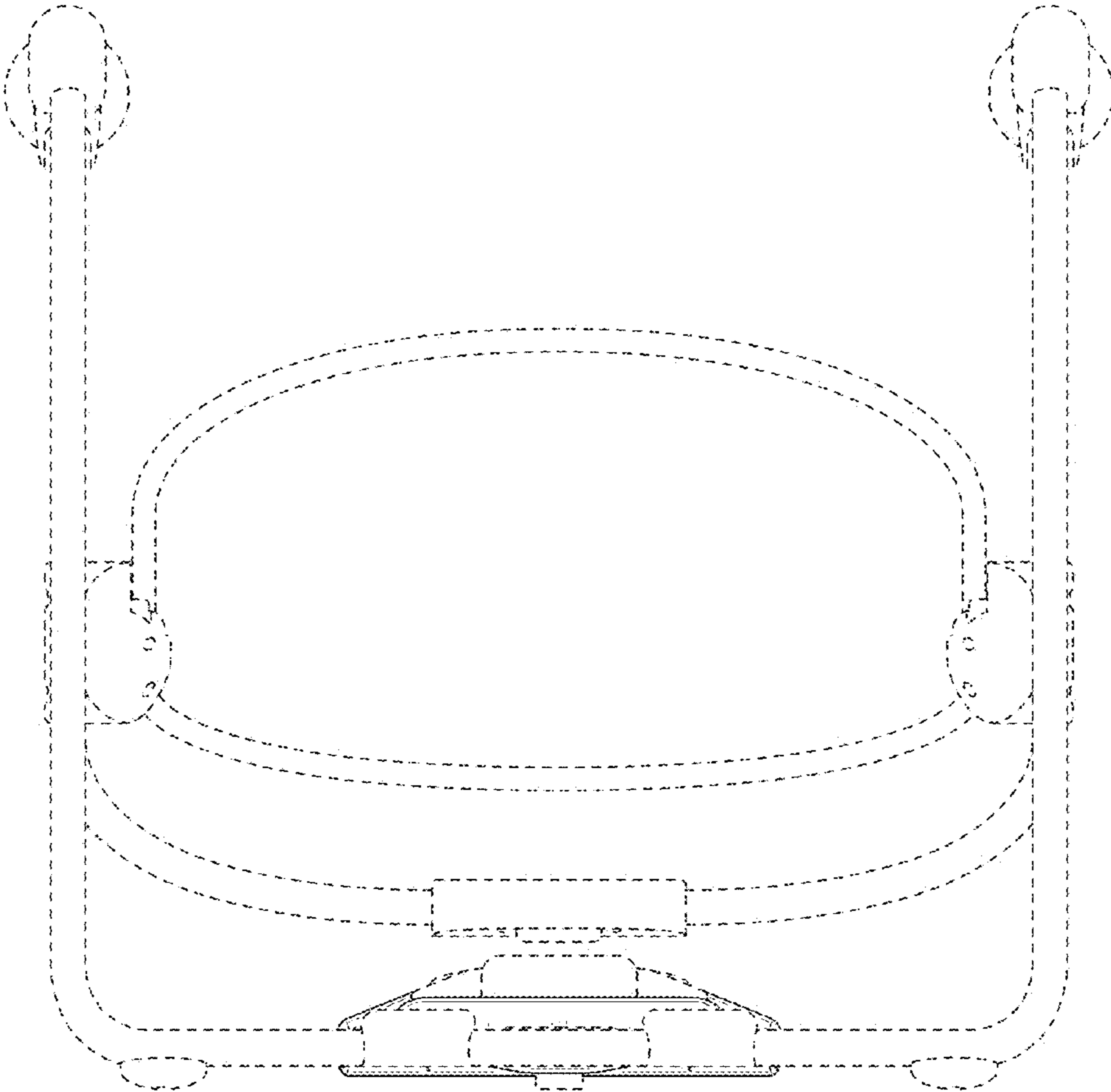


FIG. 3

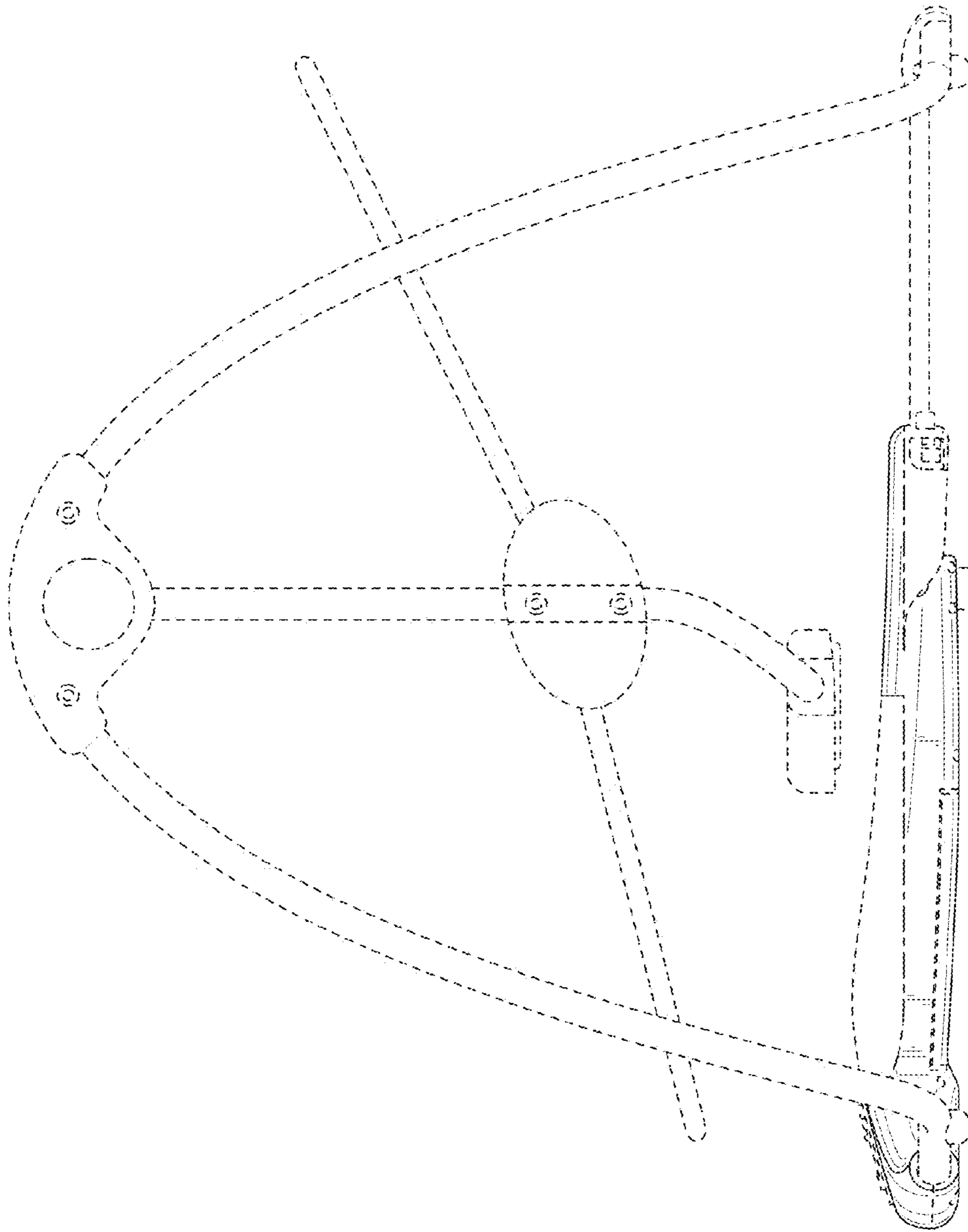


FIG. 4

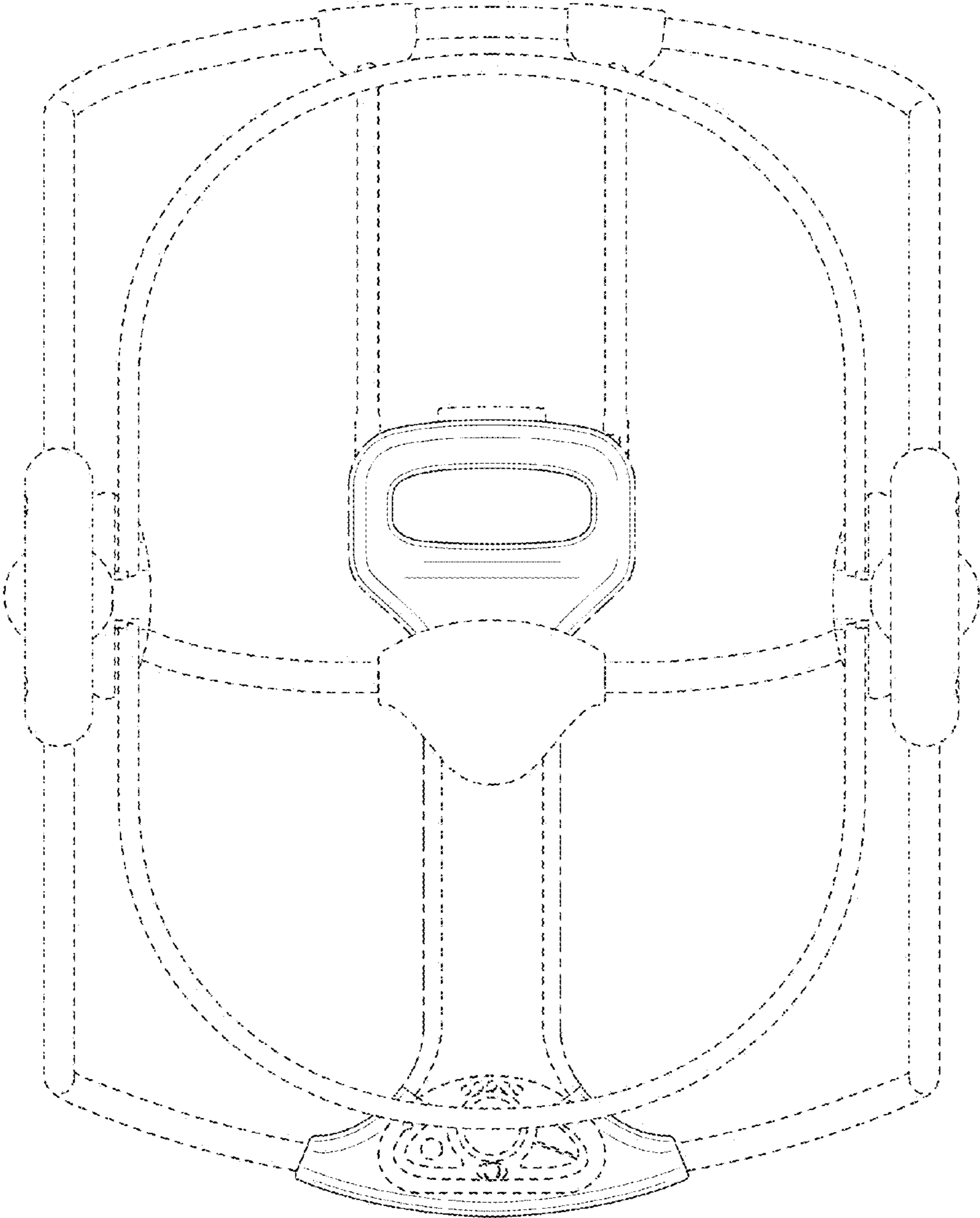


FIG. 5

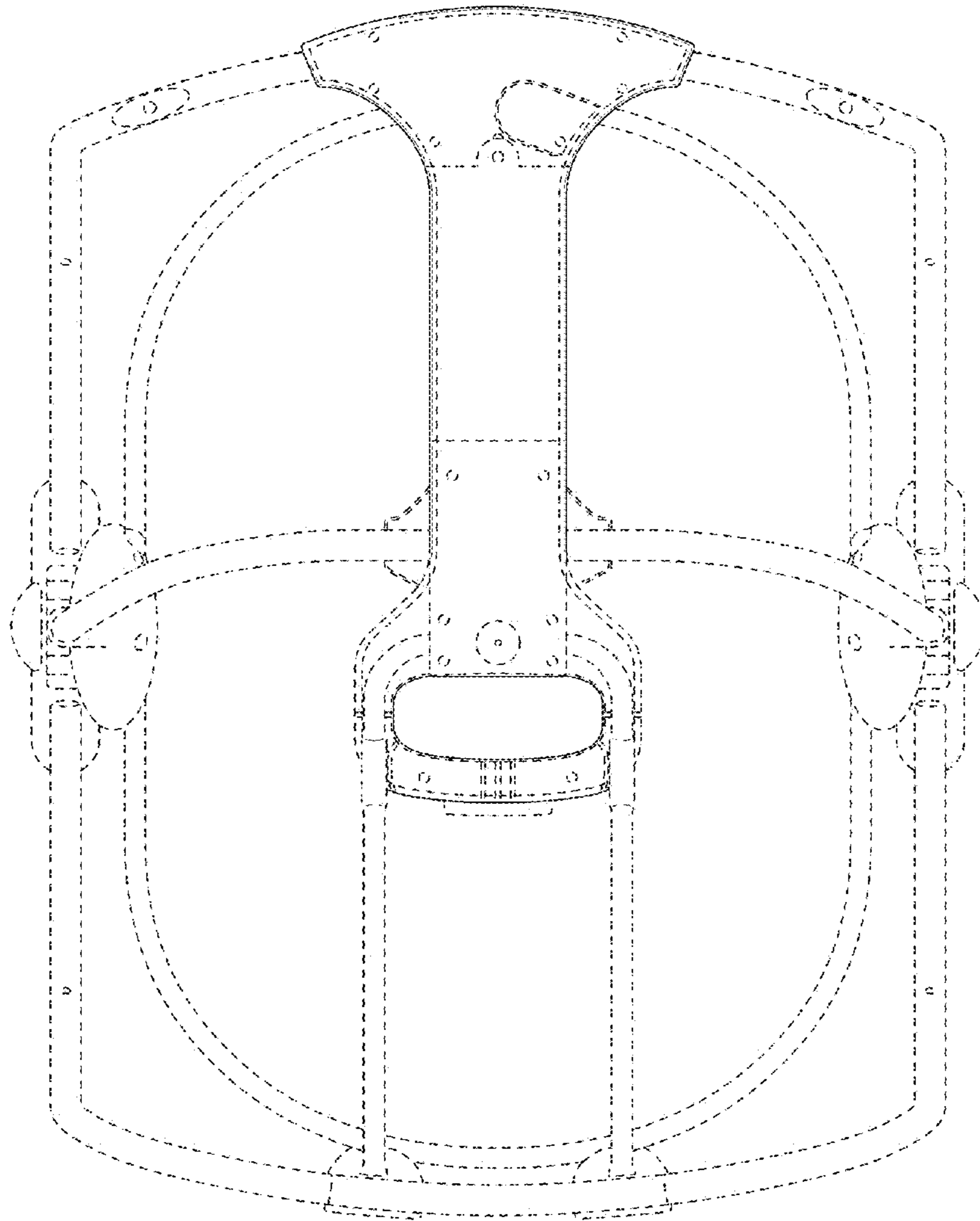


FIG. 6

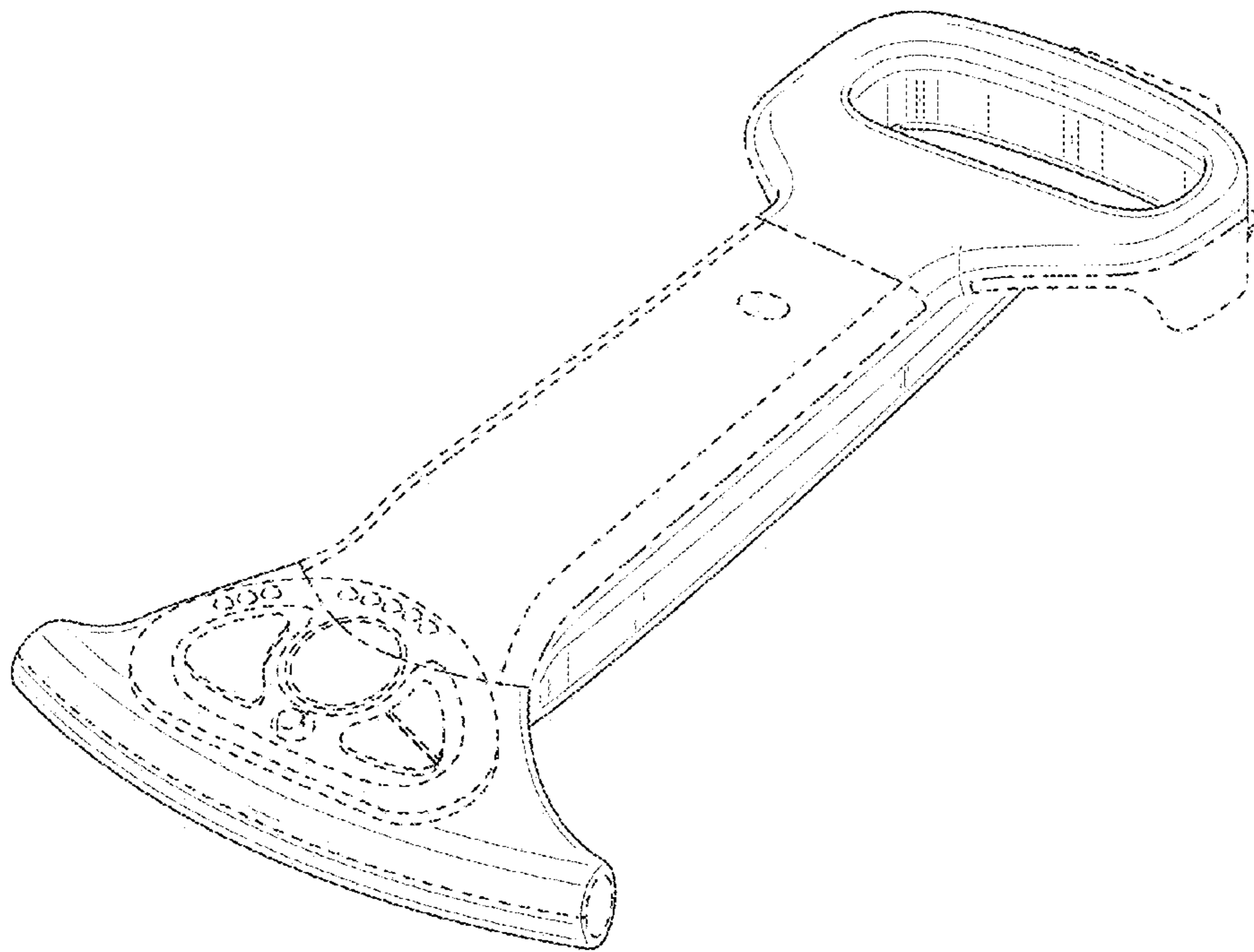


FIG. 7

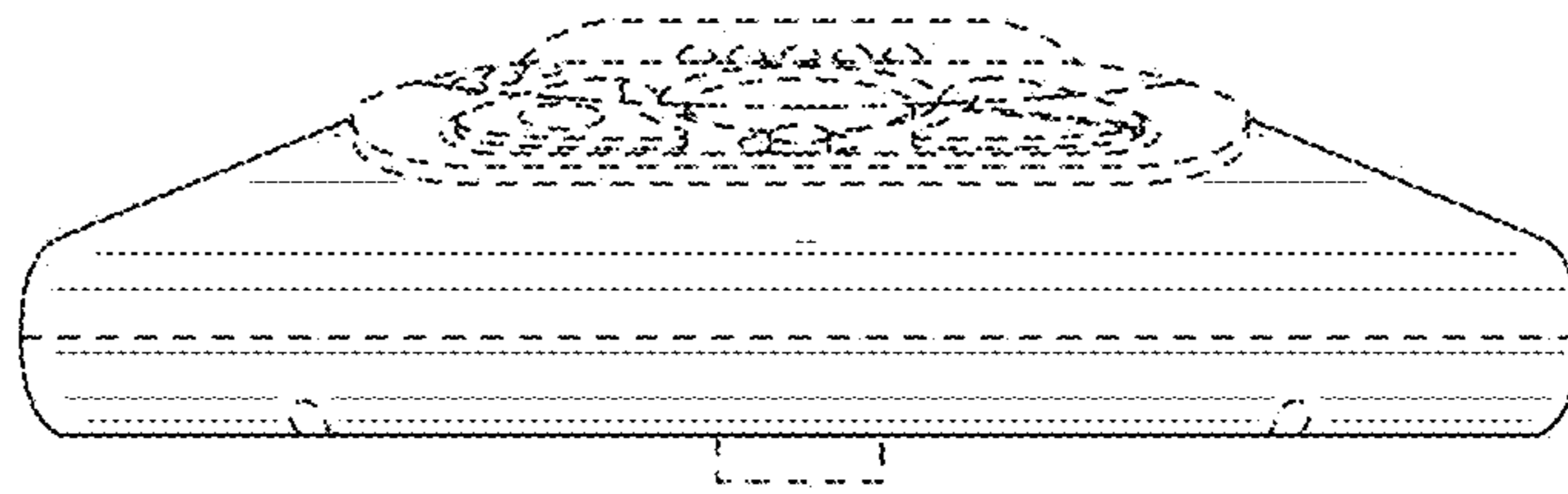


FIG. 8

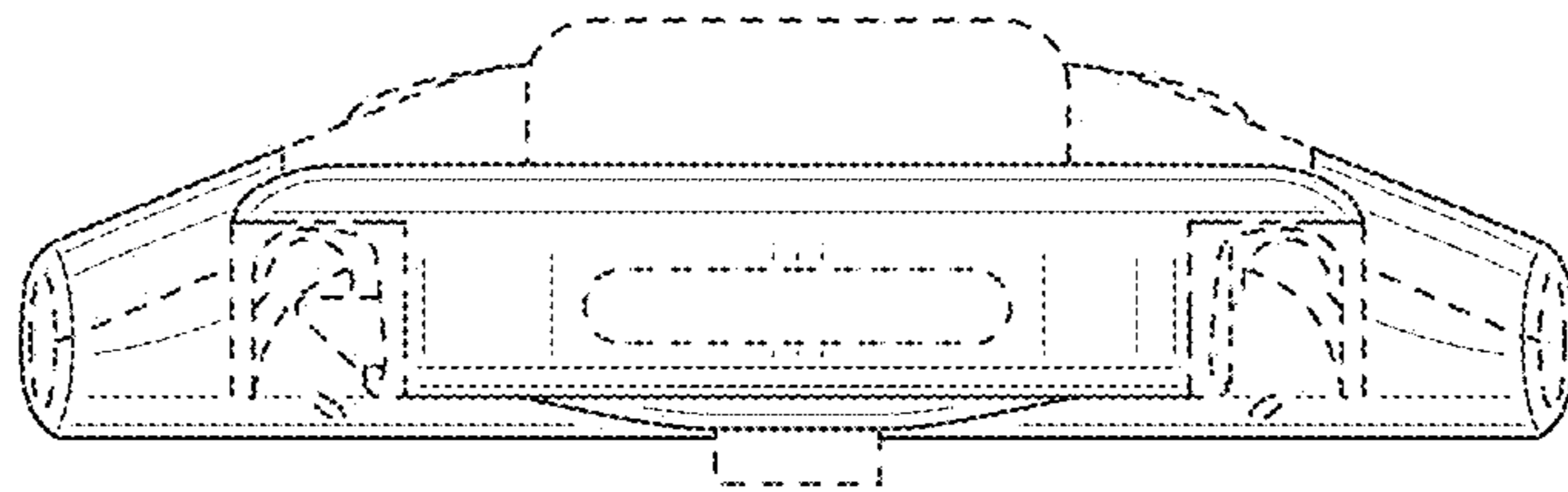


FIG. 9

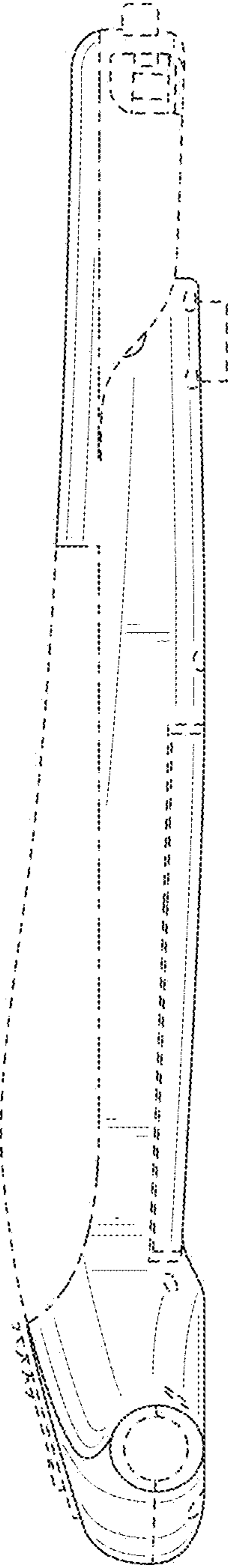


FIG. 10

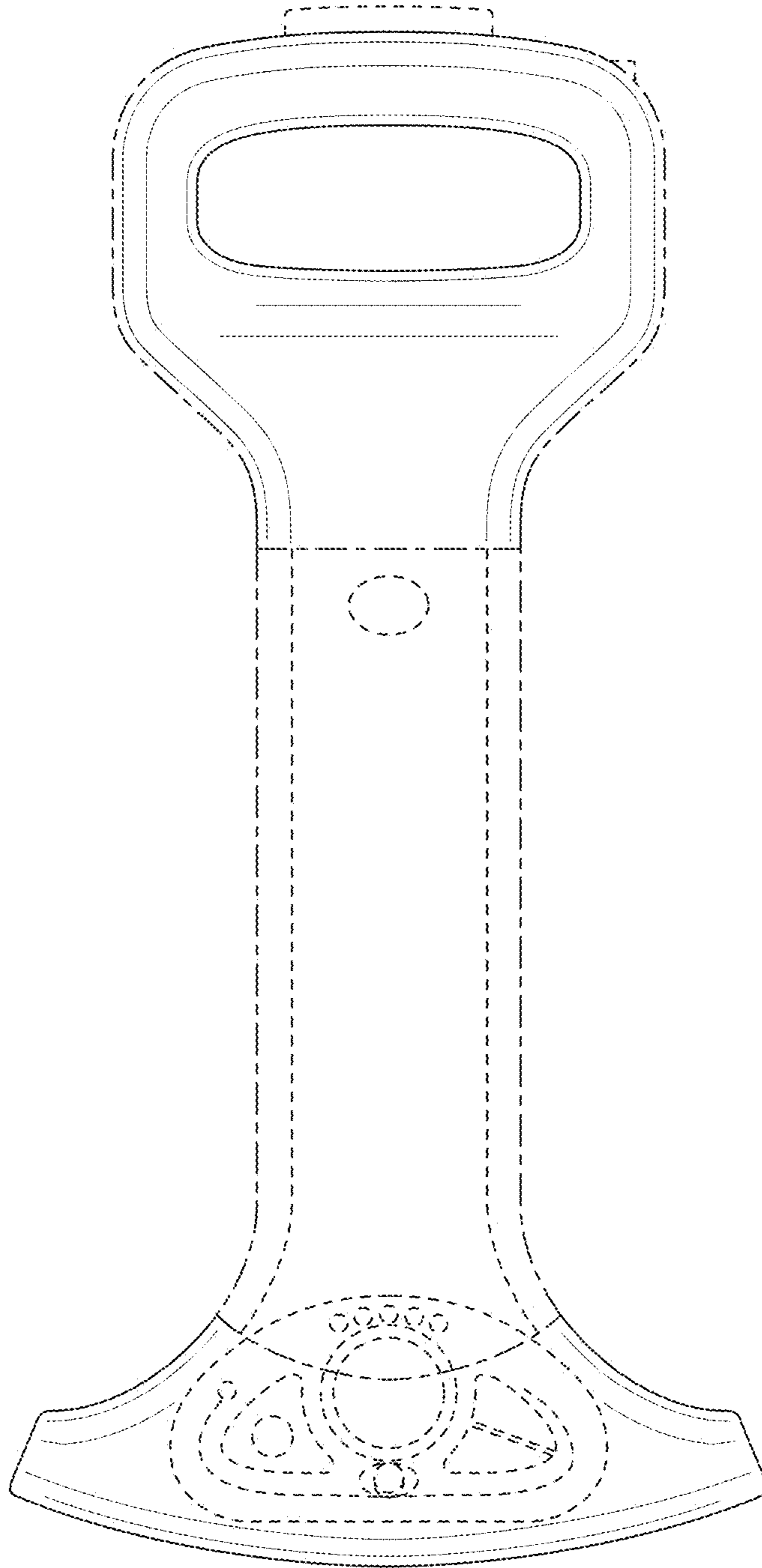


FIG. 11

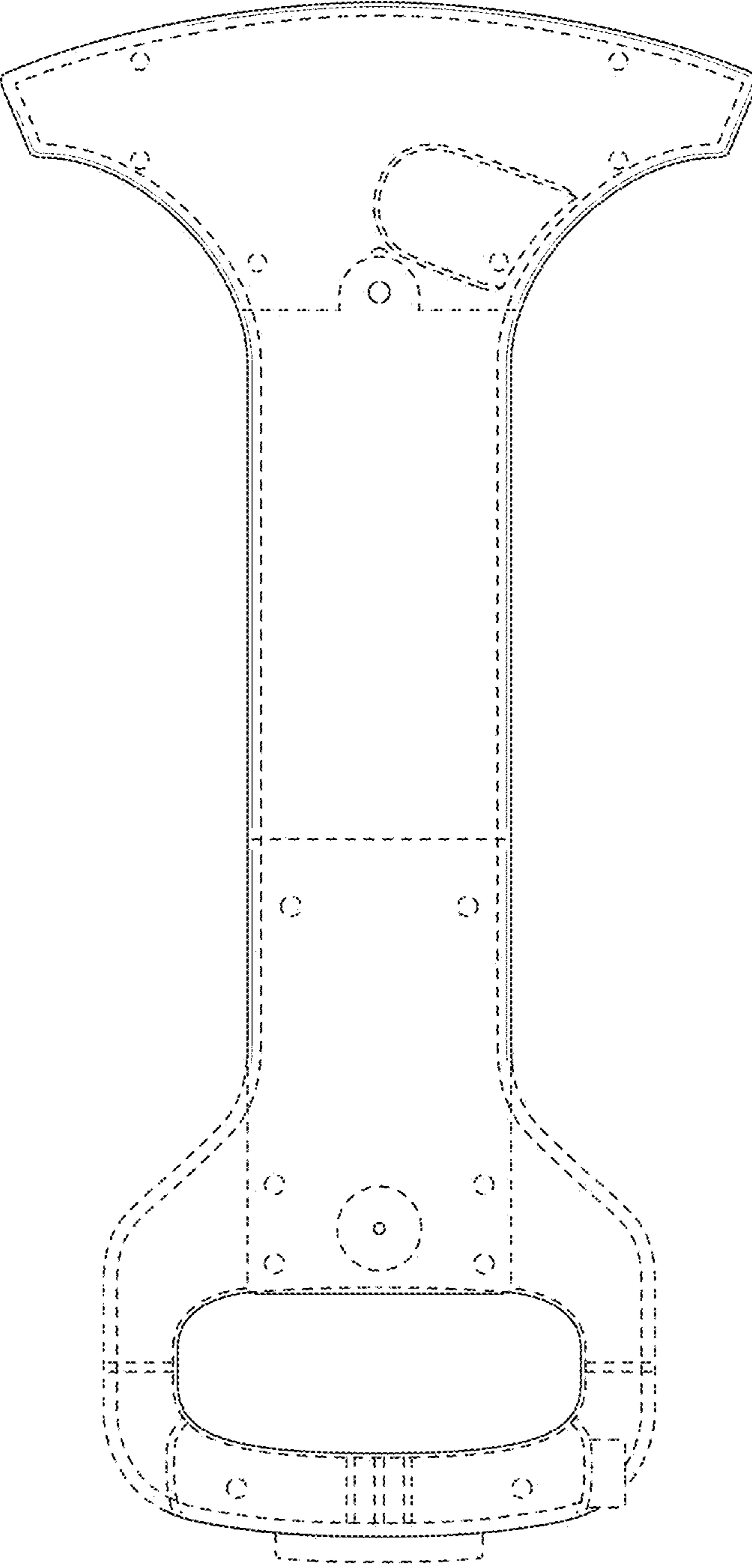


FIG. 12