



US00D692291S

(12) **United States Design Patent**  
**Gong et al.**

(10) **Patent No.:** **US D692,291 S**

(45) **Date of Patent:** **\*\* Oct. 29, 2013**

(54) **SLIDING GATE OPERATOR**

(76) Inventors: **Weining Gong**, Nanchang (CN);  
**Hongliang Xu**, Nanchang (CN)

(\*\*) Term: **14 Years**

(21) Appl. No.: **29/427,417**

(22) Filed: **Jul. 18, 2012**

(30) **Foreign Application Priority Data**

Jun. 12, 2012 (CN) ..... 2012 3 0243191

(51) **LOC (9) Cl.** ..... **08-07**

(52) **U.S. Cl.**  
USPC ..... **D8/339**; D8/343

(58) **Field of Classification Search**  
USPC ..... D8/330, 331, 336, 339, 343, 349, 302,  
D8/354, 499; 70/14, 19, 51, 57, 57.1, 102,  
70/107, 141, 142, 262, 266, 321, 320, 322,  
70/431, 465, DIG. 80; 292/32, 63, 92, 137,  
292/289, 290, 292, 358, 359, DIG. 29,  
292/DIG. 68, 67, 202, 235, 153, 238  
See application file for complete search history.

(56) **References Cited**

**U.S. PATENT DOCUMENTS**

1,289,074 A \* 12/1918 Armagost ..... 49/104  
3,470,653 A \* 10/1969 Kalog ..... 49/139

4,062,575 A \* 12/1977 Robins ..... 292/67  
4,564,791 A \* 1/1986 Brickner ..... 318/16  
4,852,706 A \* 8/1989 Pietrzak et al. .... 192/223.1  
6,935,000 B1 \* 8/2005 Arnaud ..... 16/239  
7,367,161 B1 \* 5/2008 Jones ..... 49/334  
D614,014 S \* 4/2010 Bo ..... D8/331  
D638,686 S \* 5/2011 Gordon ..... D8/339  
D655,997 S \* 3/2012 Merget ..... D8/339  
D657,227 S \* 4/2012 Charette ..... D8/339

\* cited by examiner

*Primary Examiner* — Prabhakar Deshmukh

(74) *Attorney, Agent, or Firm* — George D. Liu; Ronda IP  
Agent Co. Ltd

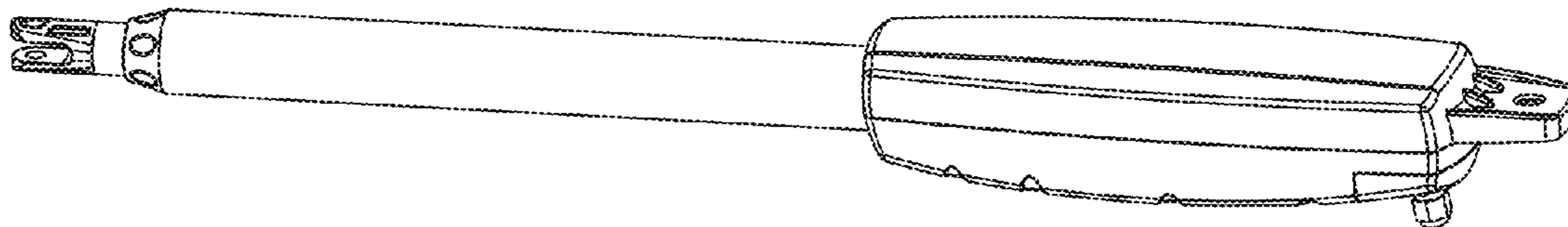
(57) **CLAIM**

The ornamental design for a sliding gate operator, as shown  
and described.

**DESCRIPTION**

FIG. 1 is a front view of the sliding gate operator;  
FIG. 2 is a rear view of the sliding gate operator;  
FIG. 3 is a left view of the sliding gate operator;  
FIG. 4 is a right view of the sliding gate operator;  
FIG. 5 is a top view of the sliding gate operator;  
FIG. 6 is a bottom view of the sliding gate operator; and,  
FIG. 7 is a perspective view of the sliding gate operator.

**1 Claim, 2 Drawing Sheets**



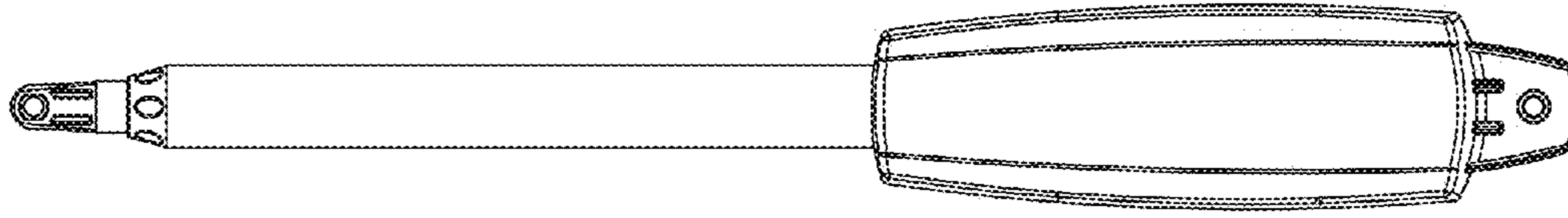


Fig. 1

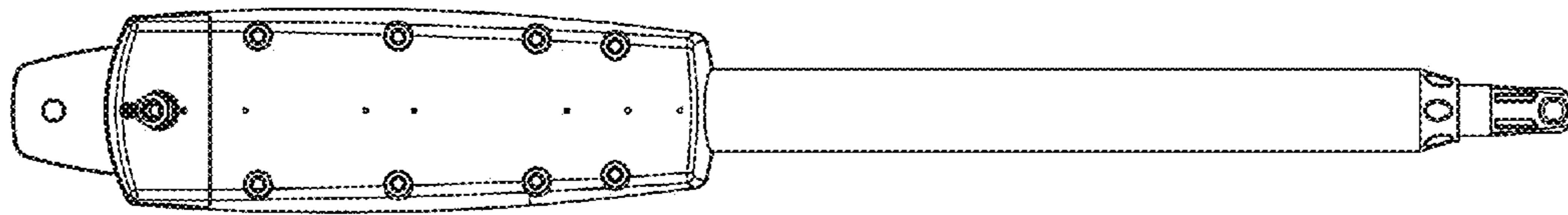


Fig. 2

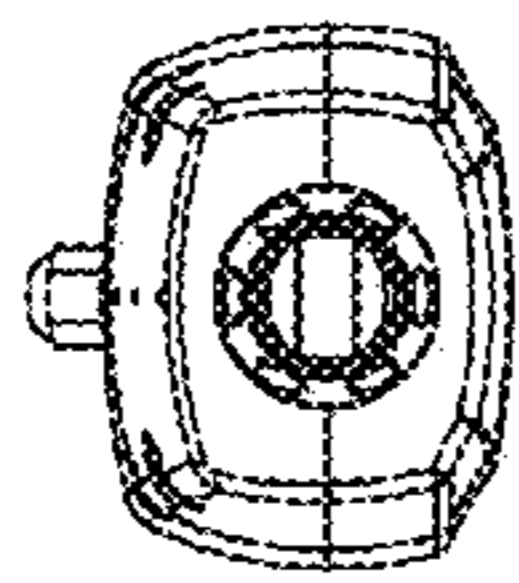


Fig. 3

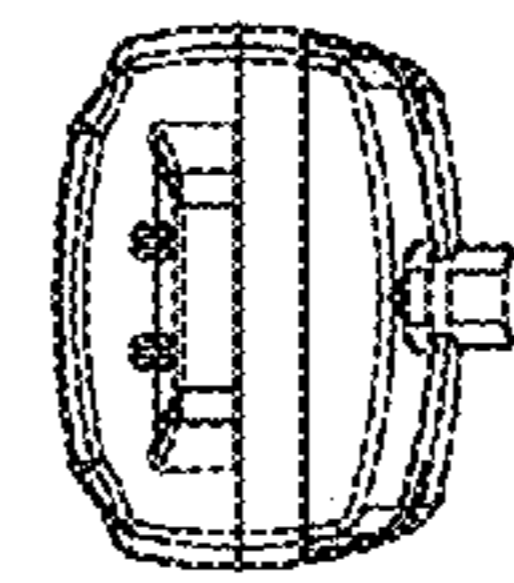


Fig. 4

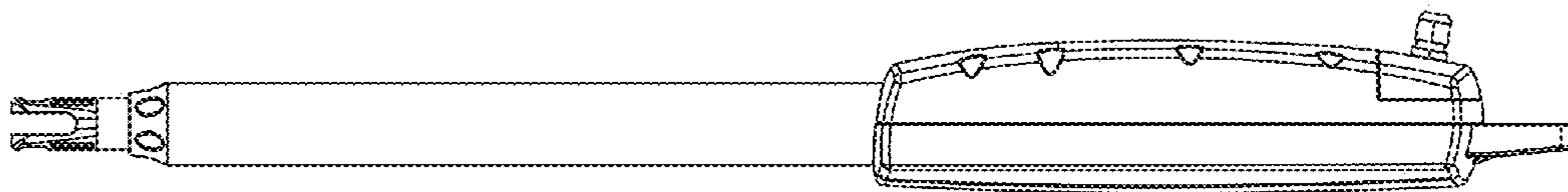


Fig. 5

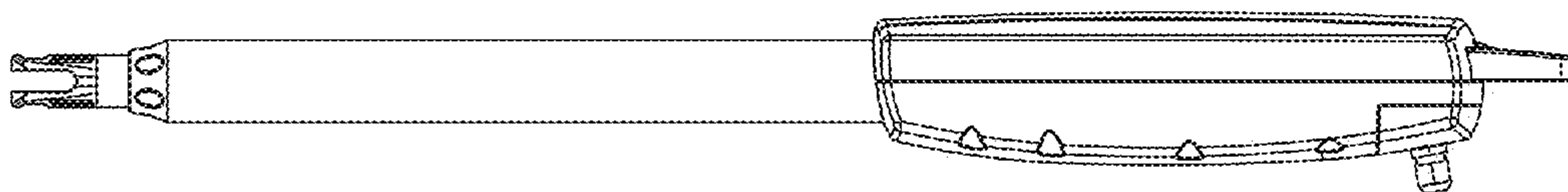


Fig. 6

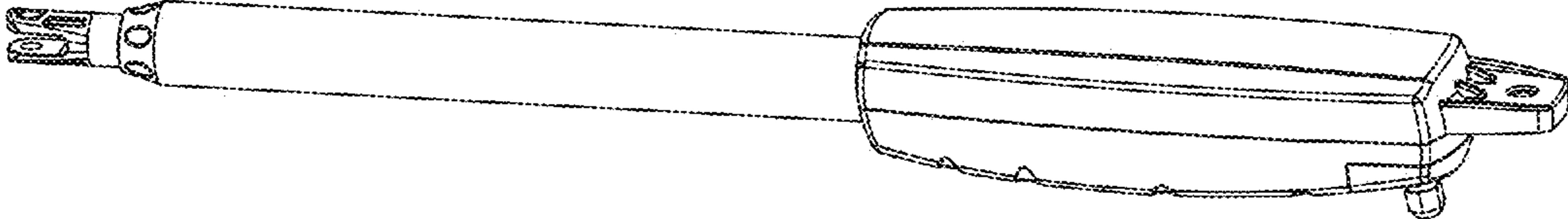


Fig. 7