

US00D692290S

(12) **United States Design Patent**
Stanesic et al.

(10) **Patent No.:** **US D692,290 S**
(45) **Date of Patent:** **** Oct. 29, 2013**

- (54) **HOOD LATCH**
- (71) Applicant: **Omix-Ada, Inc.**, Suwanee, GA (US)
- (72) Inventors: **John M. Stanesic**, Dacula, GA (US);
Alain Eboli, Lawrenceville, GA (US)
- (73) Assignee: **Omix-Ada, Inc.**, Suwanee, GA (US)
- (**) Term: **14 Years**
- (21) Appl. No.: **29/434,214**
- (22) Filed: **Oct. 11, 2012**
- (51) **LOC (9) Cl.** **08-07**
- (52) **U.S. Cl.**
USPC **D8/331**
- (58) **Field of Classification Search**
USPC D8/330, 331, 336, 343, 347; 70/14,
70/151, 99, 195, 224, 240, 241; 292/214,
292/216, 117, 45, 308, 359, 358, DIG. 14,
292/DIG. 43, DIG. 61, DIG. 30
See application file for complete search history.

7,036,618	B2 *	5/2006	Telford et al.	180/69.2
D524,631	S *	7/2006	Boote	D8/331
7,195,090	B2 *	3/2007	Parks et al.	180/271
7,204,526	B2 *	4/2007	Seo	292/24
D603,684	S *	11/2009	Martis et al.	D8/331
8,398,125	B2 *	3/2013	Takahashi et al.	292/45

OTHER PUBLICATIONS

Prior art latch designs, 3 pages.

* cited by examiner

Primary Examiner — Prabhakar Deshmukh

(74) *Attorney, Agent, or Firm* — Womble Carlyle Sandridge & Rice, LLP

(57) **CLAIM**

The ornamental design for a hood latch, as shown and described.

DESCRIPTION

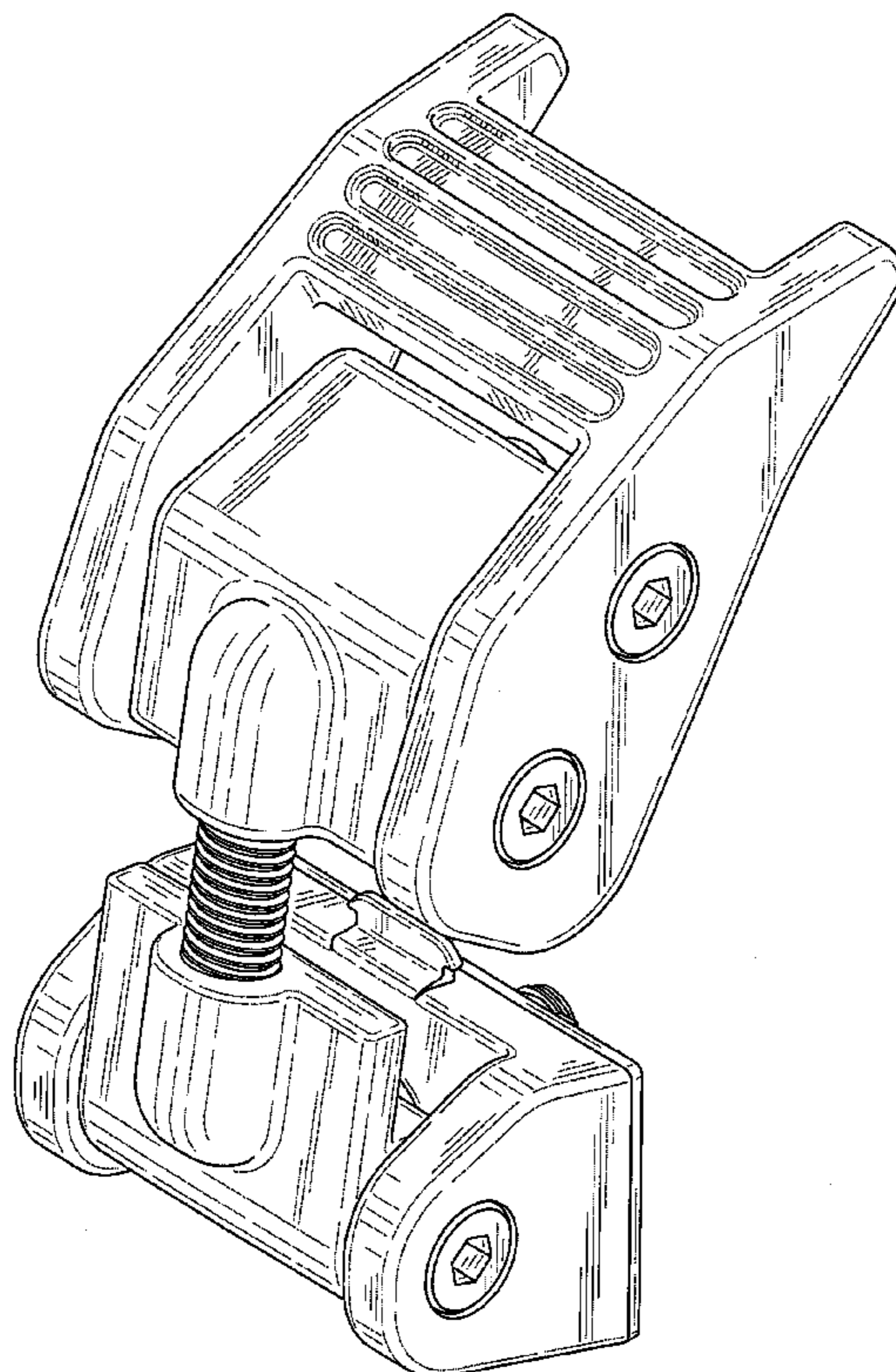
FIG. 1 is a perspective view of a hood latch showing our new design;
 FIG. 2 is a front view thereof;
 FIG. 3 is a rear view thereof;
 FIG. 4 is a right side view thereof, the left side view being a mirror image of the right side view;
 FIG. 5 is a top view thereof; and,
 FIG. 6 is a bottom view thereof.

1 Claim, 6 Drawing Sheets

(56) **References Cited**

U.S. PATENT DOCUMENTS

3,600,018	A *	8/1971	Dzus et al.	292/69
4,936,611	A *	6/1990	Palvolgyi	292/28
6,422,616	B1 *	7/2002	Wortmann et al.	292/216
6,581,987	B1 *	6/2003	Gentile et al.	292/216
6,588,515	B2 *	7/2003	Wentworth et al.	175/19
6,598,912	B2 *	7/2003	Hillgaertner et al.	292/225
D487,560	S *	3/2004	Magnusson	D8/331



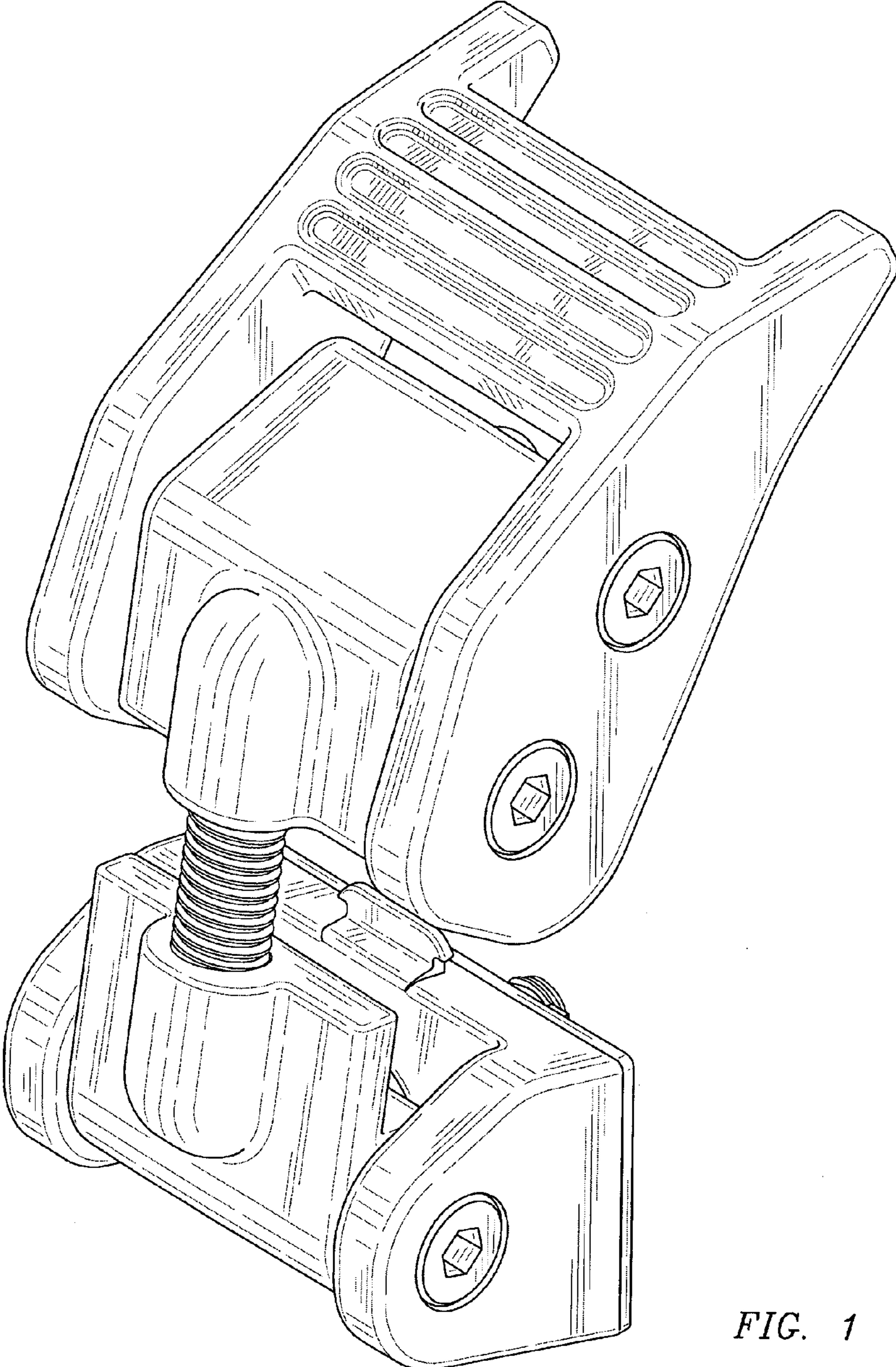


FIG. 1

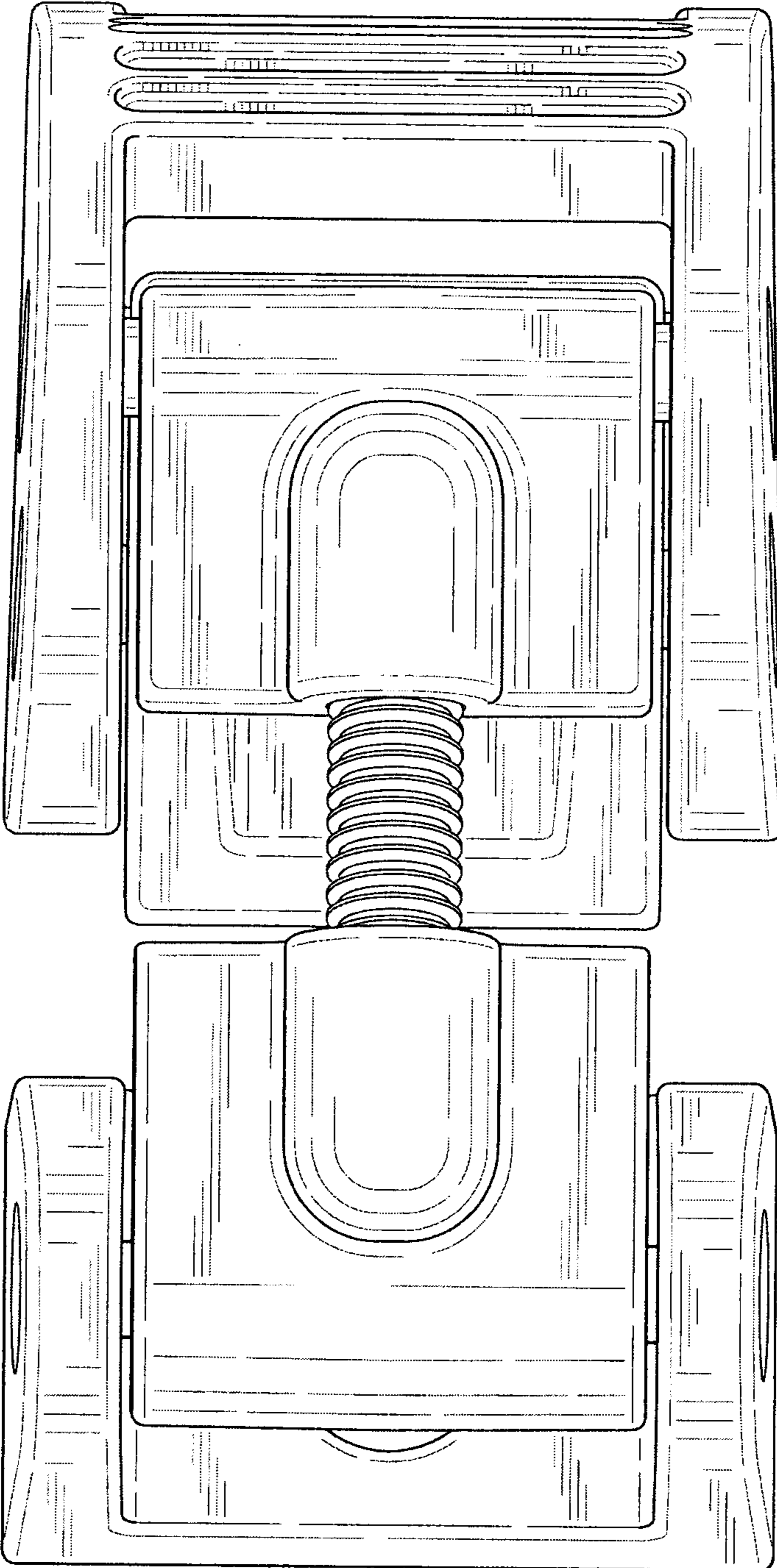


FIG. 2

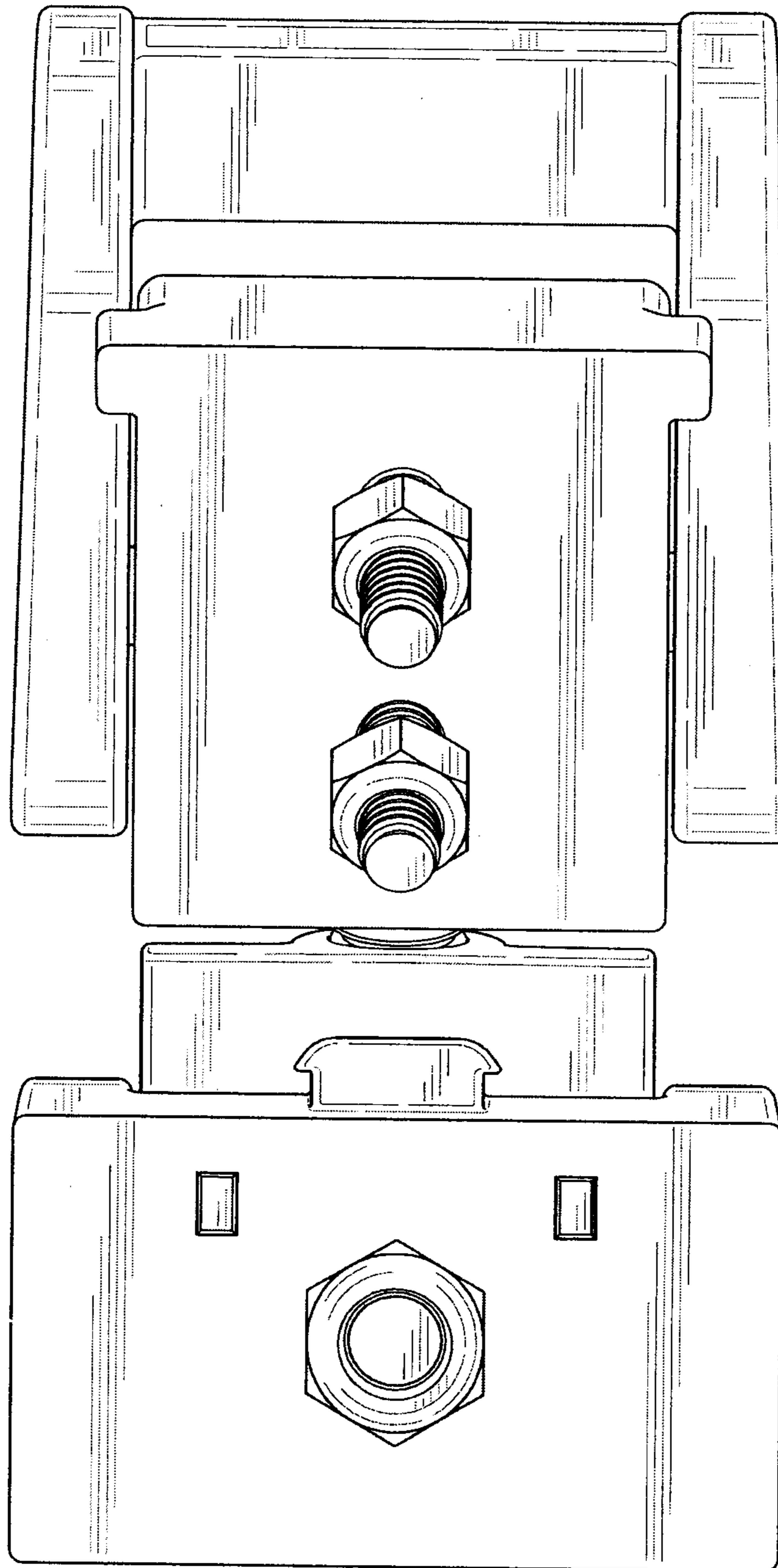


FIG. 3

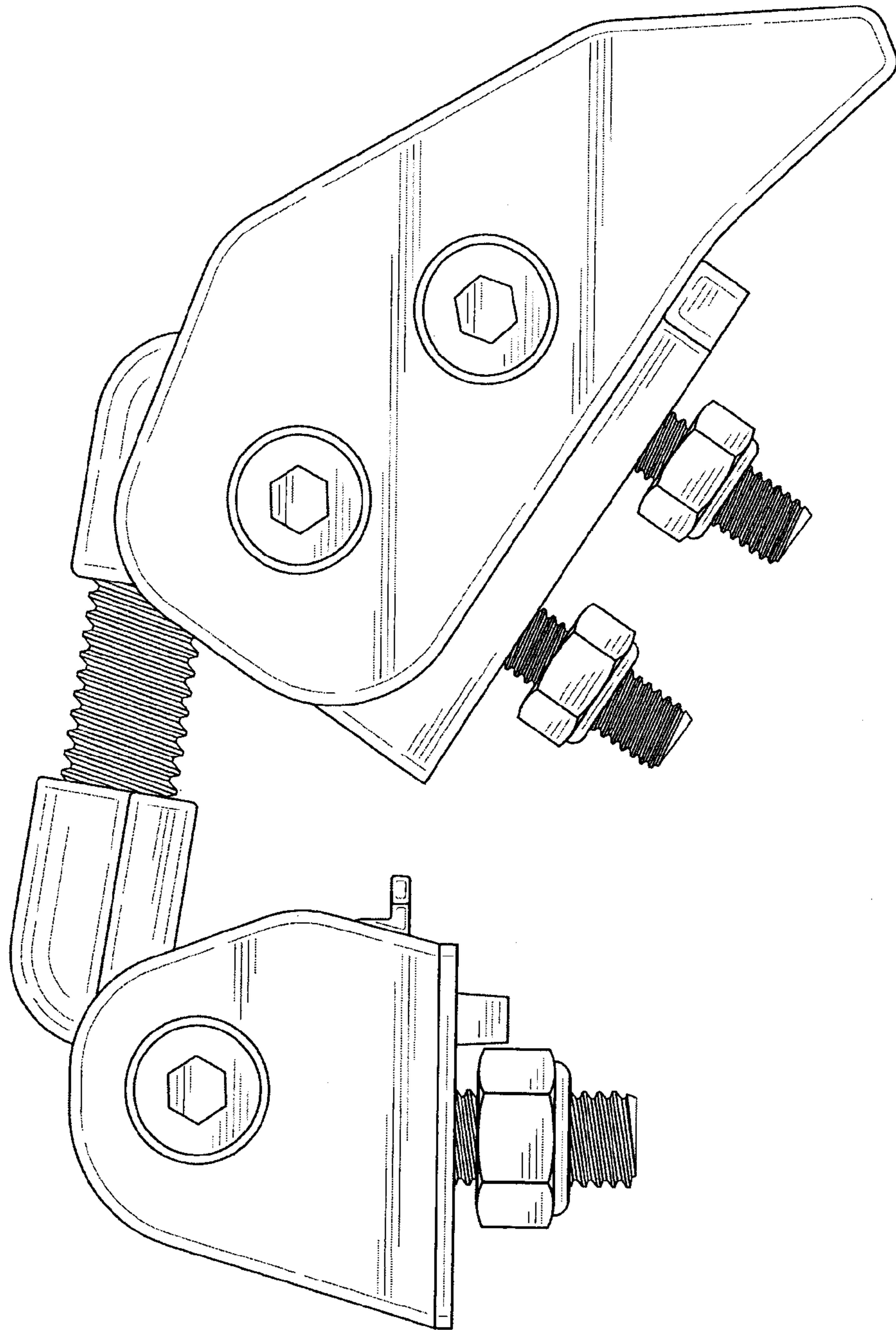


FIG. 4

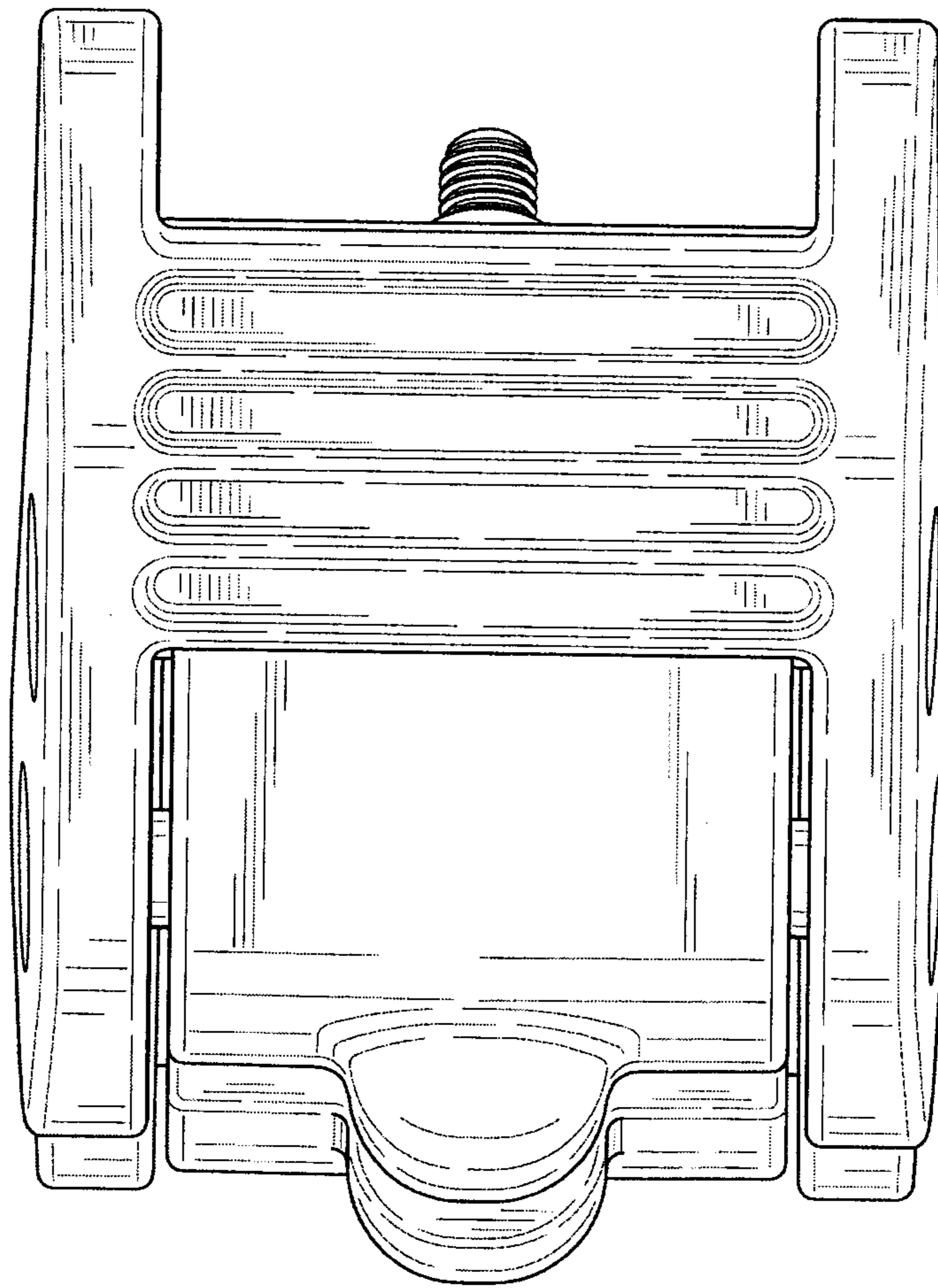


FIG. 5

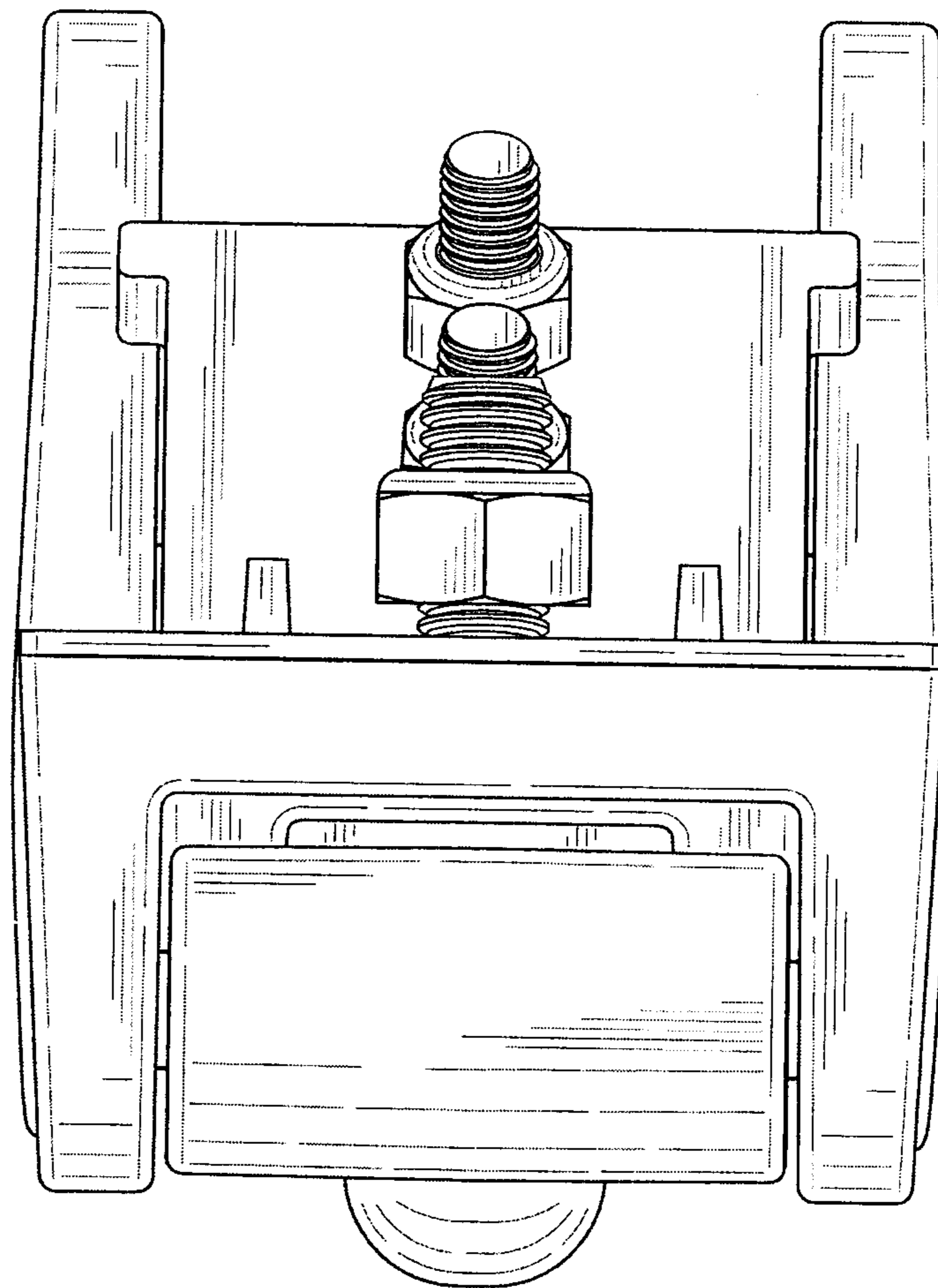


FIG. 6