



US00D692289S

(12) **United States Design Patent**
Cheng

(10) **Patent No.:** **US D692,289 S**

(45) **Date of Patent:** **** Oct. 29, 2013**

(54) **KNIFE**

(75) **Inventor:** **Yang-Fu Cheng**, Taipei (TW)

(73) **Assignee:** **Taylor Brands, LLC**, Kingsport, TN (US)

(**) **Term:** **14 Years**

(21) **Appl. No.:** **29/427,466**

(22) **Filed:** **Jul. 18, 2012**

(51) **LOC (9) Cl.** **08-03**

(52) **U.S. Cl.**
USPC **D8/99**

(58) **Field of Classification Search**
USPC D8/12, 20, 95-99, 107; D22/118, 149;
30/154-162, 329-331, 351, 356
See application file for complete search history.

(56) **References Cited**

U.S. PATENT DOCUMENTS

1,030,023	A *	6/1912	Shannon	30/48
2,315,898	A *	4/1943	Krilow	30/351
D410,831	S *	6/1999	Dossett	D8/97
D512,624	S	12/2005	Taylor et al.	
D539,631	S	4/2007	Taylor	
D554,964	S	11/2007	Taylor	
D558,295	S *	12/2007	Linn et al.	D22/118
D560,997	S *	2/2008	Onion	D8/99
D561,295	S	2/2008	Taylor	
D561,554	S	2/2008	Taylor	
D562,102	S	2/2008	Pearman	
D562,932	S	2/2008	Taylor	
D577,979	S *	10/2008	MacNair et al.	D8/99
D578,857	S	10/2008	Yang-Fu	
D586,198	S *	2/2009	MacNair et al.	D8/99
D599,640	S	9/2009	Yang-Fu	

D599,641	S	9/2009	Yang-Fu	
D600,090	S	9/2009	Yang-Fu	
D600,992	S *	9/2009	MacNair et al.	D8/99
D613,145	S	4/2010	Yang-Fu	
D632,154	S	2/2011	Yang-Fu	
D632,539	S	2/2011	Taylor et al.	
D632,755	S	2/2011	Weiguo	
D660,676	S	5/2012	Yang-Fu	
D670,149	S *	11/2012	Yang-Fu	D8/99
D672,841	S *	12/2012	Pelton	D22/118
D672,842	S *	12/2012	Pelton	D22/118
2012/0180320	A1 *	7/2012	Lo	30/161

OTHER PUBLICATIONS

Smith & Wesson M&P with Serrated Blade. Downloaded from <http://www.knife-depot.com/knife-392839.html> on Jun. 2, 2013.*

(Continued)

Primary Examiner — Philip S Hyder
Assistant Examiner — Roselynn Cody
(74) *Attorney, Agent, or Firm* — Luedeka Neely Group, PC

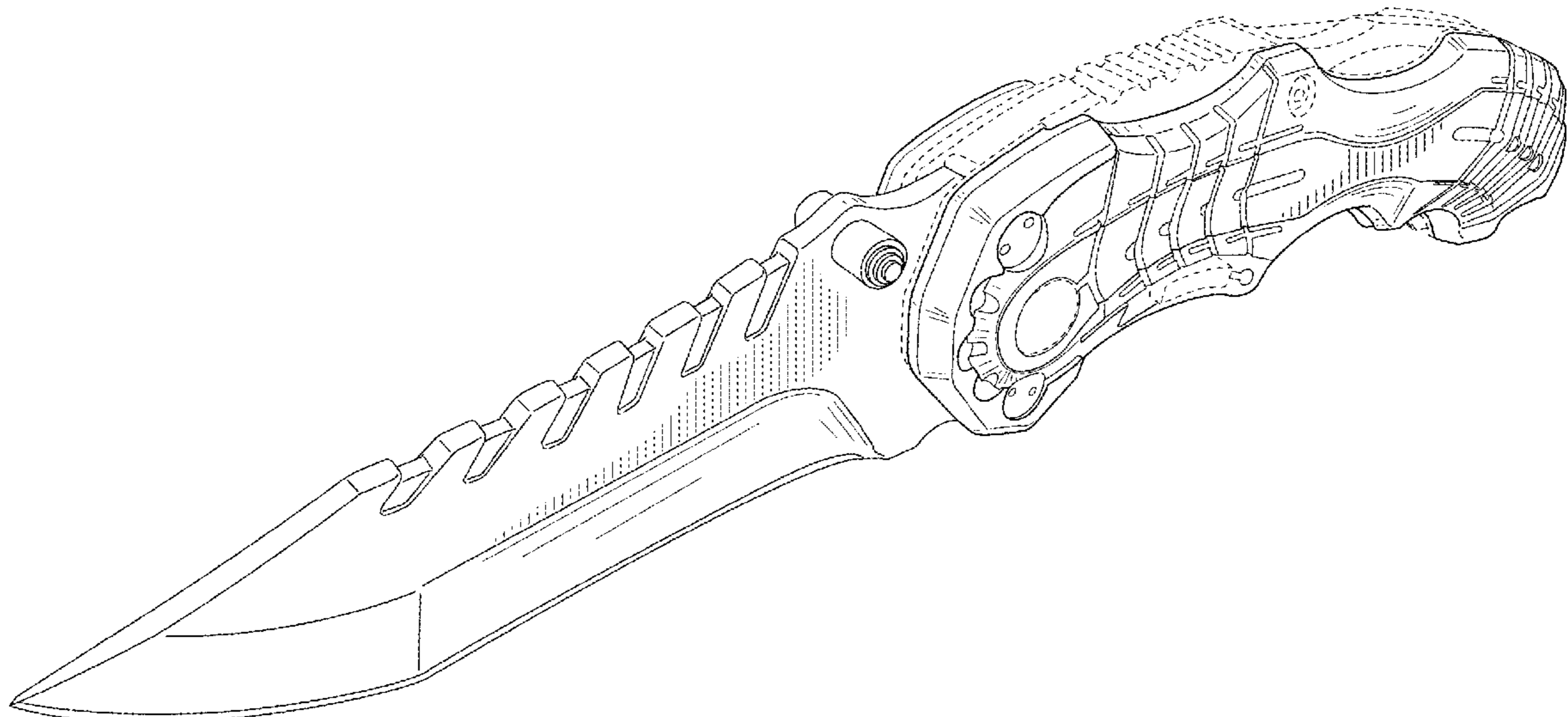
(57) **CLAIM**

The ornamental design for a knife, as shown and described.

DESCRIPTION

FIG. 1 is a perspective view of a knife of my new design; FIG. 2 is a left side elevation view of the knife of FIG. 1; FIG. 3 is a right side elevation view of the knife of FIG. 1; FIG. 4 is a top plan view of the knife of FIG. 1; FIG. 5 is a bottom plan view of the knife of FIG. 1; FIG. 6 is a front end view of the knife of FIG. 1; and, FIG. 7 is a rear end view of the knife of FIG. 1. The broken lines in the drawings are included for the purpose of illustrating unclaimed features and form no part of the claimed design.

1 Claim, 4 Drawing Sheets



(56)

References Cited

OTHER PUBLICATIONS

Smith & Wesson M&P with Plain Blade. Downloaded from <http://www.knife-depot.com/knife-392834.html> Jun. 2, 2013.*

Covert Ops Notch Blade 13" Combat Knife KN-1299. Downloaded from http://www.kyknives.com/Covert-Ops-Notch-Blade-13-Combat-Knife-KN-1299_p_682.ht . . . on Jun. 12, 2013.*

* cited by examiner

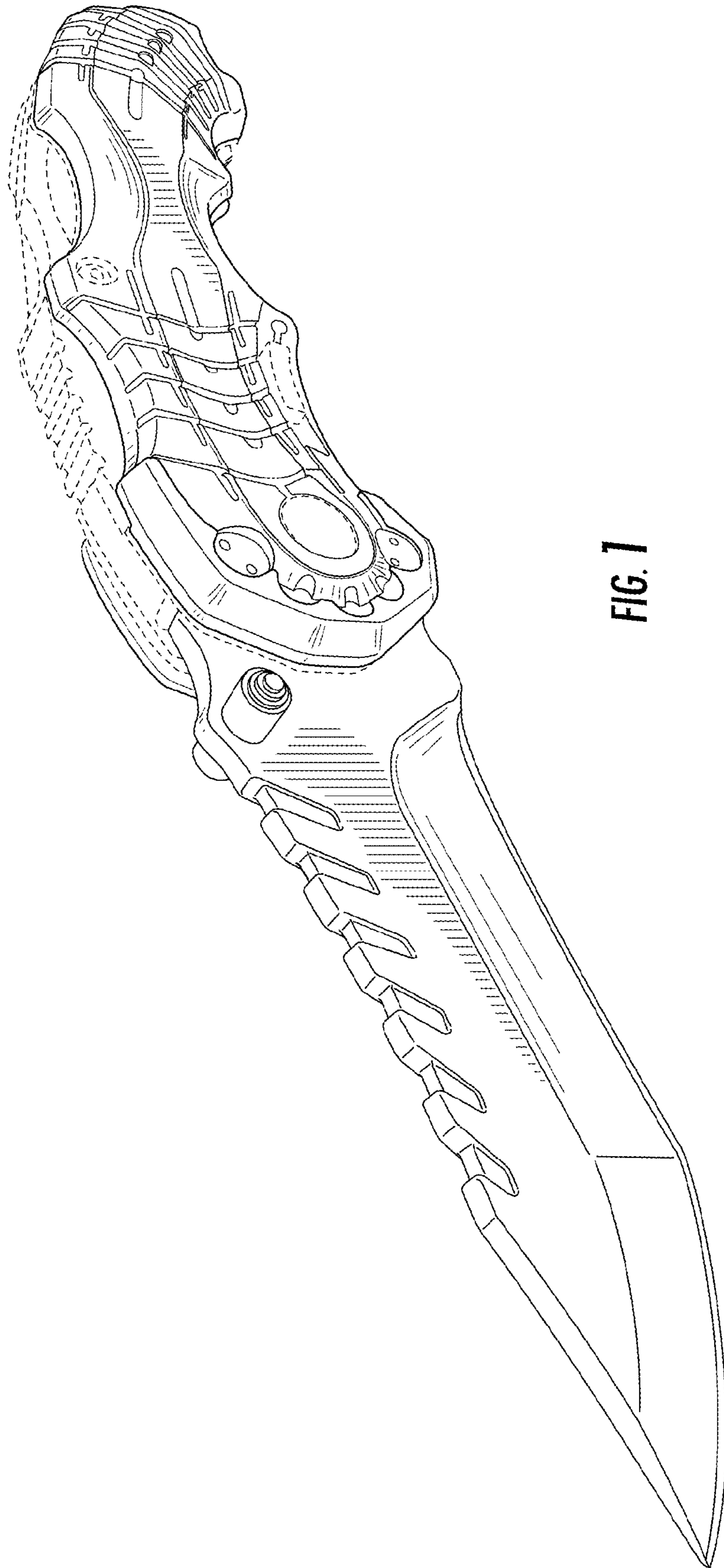


FIG. 1

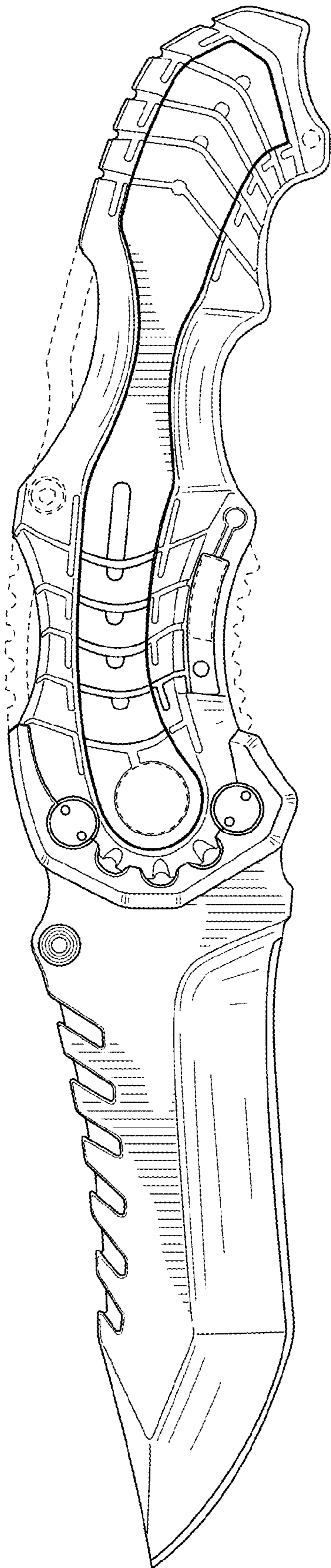


FIG. 2

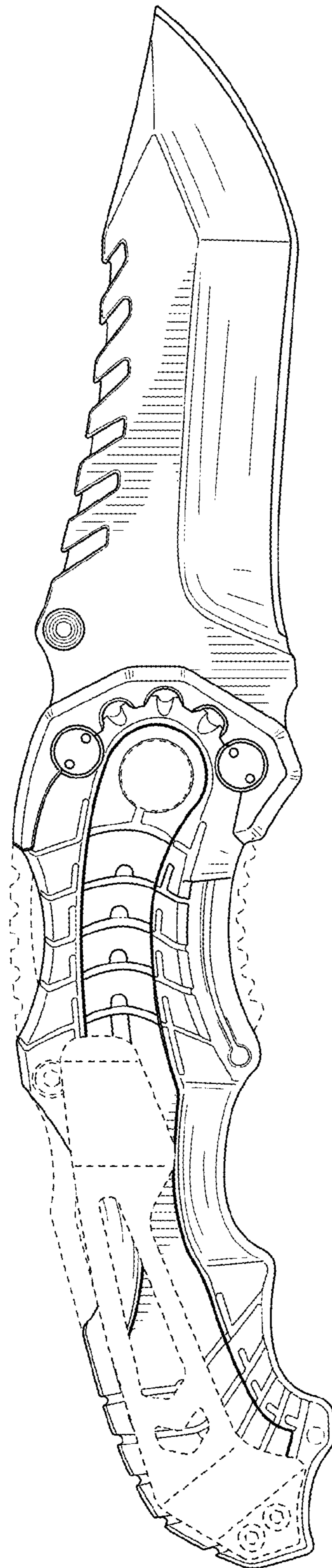


FIG. 3

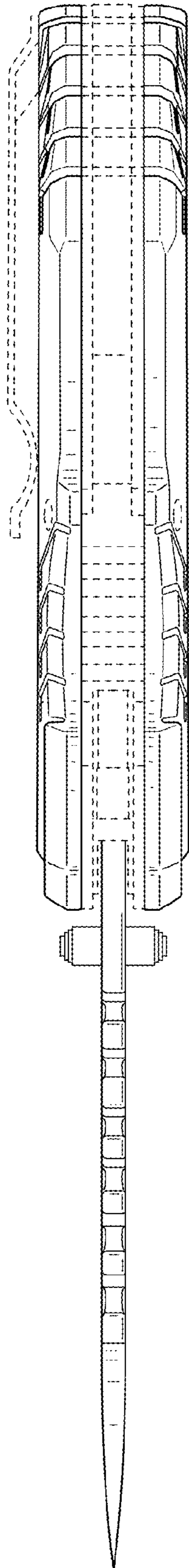


FIG. 4

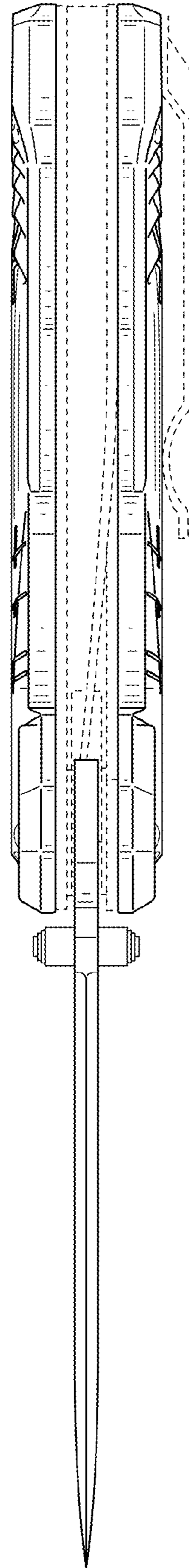


FIG. 5

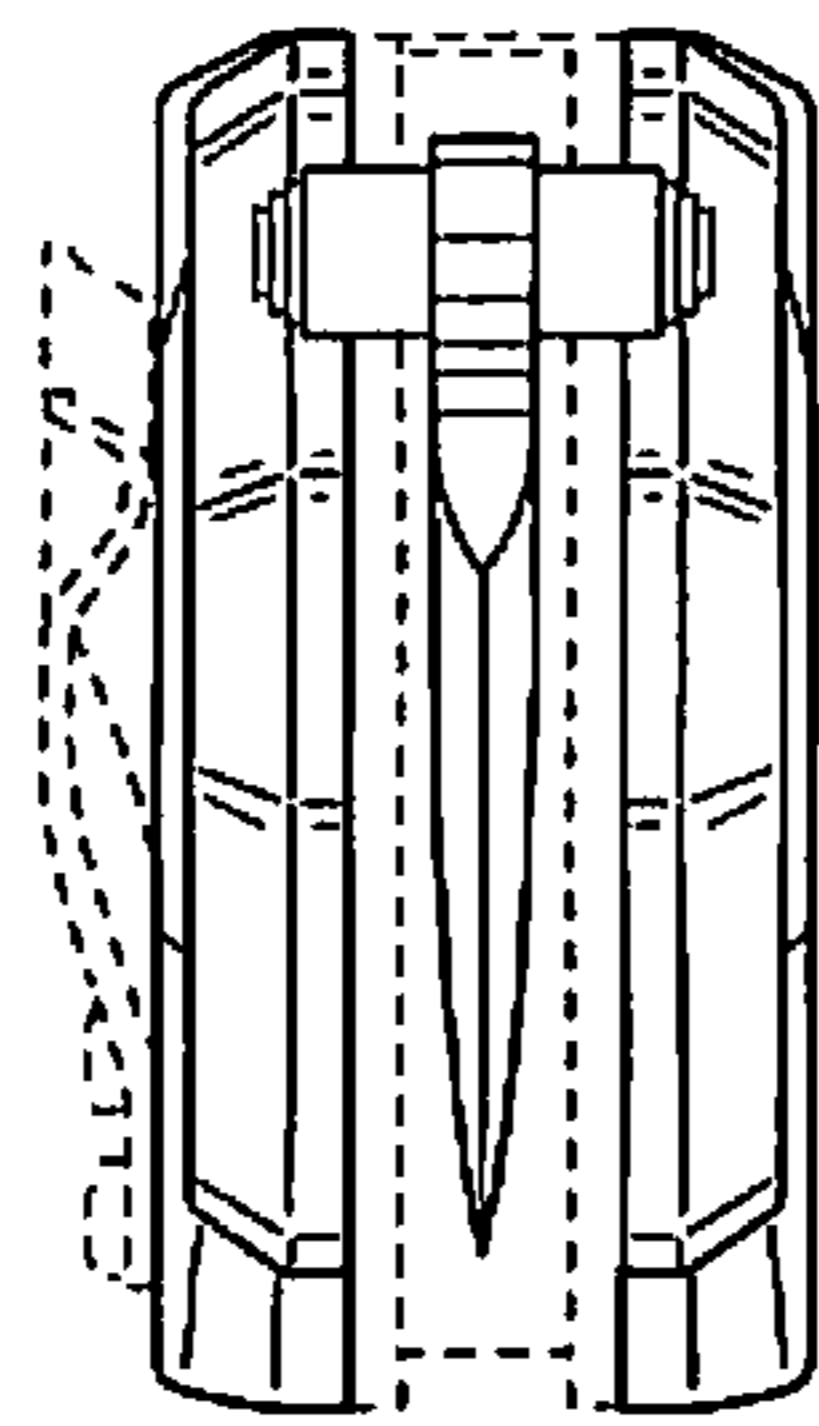


FIG. 6

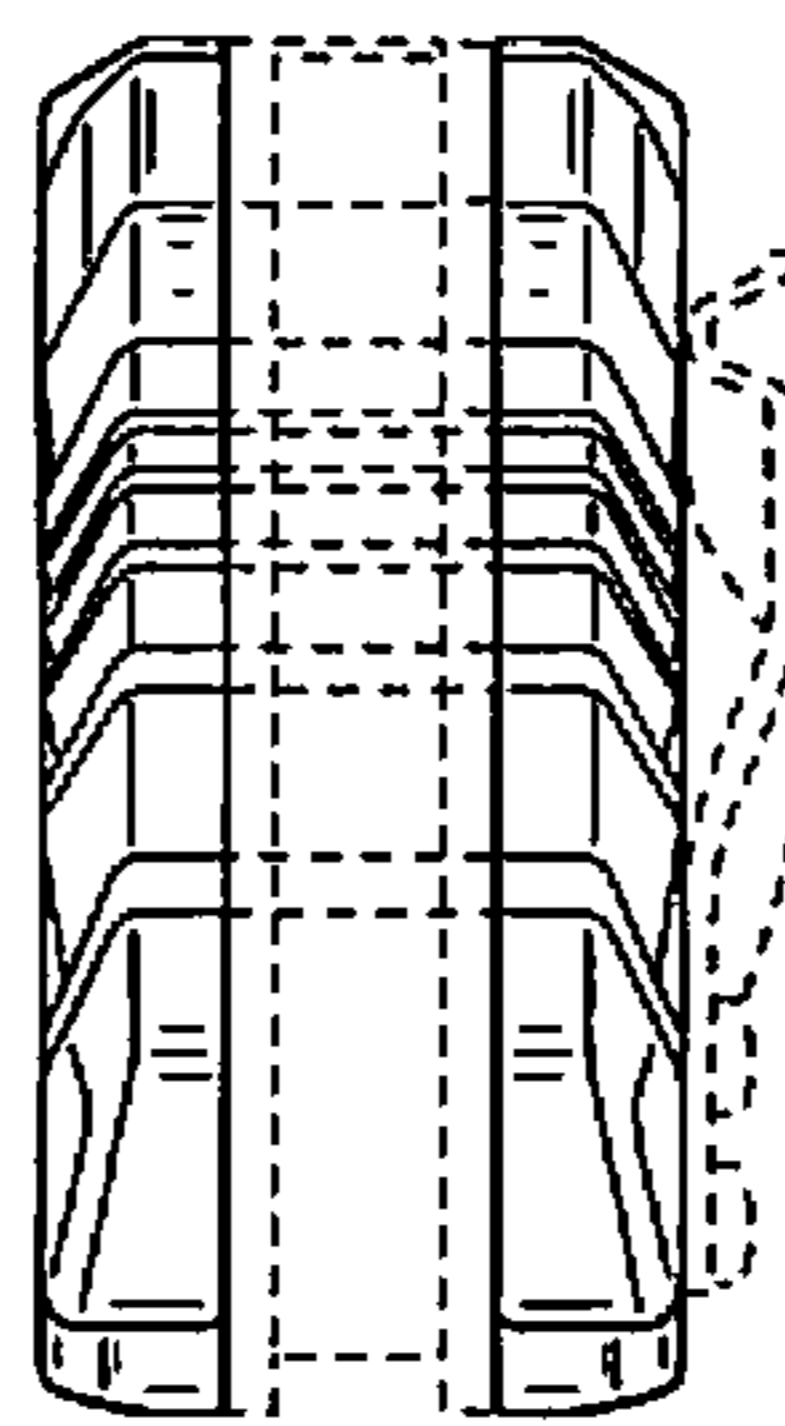


FIG. 7