



US00D692288S

(12) **United States Design Patent**
Locklear

(10) **Patent No.:** **US D692,288 S**

(45) **Date of Patent:** **** Oct. 29, 2013**

(54) **ESCAPE TOOL**

(71) Applicant: **Raphael Tijerina Locklear**, Shannon, NC (US)

(72) Inventor: **Raphael Tijerina Locklear**, Shannon, NC (US)

(**) Term: **14 Years**

(21) Appl. No.: **29/441,533**

(22) Filed: **Jan. 7, 2013**

(51) **LOC (9) Cl.** **08-03**

(52) **U.S. Cl.**
USPC **D8/98; D8/105**

(58) **Field of Classification Search**
USPC D8/16, 18-19, 20, 40, 98-99, 102, D8/104-105, 107; 30/2, 286-287, 294, 30/314, 317, 337, 353; 7/158
See application file for complete search history.

(56) **References Cited**

U.S. PATENT DOCUMENTS

D244,987 S *	7/1977	Lavitch	D8/98
D285,900 S *	9/1986	Chan	D8/105
D290,334 S *	6/1987	Reynolds, Jr.	D8/105
4,680,861 A *	7/1987	Meurer	30/298.4
D294,797 S *	3/1988	Itoh	D8/98
D356,020 S *	3/1995	Costa	D8/105
D365,163 S *	12/1995	Brogliato	D26/38

D379,421 S *	5/1997	Friedman	D8/98
D385,771 S *	11/1997	Chiang	D8/105
D413,781 S *	9/1999	Wong	D8/81
D417,130 S *	11/1999	Hollinger	D8/81
D420,269 S *	2/2000	Ben-Moshe	D8/81
D435,422 S *	12/2000	Schimmel	D8/104
D470,030 S *	2/2003	Swier	D8/98
D472,444 S *	4/2003	Gesheit	D8/81
D499,003 S *	11/2004	Chiang	D8/81
D577,562 S *	9/2008	Lin et al.	D8/105
D595,105 S *	6/2009	White	D8/105
D637,883 S *	5/2011	Yu Chen	D8/98
D642,444 S *	8/2011	Kommer	D8/105
D664,414 S *	7/2012	Wetlaufer et al.	D8/70

* cited by examiner

Primary Examiner — Philip S Hyder

Assistant Examiner — Roselynn Cody

(74) *Attorney, Agent, or Firm* — Sinorica, LLC

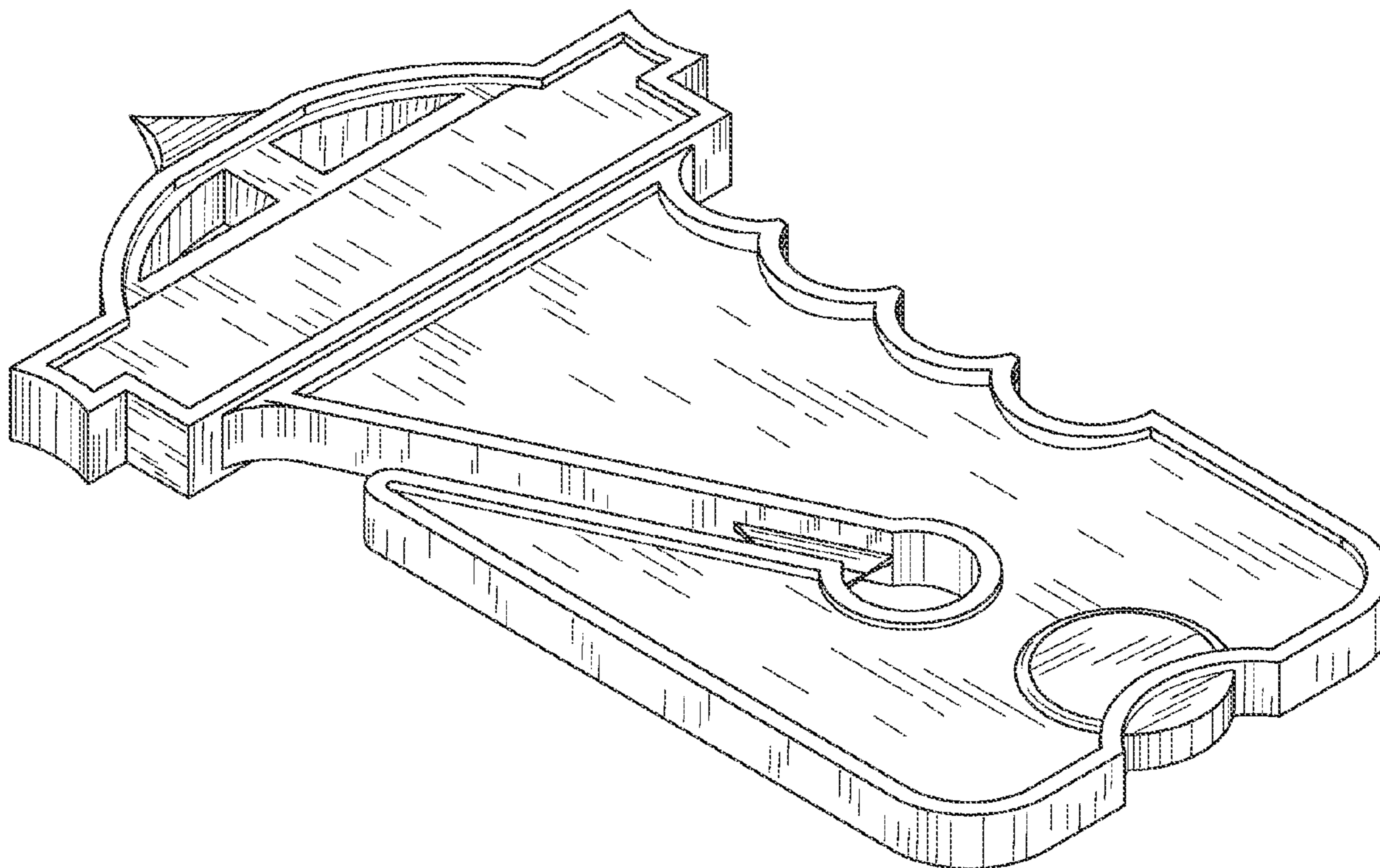
(57) **CLAIM**

The ornamental design for an escape tool, as shown and described.

DESCRIPTION

FIG. 1 is a left-side elevational view of an escape tool;
FIG. 2 is a right-side elevational view thereof;
FIG. 3 is a top plan view thereof;
FIG. 4 is a bottom plan view thereof;
FIG. 5 is a front elevational view thereof;
FIG. 6 is a rear elevational view thereof; and,
FIG. 7 is a perspective view thereof.

1 Claim, 7 Drawing Sheets



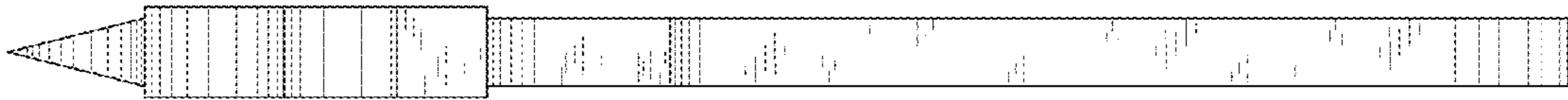


FIG. 1

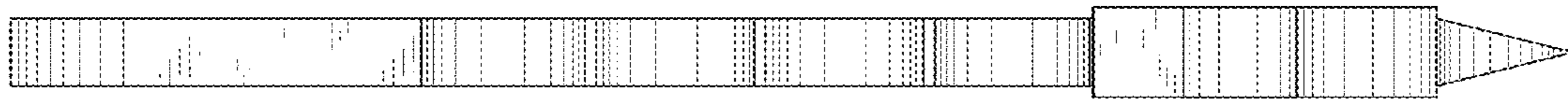


FIG. 2

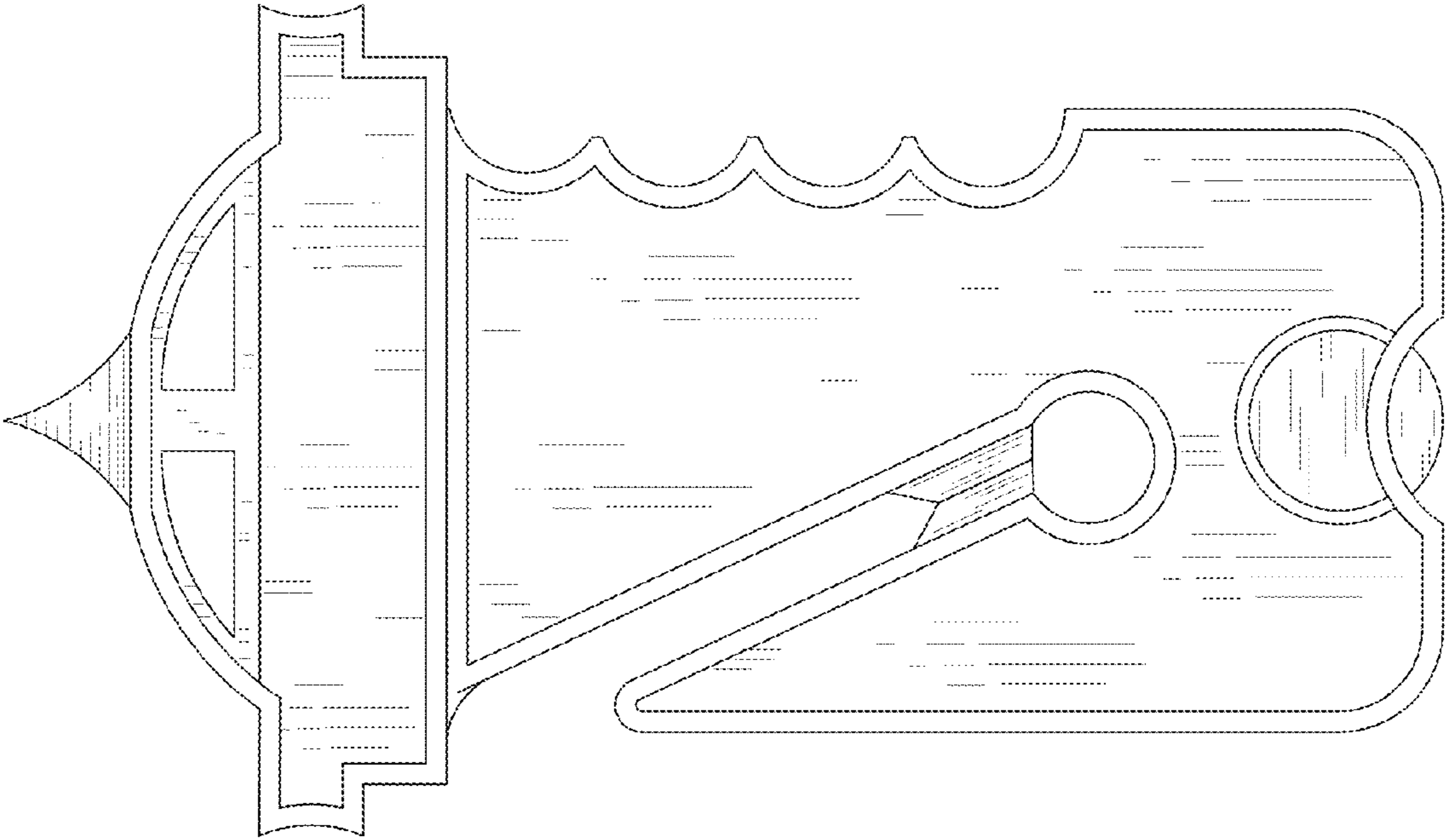


FIG. 3

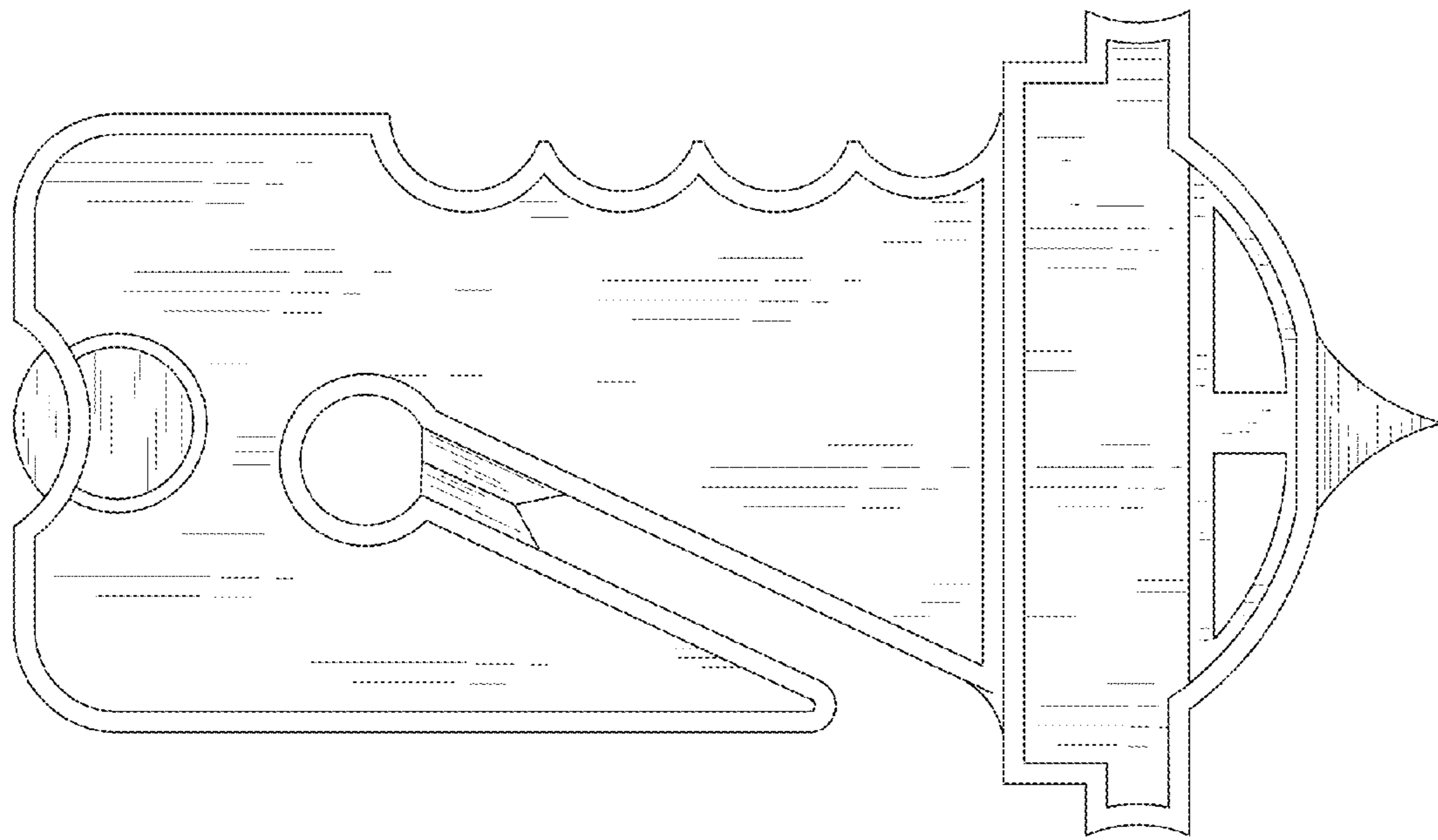


FIG. 4

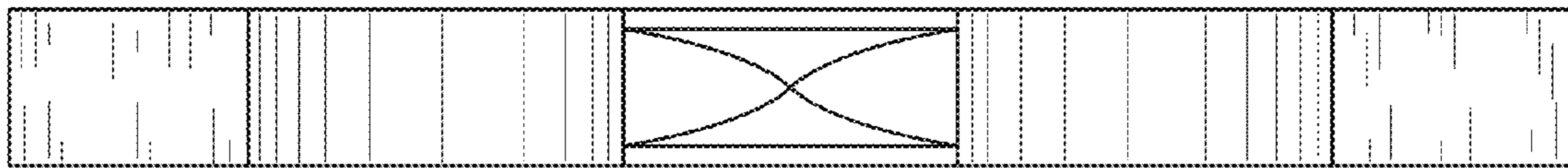


FIG. 5

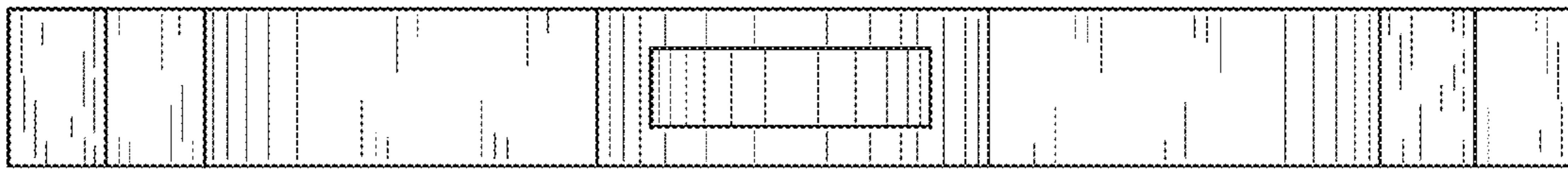


FIG. 6

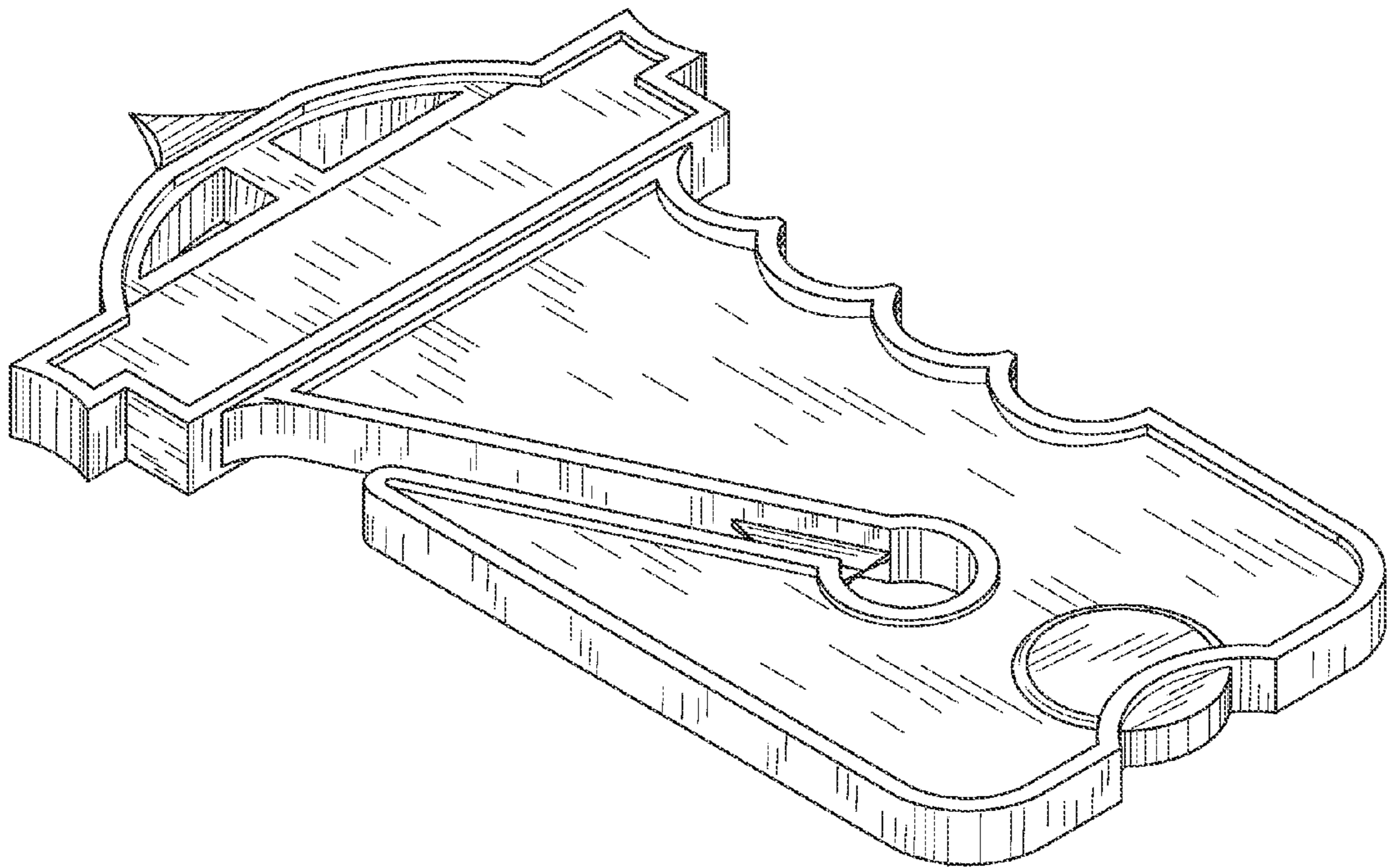


FIG. 7