

US00D692287S

(12) **United States Design Patent**  
**Tinius**

(10) **Patent No.:** **US D692,287 S**

(45) **Date of Patent:** **\*\* Oct. 29, 2013**

(54) **PARTIAL LOAD TRIGGER FOR A HANDLE**

(71) Applicant: **Andreas Stihl AG & Co. KG,**  
Waiblingen (DE)

(72) Inventor: **Michael Tinius,** Ulm (DE)

(73) Assignee: **Andreas Stihl AG & Co. KG,**  
Waiblingen (DE)

(\*\*) Term: **14 Years**

(21) Appl. No.: **29/452,647**

(22) Filed: **Apr. 19, 2013**

(30) **Foreign Application Priority Data**

Dec. 21, 2012 (EM) ..... 002158501-0004

(51) **LOC (9) Cl.** ..... **08-01**

(52) **U.S. Cl.**  
USPC ..... **D8/61**

(58) **Field of Classification Search**

USPC ..... D8/65, 7, 8, 9, 70, 66, 67, 62, 63, 64,  
D8/61, 91; 30/386, 383, 382, 371, 123,  
30/381; 125/21; 81/177.1, 177.4;  
123/185.3; D3/13, 16; D14/412

See application file for complete search history.

(56) **References Cited**

**U.S. PATENT DOCUMENTS**

D300,601 S \* 4/1989 Himbert et al. .... D8/107  
D314,664 S \* 2/1991 Bonanno ..... D3/13  
D325,857 S \* 5/1992 Hasegawa et al. .... D8/61  
D372,053 S \* 7/1996 Couch et al. .... D14/412  
D378,798 S \* 4/1997 Berti ..... D8/107  
D389,706 S \* 1/1998 Haberlein et al. .... D8/8

D487,216 S \* 3/2004 Arvidsson et al. .... D8/8  
D538,613 S \* 3/2007 Murray ..... D8/61  
D540,028 S \* 4/2007 You ..... D3/16  
D633,352 S \* 3/2011 Davison et al. .... D8/61  
D648,997 S \* 11/2011 Allan et al. .... D8/61  
D662,800 S \* 7/2012 Blythe et al. .... D8/61  
D682,649 S \* 5/2013 Aglassinger ..... D8/61

\* cited by examiner

*Primary Examiner* — Austin Murphy

(74) *Attorney, Agent, or Firm* — McGuireWoods LLP

(57) **CLAIM**

I claim the ornamental design for a partial load trigger for a handle, as shown and described.

**DESCRIPTION**

FIG. 1 is a right-rear perspective view of the partial load trigger for a handle;

FIG. 2 is a right side view of the partial load trigger for a handle shown in FIG. 1;

FIG. 3 is a left side view of the partial load trigger for a handle shown in FIG. 1;

FIG. 4 is a front view of the partial load trigger for a handle shown in FIG. 1;

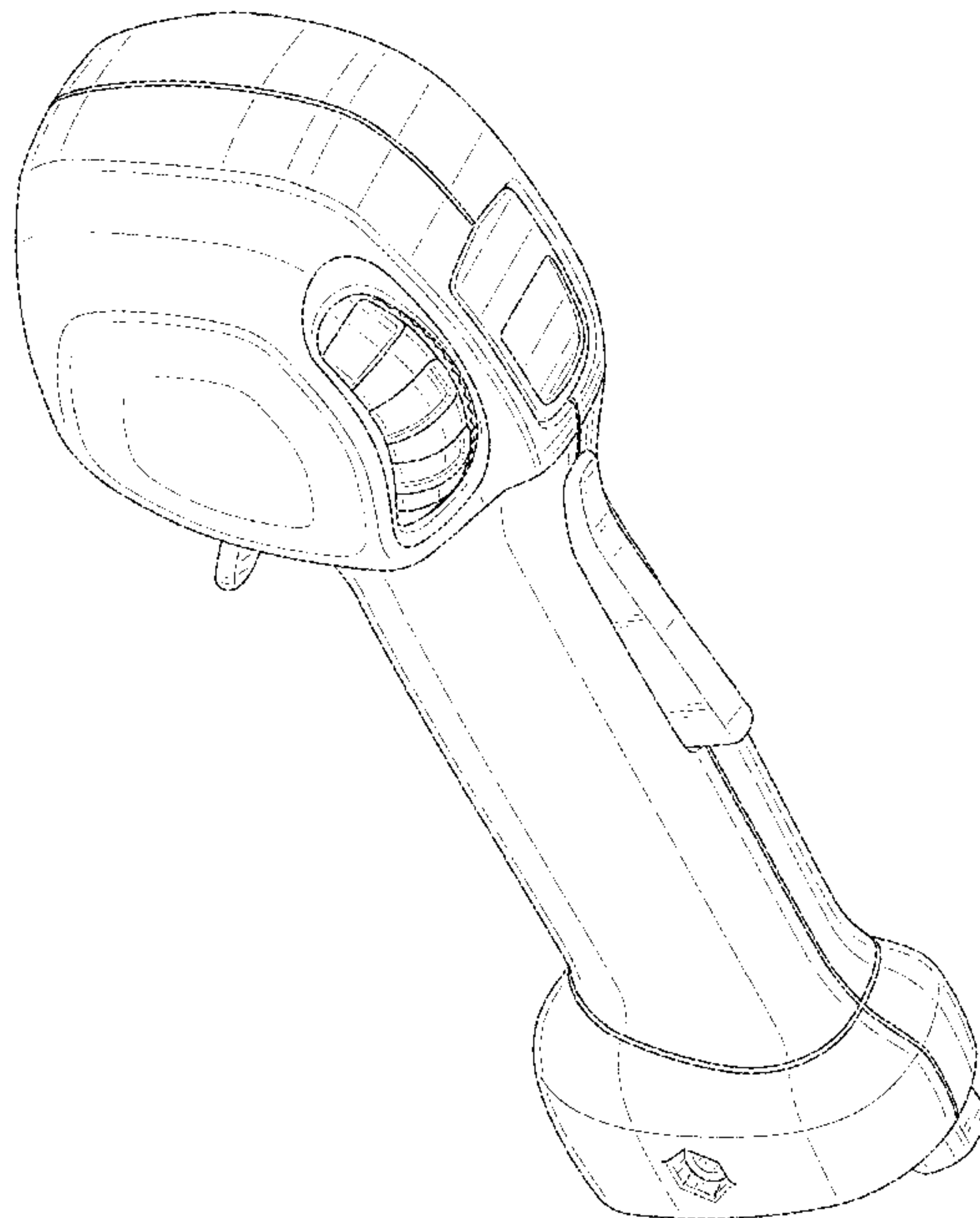
FIG. 5 is a rear view of the partial load trigger for a handle shown in FIG. 1;

FIG. 6 is a top view of the partial load trigger for a handle shown in FIG. 1; and,

FIG. 7 is a bottom view of the partial load trigger for a handle shown in FIG. 1.

The broken lines shown in the drawings represent unclaimed portions of the partial load trigger for a handle and form no part of the claimed design.

**1 Claim, 7 Drawing Sheets**



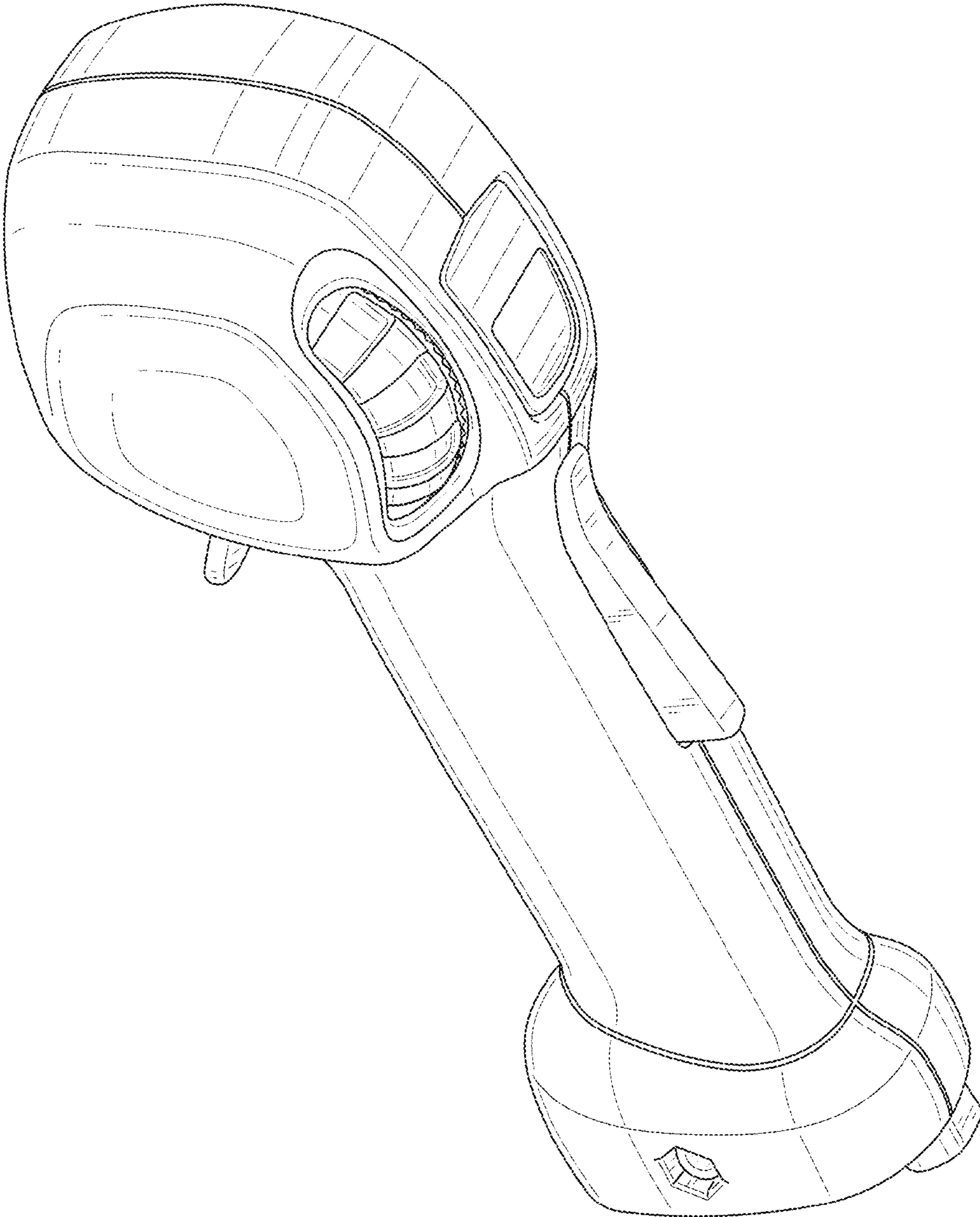


FIG. 1

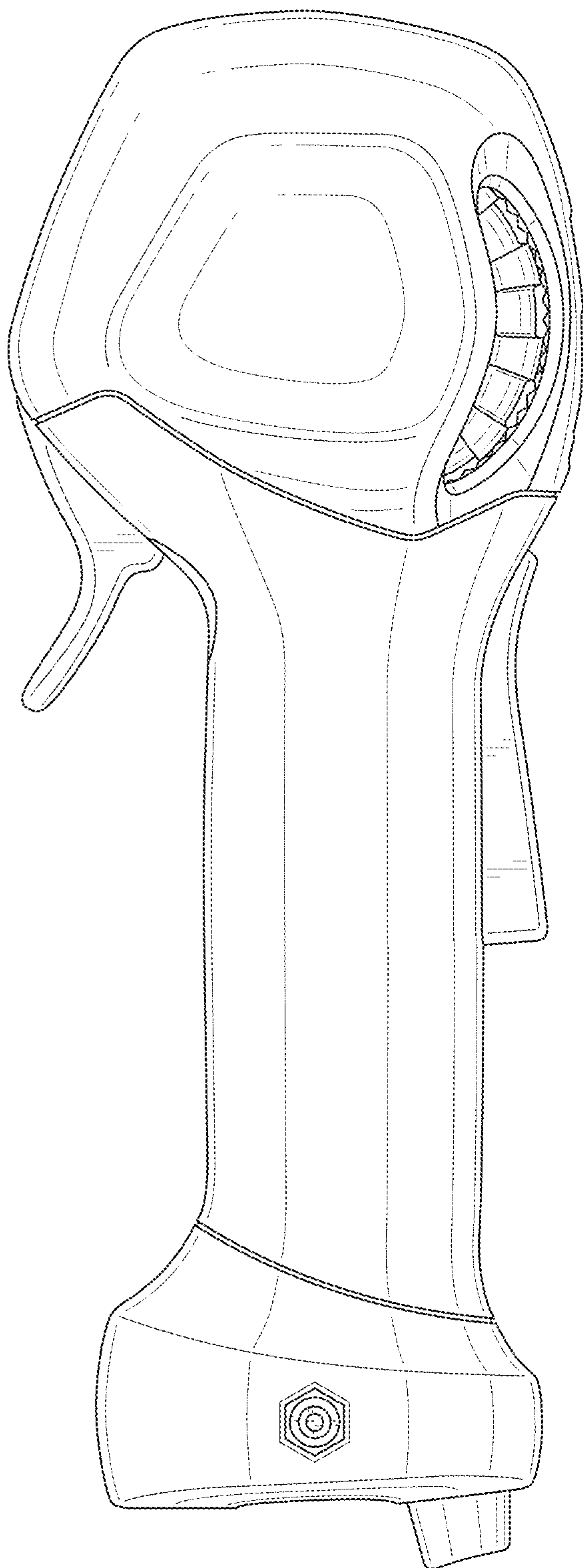


FIG. 2

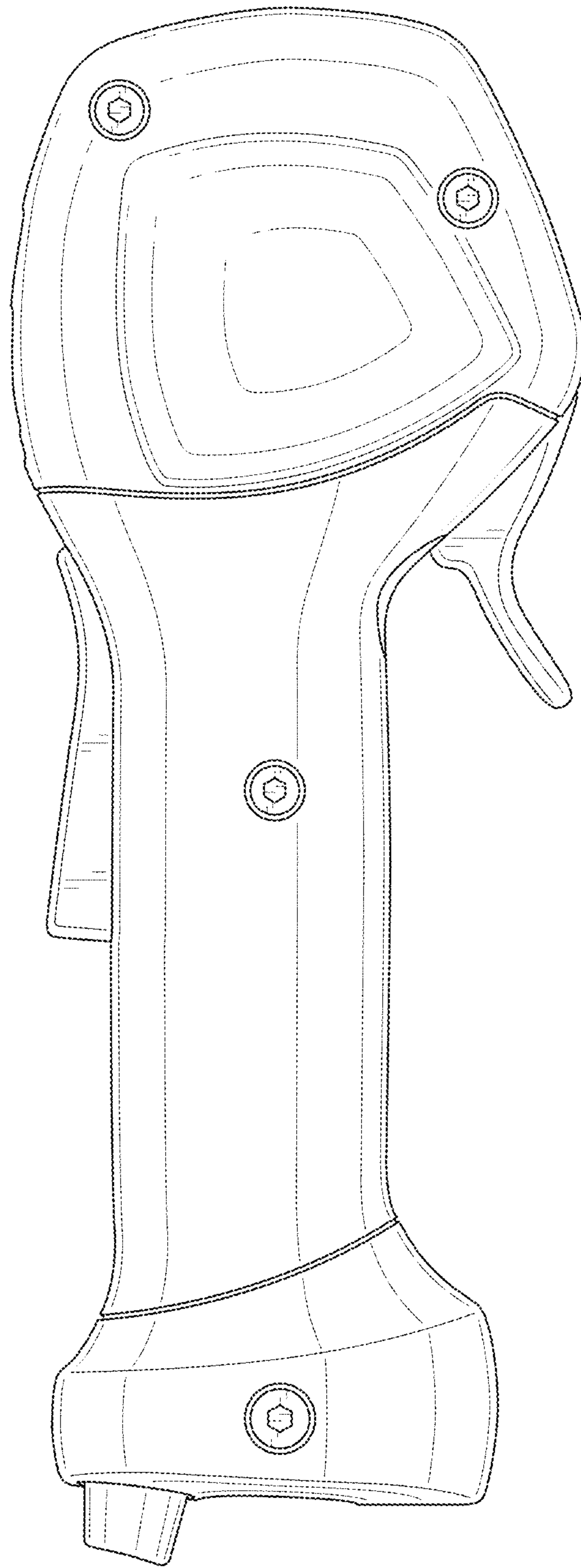


FIG. 3



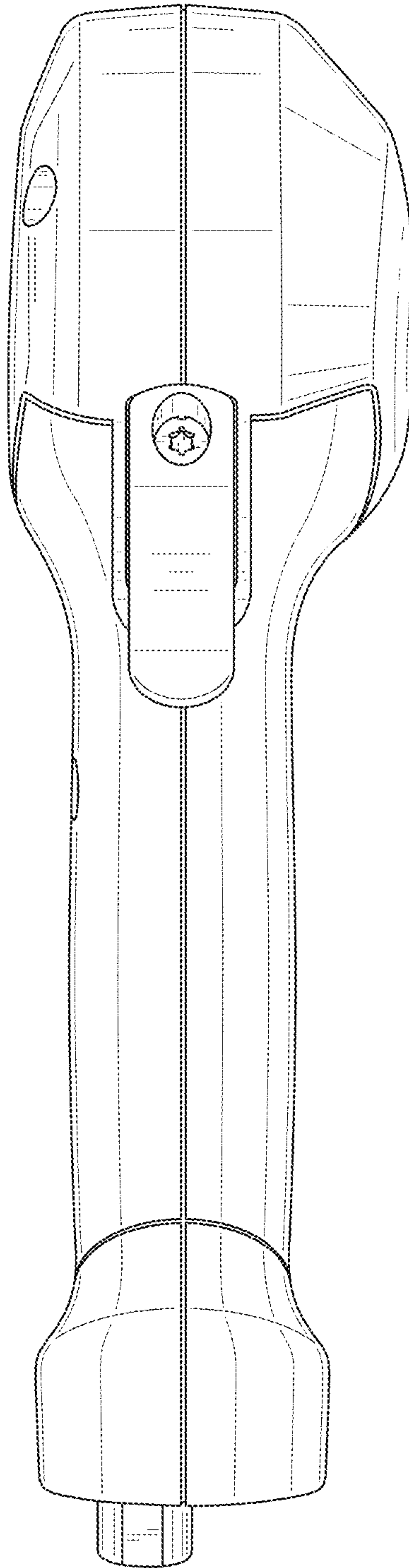


FIG. 4

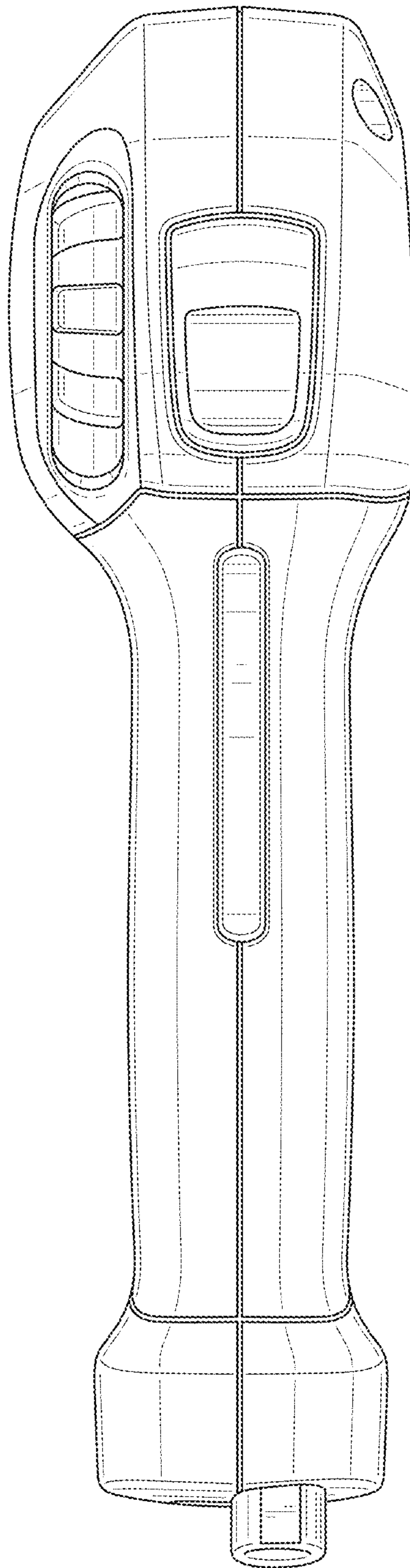


FIG. 5

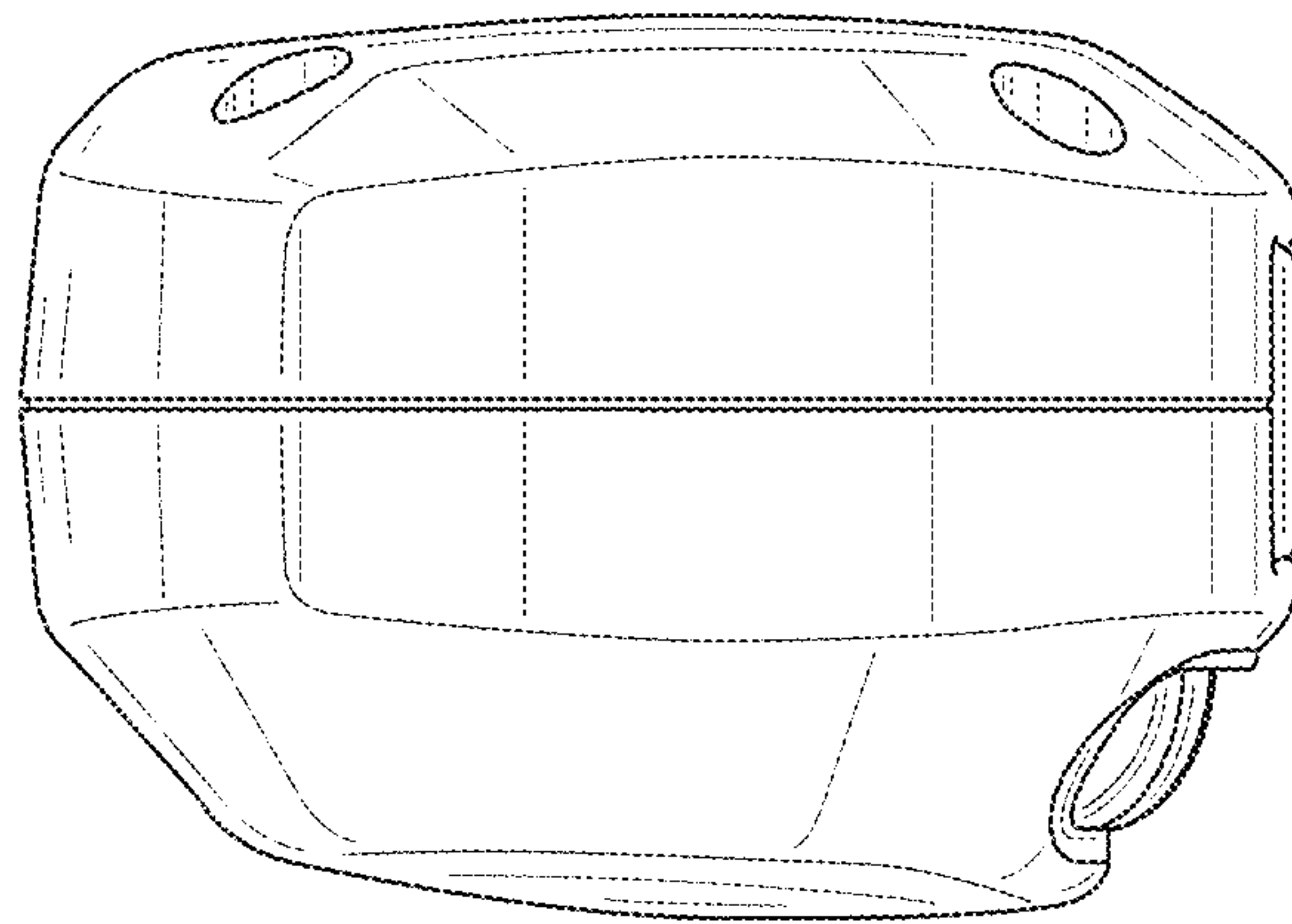


FIG. 6

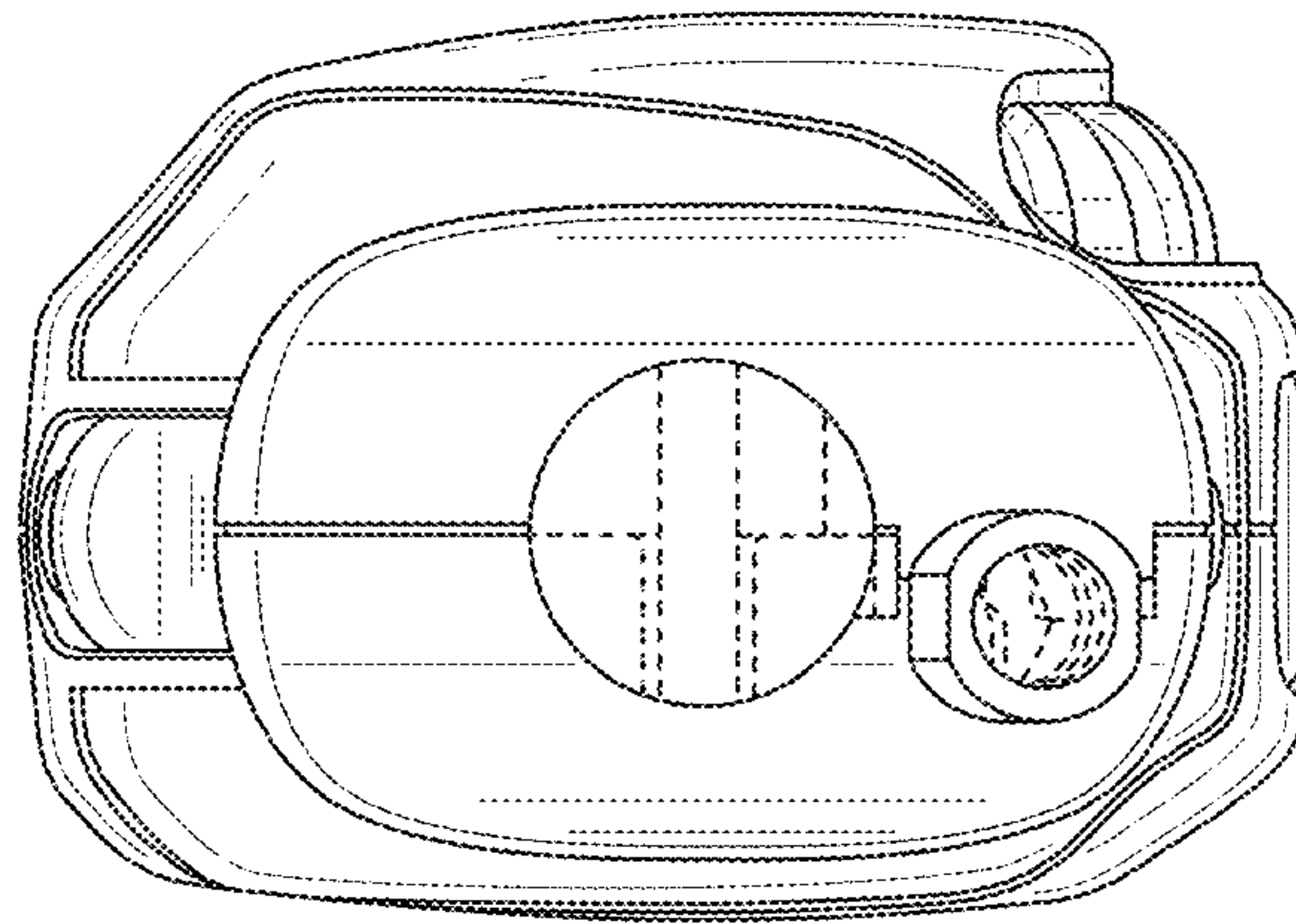


FIG. 7