

US00D692286S

(12) **United States Design Patent**
Hager

(10) **Patent No.:** **US D692,286 S**

(45) **Date of Patent:** **** Oct. 29, 2013**

(54) **CANNING JAR TOOL**

(75) Inventor: **Scott Hager**, Muncie, IN (US)

(73) Assignee: **Hearthmark, LLC**, Daleville, IN (US)

(**) Term: **14 Years**

(21) Appl. No.: **29/418,593**

(22) Filed: **Apr. 18, 2012**

(51) **LOC (9) Cl.** **07-99**

(52) **U.S. Cl.**
USPC **D8/40; D8/14**

(58) **Field of Classification Search**
USPC D8/14, 16-19, 333-43, 88, 89, 105;
7/113, 151-156; 30/400-410,
30/416-430, 433, 434, 443, 450; 81/3.07,
81/3.09, 3.2, 3.27, 3.29, 3.31, 3.35, 3.37,
81/3.4, 3.45, 3.48, 3.49, 3.55
See application file for complete search history.

(56) **References Cited**

U.S. PATENT DOCUMENTS

1,402,731	A *	1/1922	Asplund	81/3.44
1,471,353	A *	10/1923	Pihl	81/3.42
2,648,128	A *	8/1953	Tanking, Jr.	30/435
2,837,947	A *	6/1958	Handford et al.	81/3.25

2,992,575	A *	7/1961	Medwid	81/3.56
3,389,622	A *	6/1968	Flugel	81/3.09
D230,815	S *	3/1974	Ono	D8/22
5,054,338	A *	10/1991	Weis	81/3.09
7,100,473	B2 *	9/2006	Hefi et al.	81/3.4
D562,095	S *	2/2008	Ivey	D8/40

* cited by examiner

Primary Examiner — Garth Rademaker

(74) *Attorney, Agent, or Firm* — Lawrence J. Shurupoff

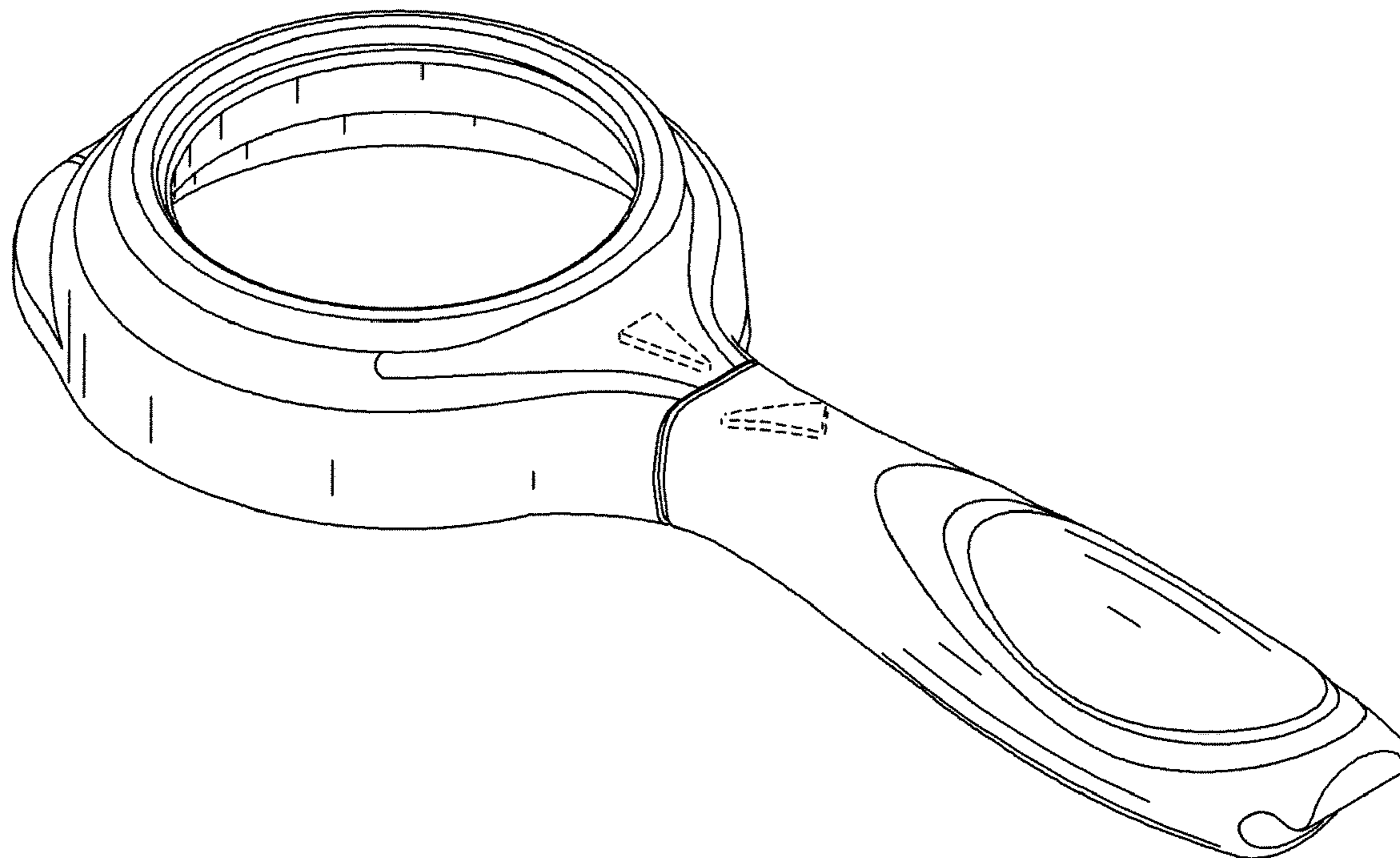
(57) **CLAIM**

The ornamental design for a canning jar tool, as shown and described.

DESCRIPTION

FIG. 1 is a top right perspective view of a canning jar tool; FIG. 2 is a top plan view thereof; FIG. 3 is a left side view thereof; FIG. 4 is a bottom plan view thereof; FIG. 5 is a right side view thereof; FIG. 6 is a front elevation view thereof; and, FIG. 7 is a rear elevation view thereof. The broken lines depict portions of the canning jar tool, which form no part of the claimed design.

1 Claim, 6 Drawing Sheets



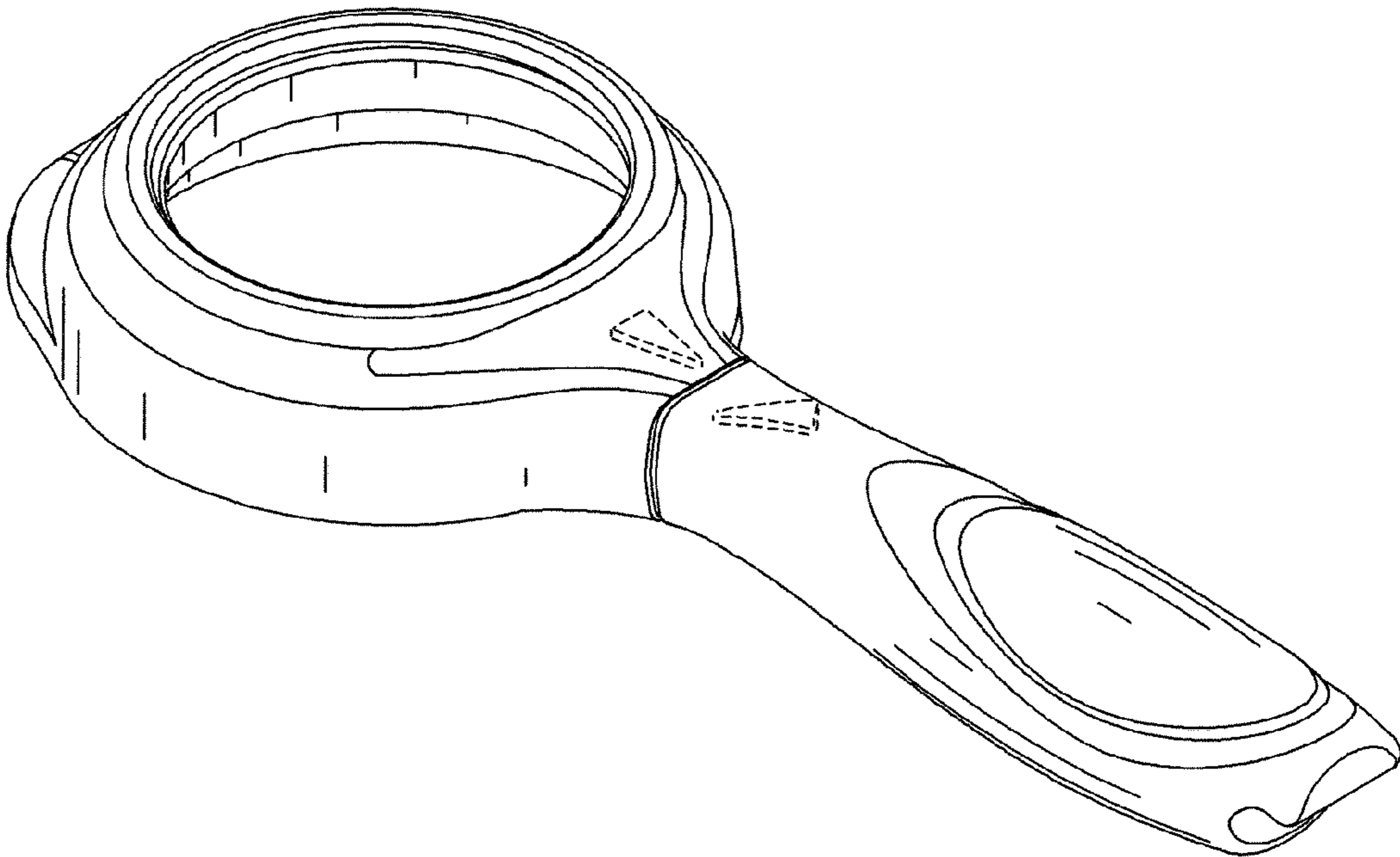


FIG 1

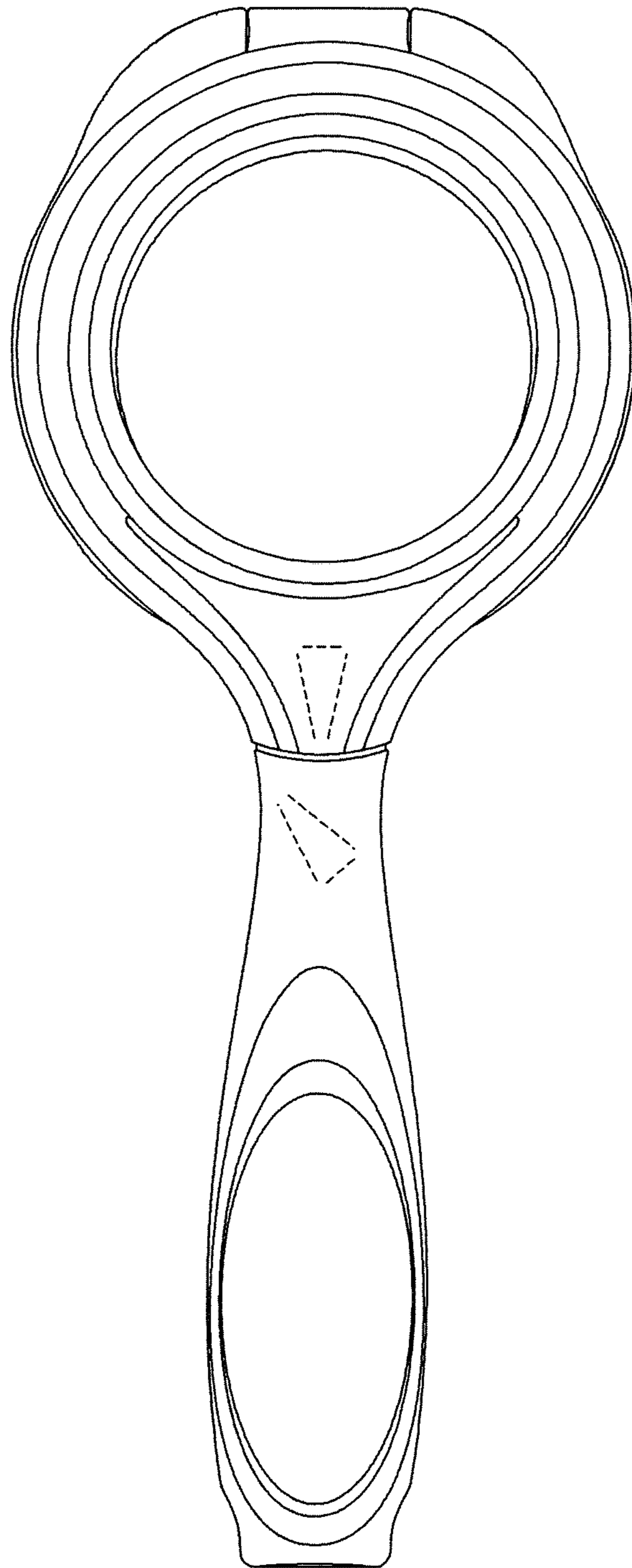


FIG 2

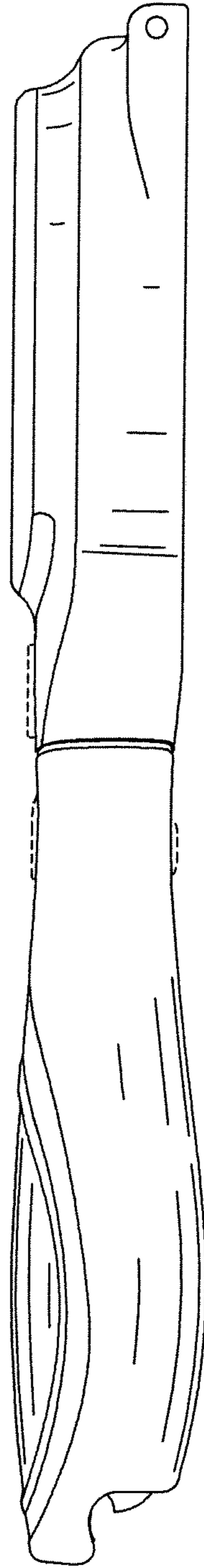


FIG 3

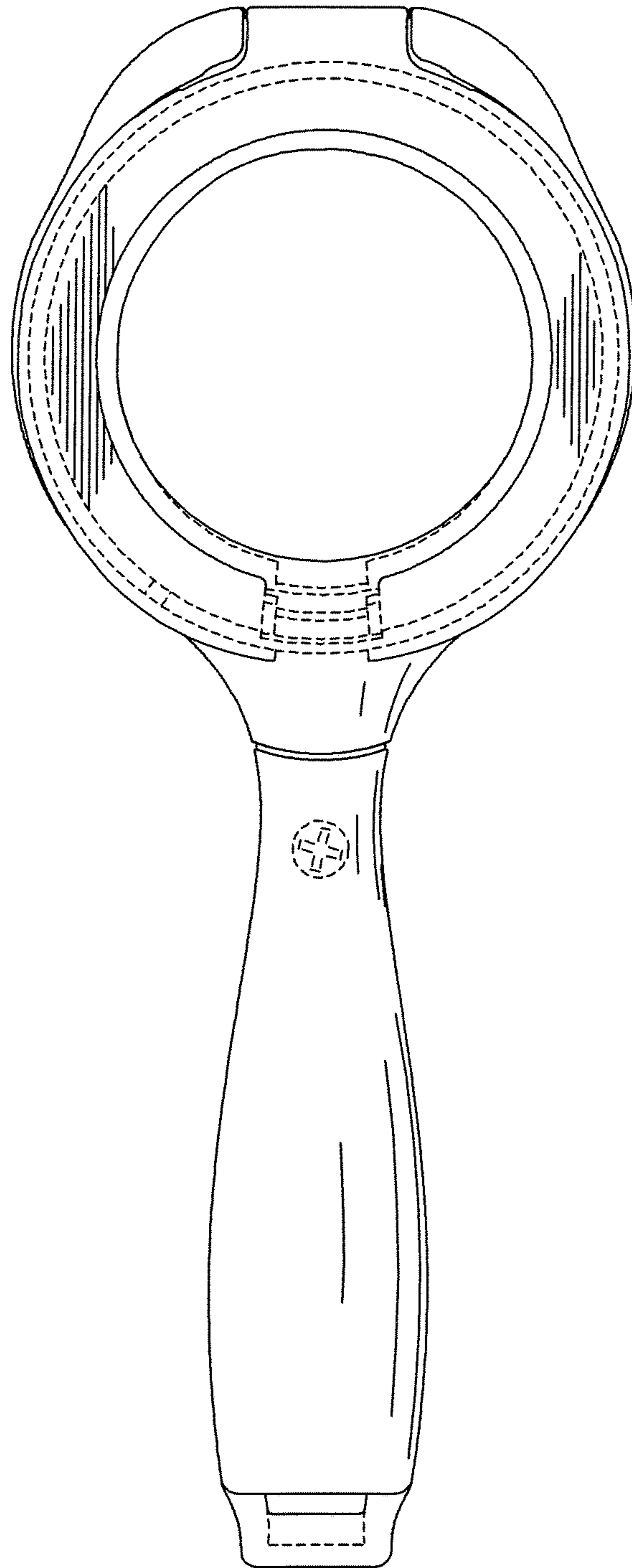


FIG 4

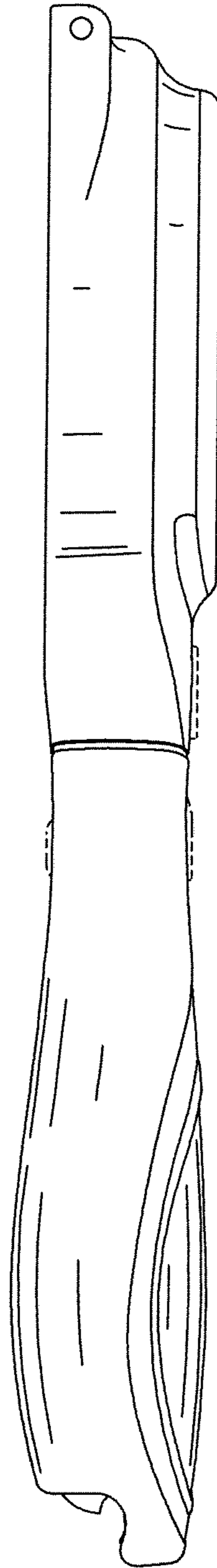


FIG 5

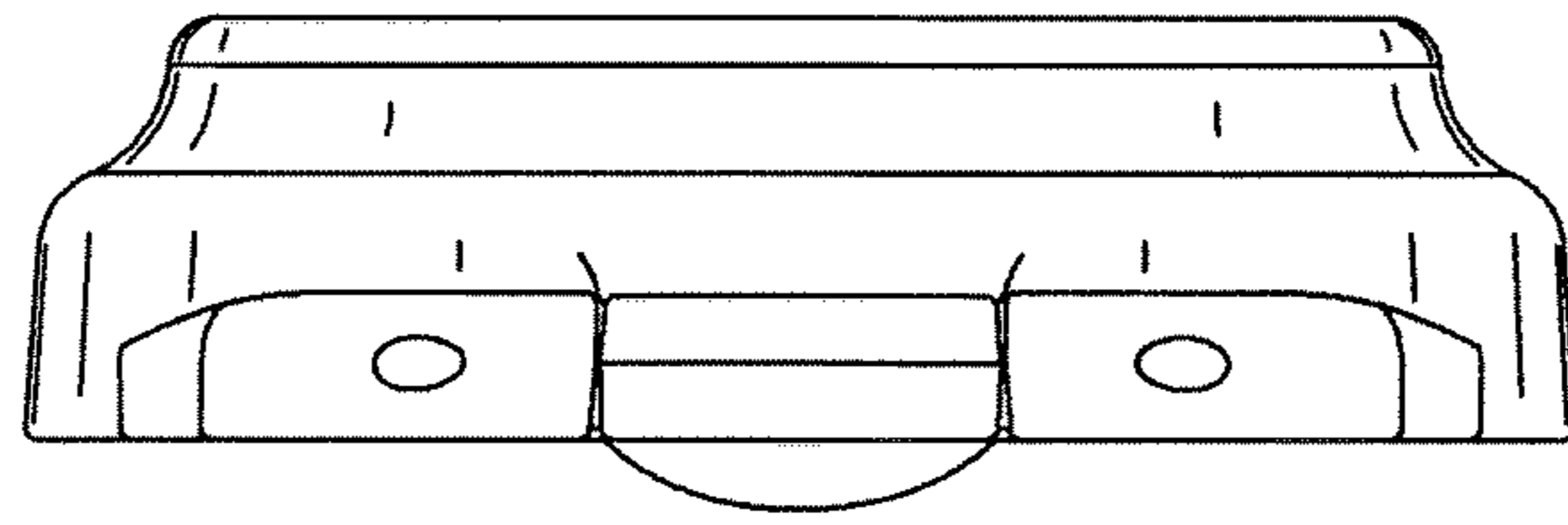


FIG 6

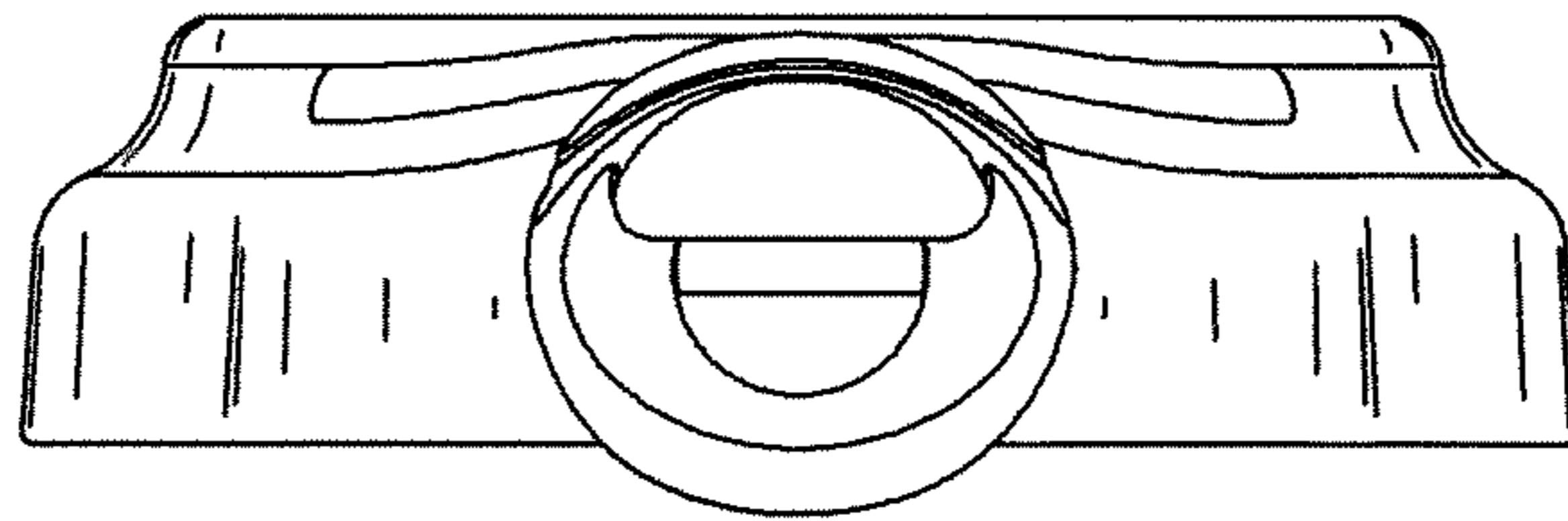


FIG 7