



US00D692284S

(12) **United States Design Patent**
Horito et al.

(10) **Patent No.:** **US D692,284 S**

(45) **Date of Patent:** **** Oct. 29, 2013**

(54) **COMBINED SPOON AND SPATULA**

(75) Inventors: **Michael Horito**, Provo, UT (US); **John R. Omdahl, II**, Lindon, UT (US); **Lee Croy**, Salt Lake City, UT (US); **Tyler F. Allan**, Springville, UT (US)

(73) Assignee: **Fenix Outdoor AB**, Oernskoeldsvik (SE)

(**) Term: **14 Years**

(21) Appl. No.: **29/398,679**

(22) Filed: **Aug. 3, 2011**

(51) **LOC (9) Cl.** **07-06**

(52) **U.S. Cl.**
USPC **D7/686**

(58) **Field of Classification Search**
USPC D7/653, 368, 669, 683, 684, 685, 686,
D7/687, 688, 691, 692; 30/324, 325, 326,
30/327, 328, 150; 294/99.1, 99.2, 100,
294/103.1, 103.2, 104, 106, 118, 119,
294/119.1, 8.5, 7, 8

See application file for complete search history.

(56) **References Cited**

U.S. PATENT DOCUMENTS

D53,903	S	*	10/1919	Grier	D24/152
D221,348	S	*	8/1971	Myer	D7/686
3,596,965	A	*	8/1971	Woofter	294/8
4,728,139	A	*	3/1988	Oretti	294/99.2
D297,008	S	*	8/1988	Sofy	D7/686
D313,537	S	*	1/1991	Chisholm	D7/686
D459,954	S	*	7/2002	Wang et al.	D7/686
D477,189	S	*	7/2003	Bull et al.	D7/686
D481,915	S	*	11/2003	Mezger-Boehringer	D7/686
D496,229	S	*	9/2004	Kaposi	D7/686
D502,367	S	*	3/2005	Claypool et al.	D7/686
D509,413	S	*	9/2005	Marsden et al.	D7/686

D526,543	S	*	8/2006	Mullen	D7/686
D531,463	S	*	11/2006	Jarvis et al.	D7/686
D593,382	S	*	6/2009	Lion et al.	D7/686
7,637,547	B2	*	12/2009	Schneider	294/16
D608,606	S	*	1/2010	Heroux	D7/686
D628,029	S	*	11/2010	Rothman	D7/686
D631,710	S	*	2/2011	Jossem et al.	D7/686
7,922,225	B2	*	4/2011	Li	294/3
D664,815	S	*	8/2012	Difante	D7/686
D664,816	S	*	8/2012	Difante	D7/686
8,256,808	B2	*	9/2012	Spellman	294/3
D671,377	S	*	11/2012	Roberts	D7/686
2002/0117869	A1	*	8/2002	Wang et al.	294/16

* cited by examiner

Primary Examiner — Elizabeth J Oswecki

(74) *Attorney, Agent, or Firm* — Collard & Roe, P.C.

(57) **CLAIM**

The ornamental design for a combined spoon and spatula, as shown and described.

DESCRIPTION

FIG. 1 is a top and side perspective view of a combined spoon and spatula, showing our new design in an assembled, state with the handles unfolded;

FIG. 2 is a bottom view thereof;

FIG. 3 is a side view thereof;

FIG. 4 is an opposite side view thereof;

FIG. 5 is a top view thereof;

FIG. 6 is an enlarged rear view thereof;

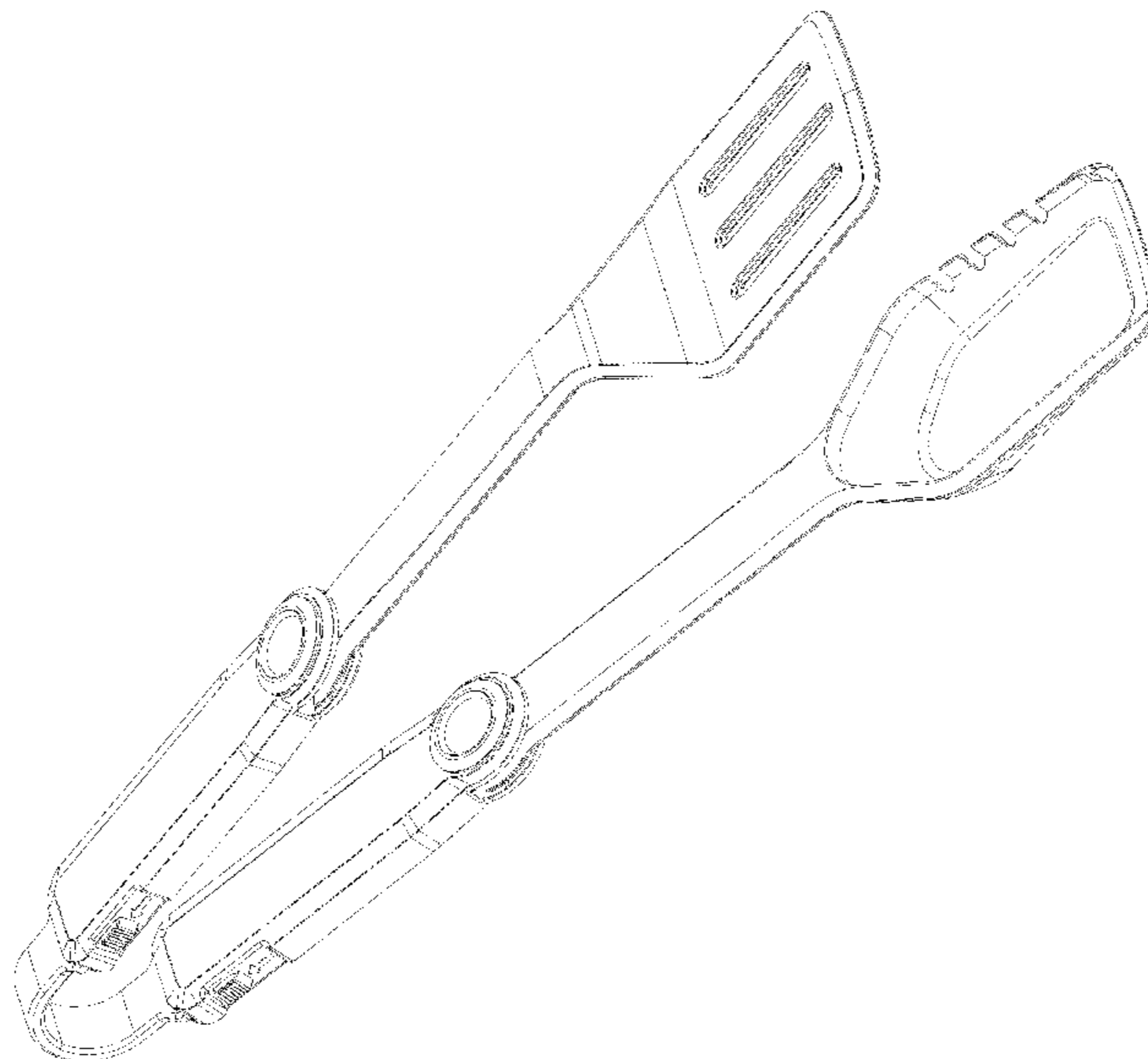
FIG. 7 is an enlarged front view thereof;

FIG. 8 is a top perspective view of the combined spoon and spatula in a disassembled, state with the handles unfolded; and,

FIG. 9 is a top perspective view thereof with the handles folded.

The portions shown in broken lines show environmental structure only and form no part of the claimed design.

1 Claim, 9 Drawing Sheets



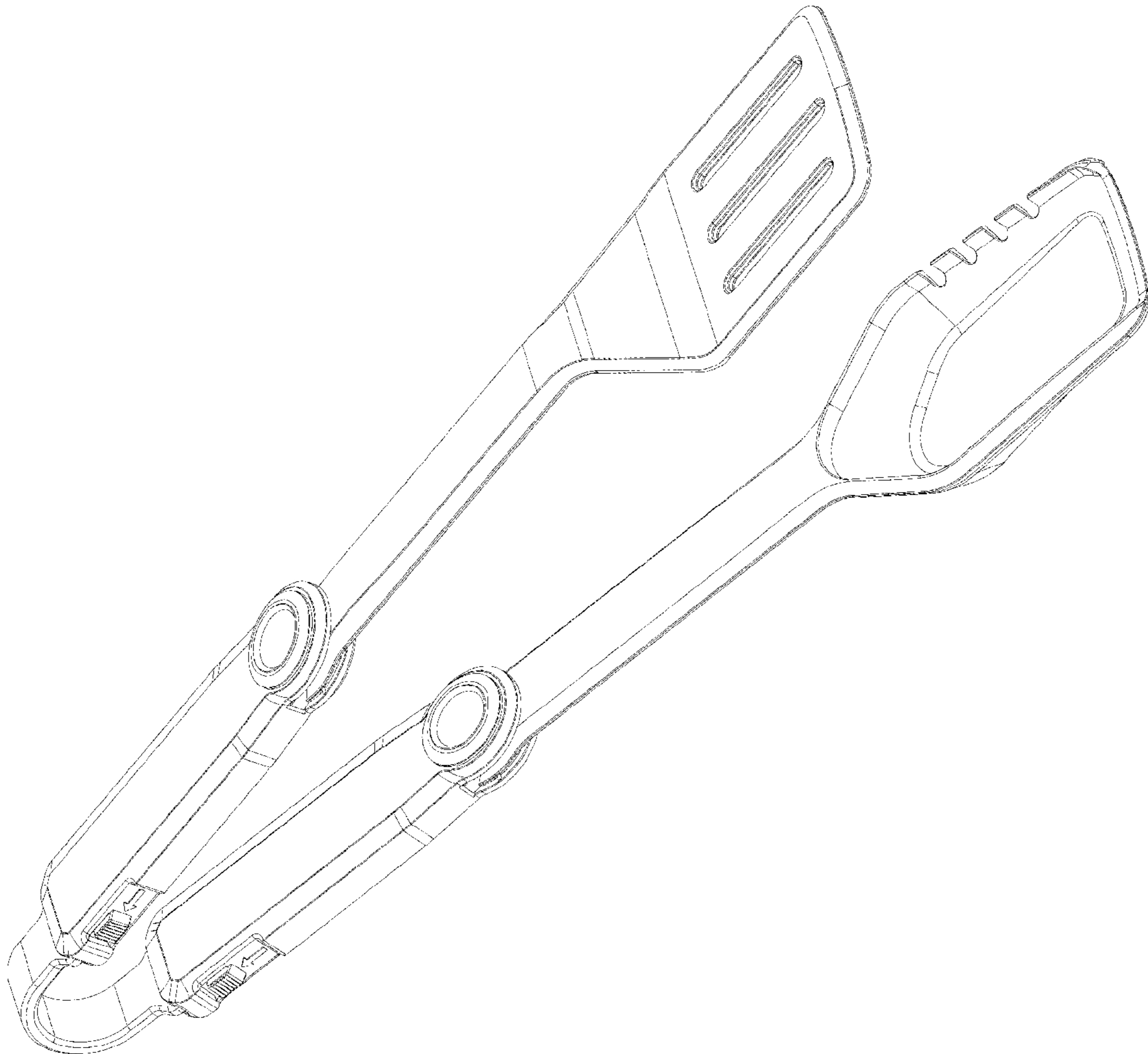


FIG. 1

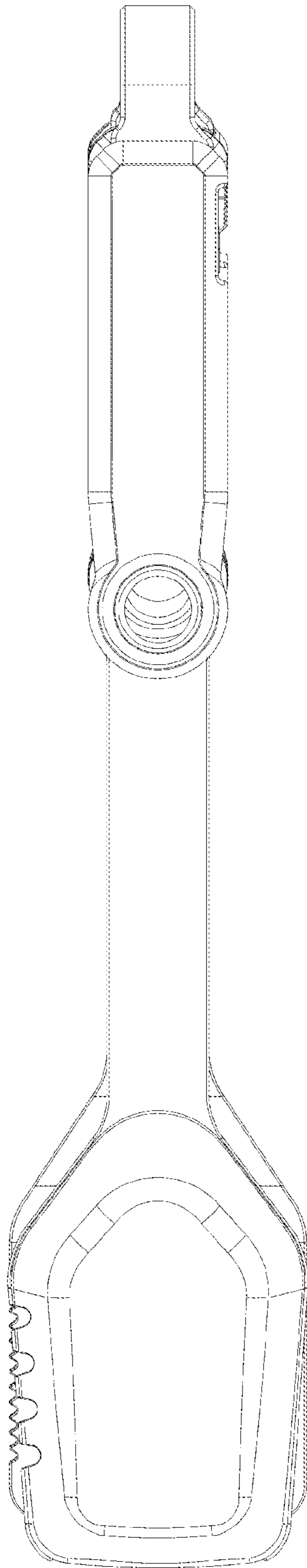


FIG. 2

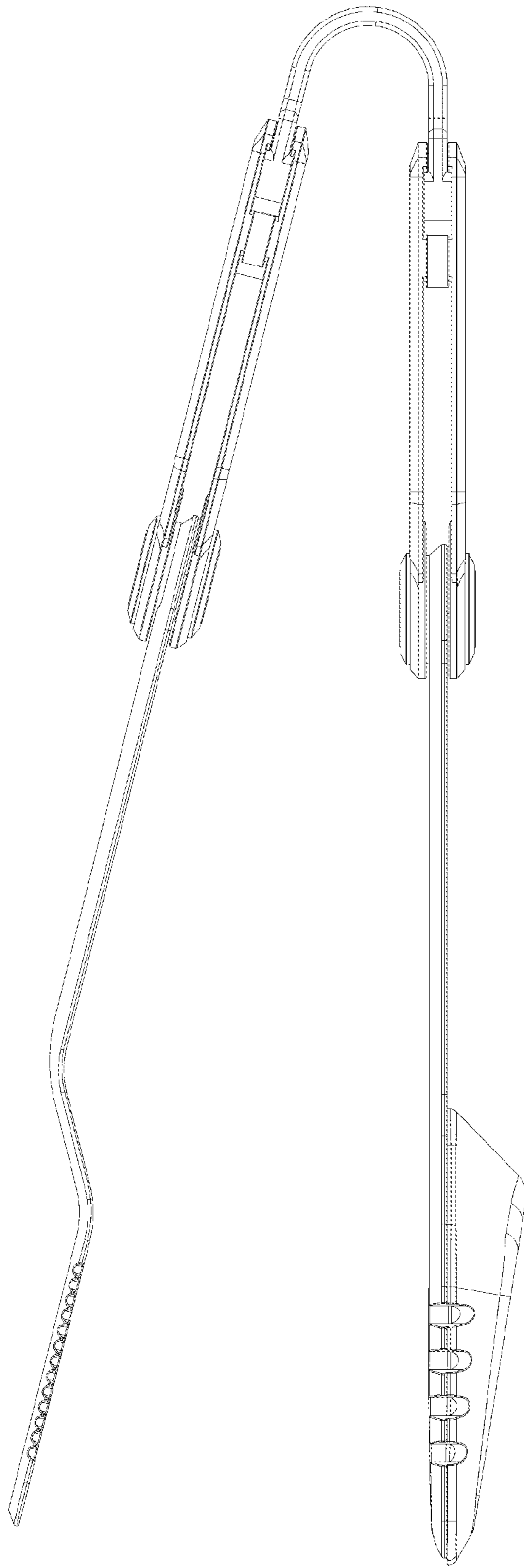


FIG. 3

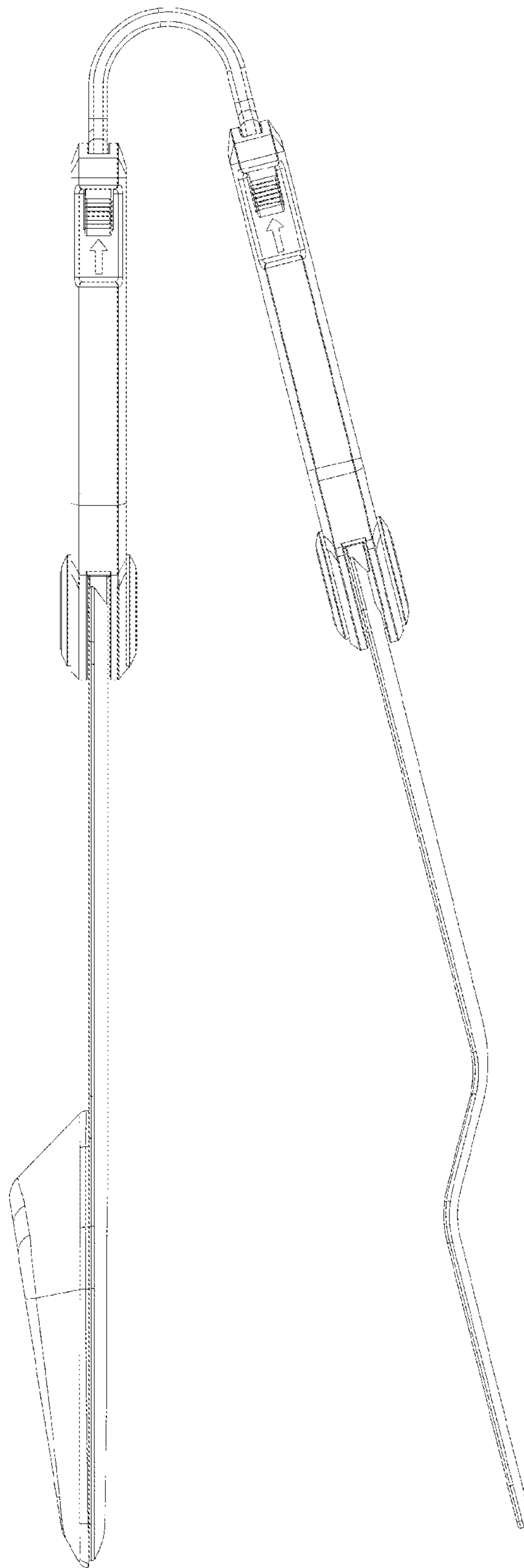


FIG. 4

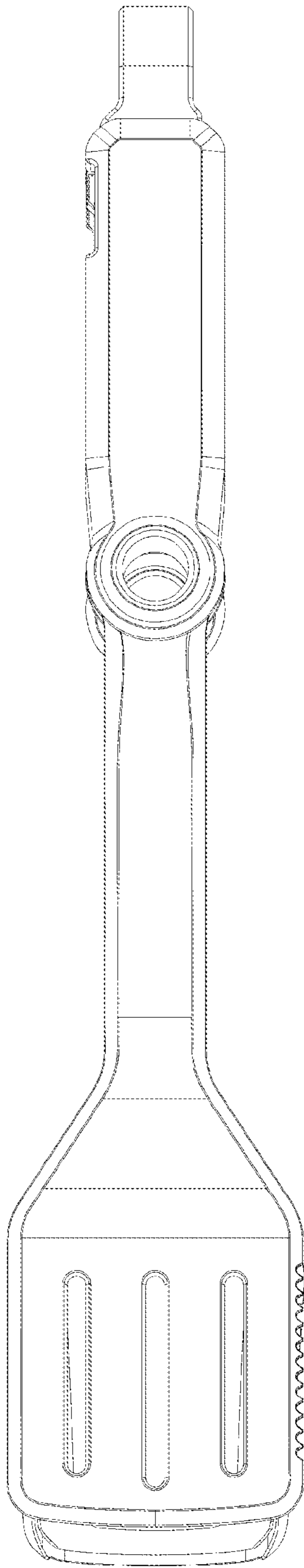


FIG. 5

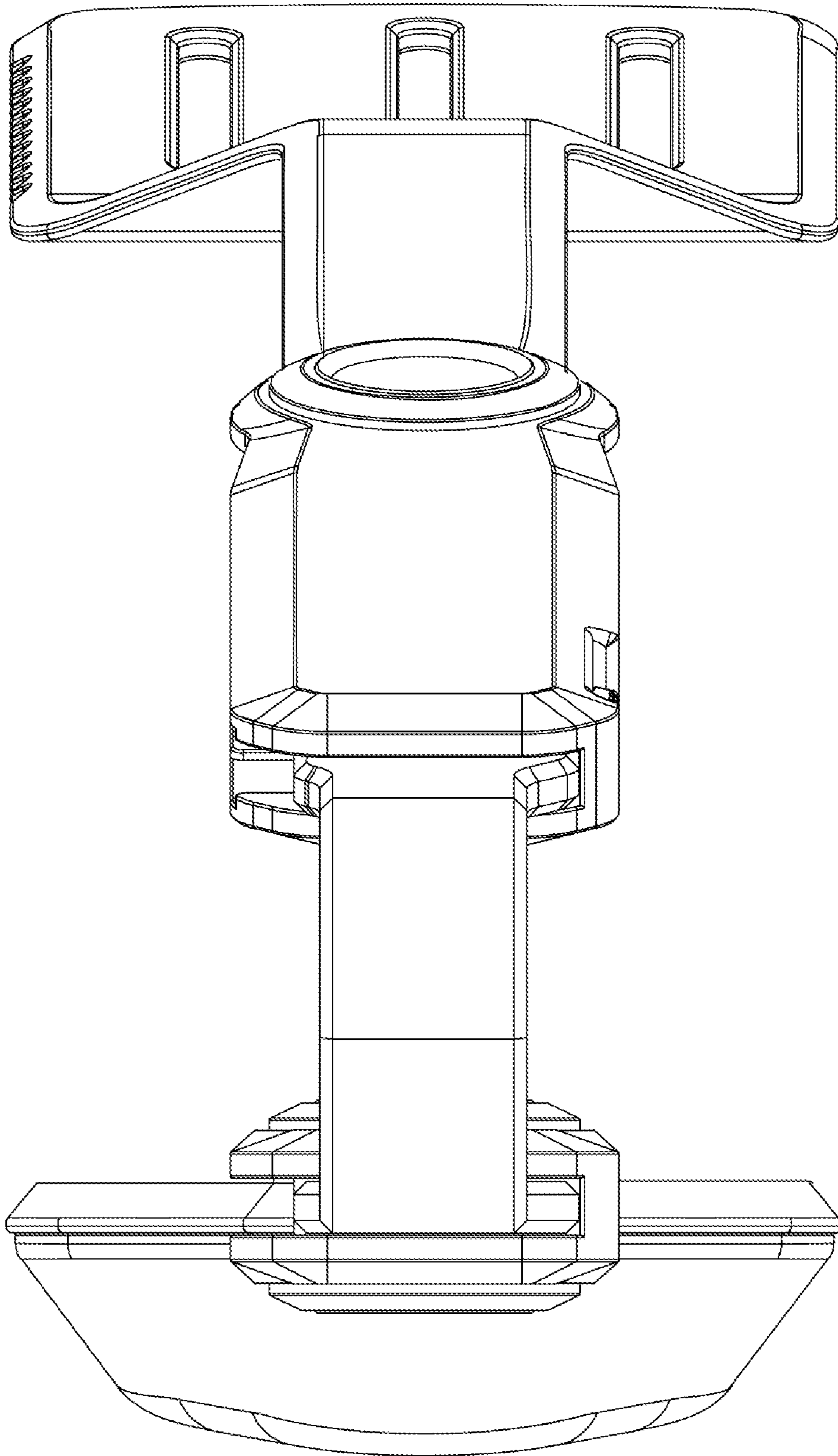


FIG. 6

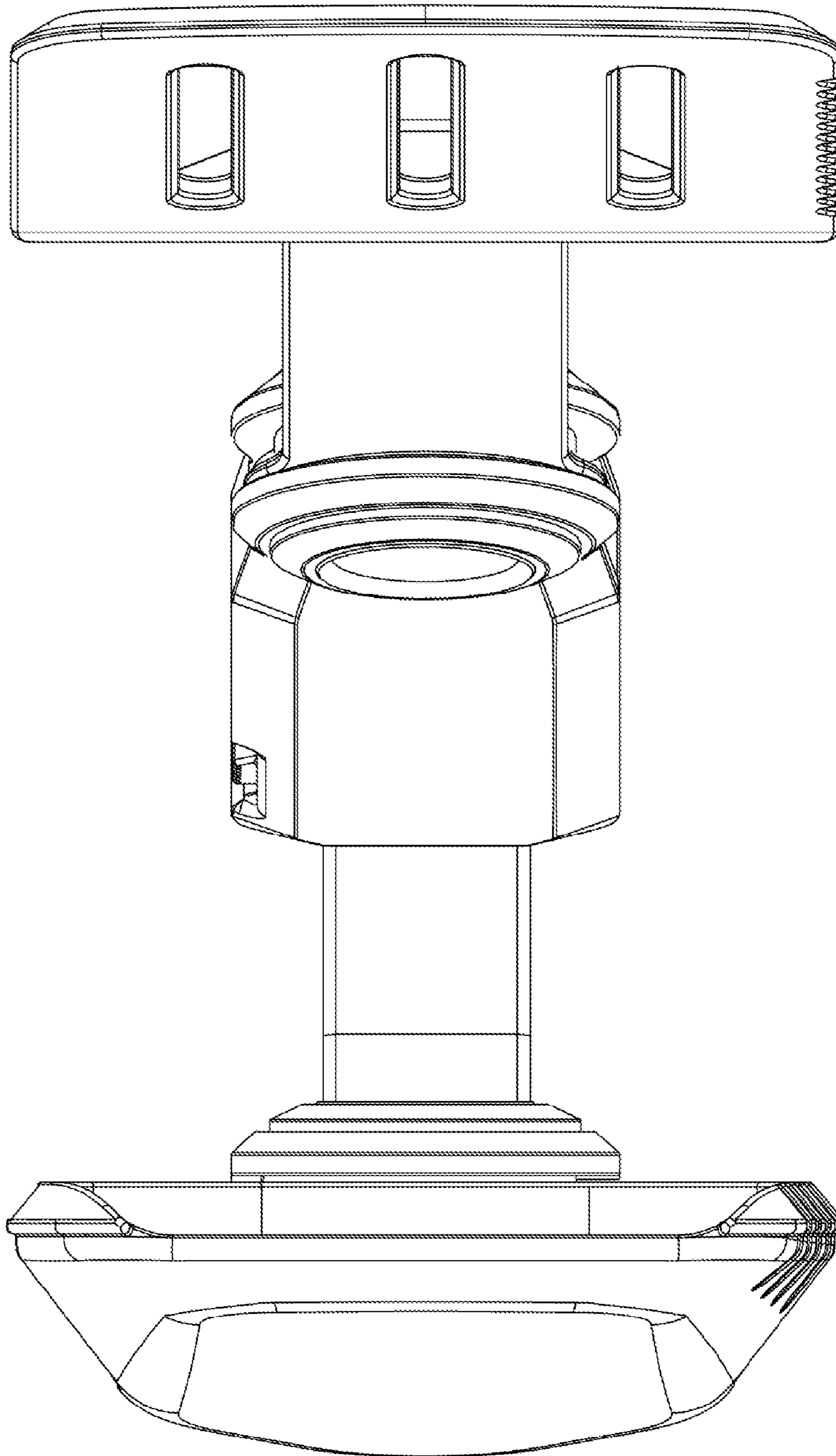


FIG. 7

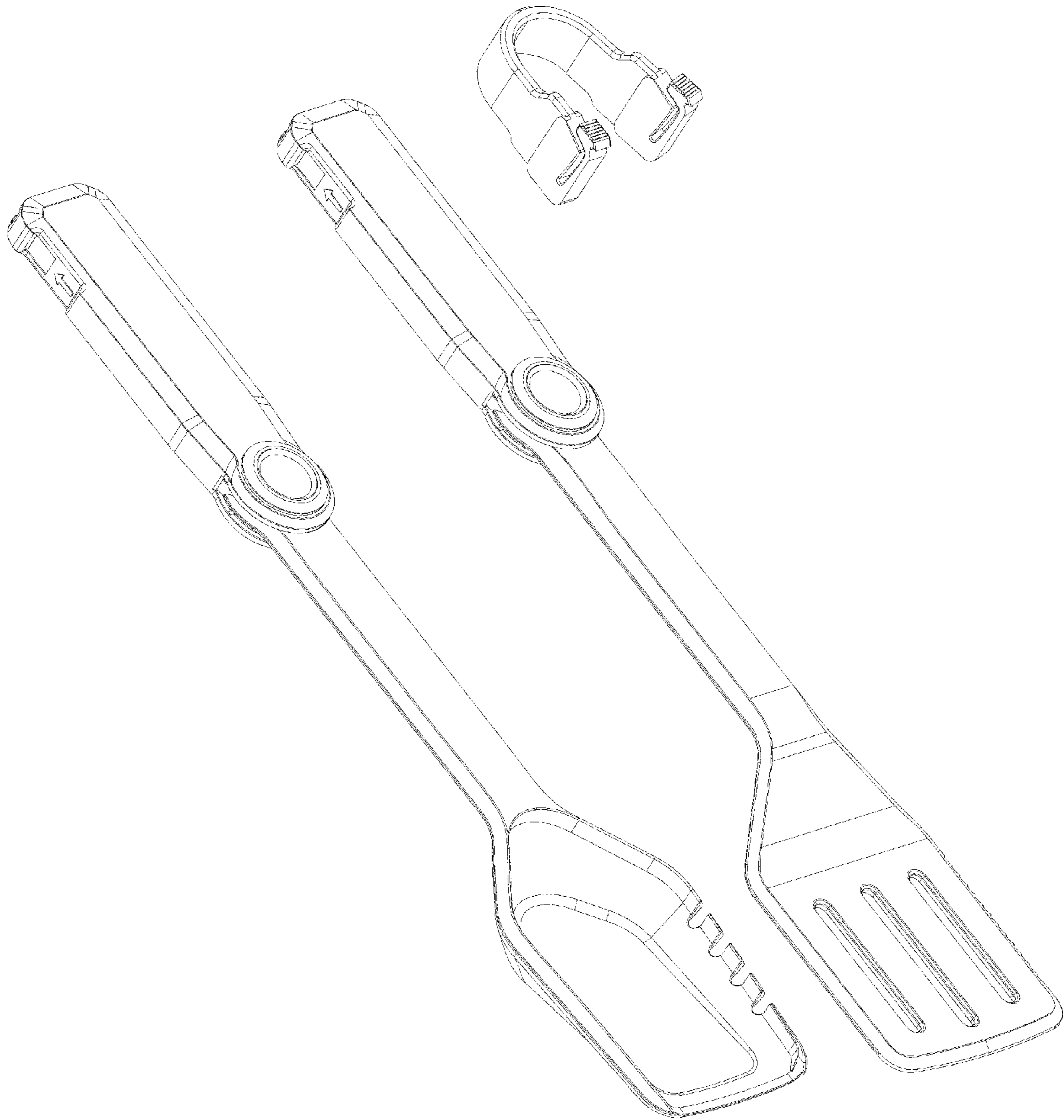


FIG. 8

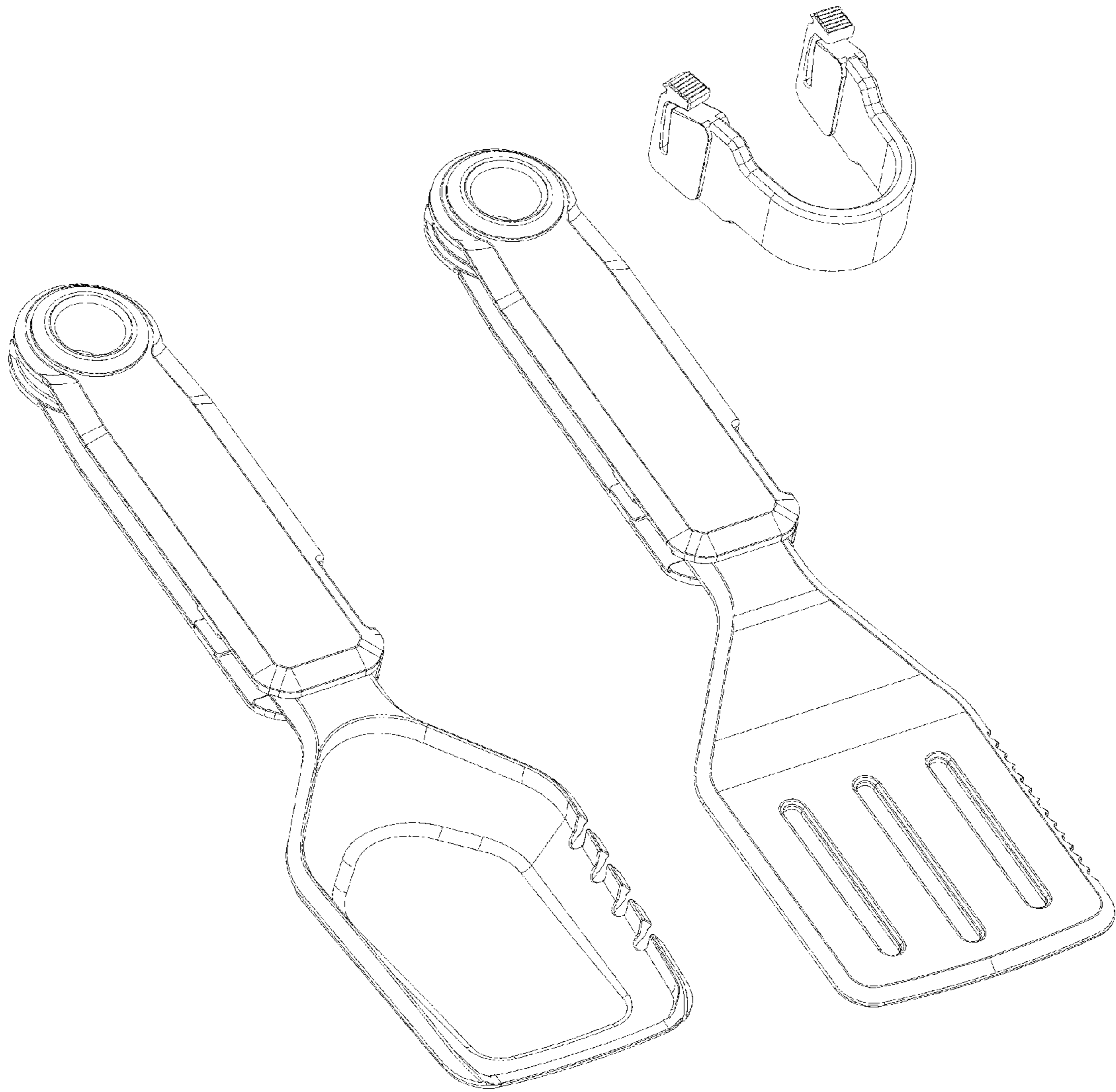


FIG. 9