



US00D692283S

(12) **United States Design Patent**
Logan et al.

(10) **Patent No.:** **US D692,283 S**
(45) **Date of Patent:** **** Oct. 29, 2013**

- (54) **LIQUID EXTRACTION DEVICE**
- (75) Inventors: **Samuel C. Logan**, Sarasota, FL (US);
Sheldon Bloom, Sarasota, FL (US)
- (73) Assignee: **Squeeze Products, LLC**, Sarasota, FL (US)
- (**) Term: **14 Years**
- (21) Appl. No.: **29/390,799**
- (22) Filed: **Apr. 29, 2011**
- (51) **LOC (9) Cl.** **07-04**
- (52) **U.S. Cl.**
USPC **D7/666; D7/665**
- (58) **Field of Classification Search**
USPC D7/368, 388, 665–666, 669, 680, 683,
D7/686, 693; D8/394–395; D9/434–435,
D9/443; D29/118–119; 99/495, 509–510;
100/111, 116, 124, 234; 241/84.3
See application file for complete search history.

3,669,013	A	*	6/1972	Stein	100/211
D299,008	S	*	12/1988	Naslund	D9/443
4,887,335	A	*	12/1989	Folkmar	24/30.5 R
D310,020	S	*	8/1990	Fujioka	D8/396
D317,571	S	*	6/1991	Henriksson	D9/443
D395,201	S	*	6/1998	Cherney et al.	D7/601

* cited by examiner

Primary Examiner — Wan Laymon
(74) *Attorney, Agent, or Firm* — Mark R. Malek; Zies Wideman & Malek

(57) **CLAIM**
The ornamental design for a liquid extraction device, as shown and described.

DESCRIPTION

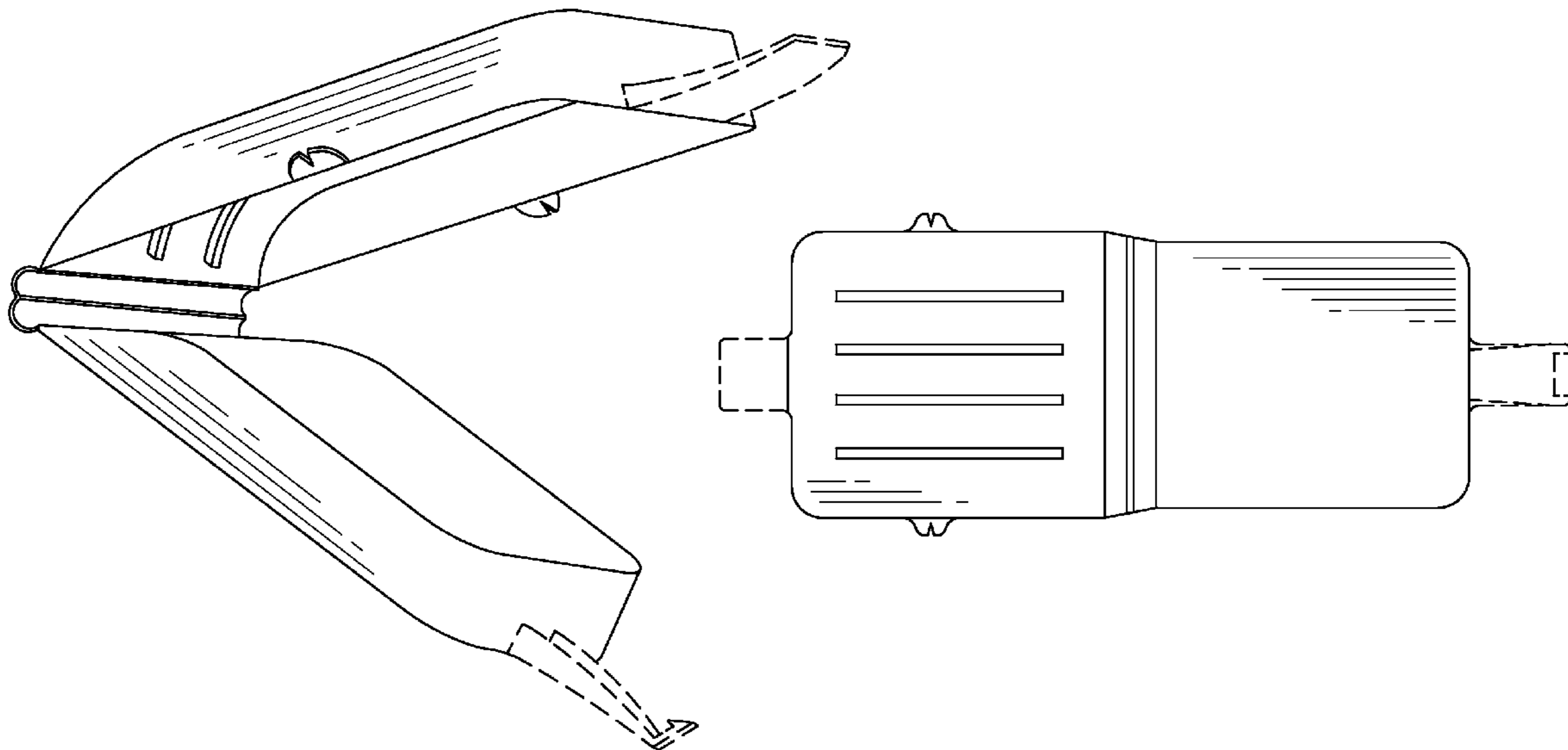
FIG. 1 is a right side prospective view of a liquid extraction device shown in a partially closed position according to the present invention.
 FIG. 2 is a front elevation view of a liquid extraction device according to the present invention.
 FIG. 3 is a rear elevation view of a liquid extraction device according to the present invention.
 FIG. 4 is a top plan view of a liquid extraction device according to the present invention.
 FIG. 5 is a bottom plan view of a liquid extraction device according to the present invention.
 FIG. 6 is a right side elevation view of a liquid extraction device according to the present invention; and,
 FIG. 7 is a left side elevation view of a liquid extraction device according to the present invention.
 The dotted-lines illustrated in the Figures are directed to subject matter that forms no part of the claimed design.

1 Claim, 4 Drawing Sheets

(56) **References Cited**

U.S. PATENT DOCUMENTS

1,866,487	A	*	7/1932	Ritter, Jr.	100/213
1,875,678	A	*	9/1932	Thate	100/213
D124,195	S	*	12/1940	Katzky	D7/666
2,348,304	A	*	5/1944	Nudelman et al.	100/213
2,735,360	A	*	2/1956	Battke	100/234
D201,268	S	*	6/1965	Bode	D7/666
3,630,141	A	*	12/1971	Elshazly	100/234
3,636,870	A	*	1/1972	Arthur	100/211



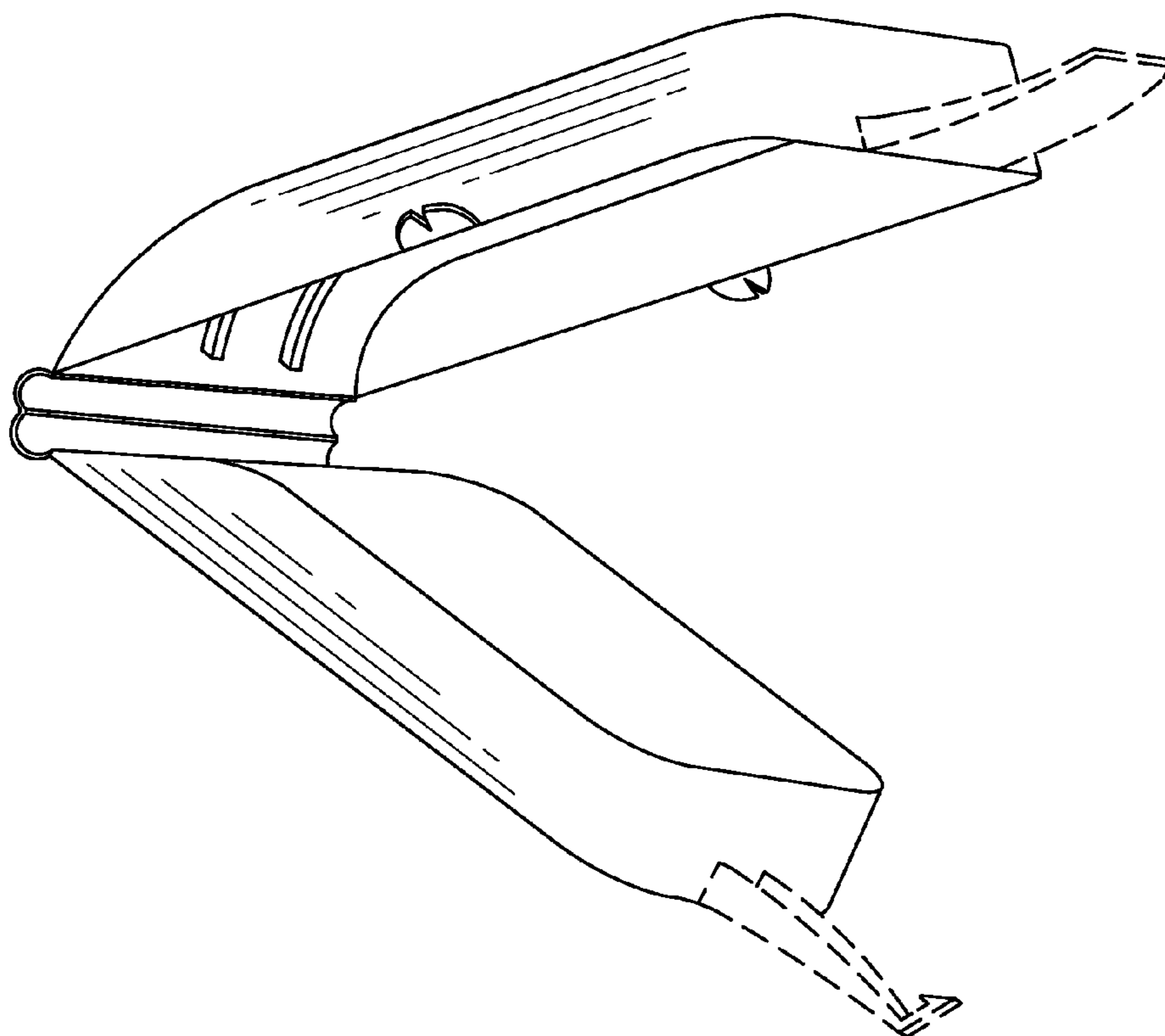


Fig. 1

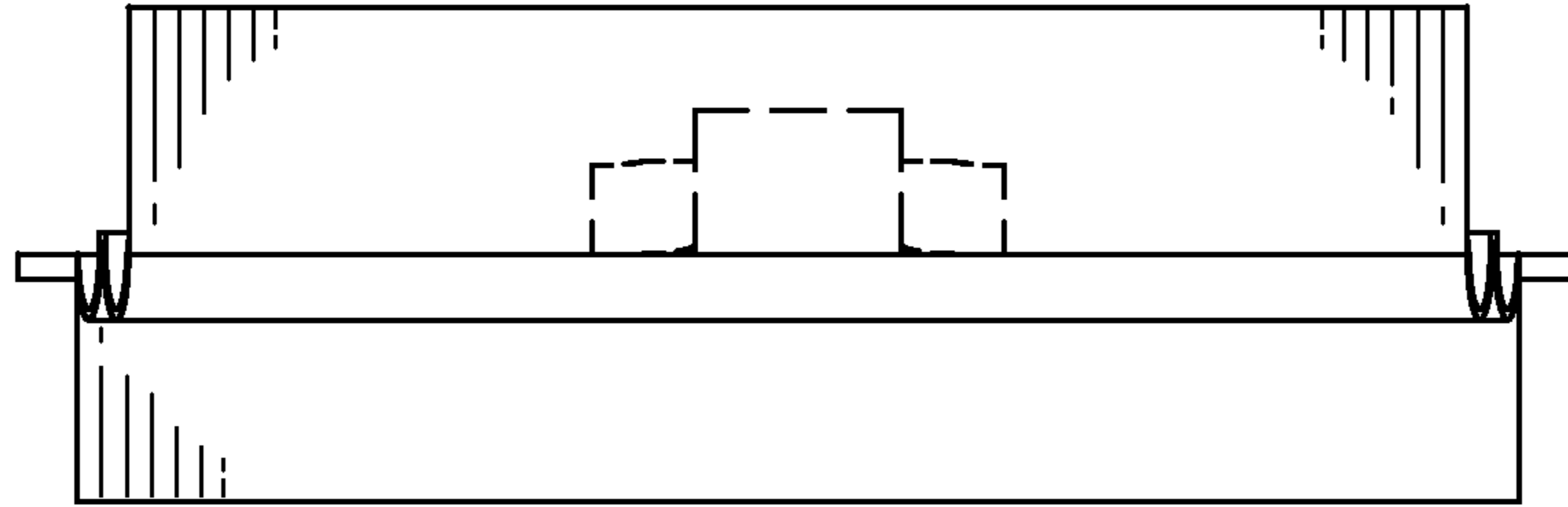


Fig. 2

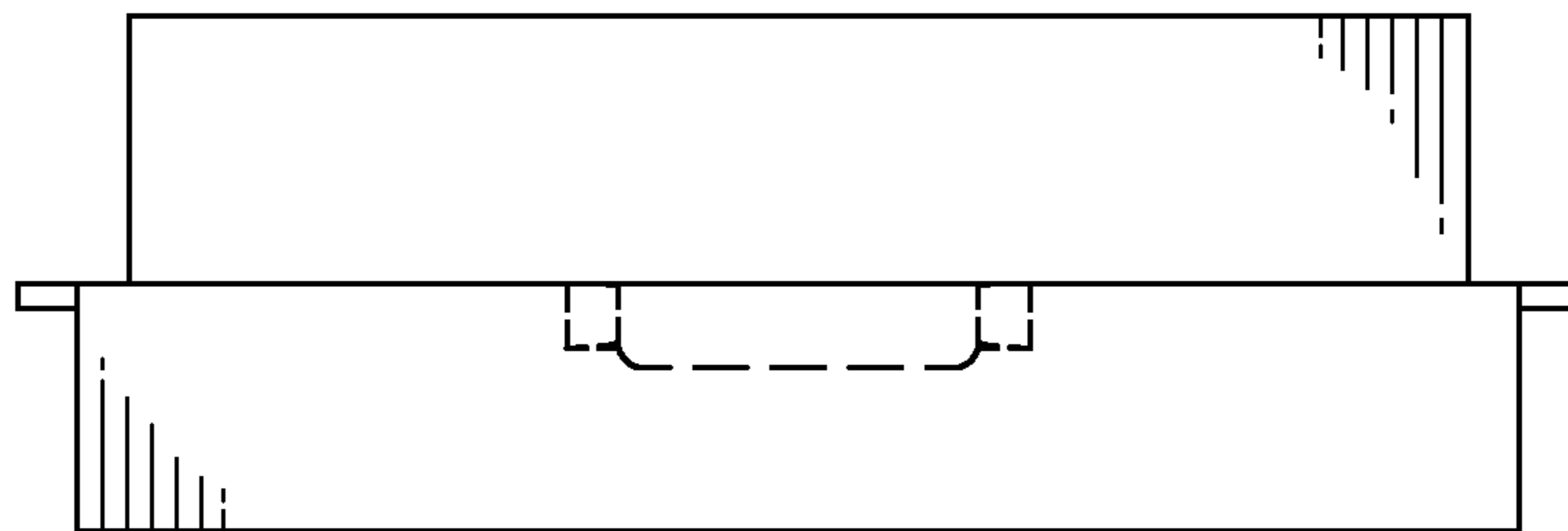


Fig. 3

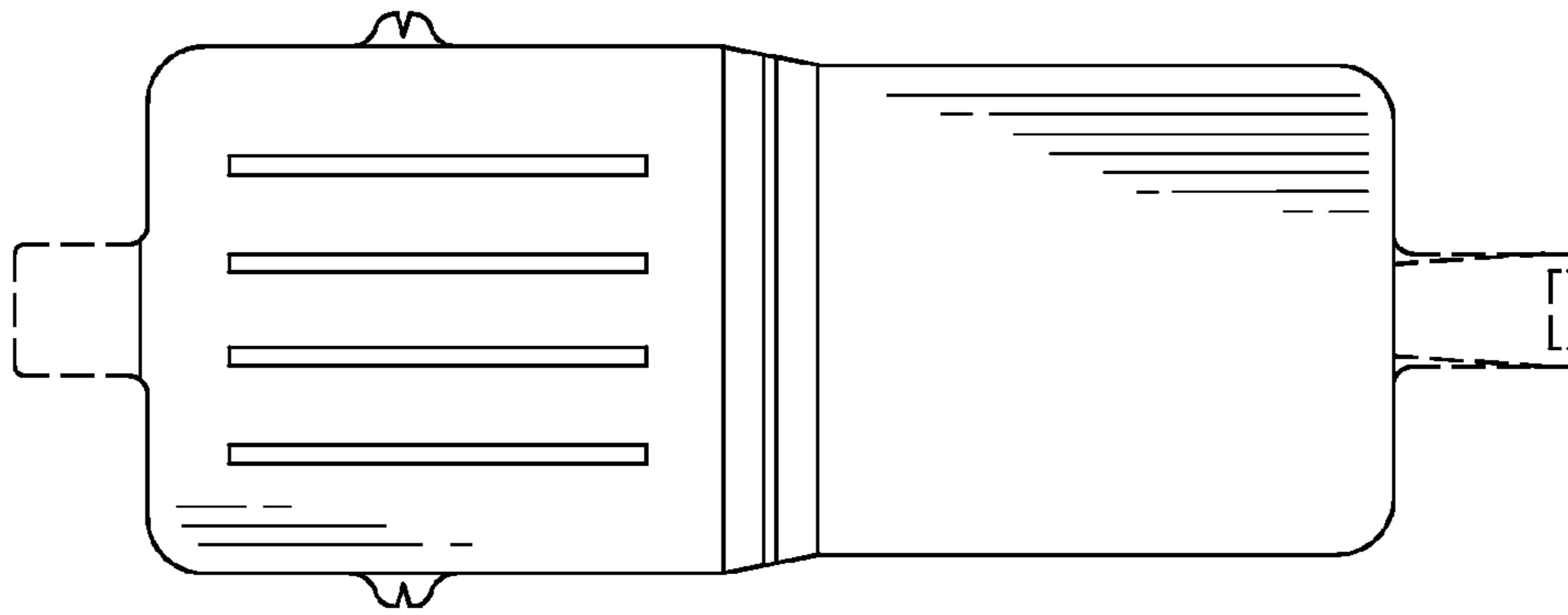


Fig. 4

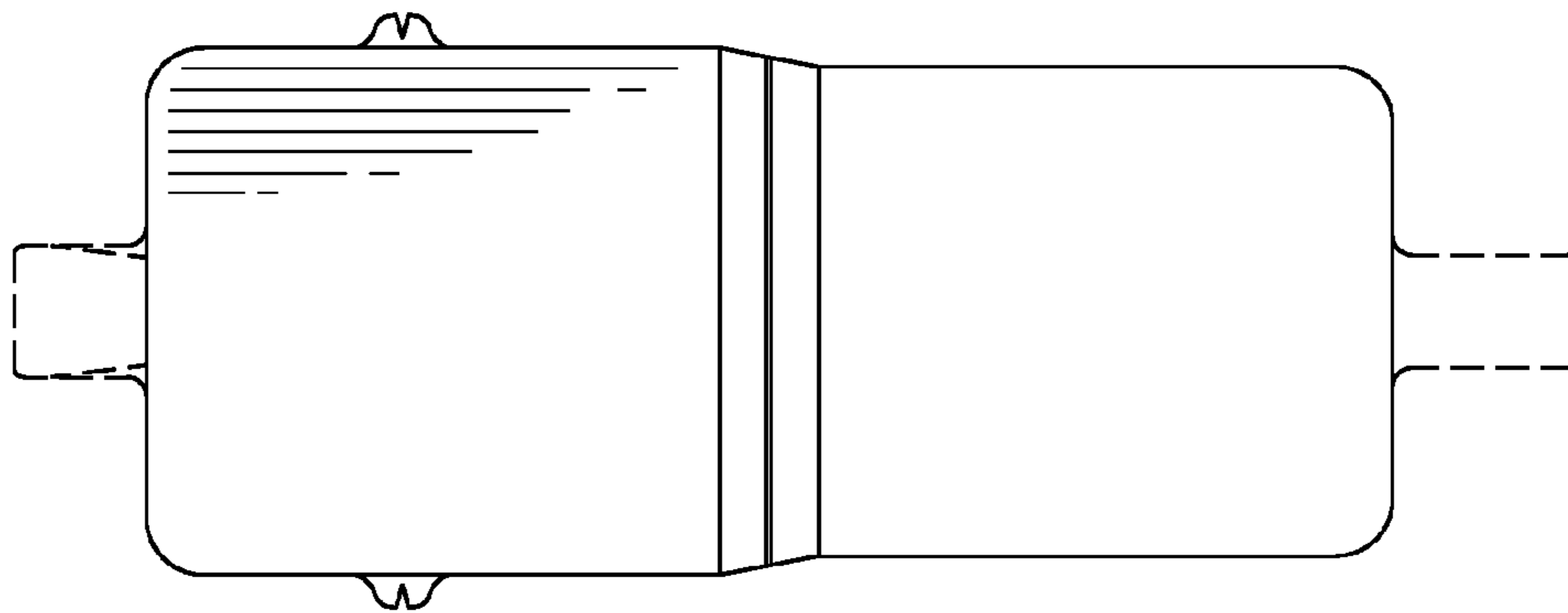


Fig. 5

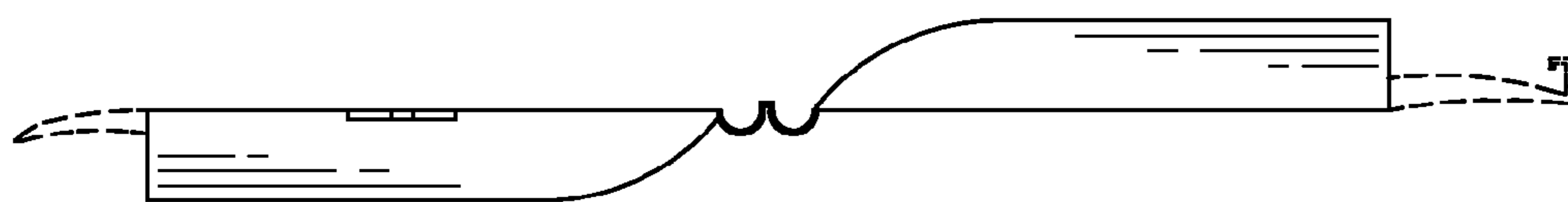


Fig. 6

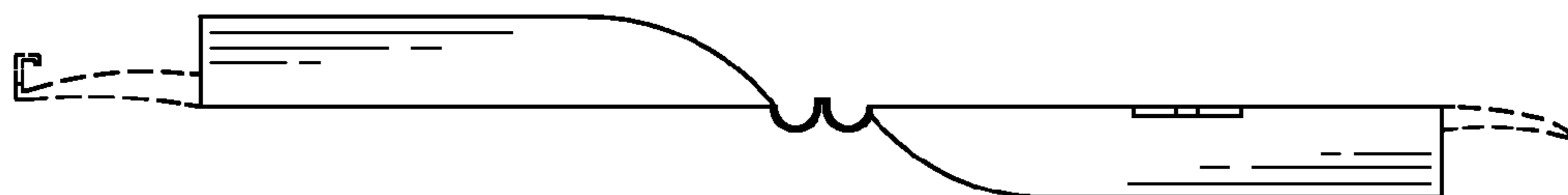


Fig. 7