



US00D692281S

(12) **United States Design Patent**  
**George**

(10) **Patent No.:** **US D692,281 S**

(45) **Date of Patent:** **\*\* Oct. 29, 2013**

(54) **FOOD CONTAINER**

D562,083 S \* 2/2008 Lown et al. .... D7/629  
D617,149 S \* 6/2010 Olivari ..... D7/629

(75) Inventor: **Sarah Danger George**, Vashon, WA  
(US)

\* cited by examiner

(73) Assignee: **Pacific Market International, LLC**,  
Seattle, WA (US)

*Primary Examiner* — Terry Wallace

(74) *Attorney, Agent, or Firm* — Davis Wright Tremaine  
LLP; George C. Rondeau, Jr.

(\*\*) Term: **14 Years**

(57) **CLAIM**

The ornamental design for a food container, as shown and  
described.

(21) Appl. No.: **29/430,523**

**DESCRIPTION**

(22) Filed: **Aug. 27, 2012**

(51) **LOC (9) Cl.** ..... **07-07**

(52) **U.S. Cl.**  
USPC ..... **D7/629**

(58) **Field of Classification Search**  
USPC ..... D7/629, 630, 601, 602, 538–542;  
D9/424–432; D3/201–203.8, 273, 274;  
220/780–806, 574–575, 675, 236, 326,  
220/324, 4.23–4.25

See application file for complete search history.

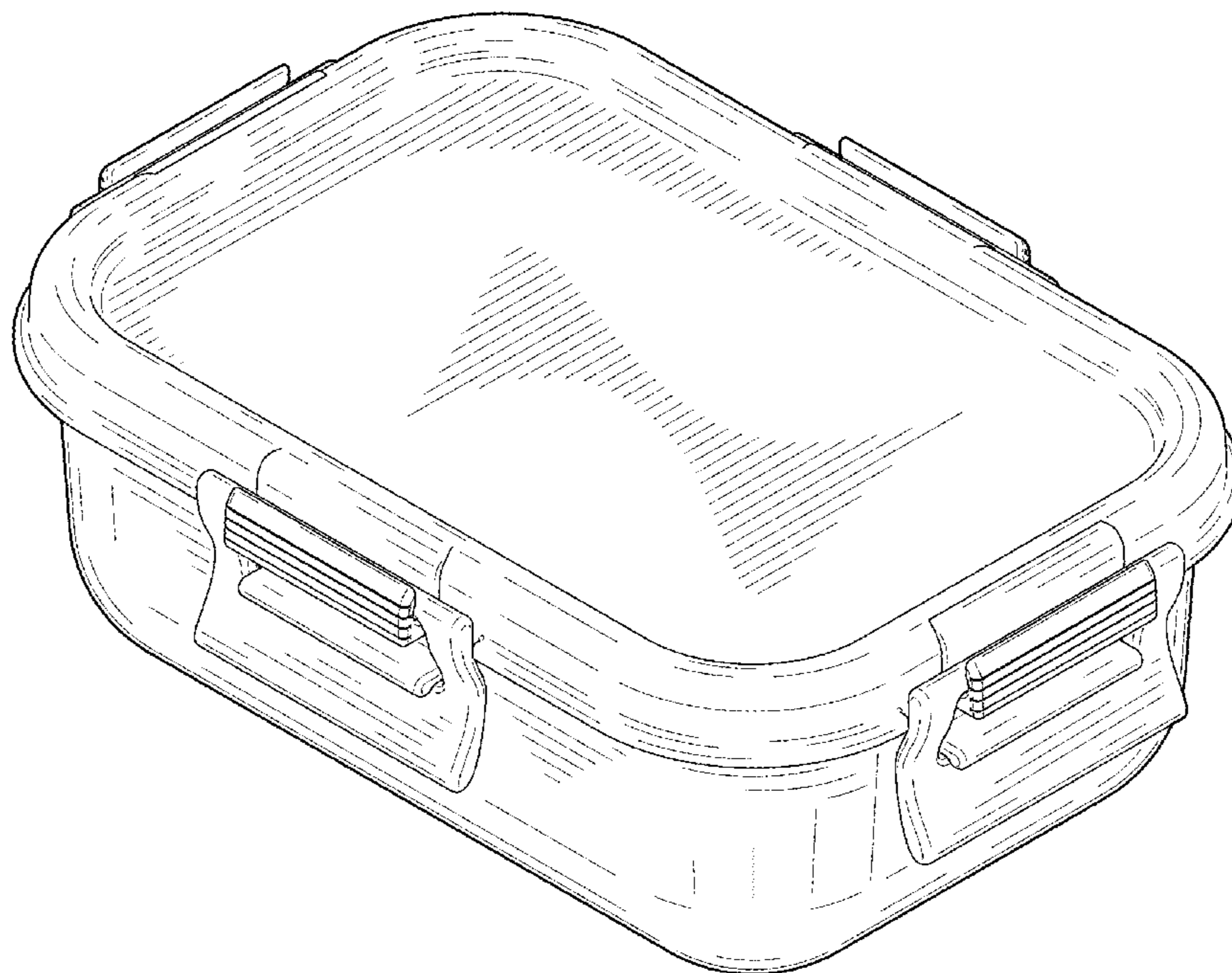
FIG. 1 is a top front perspective view of a food container  
showing my new design.  
FIG. 2 is a top plan view thereof.  
FIG. 3 is a front elevational view thereof.  
FIG. 4 is a left side elevational view thereof.  
FIG. 5 is a right side elevational view thereof.  
FIG. 6 is a rear elevational view thereof.  
FIG. 7 is a bottom plan view thereof.  
FIG. 8 is a top front perspective view of a second embodiment  
thereof.  
FIG. 9 is a top plan view thereof.  
FIG. 10 is a front elevational view thereof.  
FIG. 11 is a left side elevational view thereof.  
FIG. 12 is a right side elevational view thereof.  
FIG. 13 is a rear elevational view thereof; and,  
FIG. 14 is a bottom plan view thereof.  
The broken lines represent portions of the food container that  
form no part of the claim.

(56) **References Cited**

**U.S. PATENT DOCUMENTS**

D452,374 S *	12/2001	Kim	.....	D3/302
D481,910 S *	11/2003	Kim	.....	D7/629
D483,622 S *	12/2003	Kim	.....	D7/629
D493,073 S *	7/2004	Kim	.....	D7/629
6,793,096 B1 *	9/2004	Seok	.....	220/788
D517,311 S *	3/2006	Kim	.....	D3/218
D544,762 S *	6/2007	Zimmerman	.....	D7/629

**1 Claim, 12 Drawing Sheets**



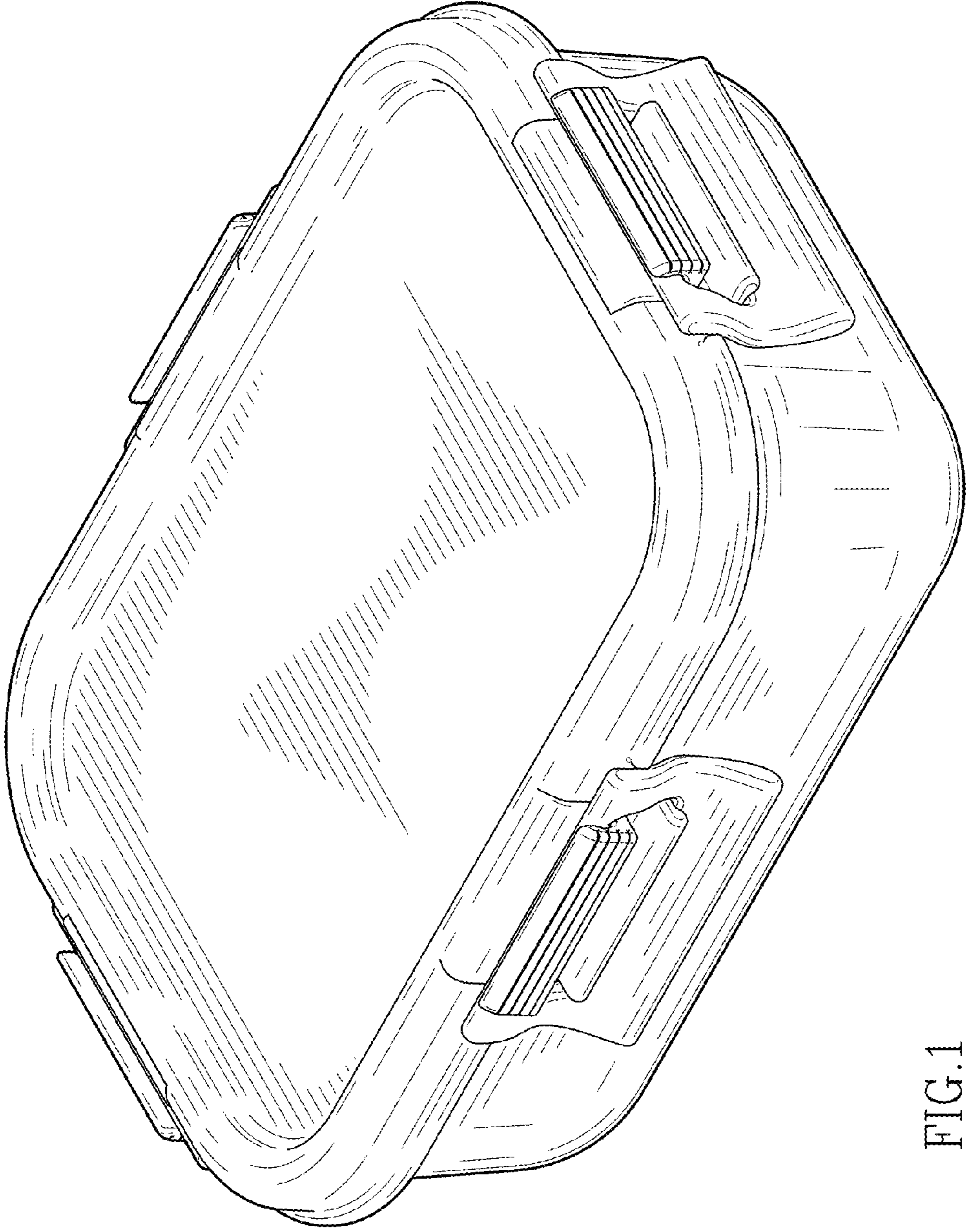


FIG.1

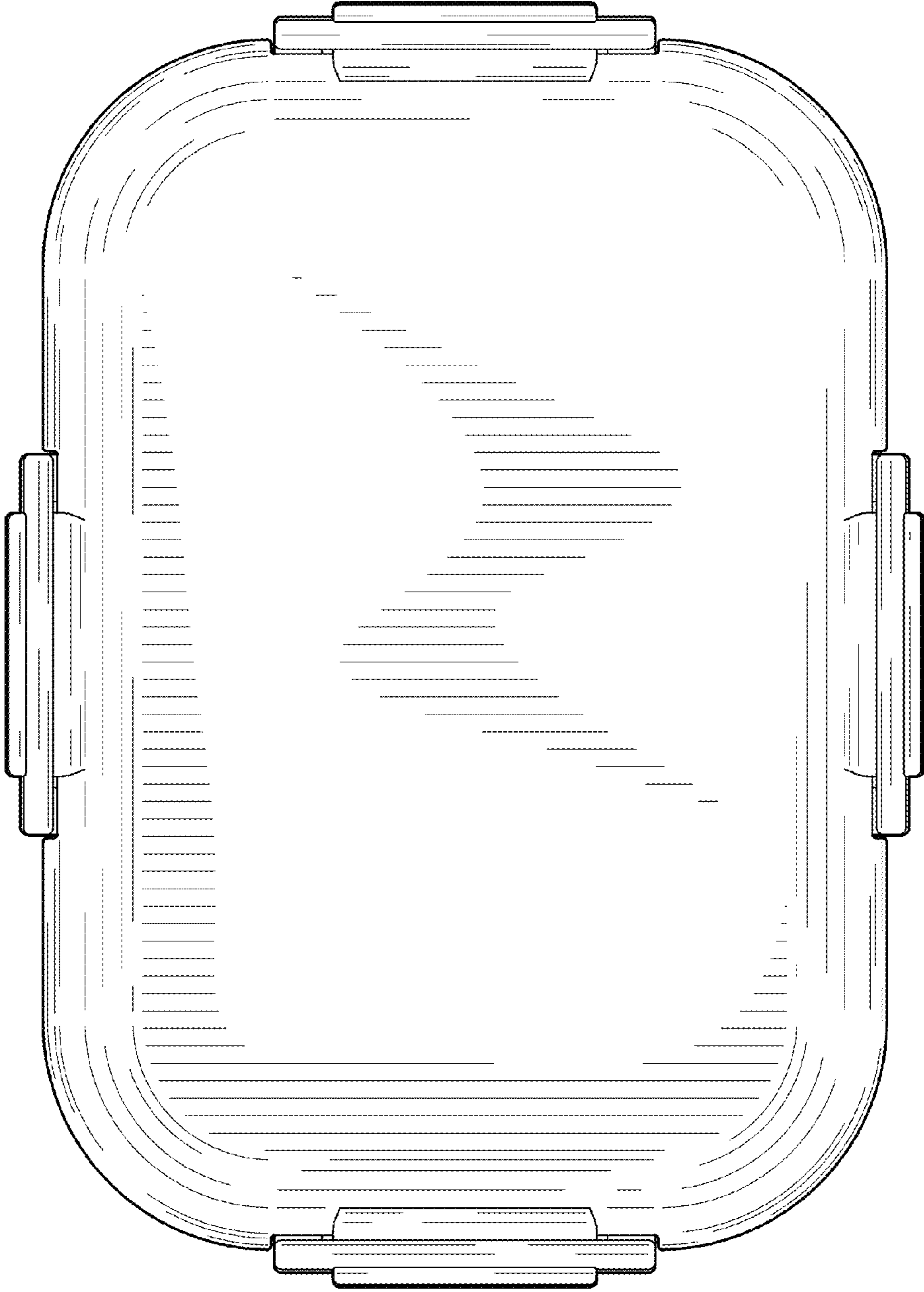


FIG.2

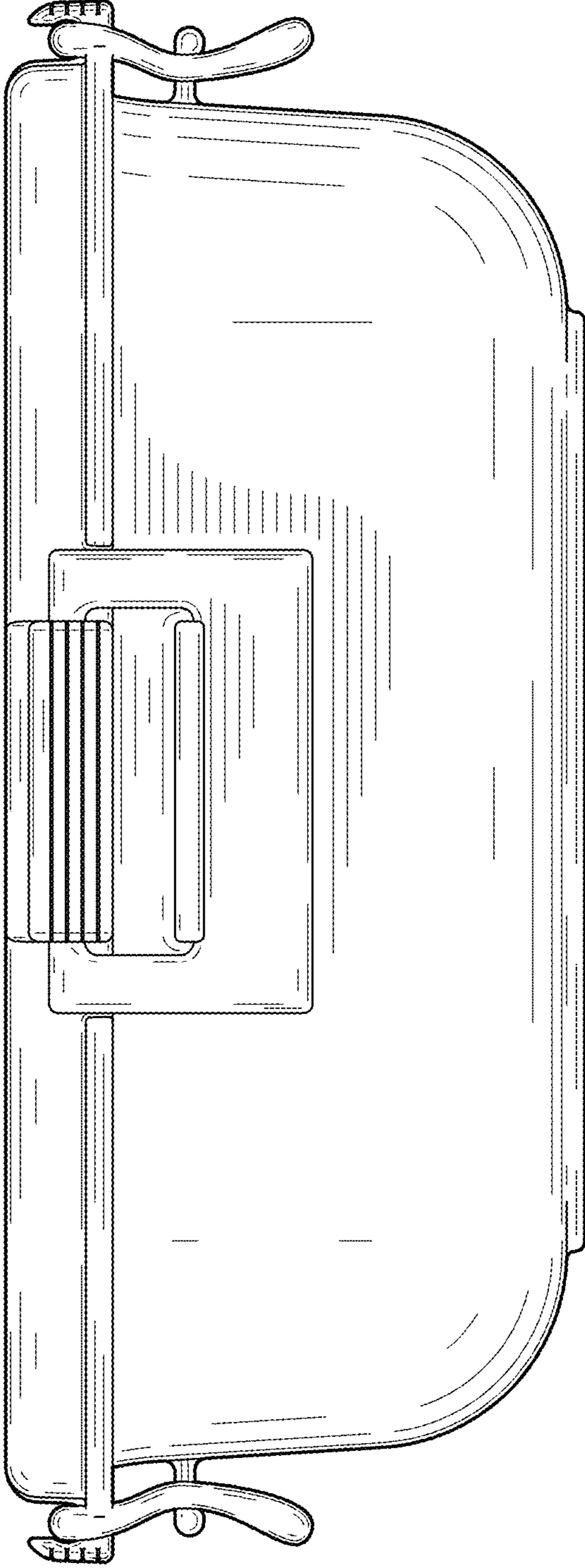


FIG.3

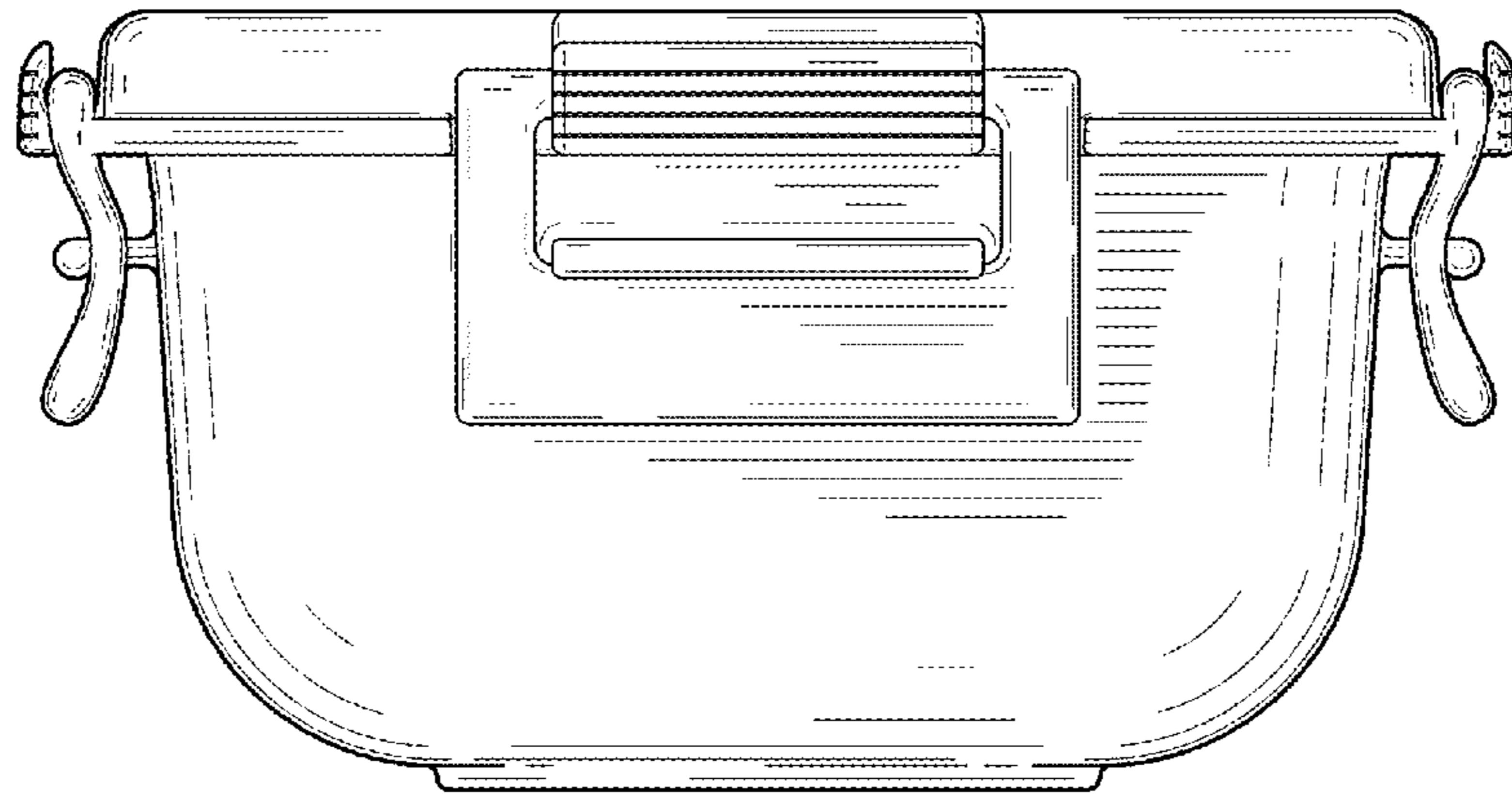


FIG. 4

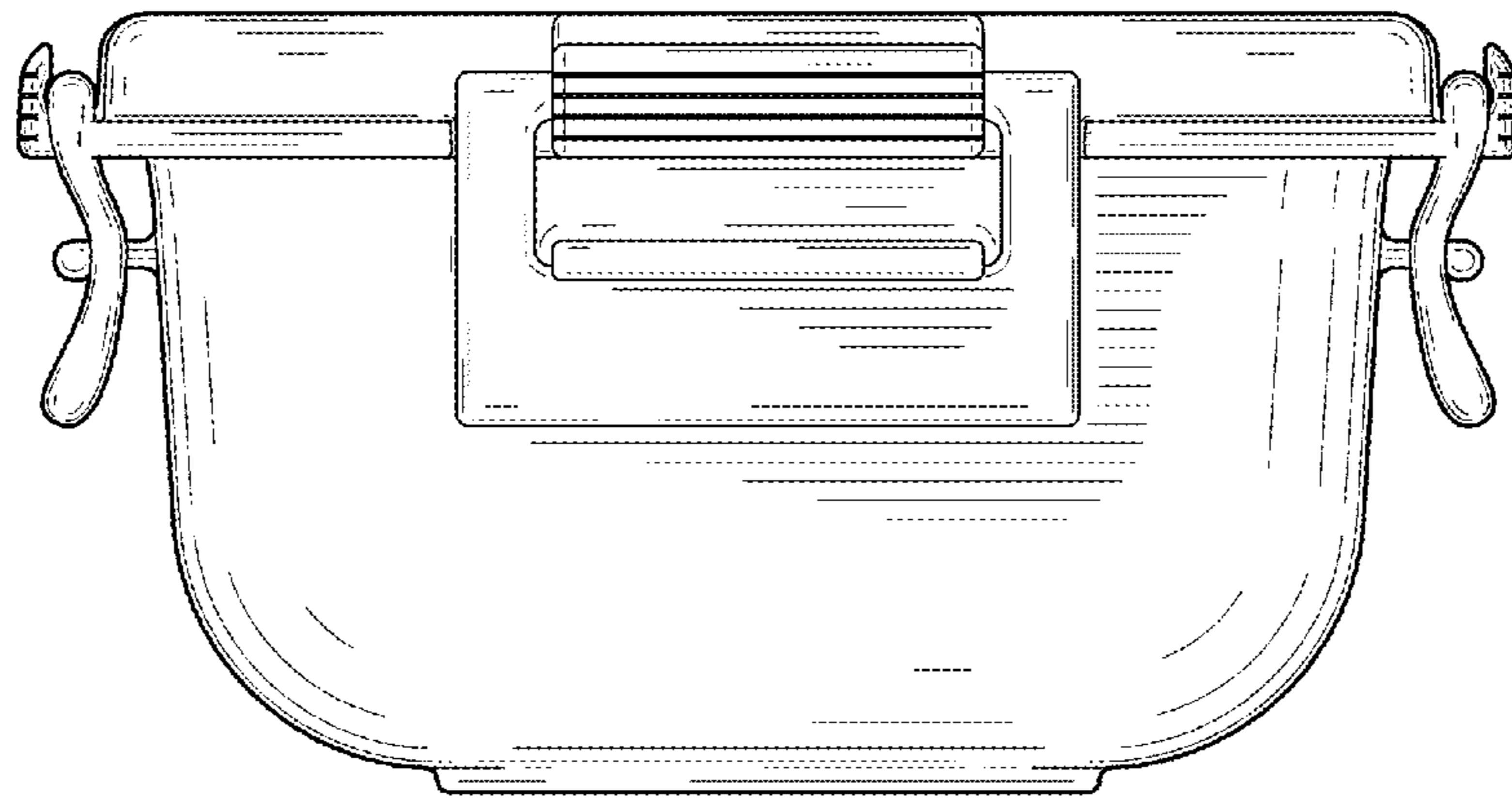


FIG. 5

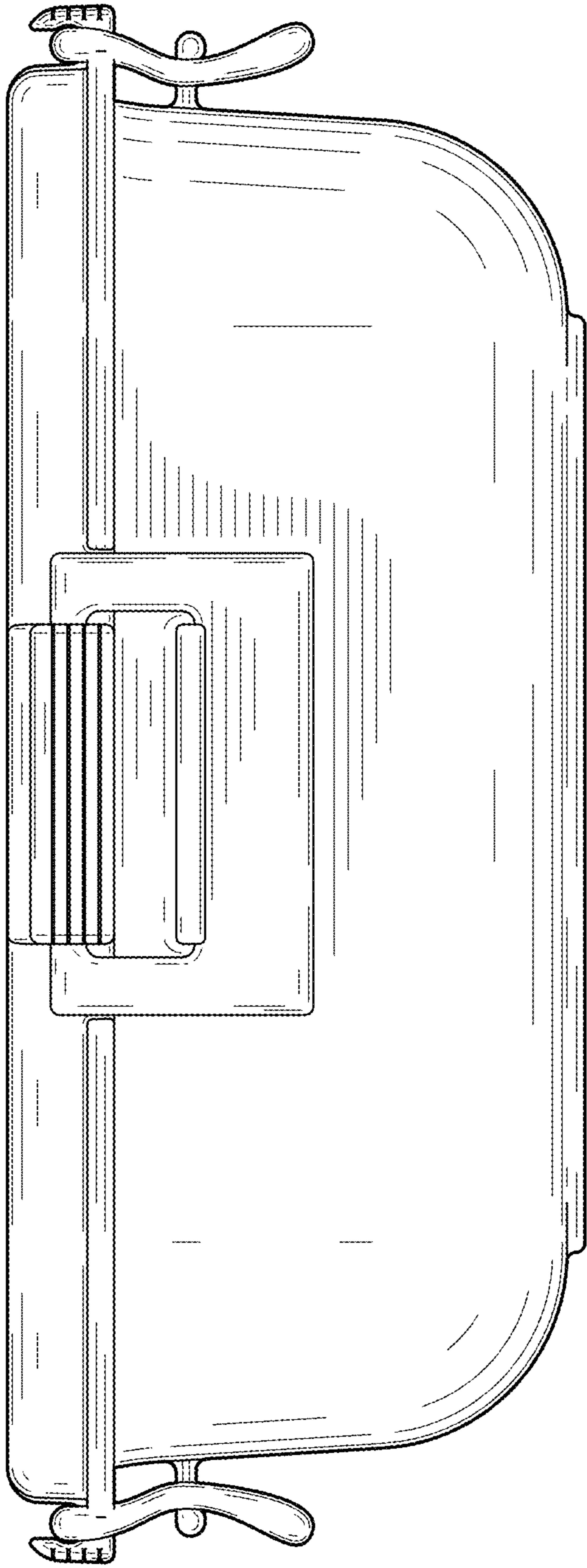


FIG. 6

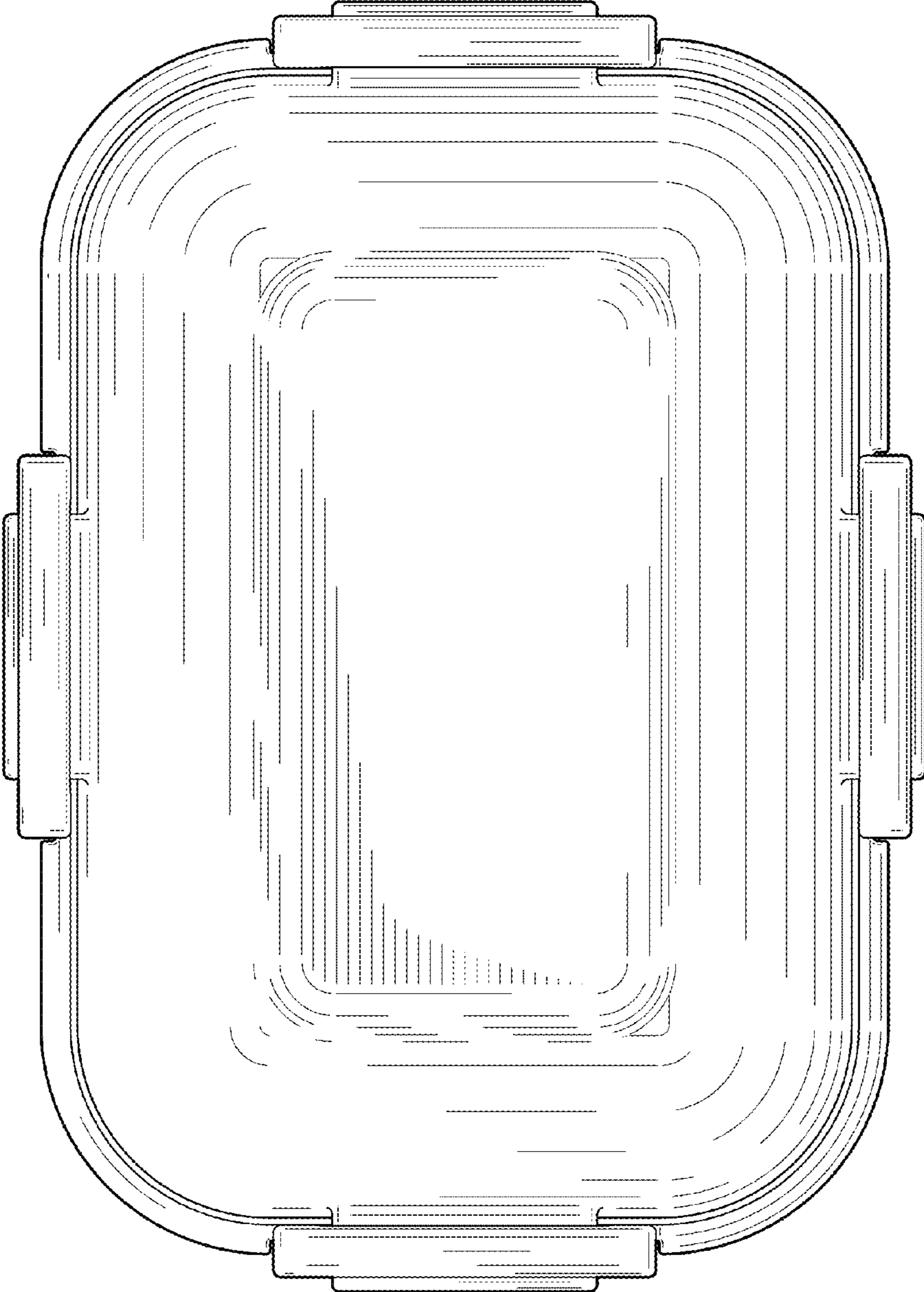


FIG. 7

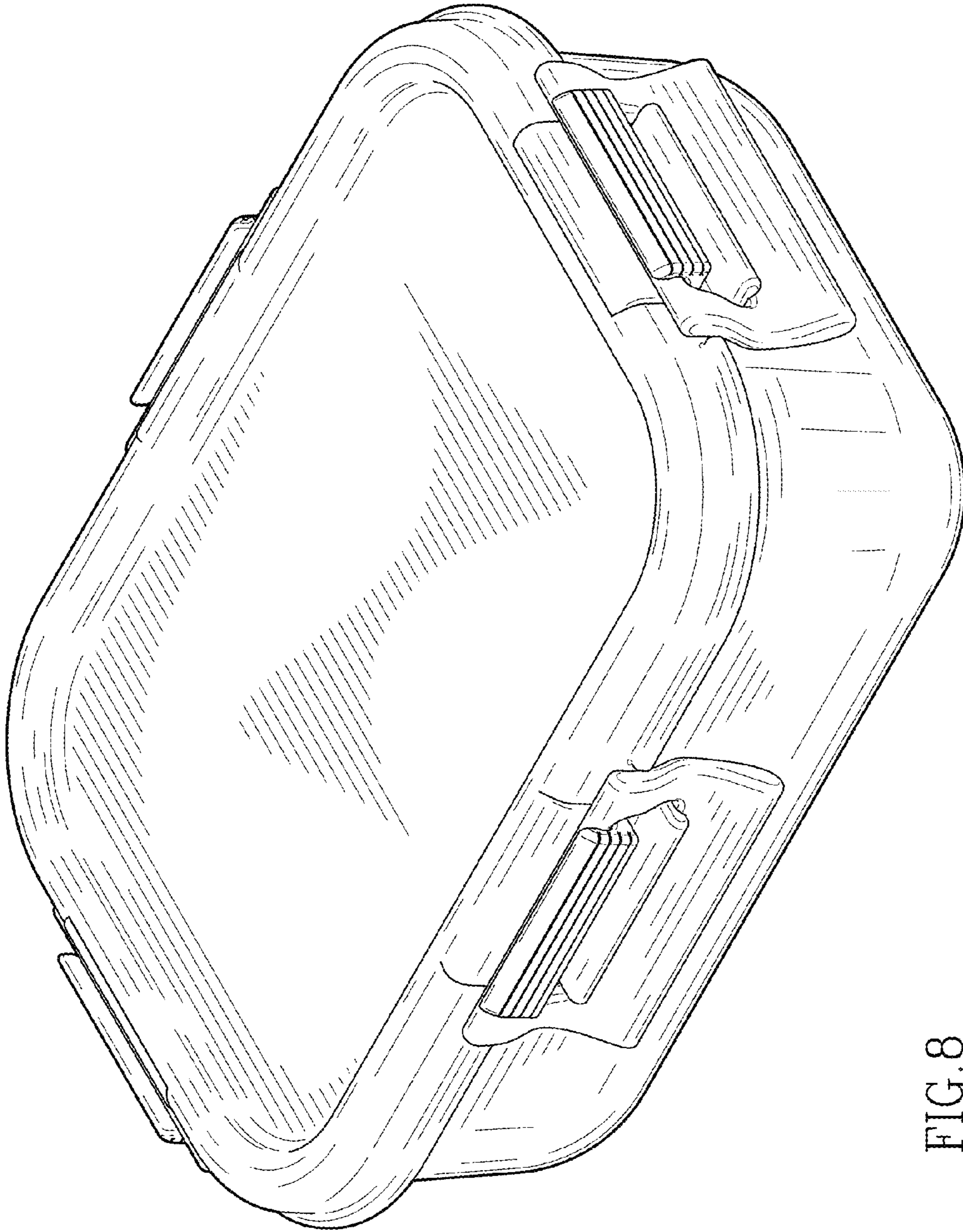


FIG. 8



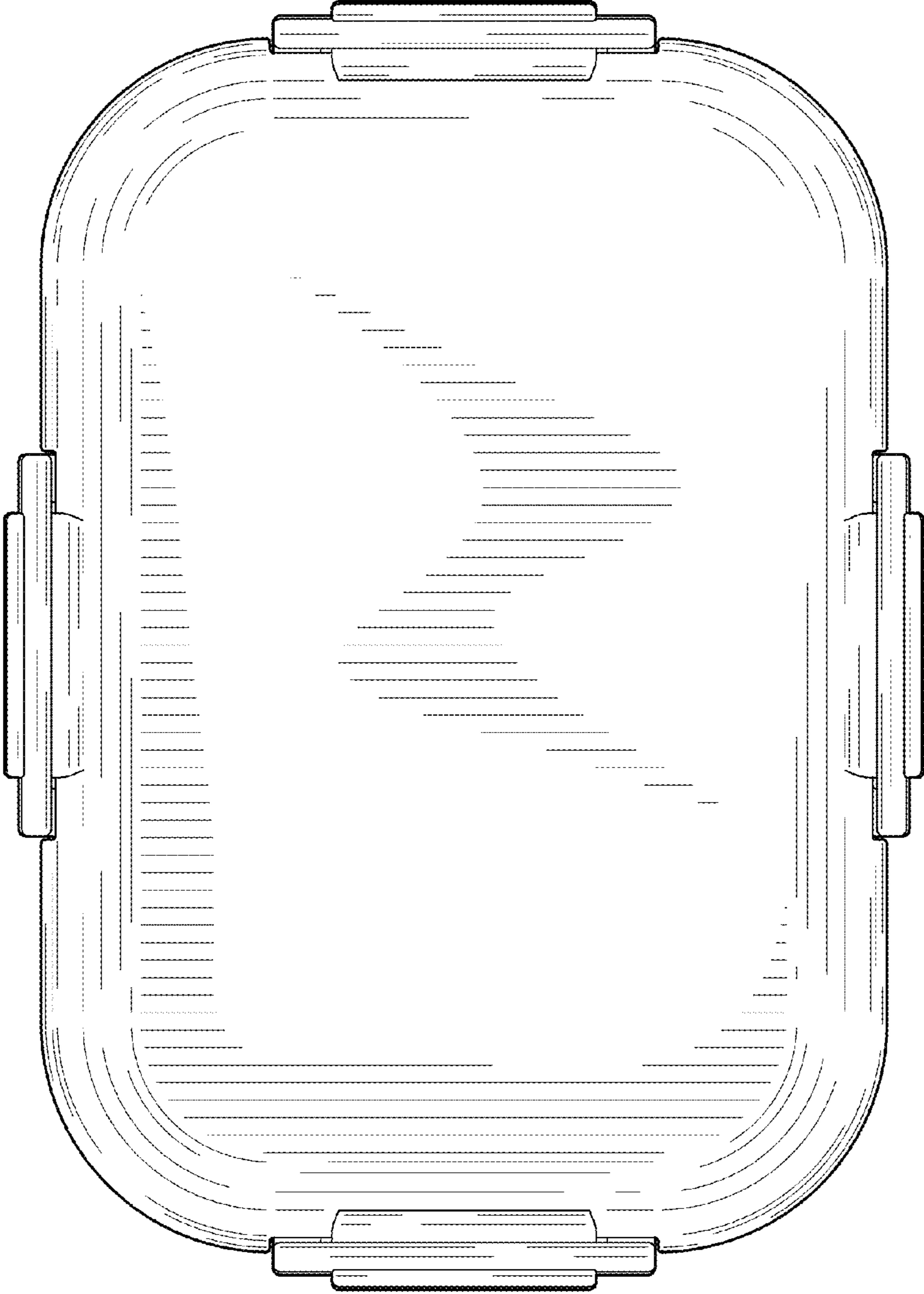


FIG. 9

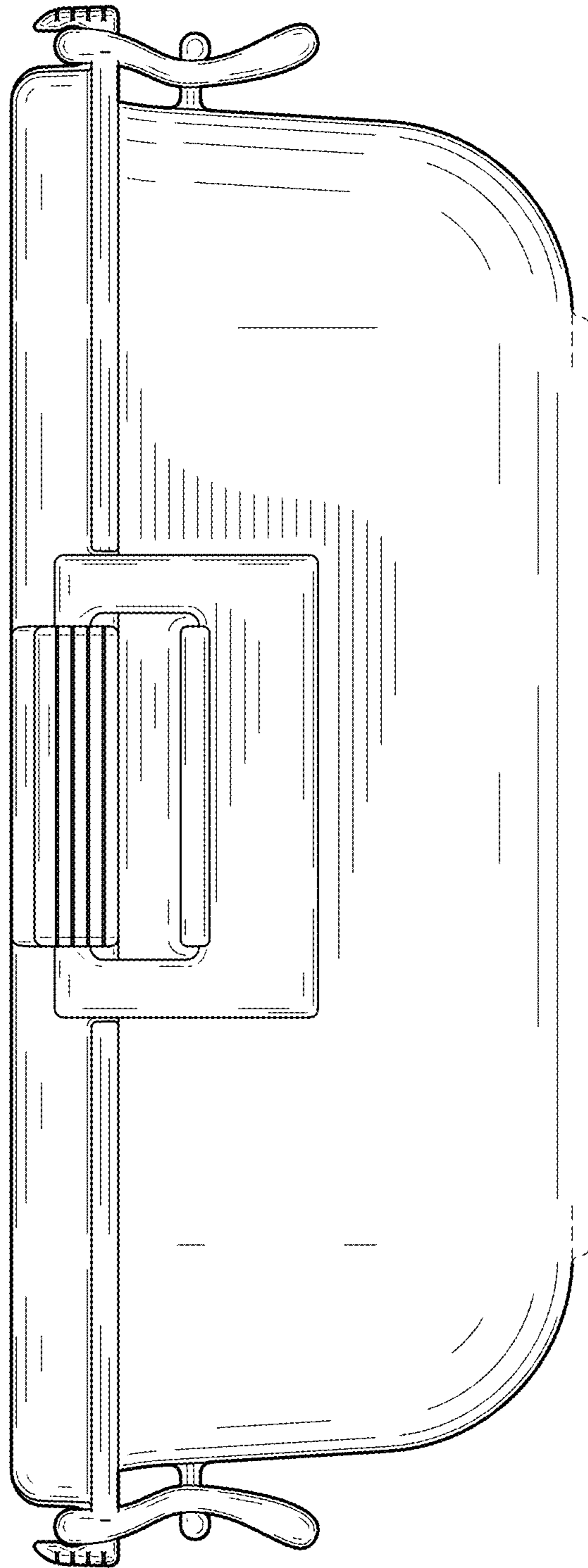


FIG.10

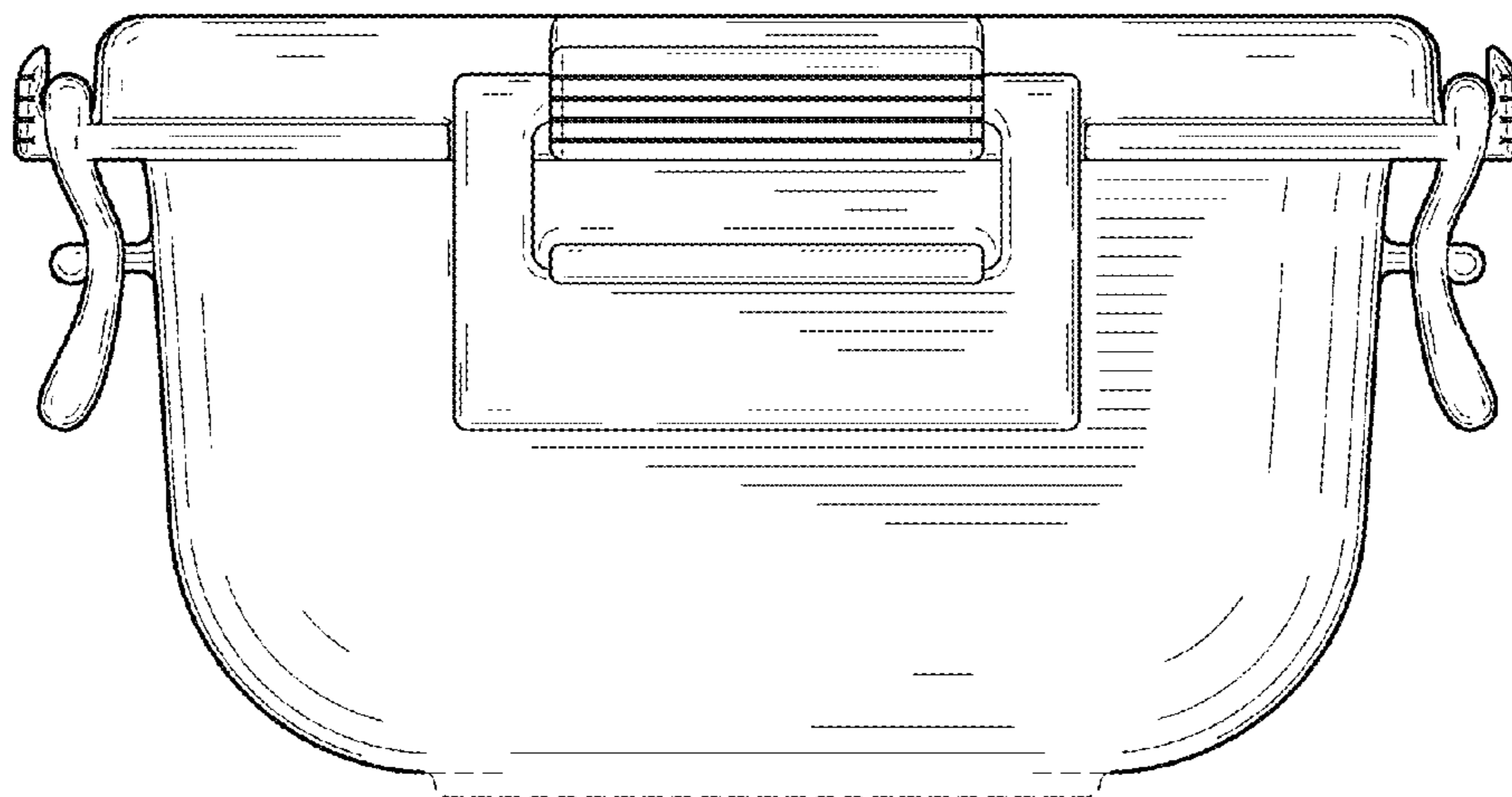


FIG.11

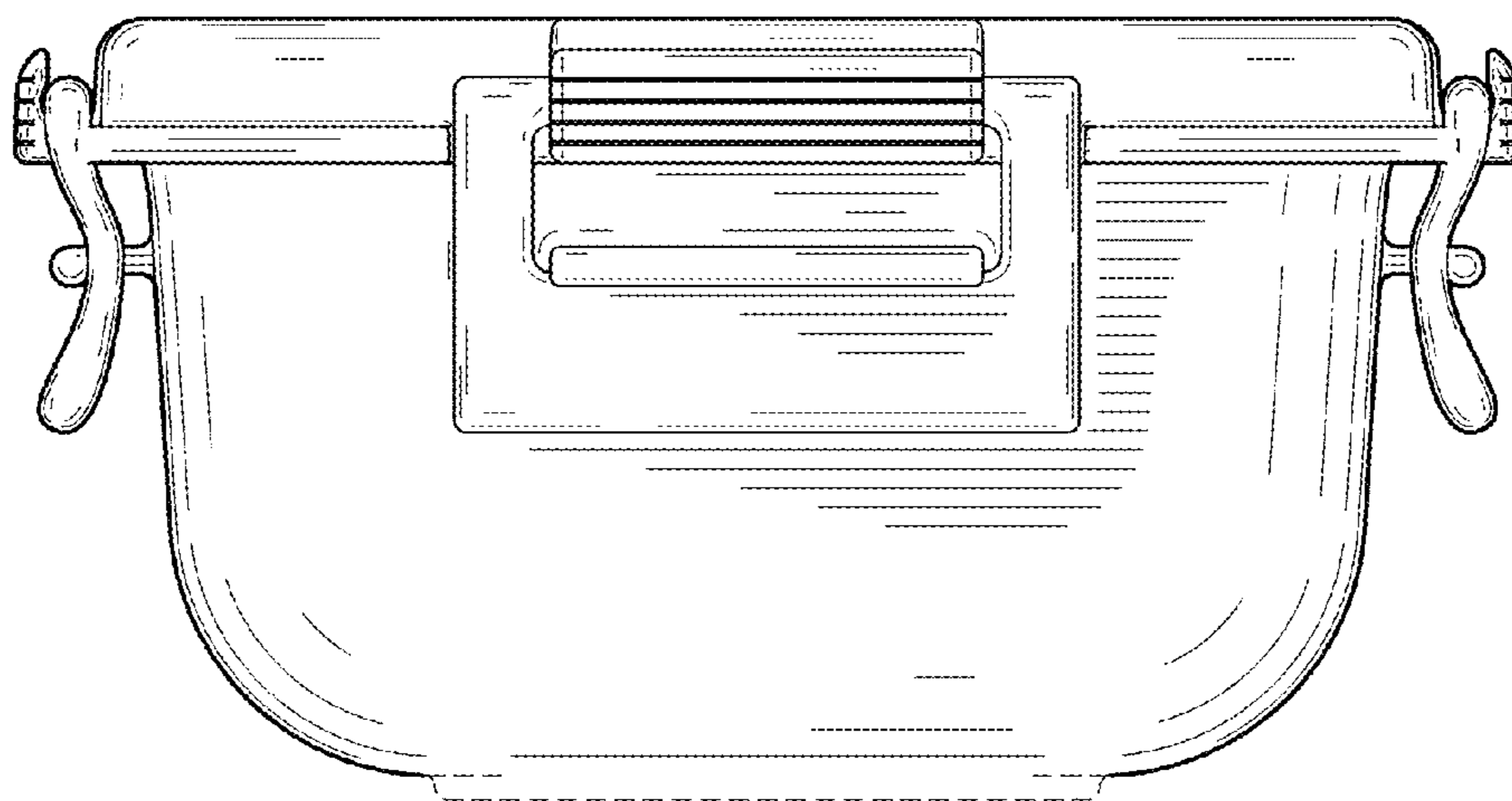


FIG.12

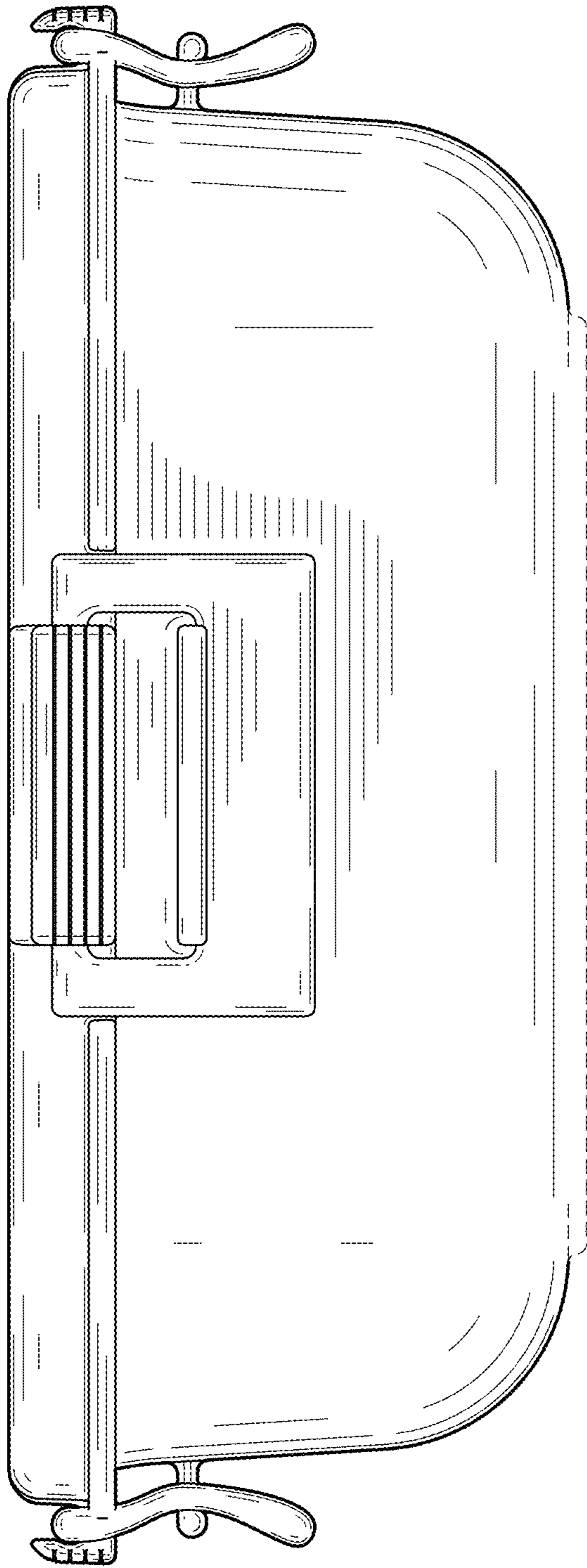


FIG.13

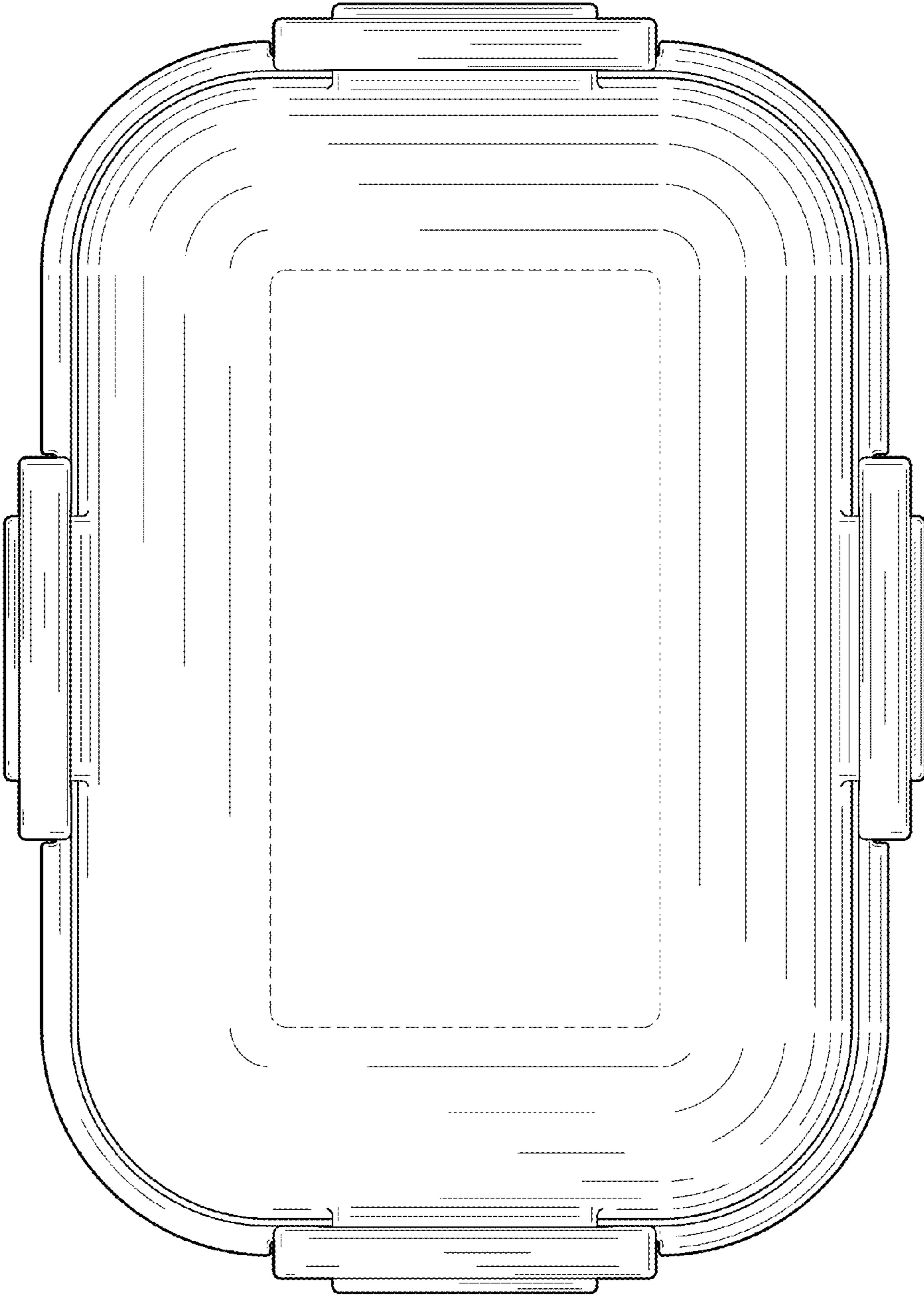


FIG.14