

US00D692280S

(12) **United States Design Patent**
Aldridge et al.

(10) **Patent No.:** **US D692,280 S**
(45) **Date of Patent:** **** Oct. 29, 2013**

(54) **CONFECTIONERY CONTAINER**

(75) Inventors: **Allen Aldridge**, South Orange, NJ (US);
Simon Richard Gainey, Media, PA
(US); **Thomas E. Wells**, Chadds Ford,
PA (US); **Rita Dombroski**, Claymont,
DE (US)

(73) Assignee: **Kraft Foods Global Brands LLC**,
Northfield, IL (US)

(**) Term: **14 Years**

(21) Appl. No.: **29/427,364**

(22) Filed: **Jul. 17, 2012**

(51) **LOC (9) Cl.** **07-07**

(52) **U.S. Cl.**
USPC **D7/629**

(58) **Field of Classification Search**
USPC D7/629, 601, 602; D3/301, 294,
D3/202-207; D9/652, 418, 420, 423;
D27/186-193, 183, 172; 229/120.11;
220/780-806

See application file for complete search history.

(56) **References Cited**

U.S. PATENT DOCUMENTS

2,796,190	A *	6/1957	Tupper	220/840
2,988,209	A *	6/1961	Parrilla	206/362
D265,886	S *	8/1982	Caputo	D9/652
5,353,956	A *	10/1994	Wilson	221/198
D374,142	S *	10/1996	Carlson	D6/515
D390,459	S *	2/1998	King	D7/629
D404,976	S *	2/1999	Young	D7/629

D449,782	S *	10/2001	Diaz	D7/629
D472,772	S *	4/2003	Noble et al.	D7/629
D501,369	S *	2/2005	Watkins et al.	D7/629

* cited by examiner

Primary Examiner — Terry Wallace

(74) *Attorney, Agent, or Firm* — Hoffmann & Baron, LLP

(57) **CLAIM**

The ornamental design for a confectionery container, as shown and described.

DESCRIPTION

FIG. 1 is a front perspective view of a confectionery container with the top cover in a closed position constructed in accordance with the invention;

FIG. 2 is a front elevational view of the confectionery container shown in FIG. 1;

FIG. 3 is a top plan view of the confectionery container shown in FIG. 1;

FIG. 4 is a rear elevational view of the confectionery container shown in FIG. 1;

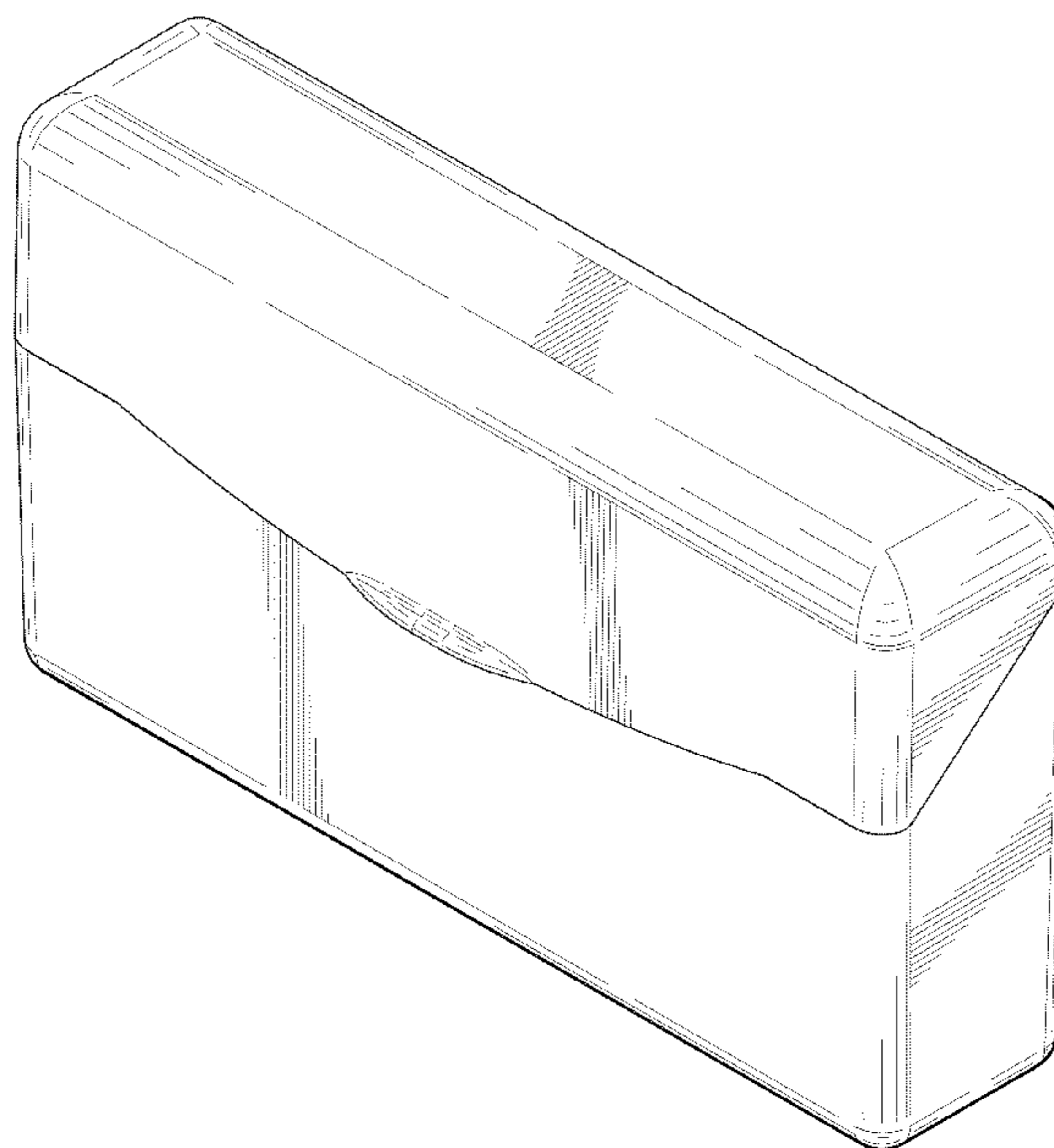
FIG. 5 is a bottom plan view of the confectionery container shown in FIG. 1;

FIG. 6 is a left side elevational view of the confectionery container shown in FIG. 1, the right side elevational view being a mirror image of the left side elevational view; and,

FIG. 7 is a front perspective view of the confectionery container shown in FIG. 1 with the top cover in an open position and with gum slabs shown within the container in broken lines.

The broken lines shown in the drawings represent unclaimed environment and are for illustrative purposes only, forming no part of the claimed design.

1 Claim, 6 Drawing Sheets



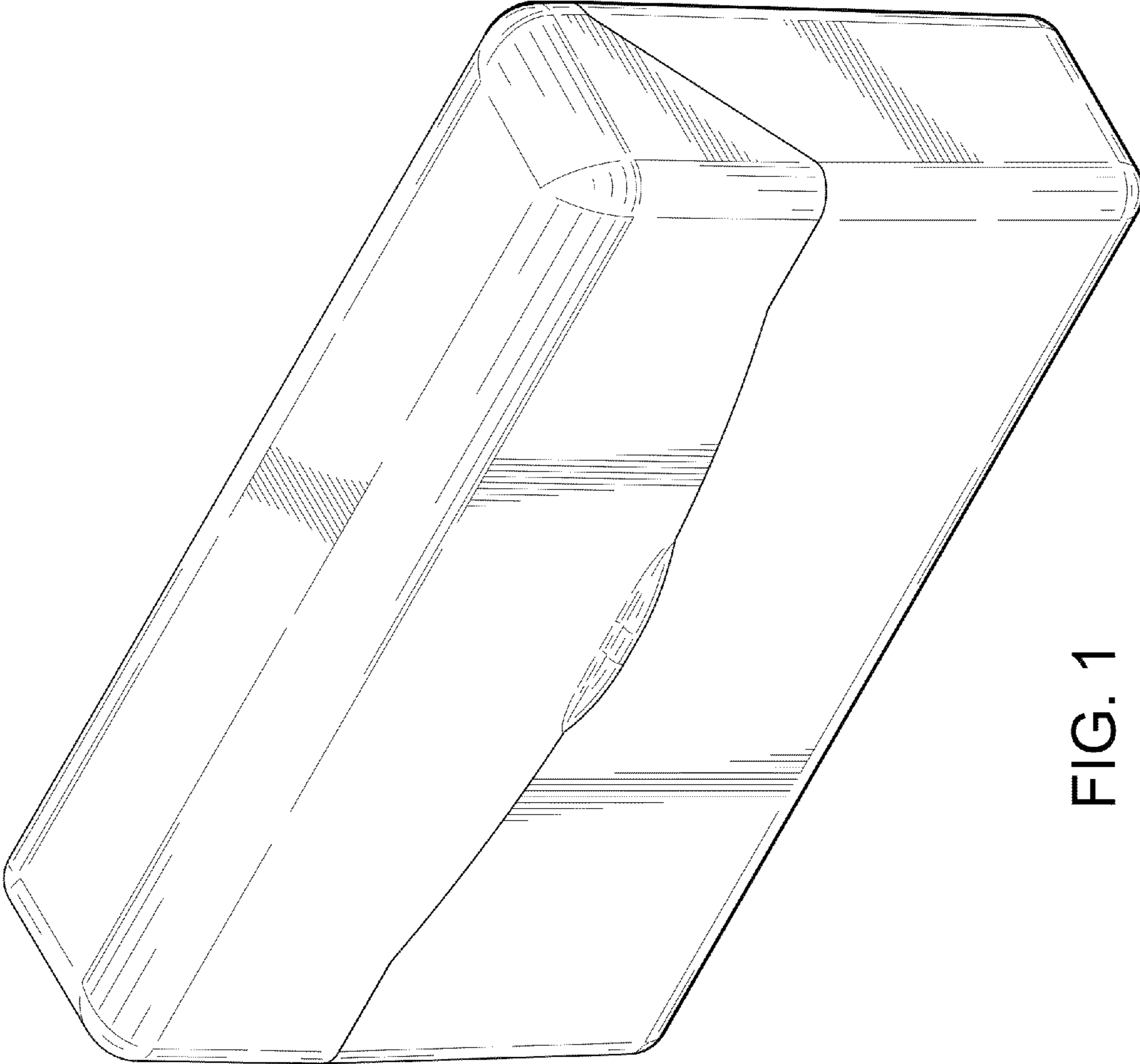


FIG. 1

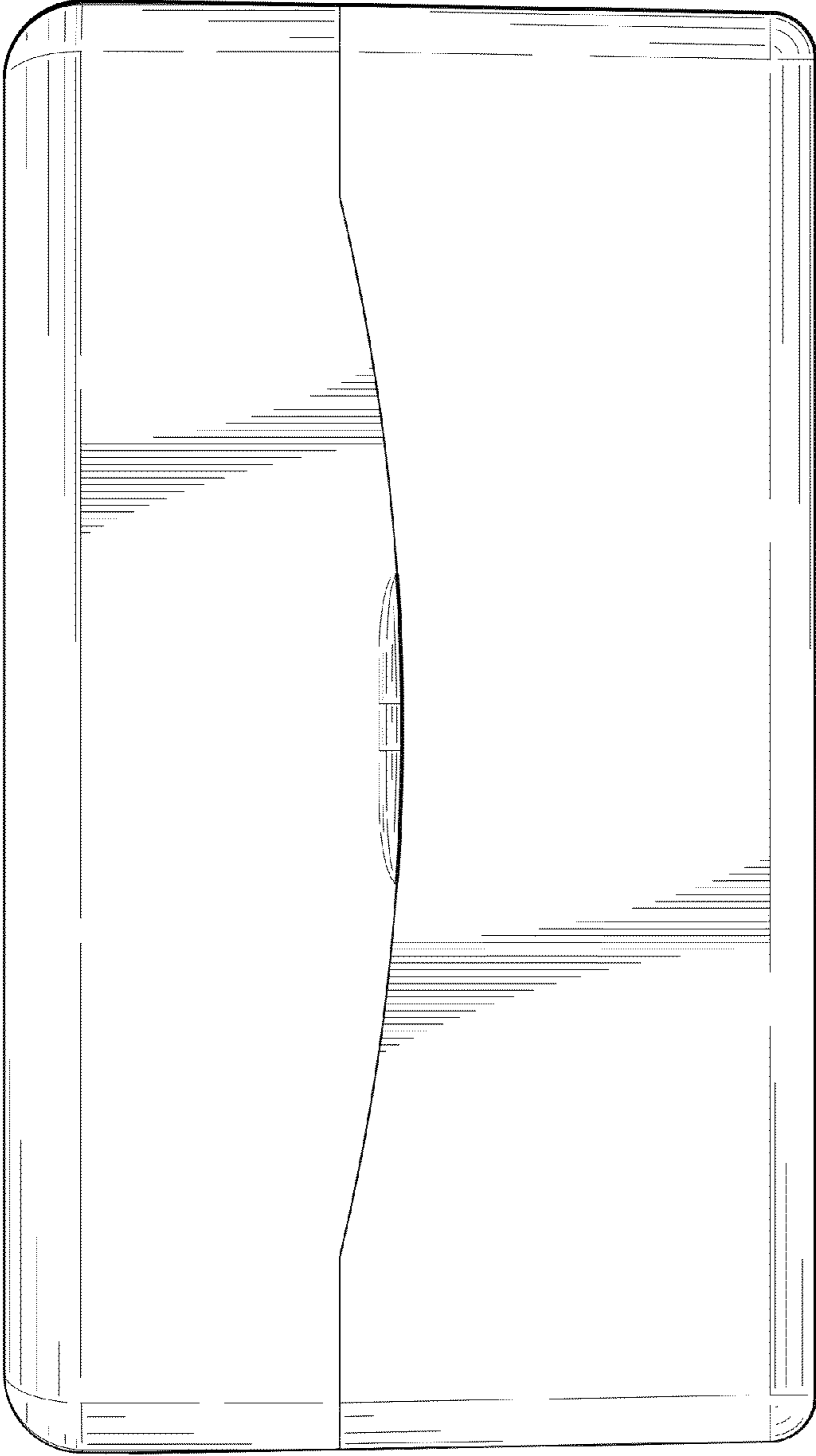


FIG. 2

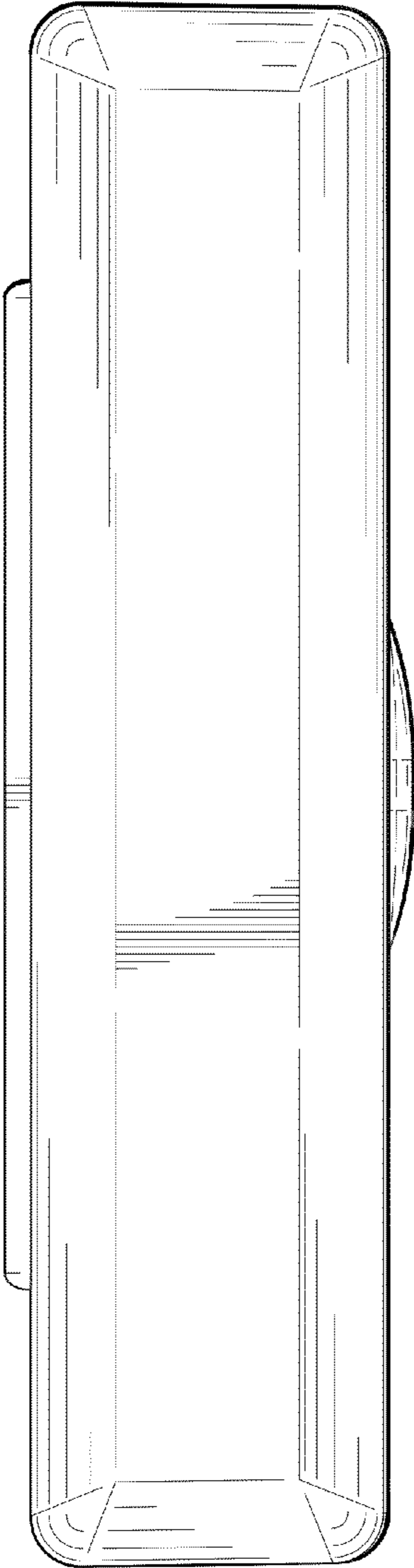


FIG. 3

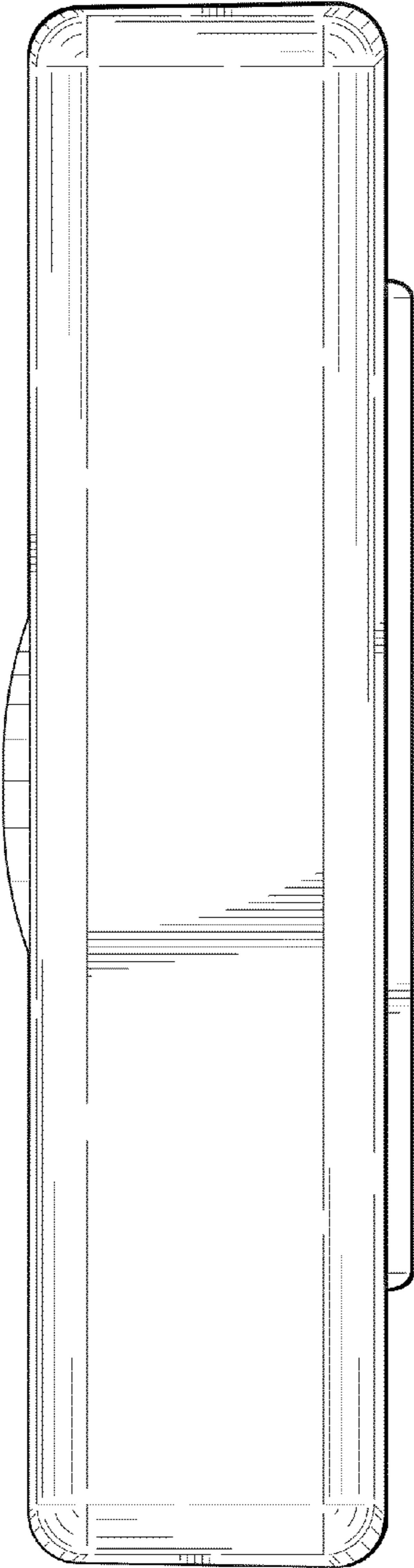


FIG. 5

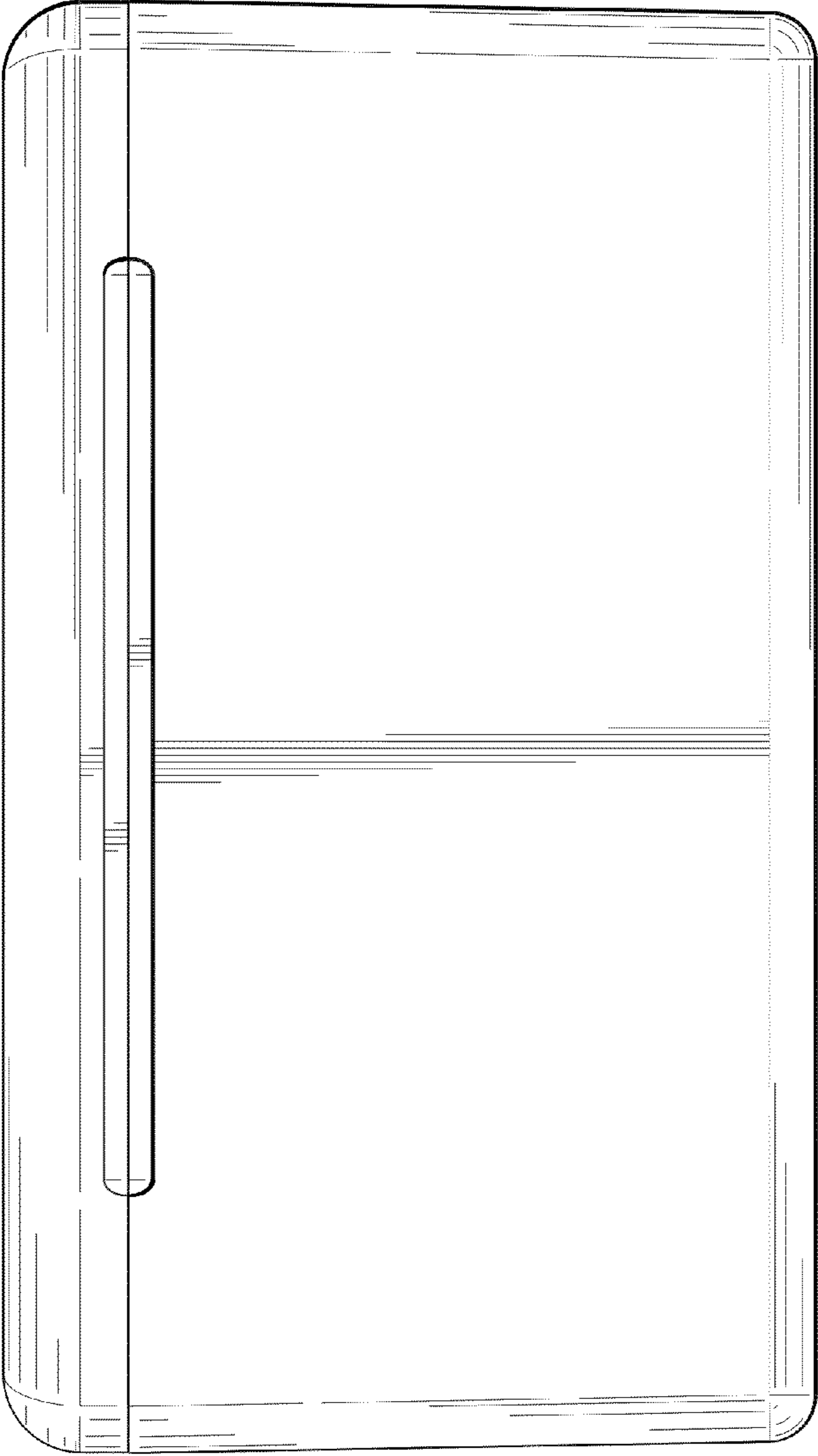


FIG. 4

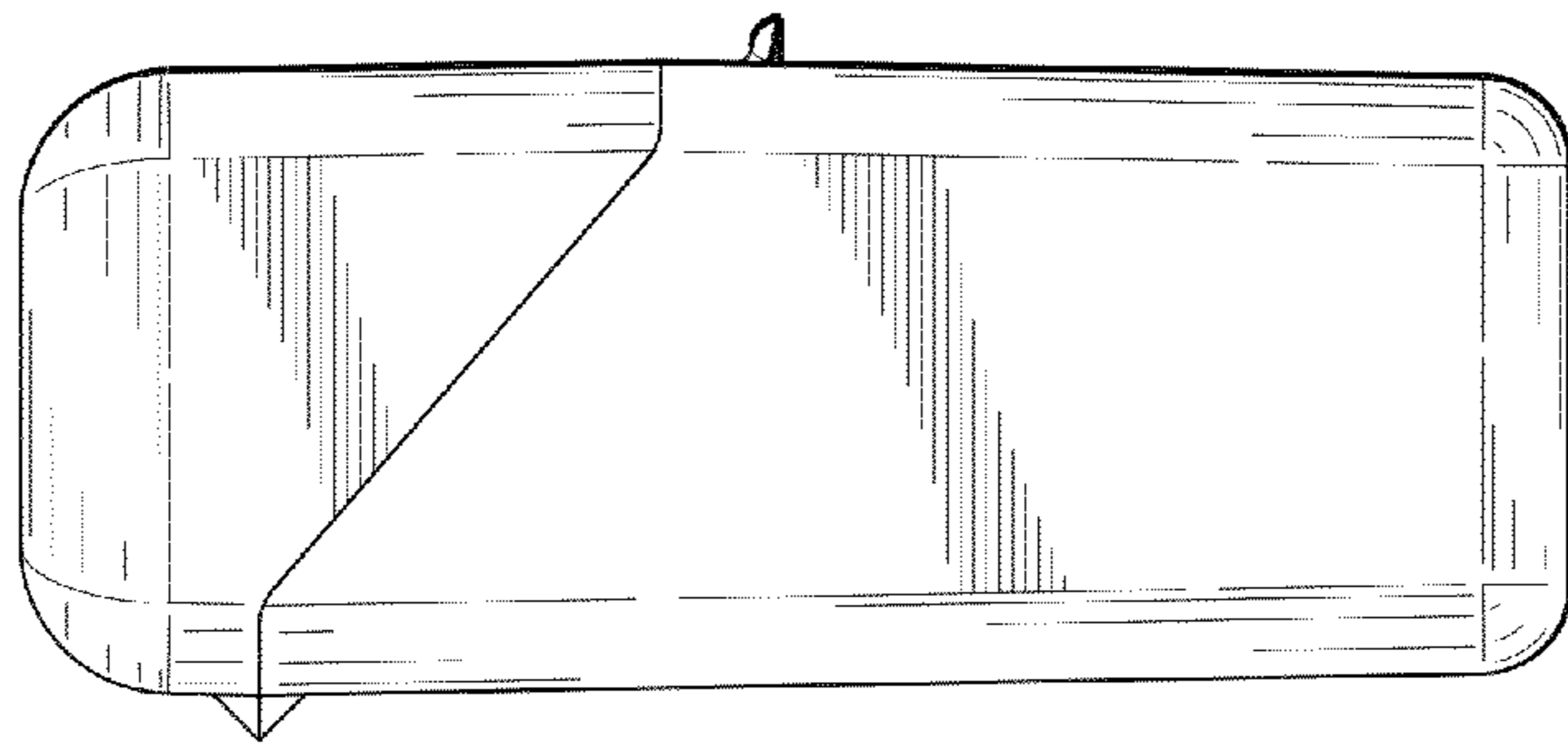


FIG. 6

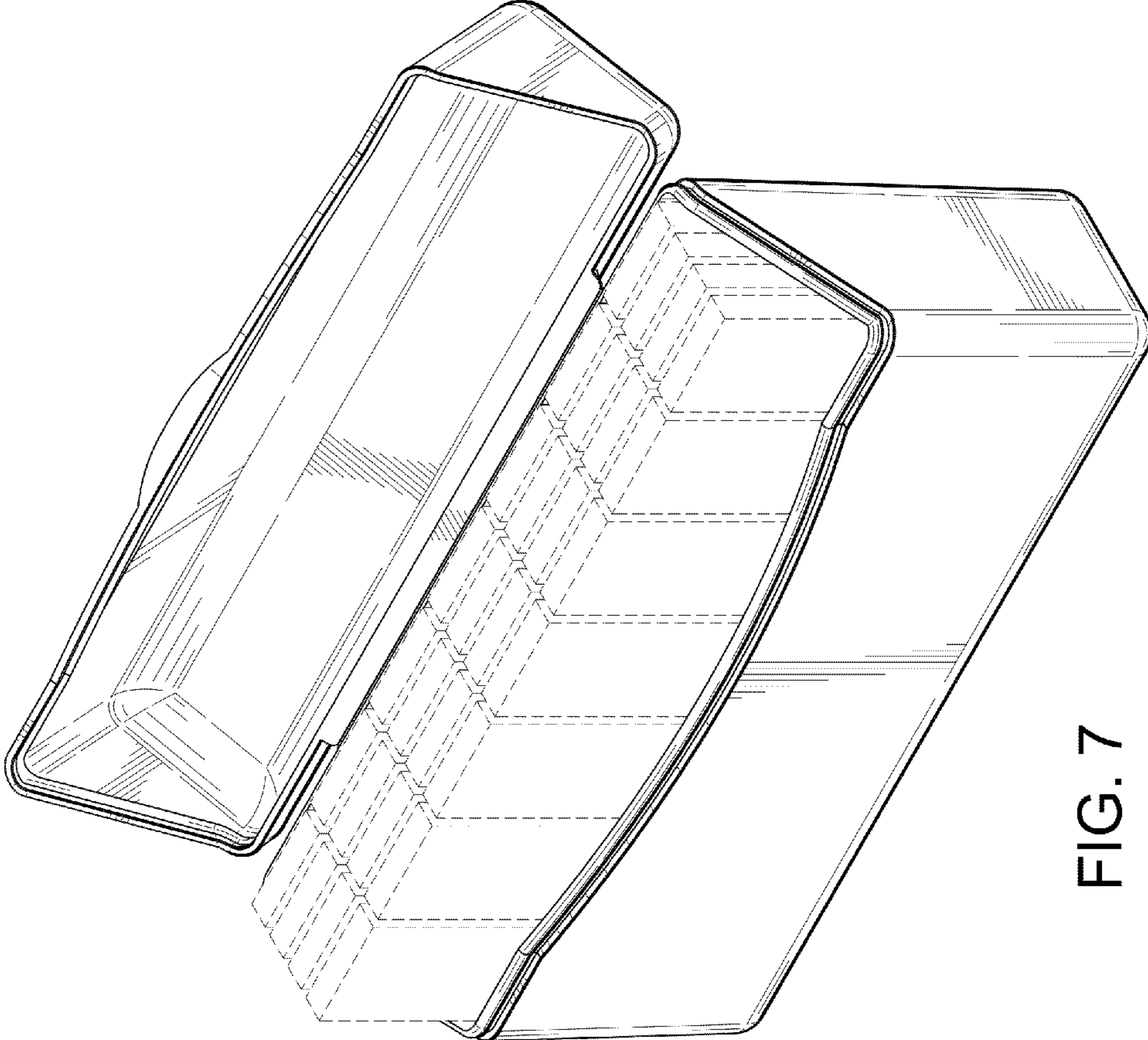


FIG. 7