



US00D692275S

(12) **United States Design Patent**
Audette

(10) **Patent No.:** **US D692,275 S**

(45) **Date of Patent:** **** Oct. 29, 2013**

(54) **COUPLING**

(71) Applicant: **Euro-Pro Operating LLC**, Newton, MA (US)

(72) Inventor: **David M. Audette**, Webster, MA (US)

(73) Assignee: **Euro-Pro Operating LLC**, Newton, MA (US)

(**) Term: **14 Years**

(21) Appl. No.: **29/447,118**

(22) Filed: **Feb. 28, 2013**

(51) **LOC (9) Cl.** **07-02**

(52) **U.S. Cl.**
USPC **D7/412; D7/376; D7/378**

(58) **Field of Classification Search**
USPC D7/301–313, 316–326, 356–357, 368, D7/372–386, 391–398, 412–415, 503, 515, D7/665–666, 679, 691–693; D15/5, 7, 9, D15/126; D23/379, 411; 29/889.23; 99/280, 99/326, 348, 492, 508–512; 164/35; 241/30–37.5, 98, 101.01–101.2, 241/166–169.1, 172, 272, 285.1–285.3, 241/291, 292.1; 264/221; 366/64–67, 98, 366/129, 142–144, 192–211, 241–254, 262, 366/279–292, 325.8, 325.92, 341–347; 415/121.1; 416/75–77, 70 R, 163, 175, 416/183, 185, 186 R
See application file for complete search history.

(56) **References Cited**

U.S. PATENT DOCUMENTS

4,093,401	A *	6/1978	Gravelle	416/185
4,520,541	A *	6/1985	Miki et al.	29/889.23
4,904,158	A *	2/1990	Kun	416/183
5,002,461	A *	3/1991	Young et al.	416/183
D366,935	S *	2/1996	Arthun et al.	D23/411
D368,480	S *	4/1996	Thirumalaisamy et al.	D15/5
D377,362	S *	1/1997	Mihailovic	D15/126

5,639,217	A *	6/1997	Ohtsuki et al.	416/183
6,019,927	A *	2/2000	Galliger	264/221
6,406,255	B1 *	6/2002	Angelle	415/121.1
6,629,556	B2 *	10/2003	Decker et al.	164/35
6,663,347	B2 *	12/2003	Decker et al.	416/185
D514,125	S *	1/2006	Cook	D15/7
7,083,386	B2 *	8/2006	Horng et al.	416/175
7,108,482	B2 *	9/2006	Chapman	416/185
D535,523	S *	1/2007	White	D7/412
D545,126	S *	6/2007	White et al.	D7/412
D545,326	S *	6/2007	Zellers et al.	D15/7
7,241,114	B2 *	7/2007	Koepler	416/186 R
D577,807	S *	9/2008	Kenyon et al.	D23/379
D583,391	S *	12/2008	Metcalf	D15/7
D588,158	S *	3/2009	Fausett et al.	D15/5
D630,721	S *	1/2011	Kenyon et al.	D23/379
D645,058	S *	9/2011	Benoit	D15/9
D645,950	S *	9/2011	Kenyon et al.	D23/379
2003/0063975	A1 *	4/2003	Horng et al.	416/183

* cited by examiner

Primary Examiner — Ricky Pham

(74) *Attorney, Agent, or Firm* — Wolf, Greenfield & Sacks, P.C.

(57) **CLAIM**

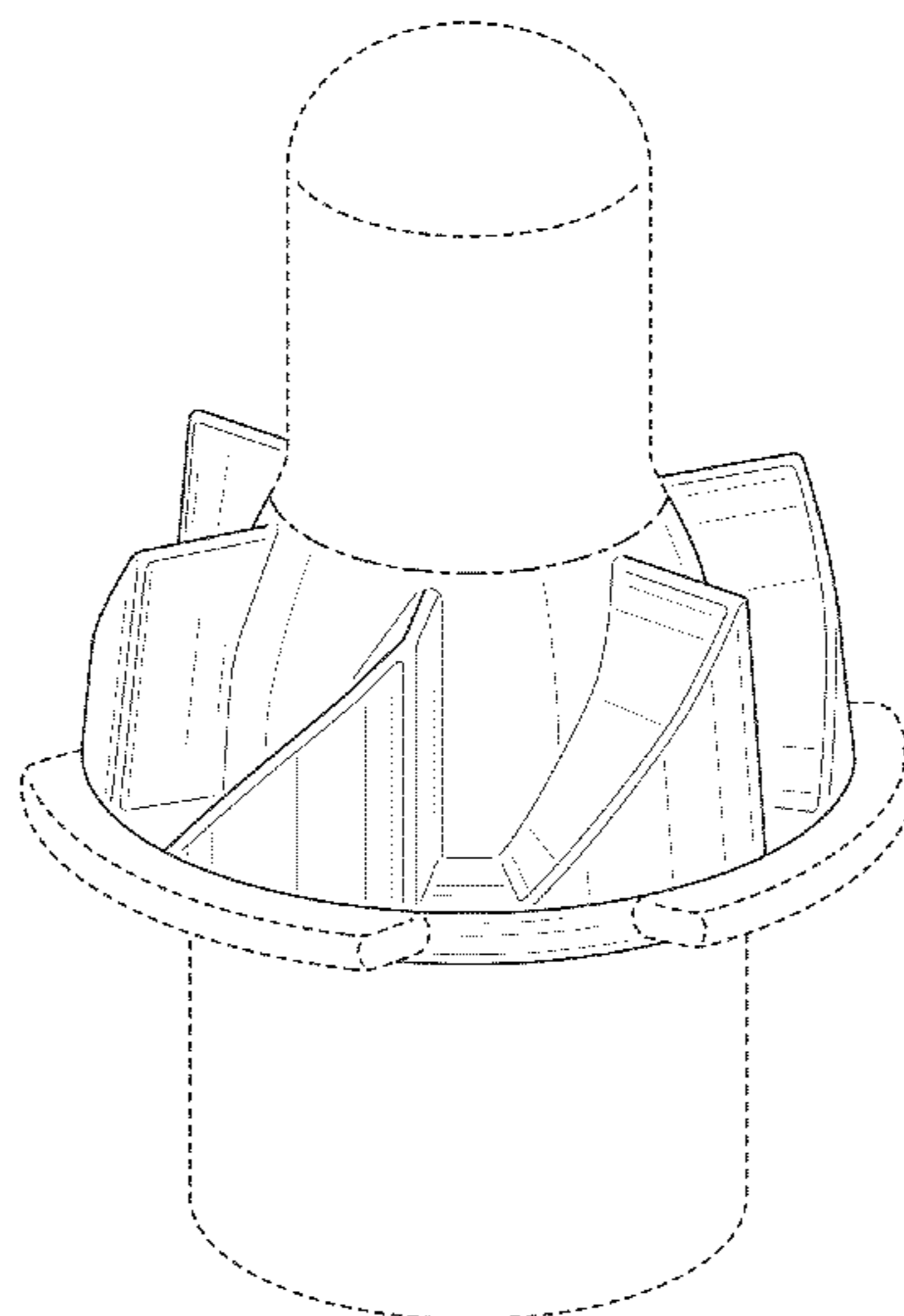
The ornamental design for a coupling, as shown and described.

DESCRIPTION

FIG. 1 is a top, front, right side perspective view of a coupling showing my new design;
FIG. 2 is a front elevational view thereof;
FIG. 3 is a rear elevational view thereof;
FIG. 4 is a left side elevational view thereof;
FIG. 5 is a right side elevational view thereof;
FIG. 6 is a top plan view thereof; and,
FIG. 7 is a bottom plan view thereof.

The broken lines of FIGS. 1-7 illustrate portions of the coupling that form no part of the claimed design. The dash-dot-dash broken lines shown in FIGS. 1-6 define boundaries of the claimed design.

1 Claim, 7 Drawing Sheets



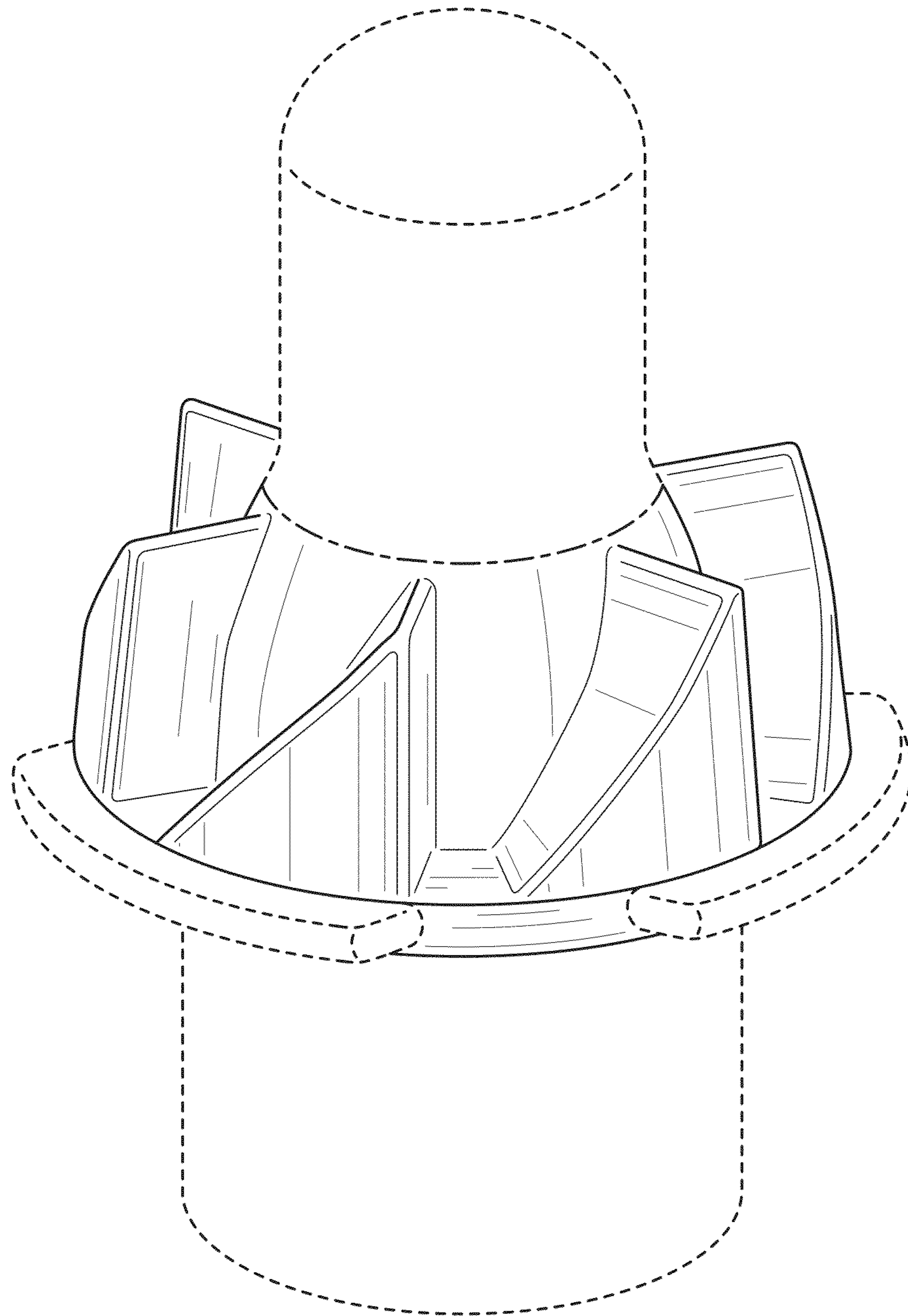


FIG. 1

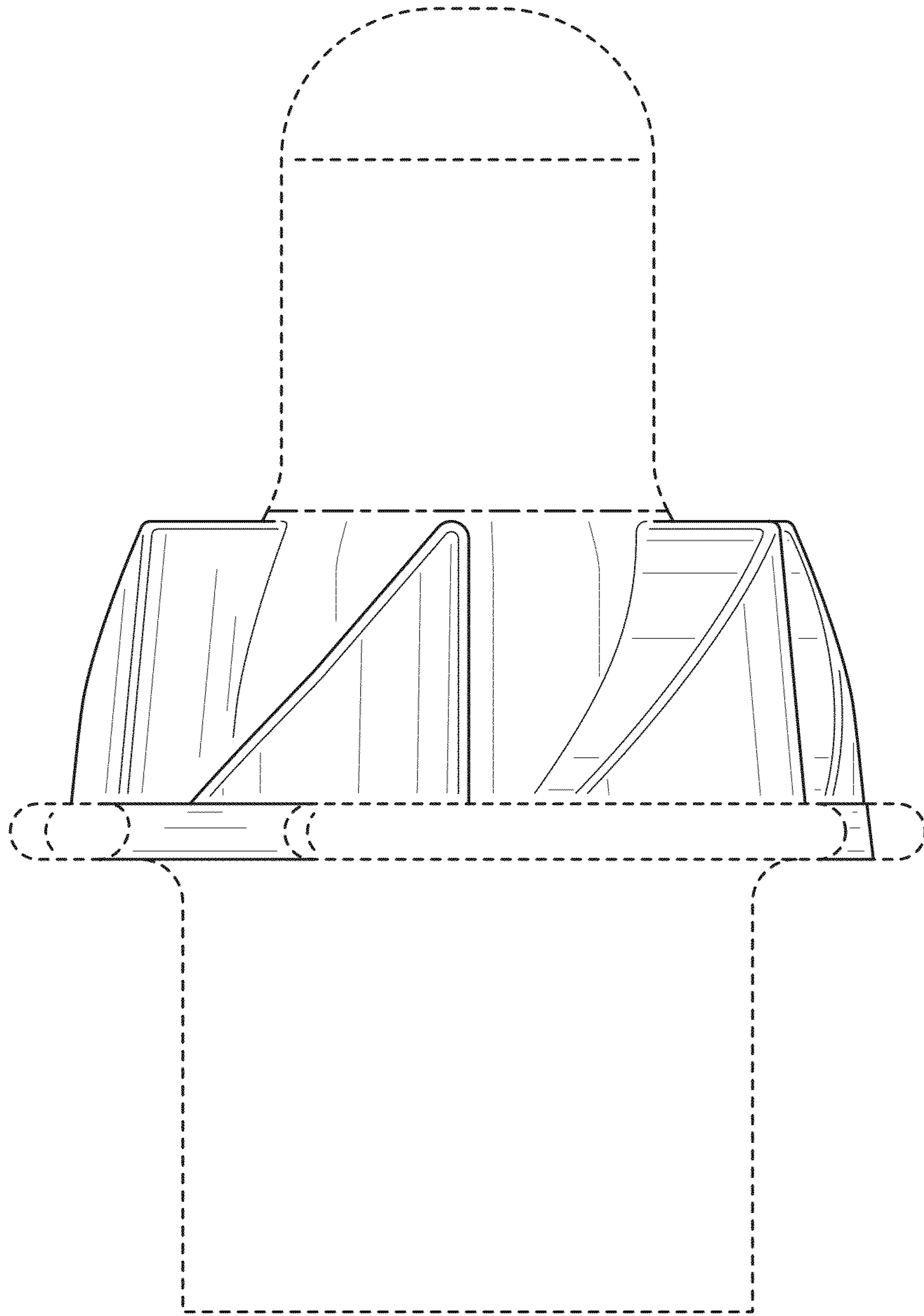


FIG. 2

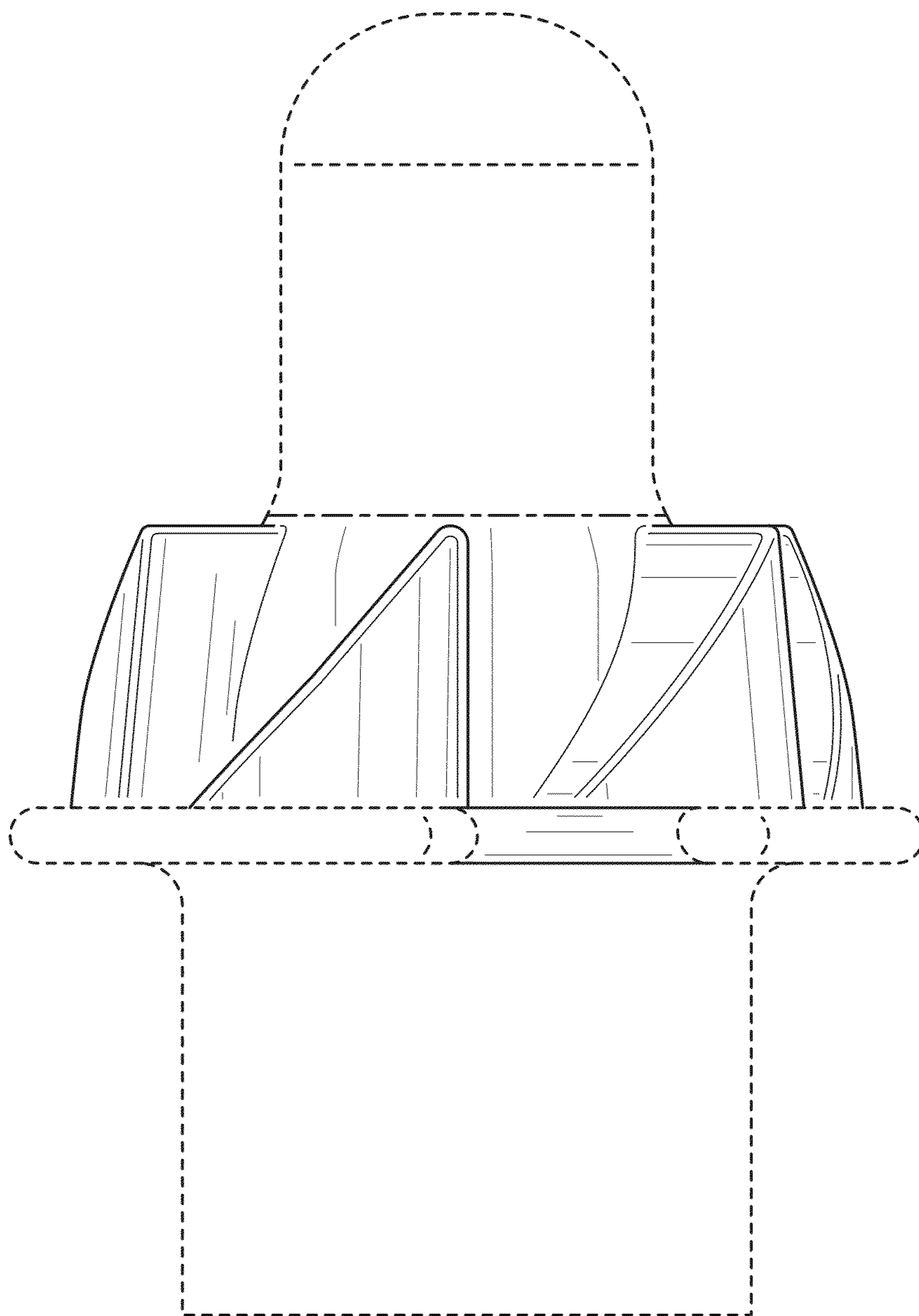


FIG. 3

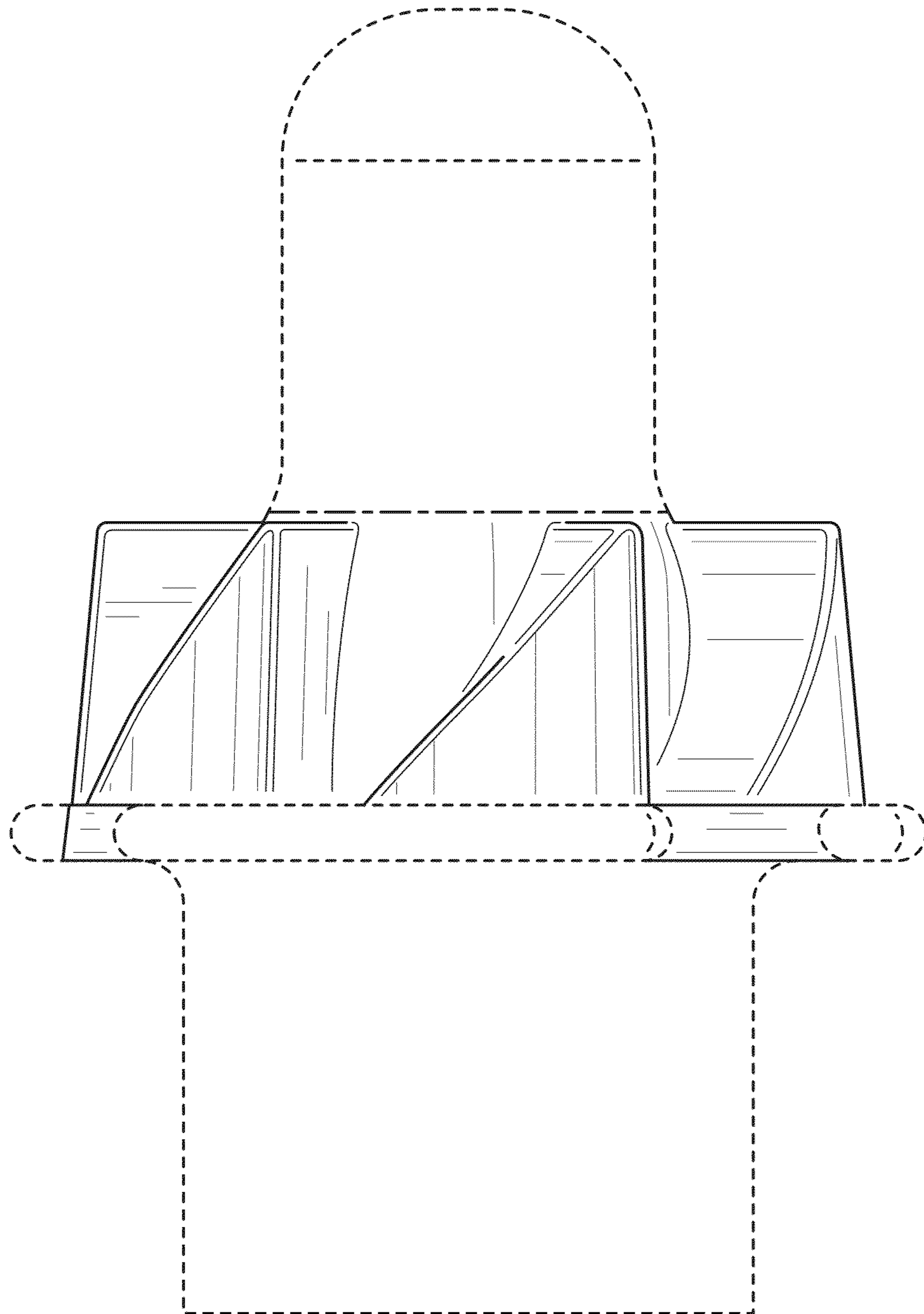


FIG. 4

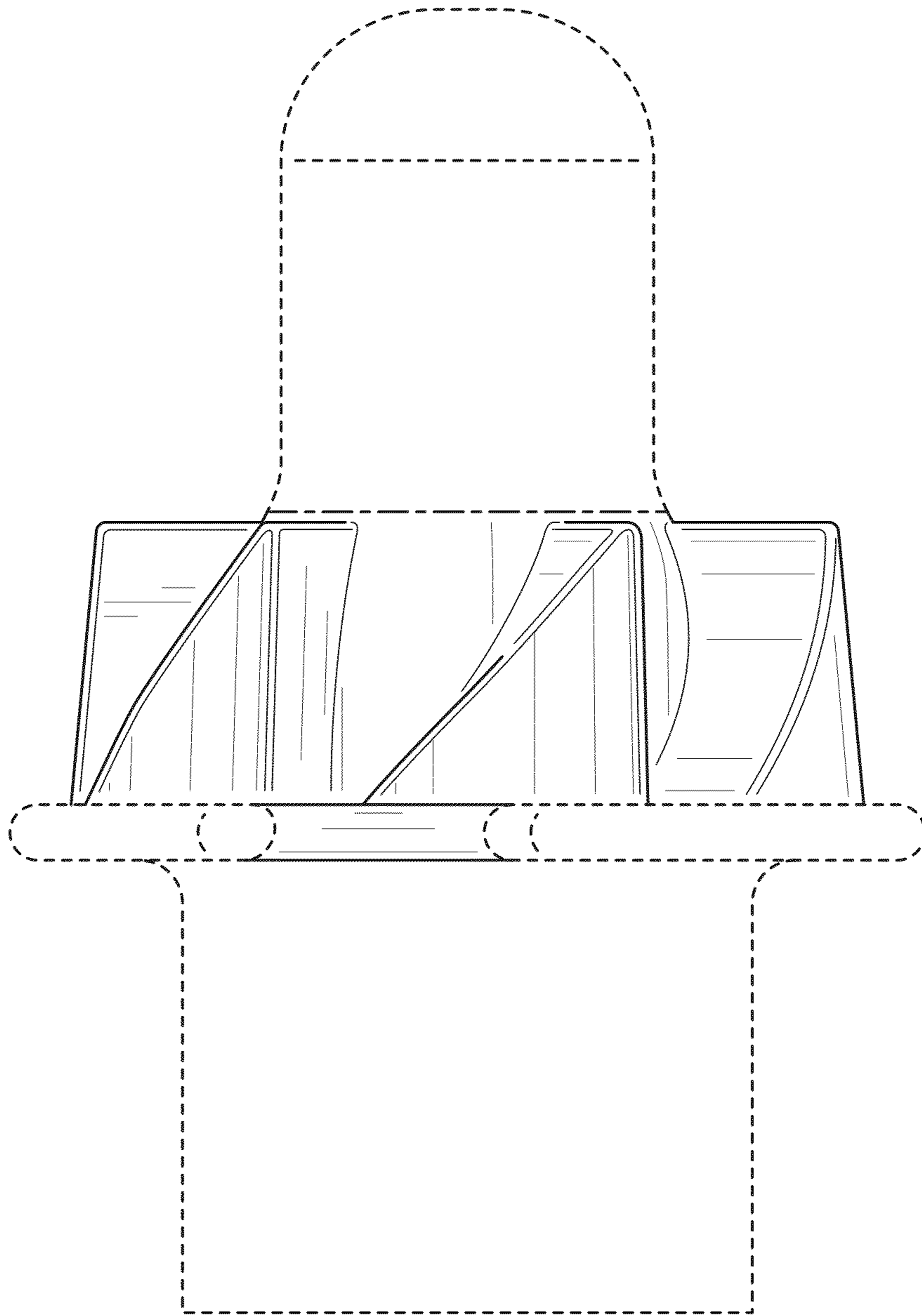


FIG. 5

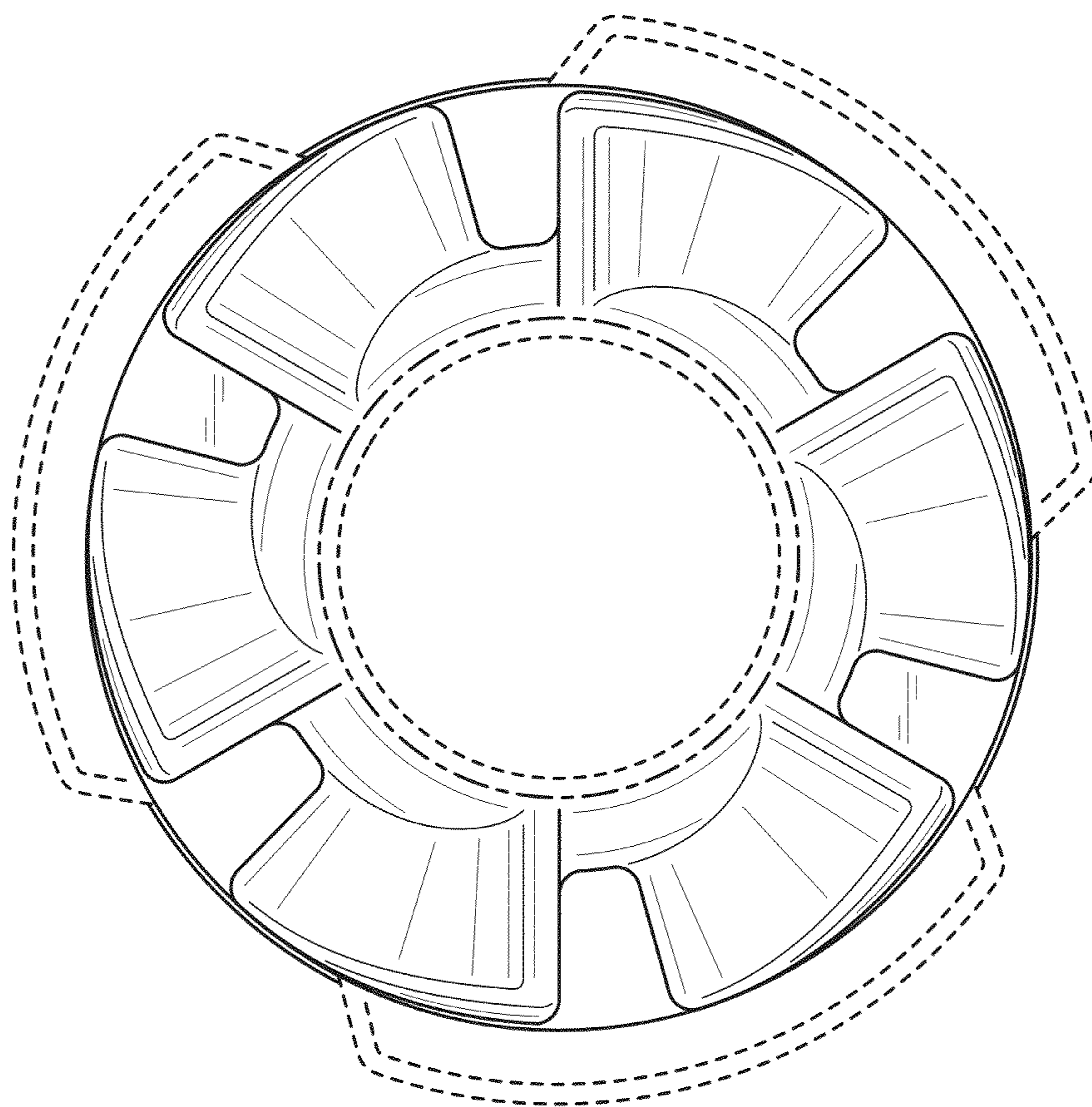


FIG. 6

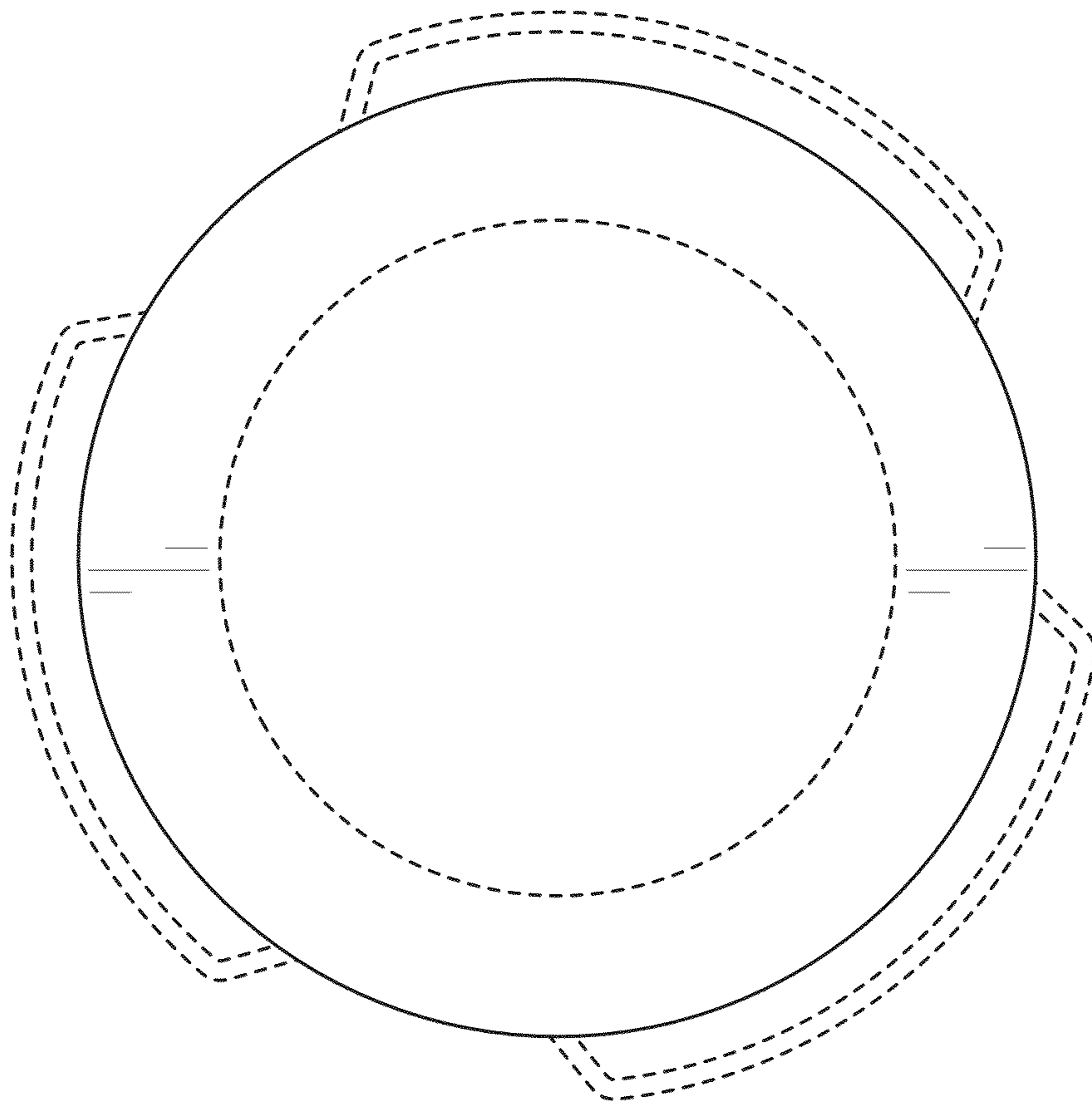


FIG. 7