

US00D692272S

(12) **United States Design Patent**
Montgomery

(10) **Patent No.:** **US D692,272 S**
(45) **Date of Patent:** **** Oct. 29, 2013**

(54) **UTENSIL RETENTION FEATURE FOR BOWL OR PAN**

(75) Inventor: **Seana L. Montgomery**, McKinney, TX (US)

(73) Assignee: **Seana L. Montgomery**, McKinney, TX (US)

(**) Term: **14 Years**

(21) Appl. No.: **29/428,189**

(22) Filed: **Jul. 27, 2012**

Related U.S. Application Data

(62) Division of application No. 29/369,663, filed on Sep. 10, 2010, now Pat. No. Des. 666,458.

(51) **LOC (9) Cl.** **07-01**

(52) **U.S. Cl.**
USPC **D7/396.1**

(58) **Field of Classification Search**
USPC 220/574.3, 576, 755, 769, 912, 573.1, 220/574; D7/586, 500, 361, 354, 323, 402, D7/412, 543, 545, 587, 303, 360, 691, D7/396.1; 99/422, 425, 445; 219/620, 621, 219/725, 726, 727, 728, 729, 730; D10/46.2; 228/174; D28/38

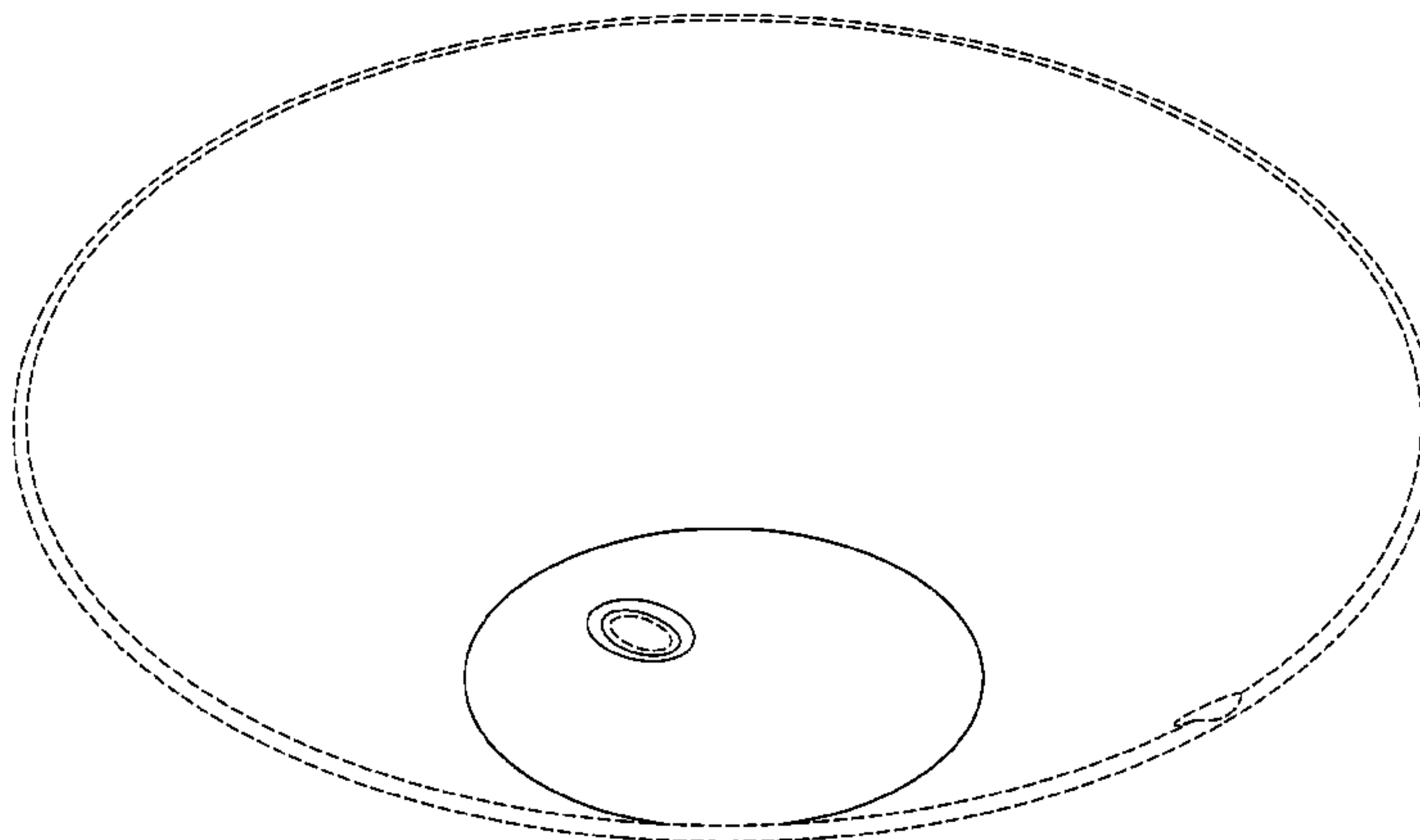
See application file for complete search history.

(56) **References Cited**

U.S. PATENT DOCUMENTS

D25,316 S *	3/1896	Dobson	D28/38
676,799 A *	6/1901	McLoughlin	206/526
785,116 A *	3/1905	Perry	277/649
D47,282 S *	5/1915	Buermann	D30/140
1,673,677 A *	6/1928	Holland	429/175
D109,508 S	5/1938	Wood	
D113,856 S	3/1939	Smith	
2,261,448 A *	11/1941	Petersen	273/317.3
2,350,475 A *	6/1944	Rabazzana	174/152 S
D162,354 S *	3/1951	Smith	D20/10
D167,942 S *	10/1952	Jones	D6/613
2,655,016 A	10/1953	Hudson	

3,033,945 A *	5/1962	Villchur	381/413
D195,345 S *	6/1963	Stageberg	D7/396.1
3,193,309 A *	7/1965	Morris	285/27
3,824,742 A *	7/1974	Rupp	451/42
D245,384 S *	8/1977	Ashton	D7/624.1
4,225,162 A *	9/1980	Dola	285/139.1
D270,887 S	10/1983	Allgeyer et al.	
D275,925 S *	10/1984	Bowen et al.	D7/357
D286,399 S *	10/1986	Willy	D14/222
4,834,328 A *	5/1989	Hall	248/37.3
4,873,795 A *	10/1989	Spiess et al.	52/20
4,921,447 A *	5/1990	Capp et al.	439/585
4,940,199 A *	7/1990	Hall	248/37.3
4,968,010 A *	11/1990	Odobasic	267/162
4,978,567 A *	12/1990	Miller	428/157
5,185,499 A *	2/1993	Yahraus	174/59
5,195,756 A *	3/1993	Wachter	277/523
D337,005 S *	7/1993	Culverhouse	D6/407
5,390,816 A *	2/1995	Boyd	220/574.1
5,413,502 A *	5/1995	Wang	439/551
D369,727 S *	5/1996	Ancona	D7/691
D372,286 S *	7/1996	Fortini	D21/753
5,532,073 A *	7/1996	Hirata et al.	429/460
D378,578 S *	3/1997	Eberhardt	D10/104.1
D386,042 S *	11/1997	Miller	D7/396.1
D391,118 S	2/1998	Jørgensen	
D405,656 S *	2/1999	Davis et al.	D7/637
5,915,580 A *	6/1999	Melk	215/386
5,922,993 A *	7/1999	Ide et al.	174/84 R
5,972,009 A *	10/1999	Fortier et al.	606/157
D423,621 S *	4/2000	Holtby	D21/791
D440,501 S *	4/2001	Dorion et al.	D10/46.2
D442,304 S *	5/2001	Huang	D26/28
D443,181 S	6/2001	Miller	
6,331,123 B1 *	12/2001	Rodrigues	439/584
D455,599 S *	4/2002	Cheng	D7/354
D473,752 S *	4/2003	Kerr	D7/505
D477,367 S *	7/2003	Gaines et al.	D20/17
6,604,714 B1 *	8/2003	Hall	248/37.3
D482,575 S	11/2003	Mountain	
D484,690 S *	1/2004	Vazquez	D3/238
D492,538 S *	7/2004	Cheng	D7/357
D509,994 S	9/2005	Hadland	
6,990,893 B2 *	1/2006	Cheng	99/422
D541,104 S *	4/2007	Barber	D7/393
D546,117 S *	7/2007	Orr	D7/357
D560,434 S	1/2008	Feil	
D564,302 S	3/2008	Freeman	
D565,357 S *	4/2008	Chan	D7/586
D593,807 S	6/2009	Kong	
D600,497 S *	9/2009	Ek	D7/361
D603,211 S *	11/2009	Ek	D7/354
D617,609 S *	6/2010	Thomas	D7/601



D617,610	S	*	6/2010	Thomas	D7/601
D627,198	S		11/2010	Hull et al.		
D630,891	S		1/2011	Thonis		
D639,115	S		6/2011	Stewart et al.		
D650,005	S	*	12/2011	Perks	D17/99
D650,006	S	*	12/2011	Perks	D17/99
D656,792	S		4/2012	Sink et al.		
8,167,129	B2	*	5/2012	Hatcher	206/565
8,172,612	B2	*	5/2012	Bence et al.	439/578
8,192,237	B2	*	6/2012	Purdy et al.	439/792
8,216,315	B2	*	7/2012	Ralph et al.	623/17.16
D672,192	S	*	12/2012	Zibilich	D7/359
2003/0015018	A1	*	1/2003	Brannon et al.	73/1.89
2009/0241347	A1		10/2009	Weaver		
2009/0321455	A1	*	12/2009	Fernandez et al.	220/574

OTHER PUBLICATIONS

U.S. Appl. No. 13/490,364, filed Jun. 6, 2012, entitled "Bowl with Utensil Holder", inventor Seana L. Montgomery.

* cited by examiner

Primary Examiner — Cynthia Underwood
(74) *Attorney, Agent, or Firm* — Patent Capital Group

(57) **CLAIM**

The ornamental design for a utensil retention feature for bowl or pan, as shown and described.

DESCRIPTION

This Design Application is also related to co-pending U.S. Design patent application Ser. No. 29/428,184, filed on Jul. 27, 2012, entitled Bowl With Utensil Retention Feature; U.S. Design patent application Ser. No. 29/428,185, filed on Jul. 27, 2012, entitled Bowl With Utensil Retention Feature; U.S. Design patent application Ser. No. 29/428,187, filed on Jul. 27, 2012, entitled Bowl With Utensil Retention Feature; U.S. Design patent application Ser. No. 29/428,188, filed on Jul. 27, 2012, entitled Bowl With Utensil Retention Feature; U.S. Design patent application Ser. No. 29/428,215, filed on Jul. 27, 2012, entitled Bowl With Utensil Retention Feature; U.S. Design patent application Ser. No. 29/428,221, filed on Jul. 27, 2012, entitled Bowl With Utensil Retention Feature; U.S. Design patent application Ser. No. 29/428,222, filed on Jul. 27, 2012, entitled Bowl With Utensil Retention Feature; U.S. Design patent application Ser. No. 29/428,225 filed on Jul. 27, 2012, entitled Bowl With Utensil Retention Feature; U.S. Design patent application Ser. No. 29/428,227, filed on Jul. 27, 2012, entitled Bowl With Utensil Retention Feature; U.S. Design patent application Ser. No. 29/428,232, filed on Jul. 27, 2012, entitled Bowl With Utensil Retention Feature; U.S.

Design patent application Ser. No. 29/428,240, filed on Jul. 27, 2012, entitled Bowl With Utensil Retention Feature; U.S. Design patent application Ser. No. 29/428,244, filed on Jul. 27, 2012, entitled Bowl With Utensil Retention Feature; U.S. Design patent application Ser. No. 29/428,248, filed on Jul. 27, 2012, entitled Bowl With Utensil Retention Feature; U.S. Design patent application Ser. No. 29/428,253, filed on Jul. 27, 2012, entitled Bowl With Utensil Retention Feature; U.S. Design patent application Ser. No. 29/428,256, filed on Jul. 27, 2012, entitled Bowl With Utensil Retention Feature; U.S. Design patent application Ser. No. 29/428,261, filed on Jul. 27, 2012, entitled Bowl With Utensil Retention Feature; U.S. Design patent application Ser. No. 29/428,270, filed on Jul. 27, 2012, entitled Bowl With Utensil Retention Feature; U.S. Design patent application Ser. No. 29/428,276, filed on Jul. 27, 2012, entitled Bowl With Utensil Retention Feature; and U.S. Design patent application Ser. No. 29/428,279, filed on Jul. 27, 2012, entitled Bowl With Utensil Retention Feature. The disclosure of these Design Applications are considered part of and are incorporated by reference in the disclosure of this design application.

FIG. 1 is a top perspective view of a first embodiment of a utensil retention feature for bowl or pan;
FIG. 2 is a front view of FIG. 1;
FIG. 3 is a back view of FIG. 1;
FIG. 4 is a side view of FIG. 1;
FIG. 5 is another side view of FIG. 1;
FIG. 6 is a top view of FIG. 1;
FIG. 7 is a bottom view of FIG. 1;
FIG. 8 is a top perspective view of a second embodiment of a utensil retention feature for bowl or pan;
FIG. 9 is a front view of FIG. 8;
FIG. 10 is a back view of FIG. 8;
FIG. 11 is a side view of FIG. 8;
FIG. 12 is another side view of FIG. 8;
FIG. 13 is a top view of FIG. 8;
FIG. 14 is a bottom view of FIG. 8;
FIG. 15 is a top perspective view of a third embodiment of a utensil retention feature for bowl or pan;
FIG. 16 is a front view of FIG. 15;
FIG. 17 is a back view of FIG. 15;
FIG. 18 is a side view of FIG. 15;
FIG. 19 is another side view of FIG. 15;
FIG. 20 is a top view of FIG. 15; and
FIG. 21 is a bottom view of FIG. 15.
The broken lines are included for the illustrative purposes only and form no part of the claimed design.

1 Claim, 14 Drawing Sheets

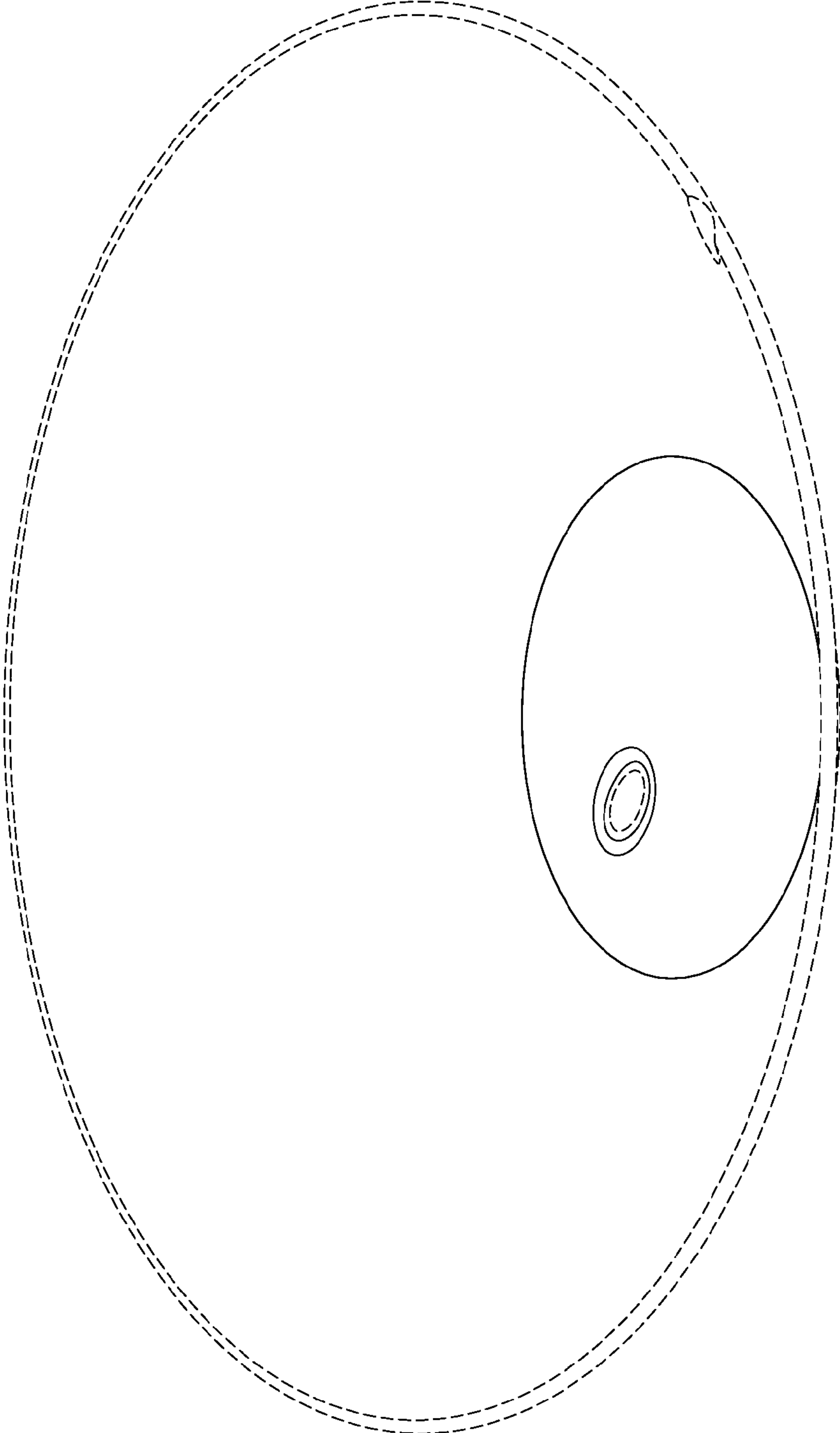


FIG. 1

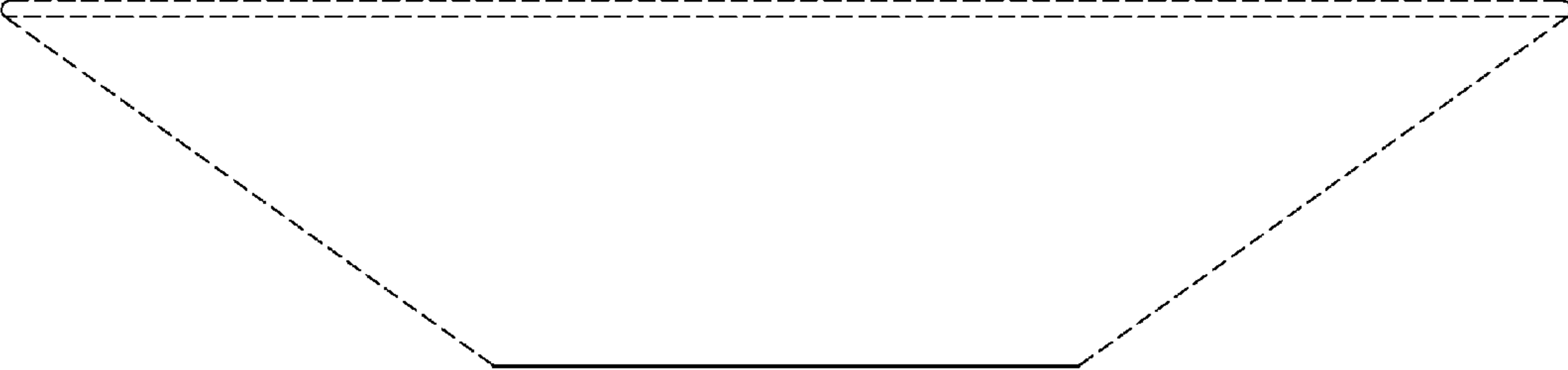


FIG. 2

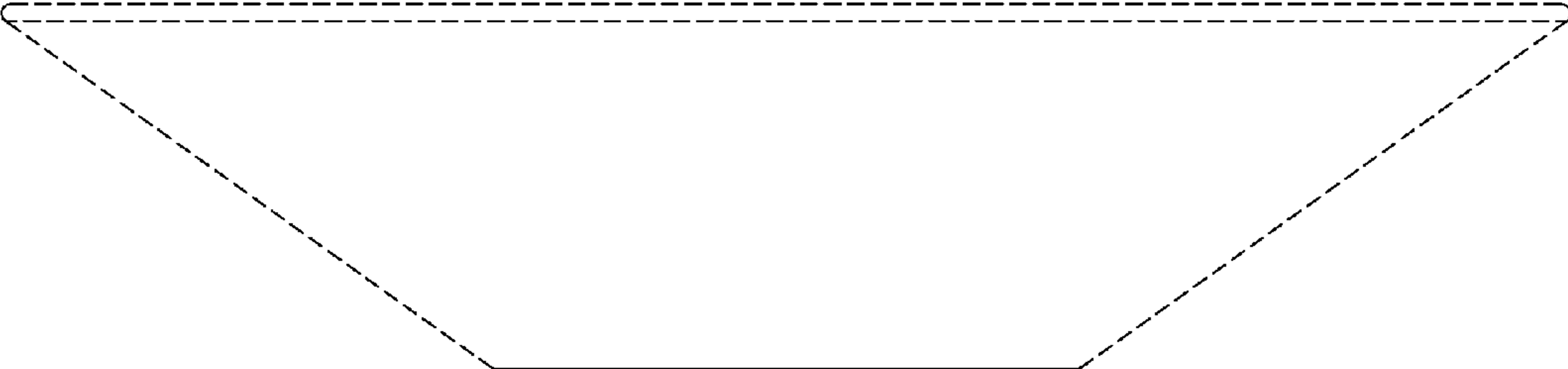


FIG. 3

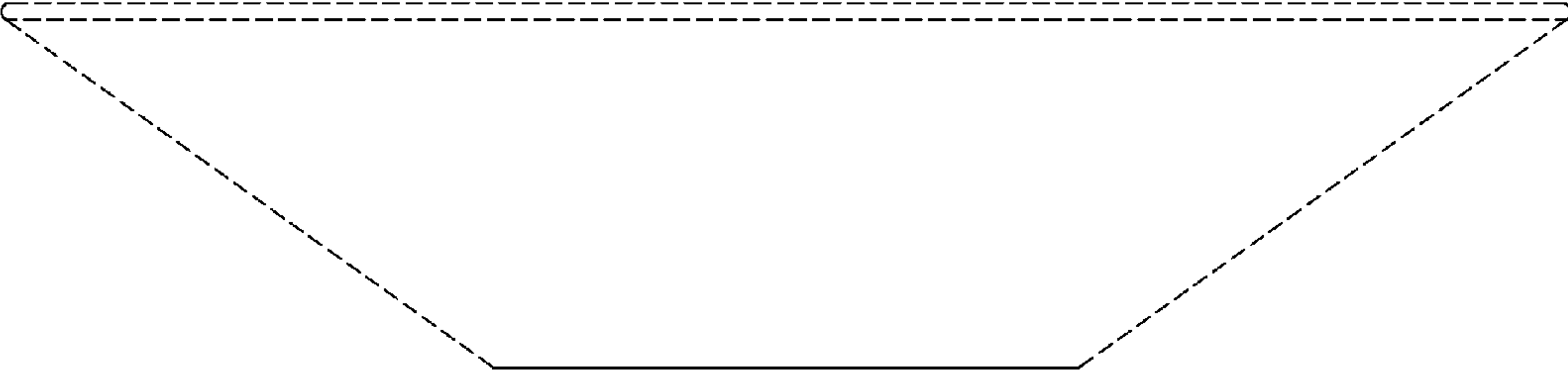


FIG. 4

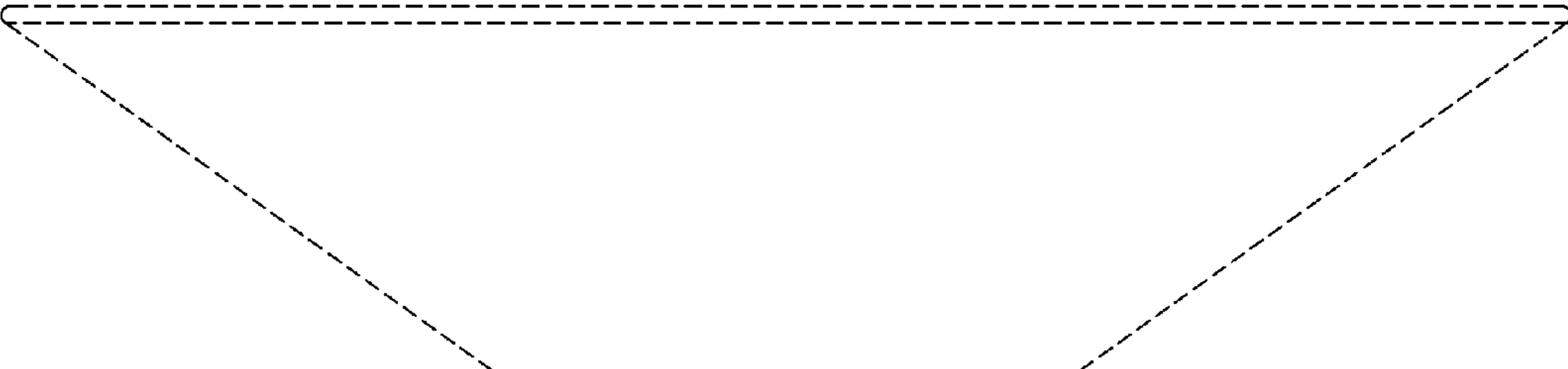


FIG. 5

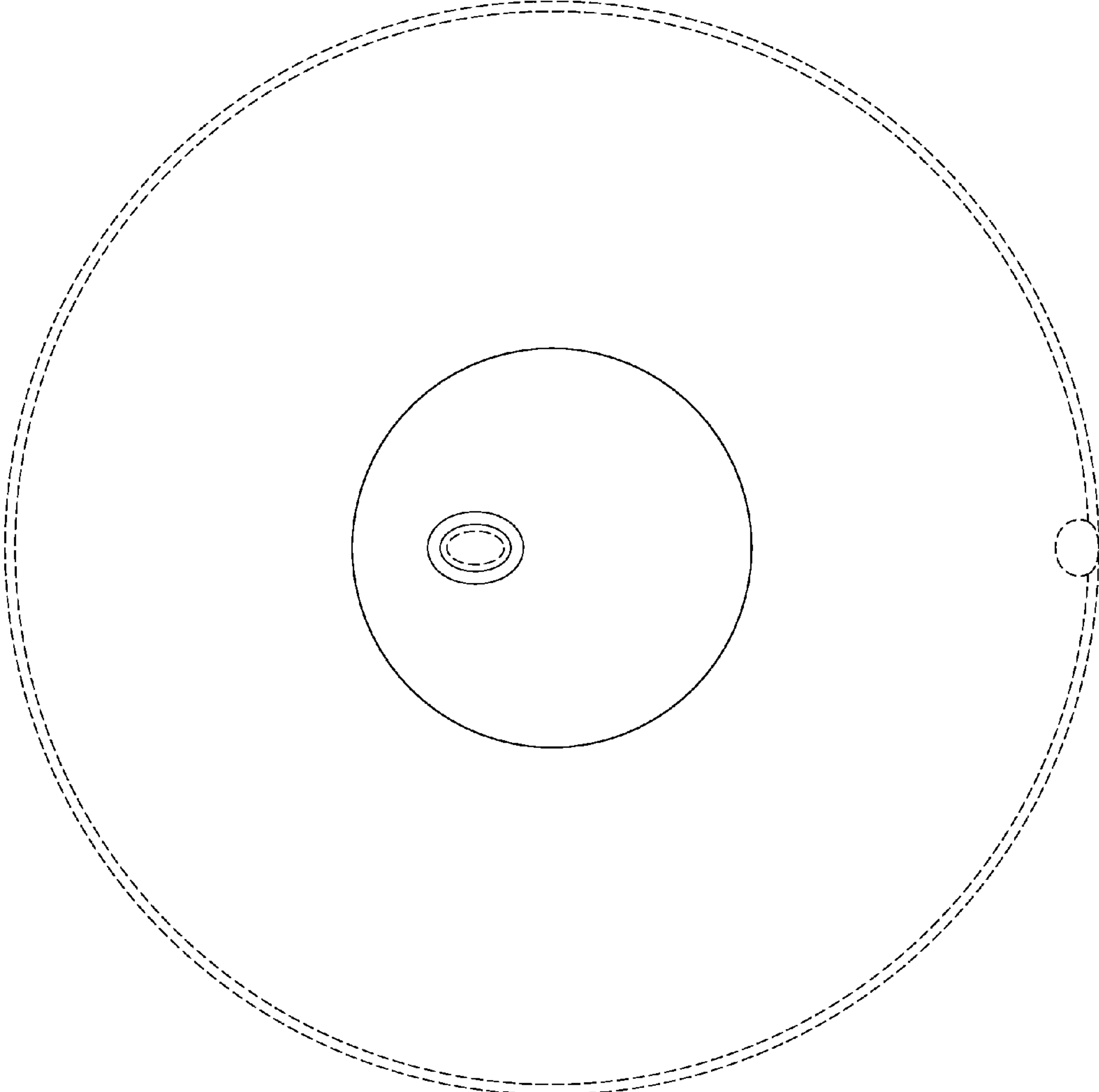


FIG. 6

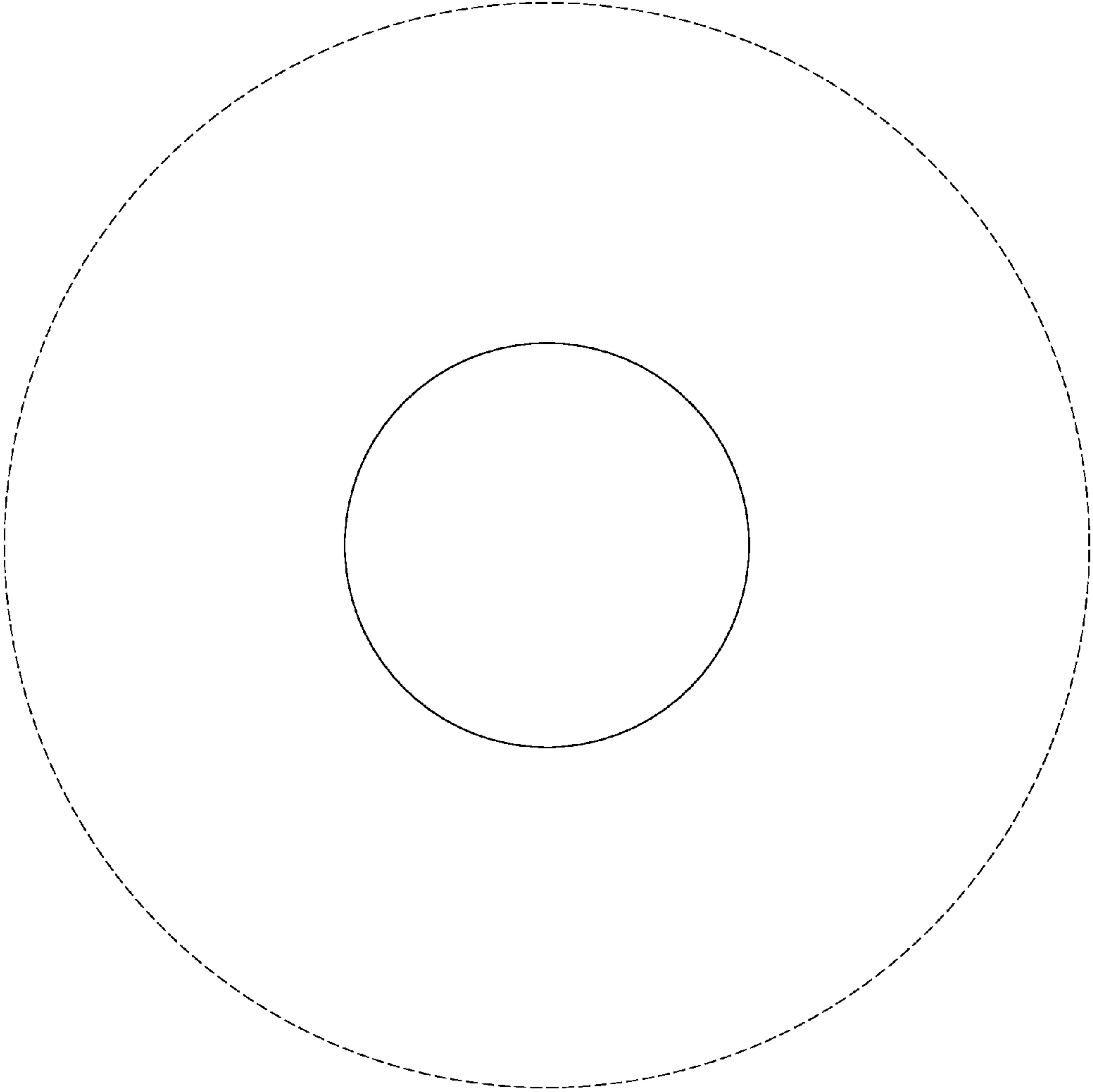


FIG. 7

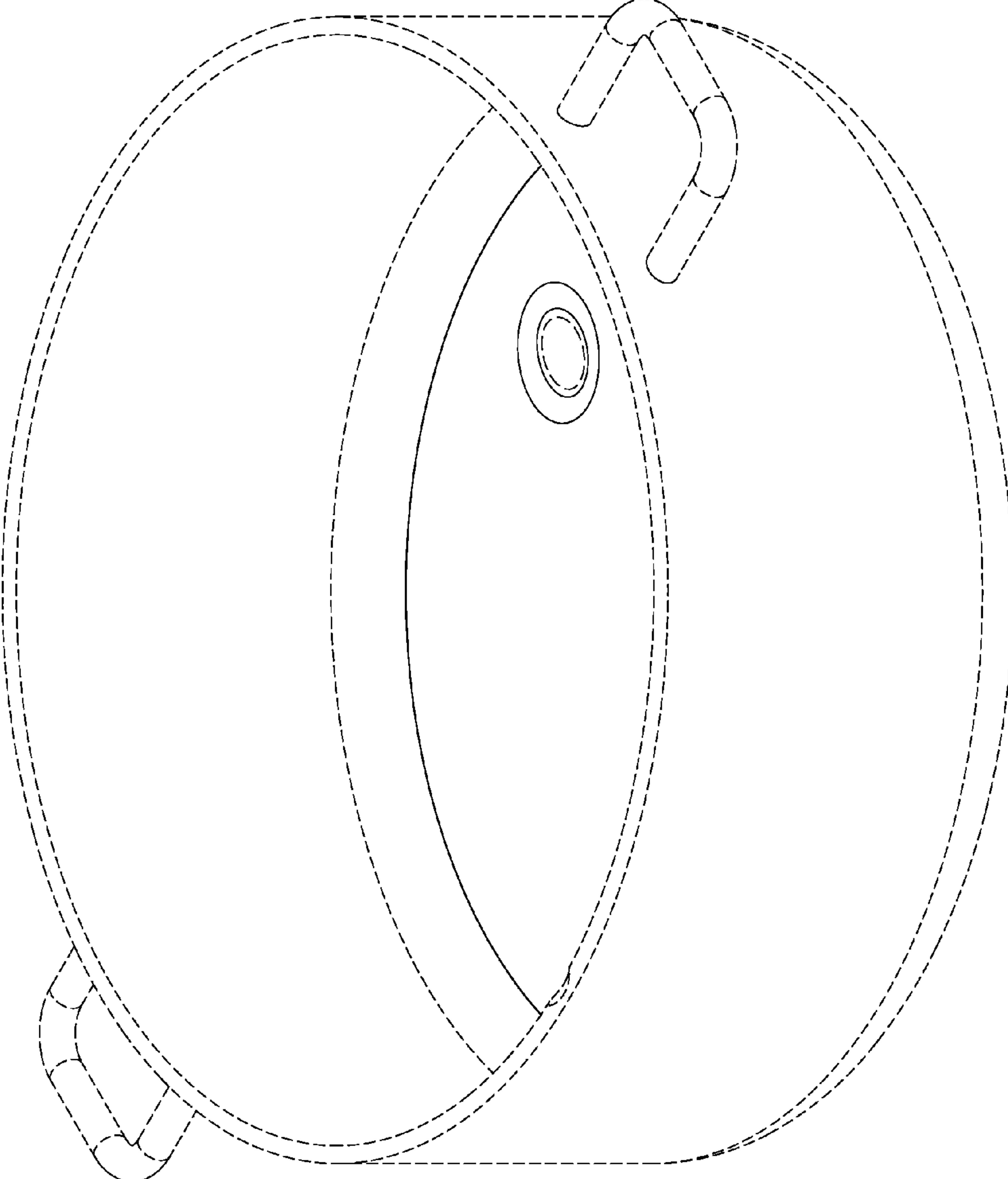


FIG. 8

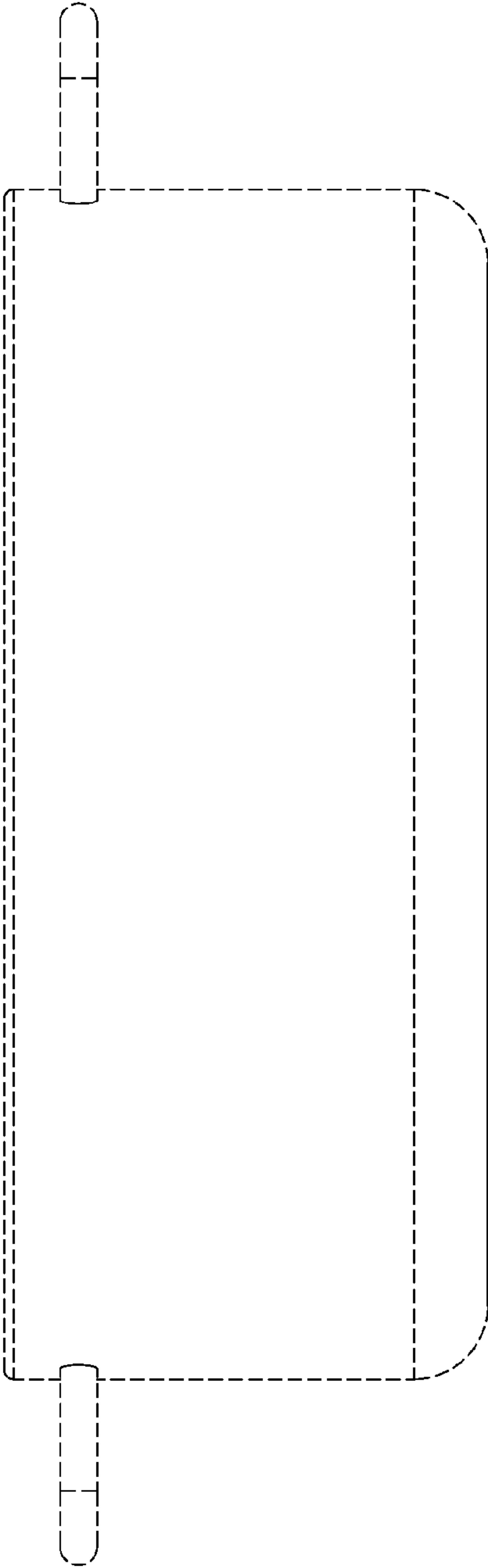


FIG. 9

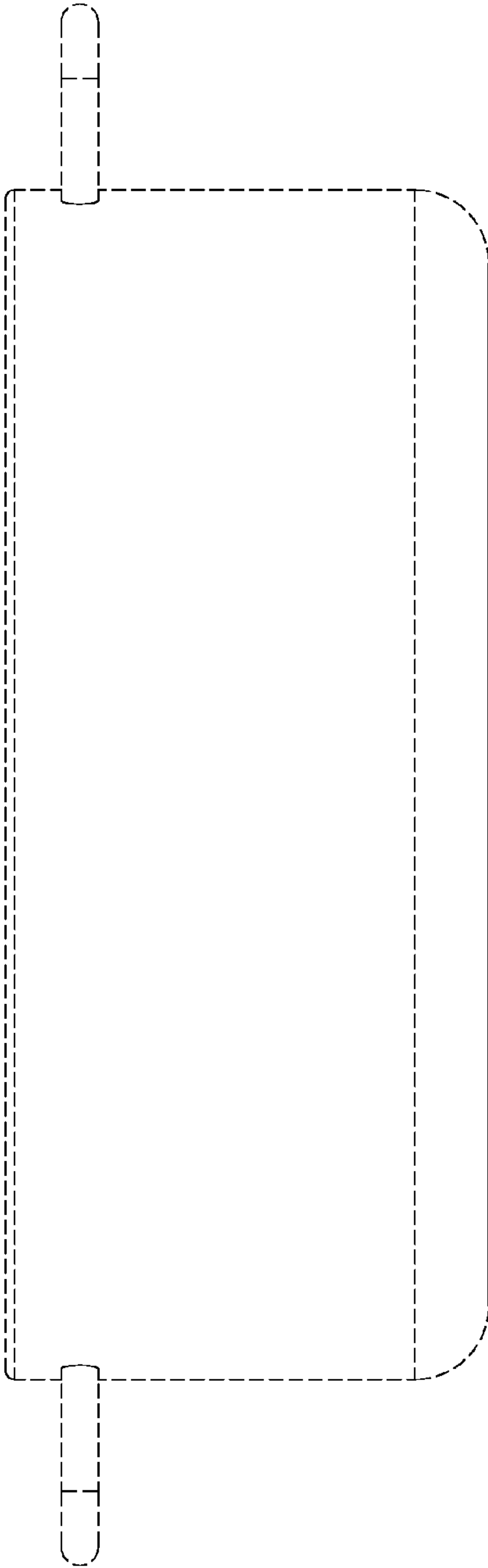


FIG. 10

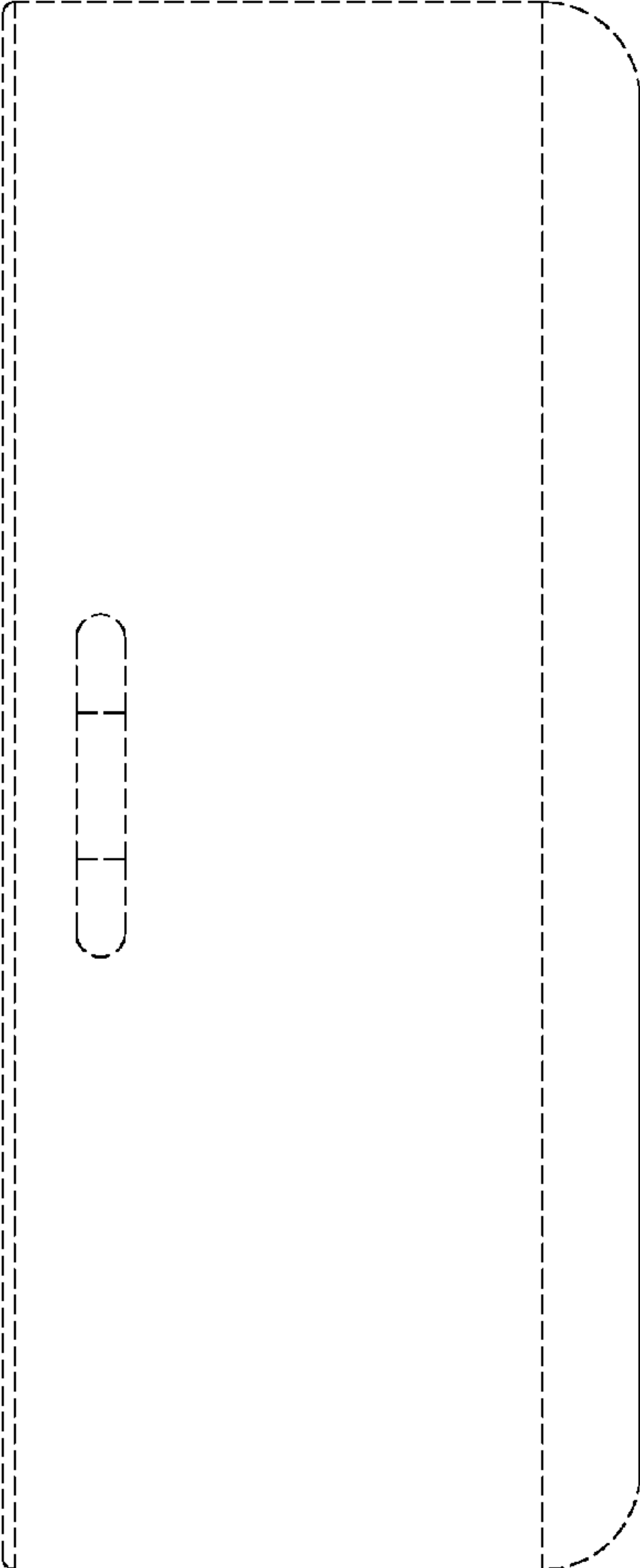


FIG. 11

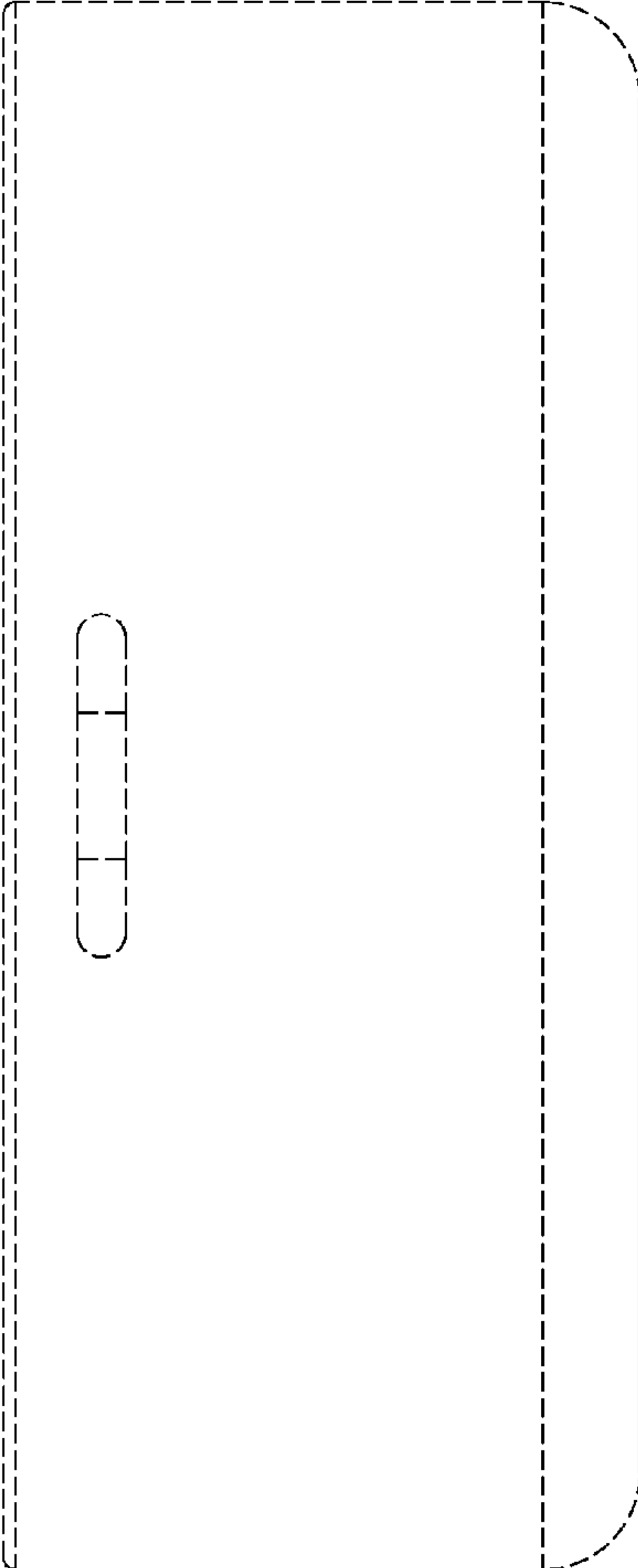


FIG. 12

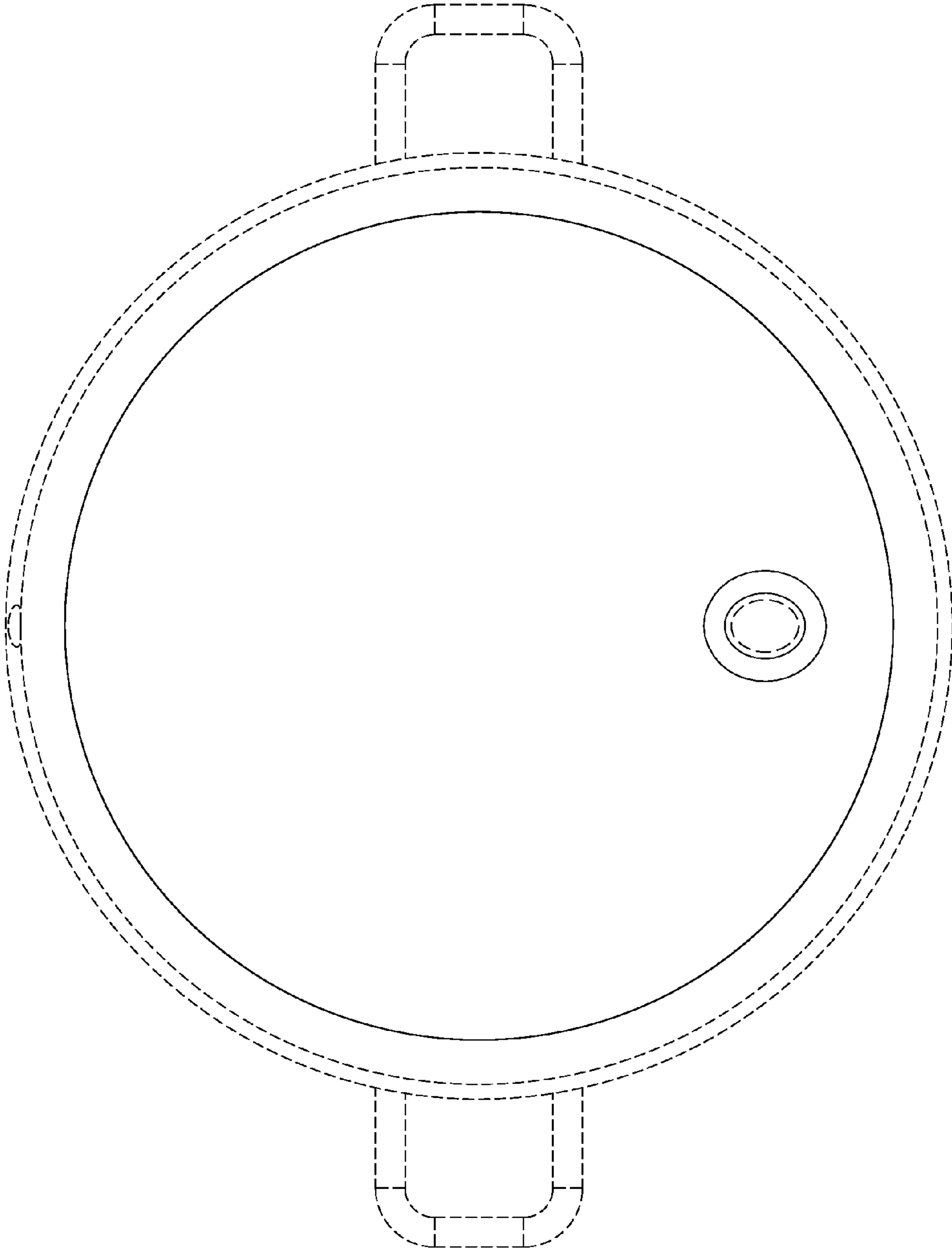


FIG. 13

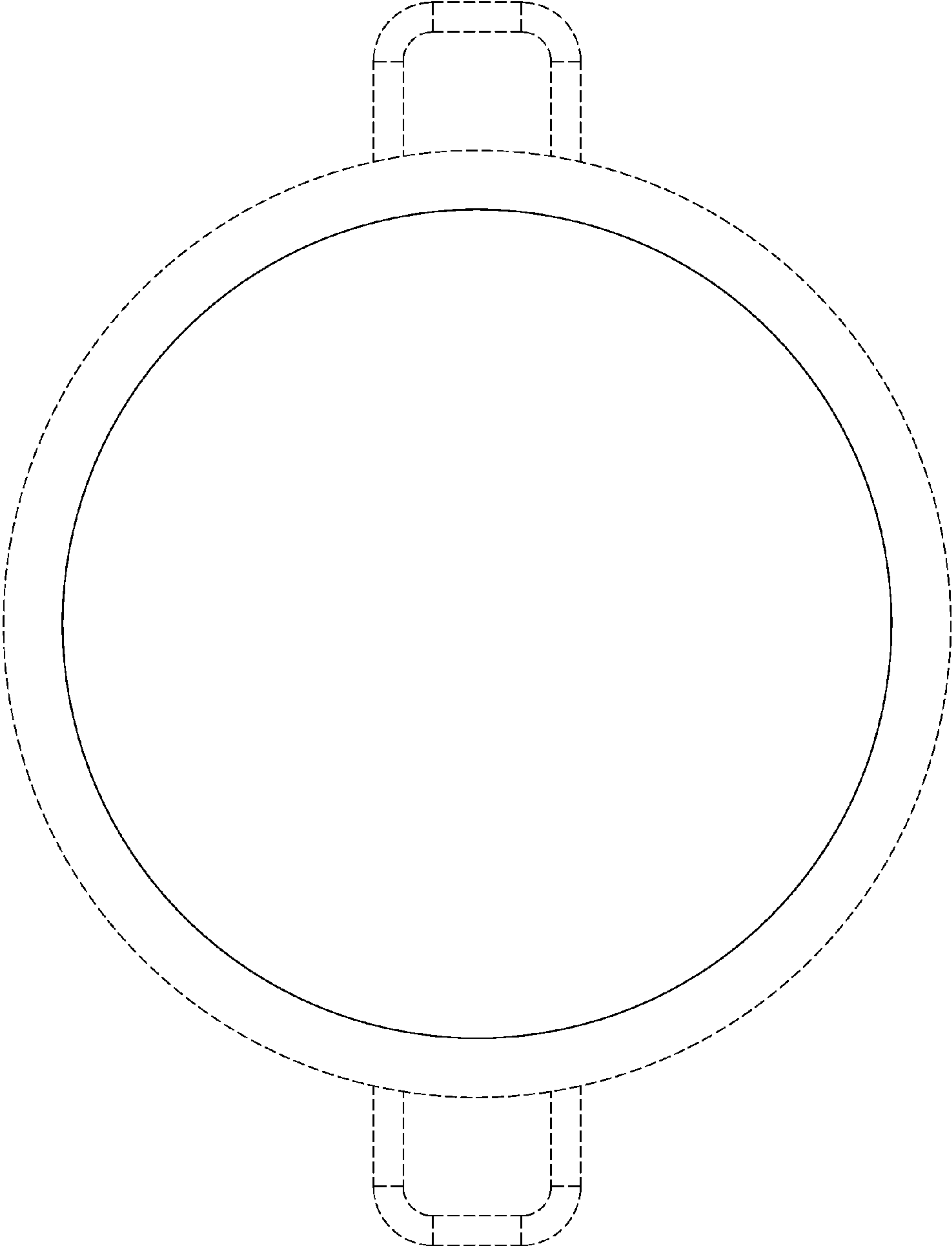


FIG. 14

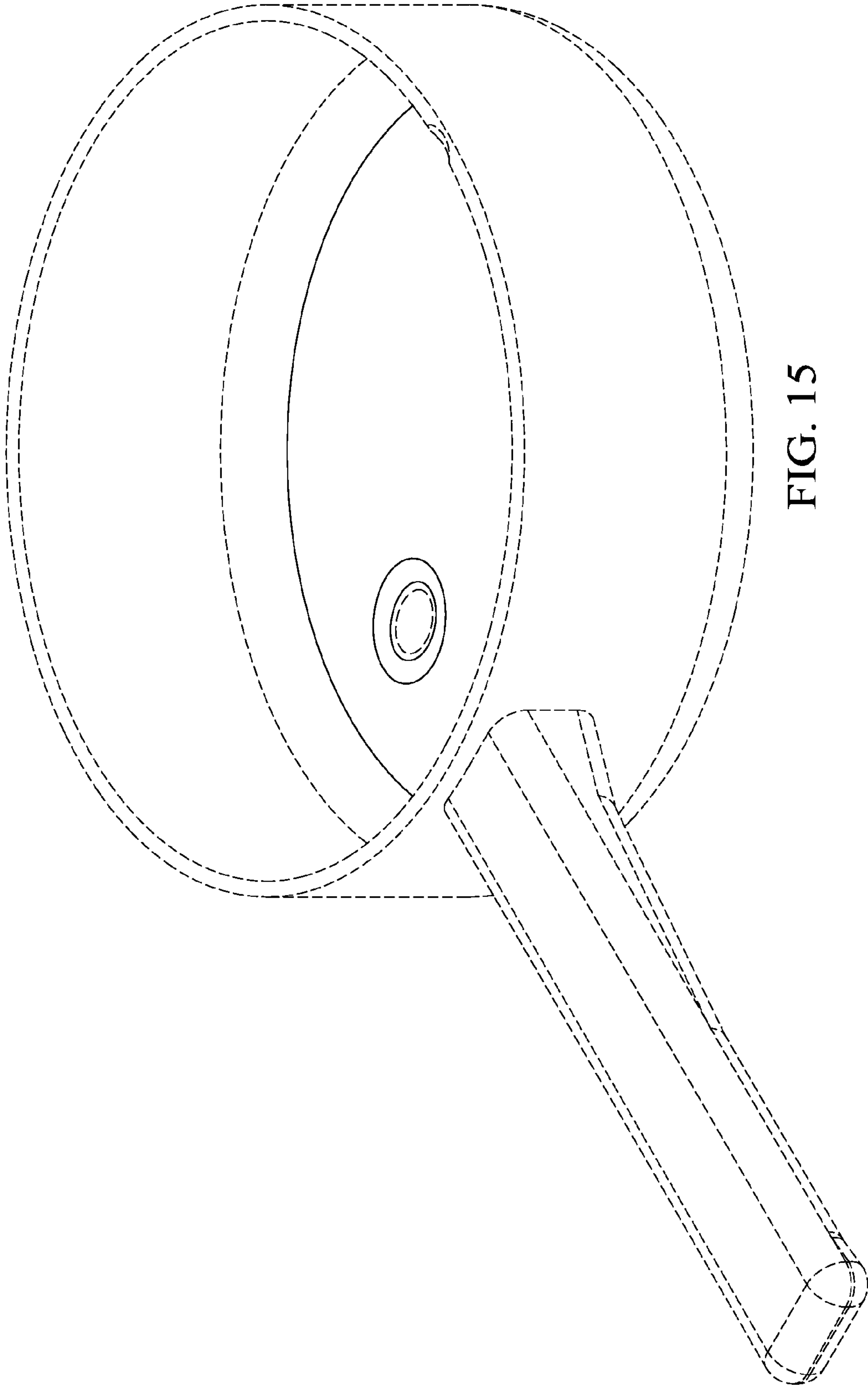


FIG. 15

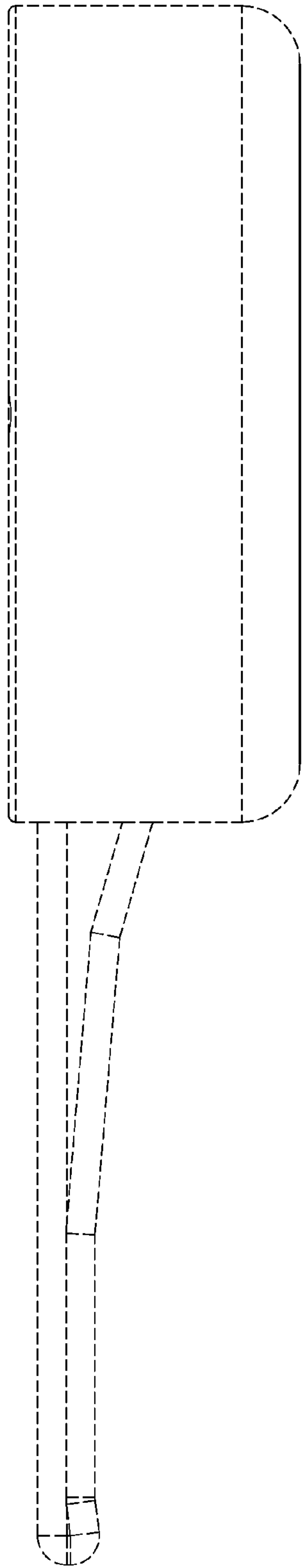


FIG. 16

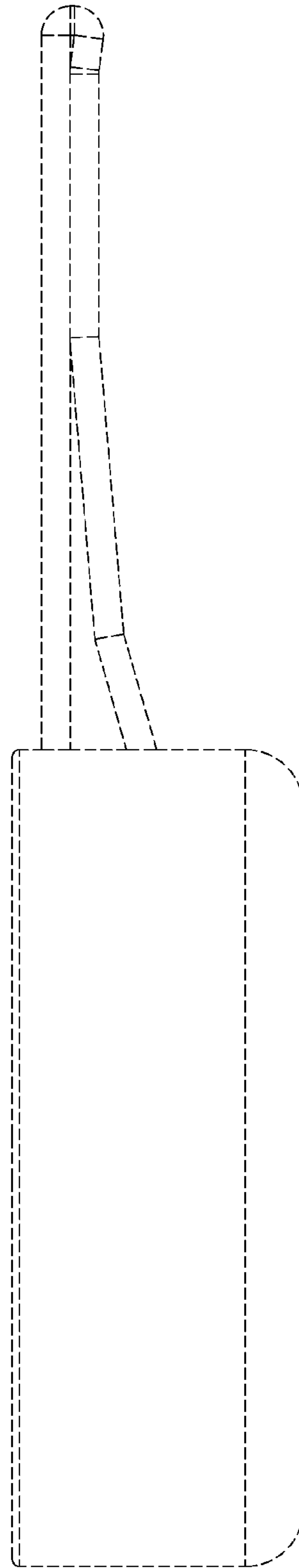


FIG. 17

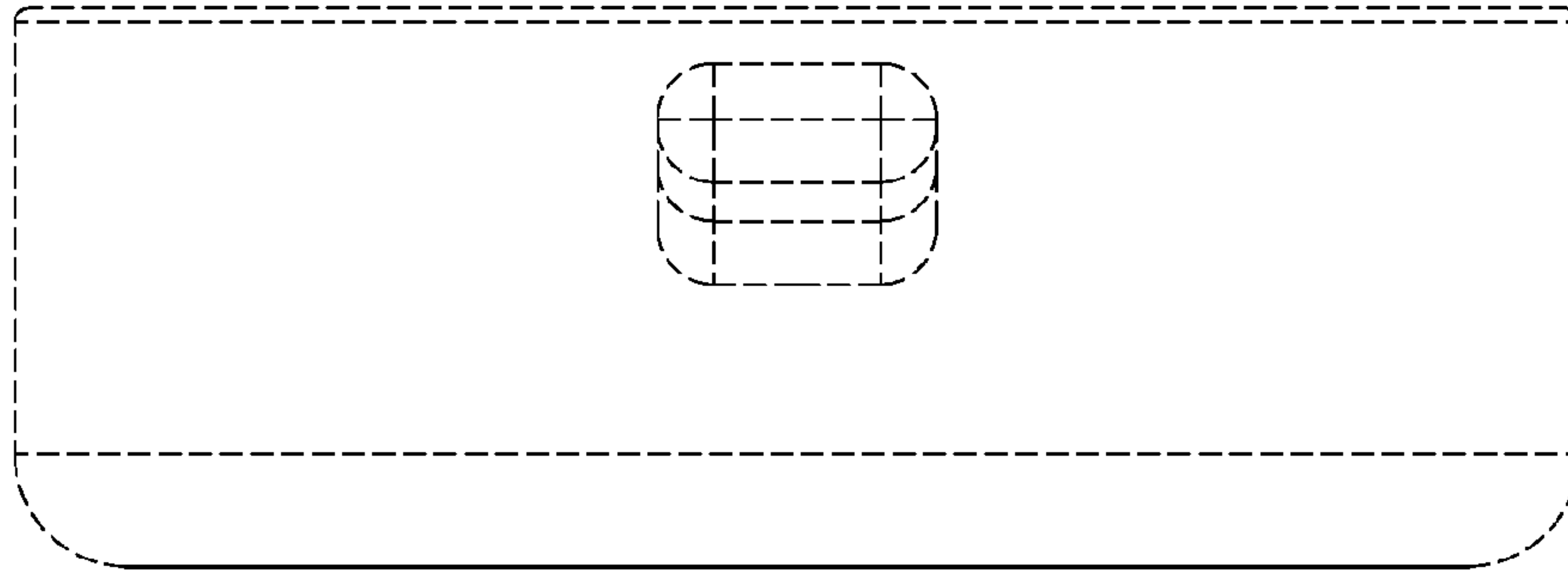


FIG. 18

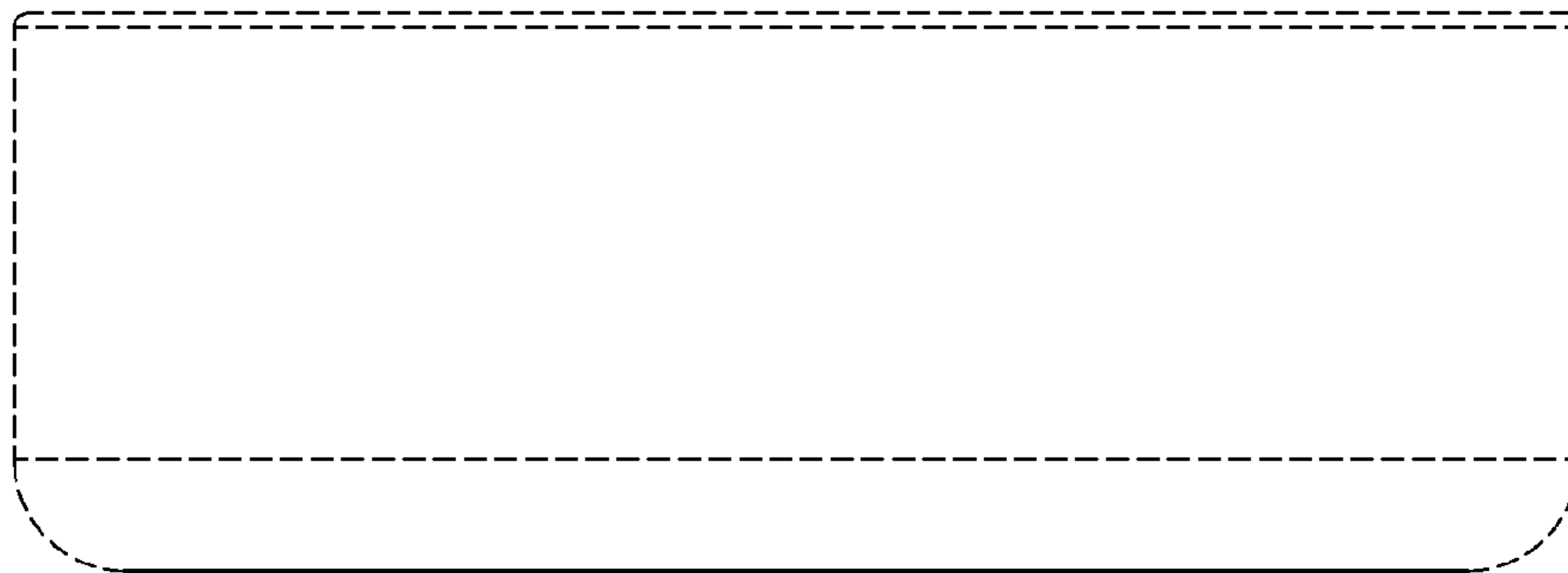


FIG. 19

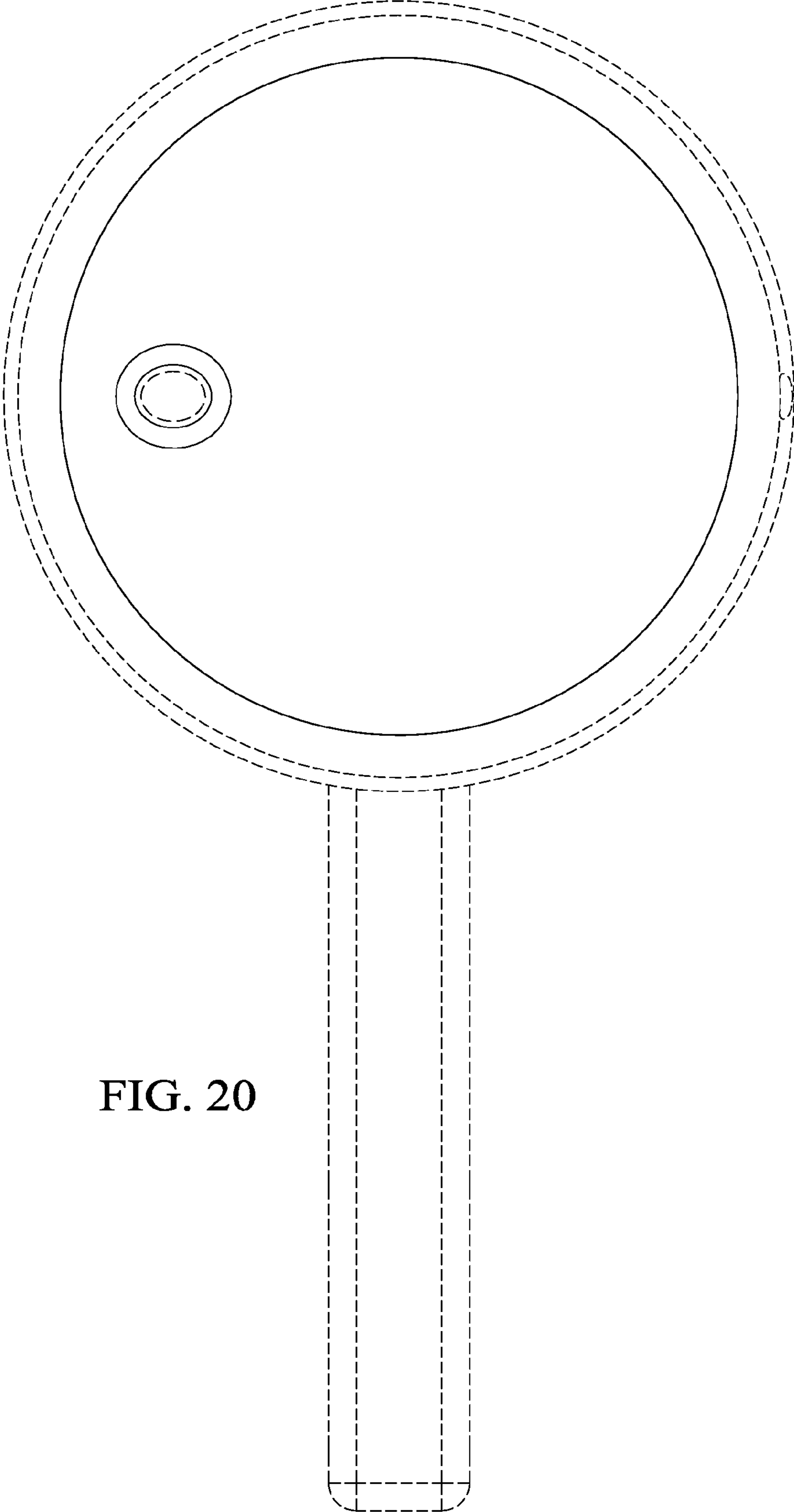


FIG. 20

FIG. 21

