



US00D692271S

(12) **United States Design Patent**
Ludeman et al.

(10) **Patent No.:** **US D692,271 S**
(45) **Date of Patent:** **** Oct. 29, 2013**

(54) **LID HANDLE**

(71) Applicant: **WKI Holding Company, Inc.**,
Rosemont, IL (US)

(72) Inventors: **Karl Ludeman**, Chicago, IL (US);
Zhang Hua Dong, Shenzhen (CN)

(73) Assignee: **WKI Holding Company, Inc.**,
Rosemont, IL (US)

(**) Term: **14 Years**

(21) Appl. No.: **29/444,886**

(22) Filed: **Feb. 5, 2013**

(51) **LOC (9) Cl.** **07-02**

(52) **U.S. Cl.**
USPC **D7/393**

(58) **Field of Classification Search**
USPC D7/354-358, 359-361, 391, 393, 402,
D7/405, 406, 682; D8/107, 307, 300, 310,
D8/311, 314; D13/171, 174; 16/110 R,
16/114 R, 118, 121, 309, 311, 312, 315,
16/320, 430, 431, 441; 74/548, 553,
74/558.5; 200/18, 61.8, 336-338,
200/564-570; 220/573.1-573.5, 752, 753,
220/755, 912; D9/439

See application file for complete search history.

(56) **References Cited**

U.S. PATENT DOCUMENTS

D271,464 S * 11/1983 Carlson D8/301
D423,903 S * 5/2000 Keller D8/314

D499,631 S * 12/2004 Sale, Jr. D8/310
D506,378 S * 6/2005 Coudurier D8/310
D560,110 S * 1/2008 Ricereto et al. D8/310
D652,249 S * 1/2012 Munari D7/393

* cited by examiner

Primary Examiner — Cynthia M Chin

(74) *Attorney, Agent, or Firm* — McDermott Will & Emery
LLP

(57) **CLAIM**

We claim the ornamental design for a lid handle, as shown and described.

DESCRIPTION

FIG. 1 is a top perspective view of a lid handle according to the new design shown within an environment in which it is used;

FIG. 2 is top perspective view of a lid handle according to the new design;

FIG. 3 is a bottom perspective view of the lid handle shown in FIG. 1;

FIG. 4 is a top plan view of the lid handle shown in FIG. 1;

FIG. 5 a bottom plan view of the lid handle shown in FIG. 1;

FIG. 6 is a left end elevation view of the lid handle shown in FIG. 1;

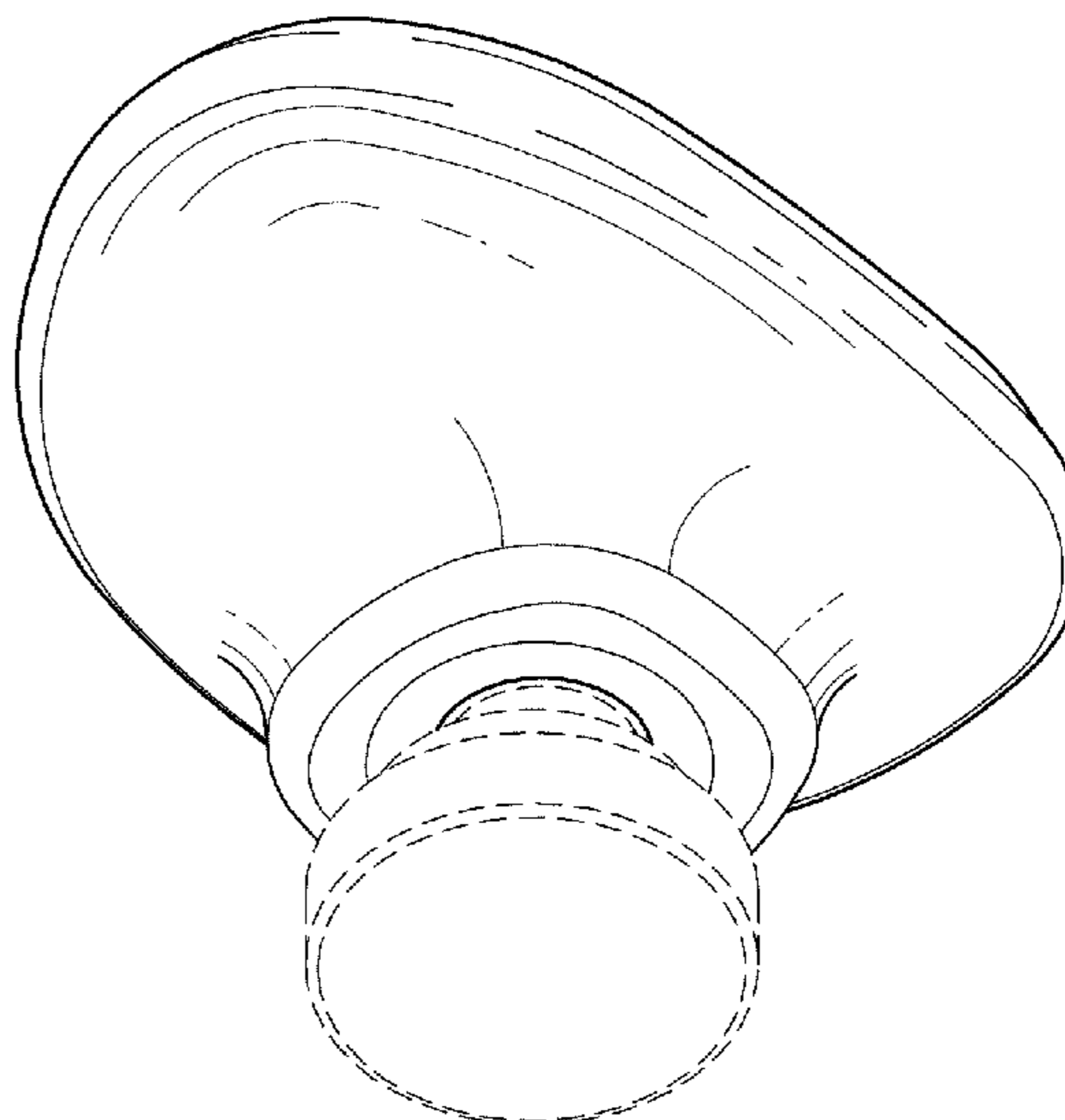
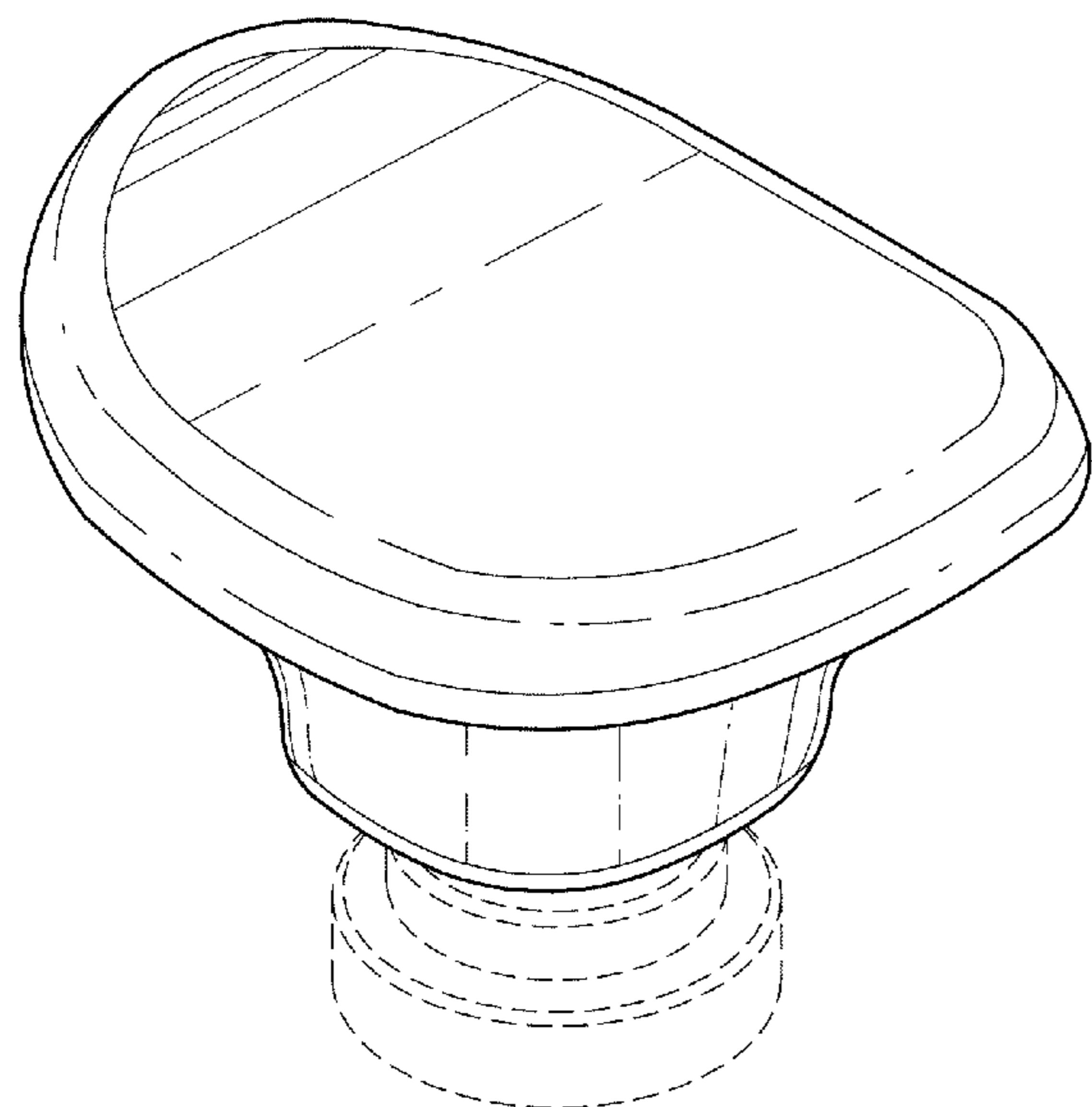
FIG. 7 is a left side elevation view of the lid handle shown in FIG. 1;

FIG. 8 is a right end elevation view of the lid handle shown in FIG. 1; and,

FIG. 9 is a right side elevation view of the lid handle shown in FIG. 1.

Features shown in broken lines form no part of the claimed design.

1 Claim, 5 Drawing Sheets



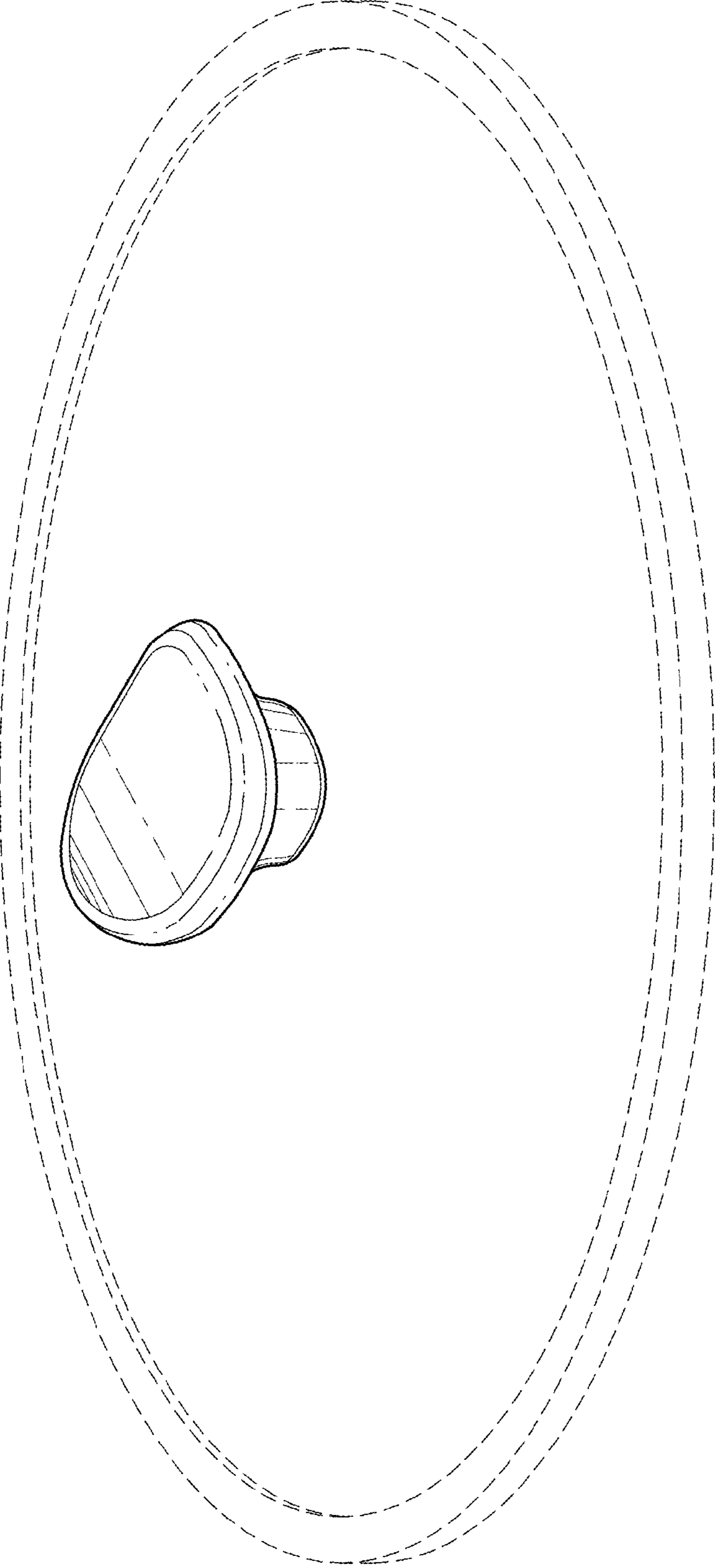


FIG. 1

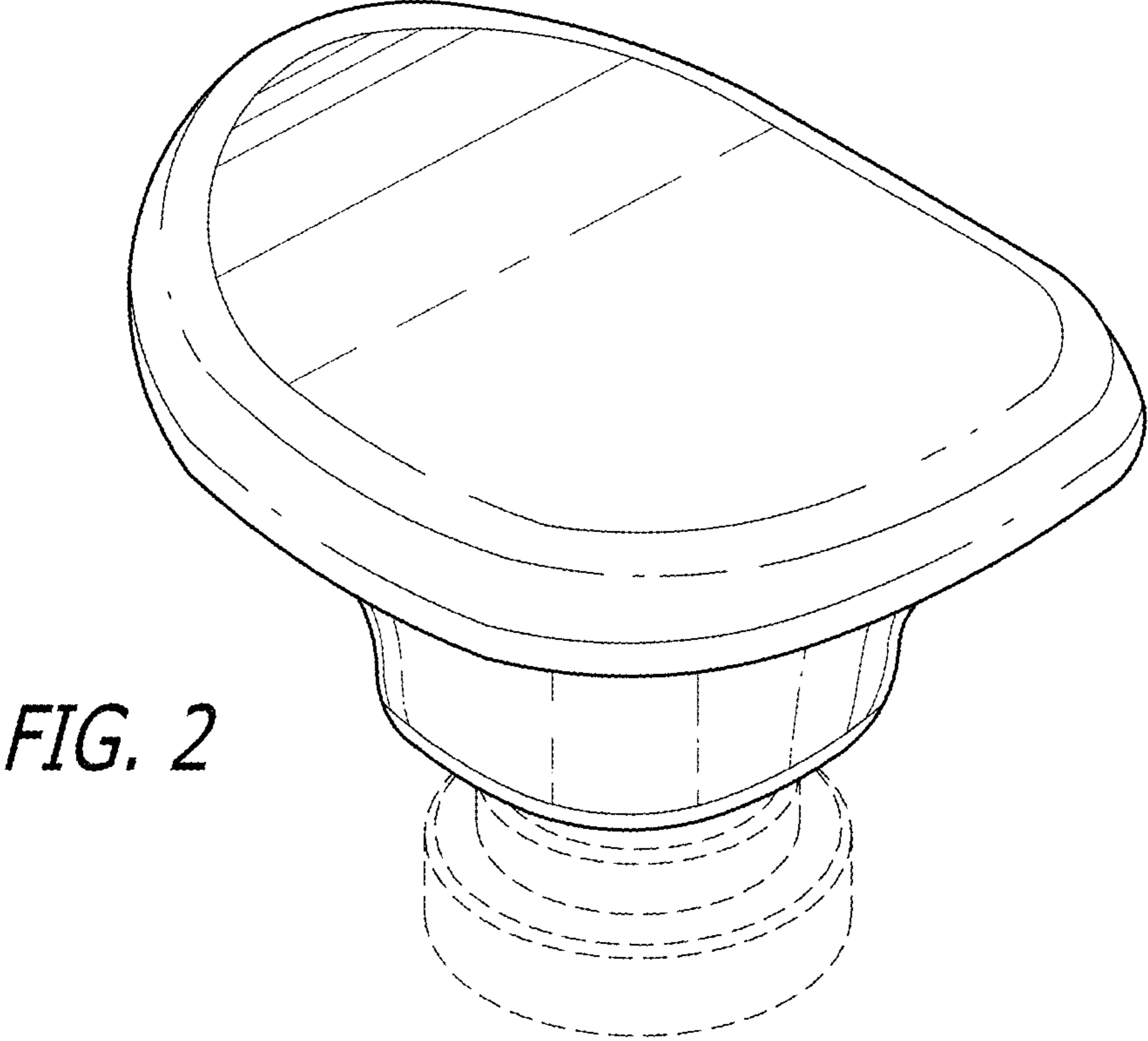


FIG. 2

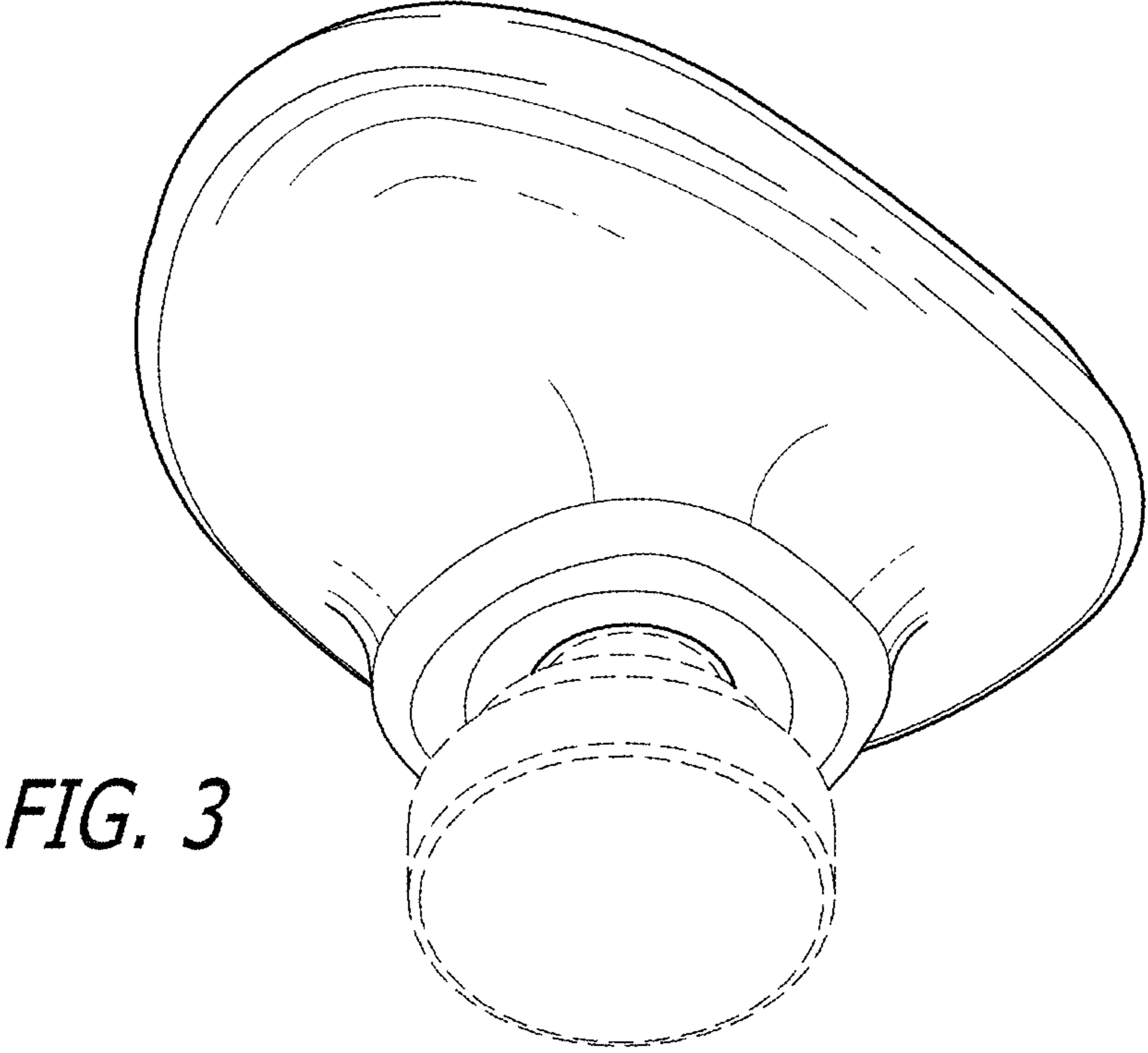


FIG. 3

FIG. 4

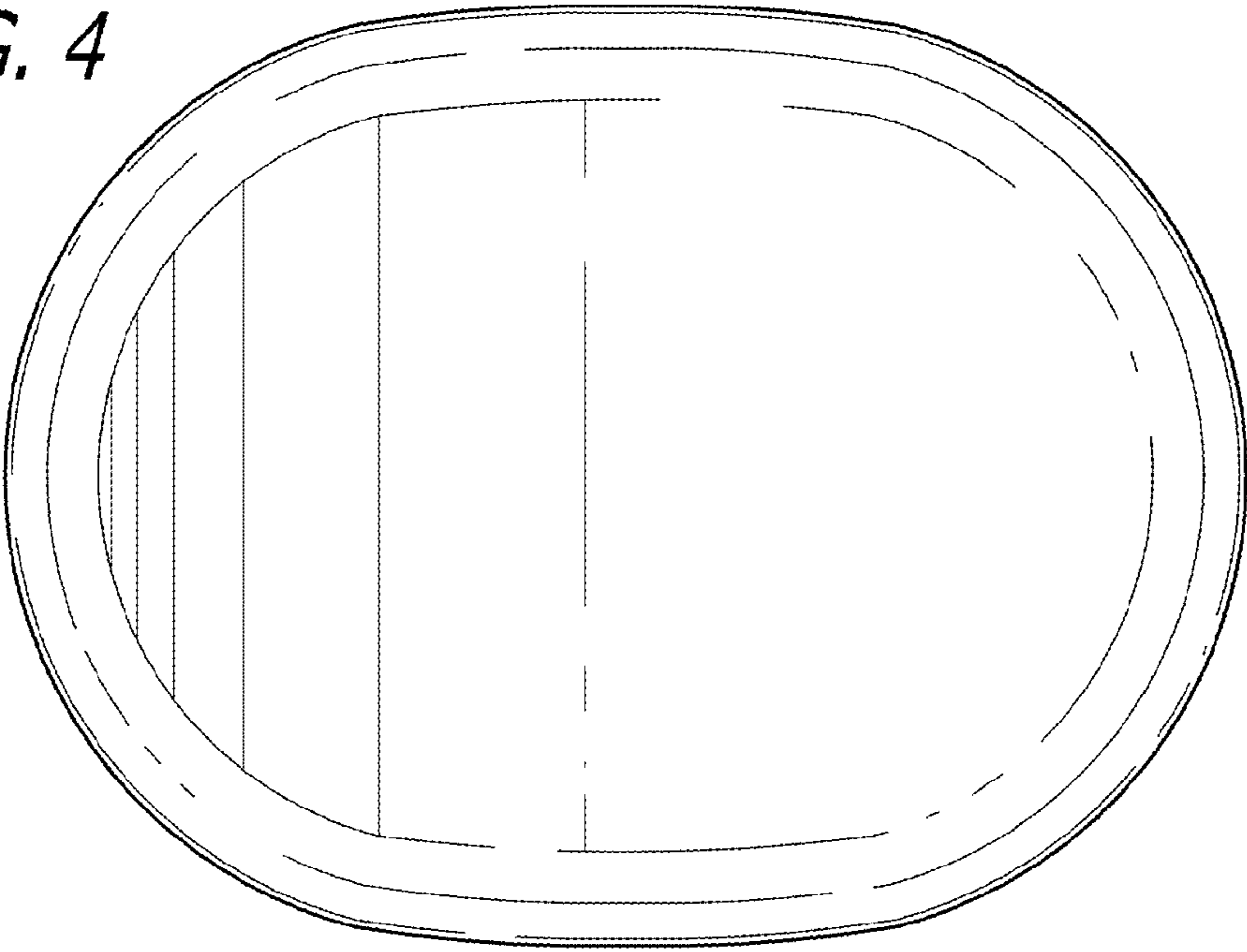
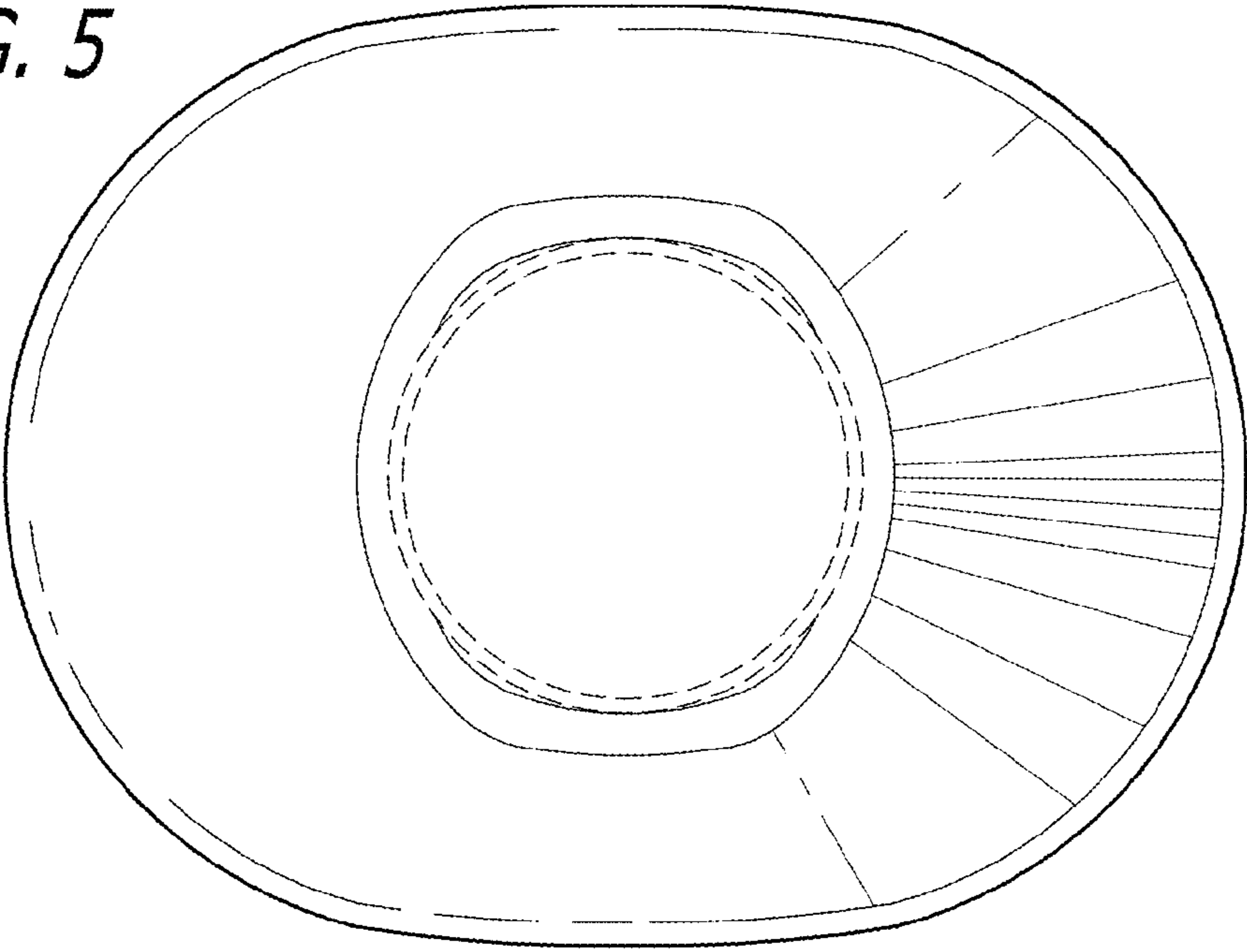


FIG. 5



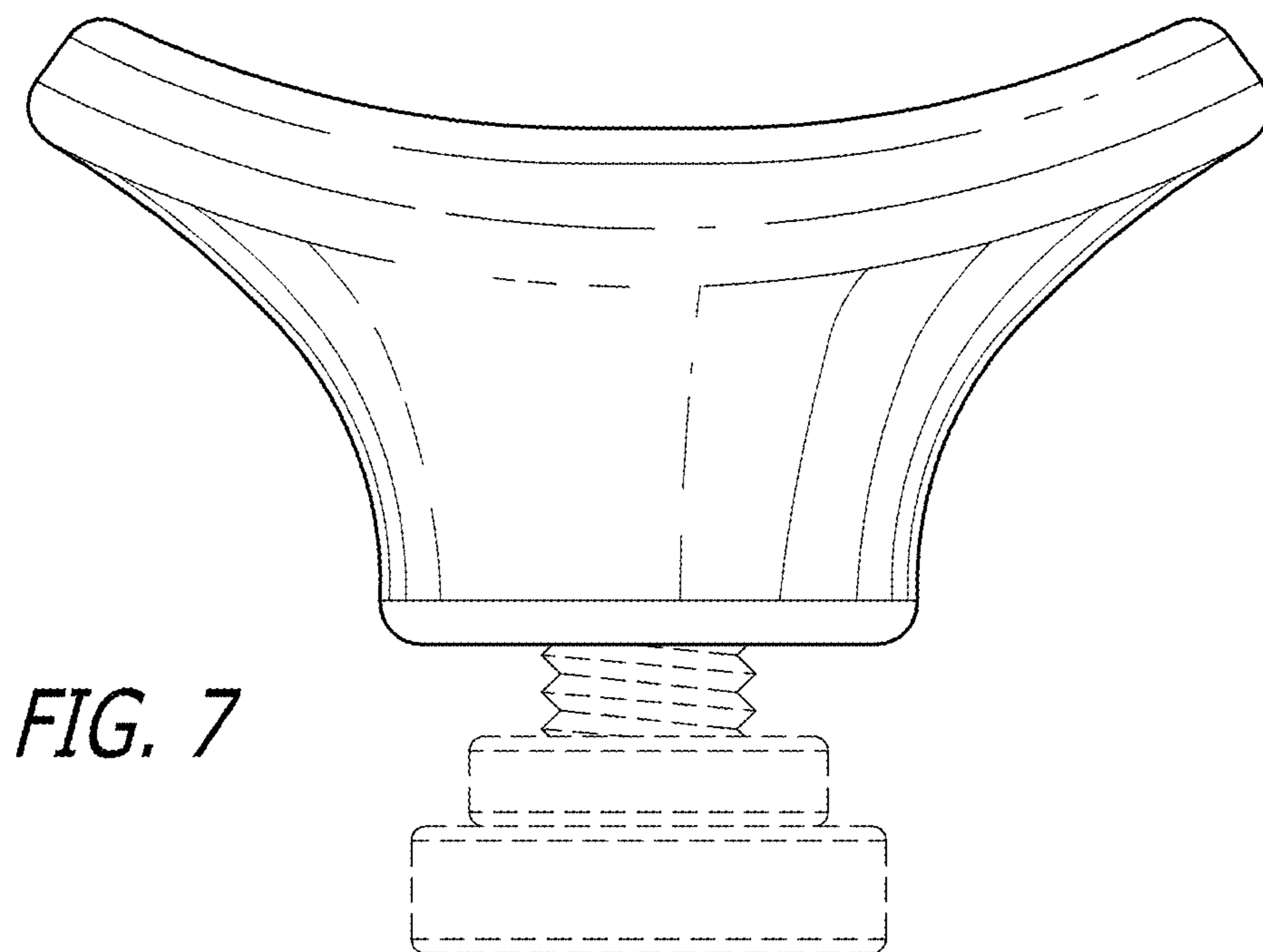
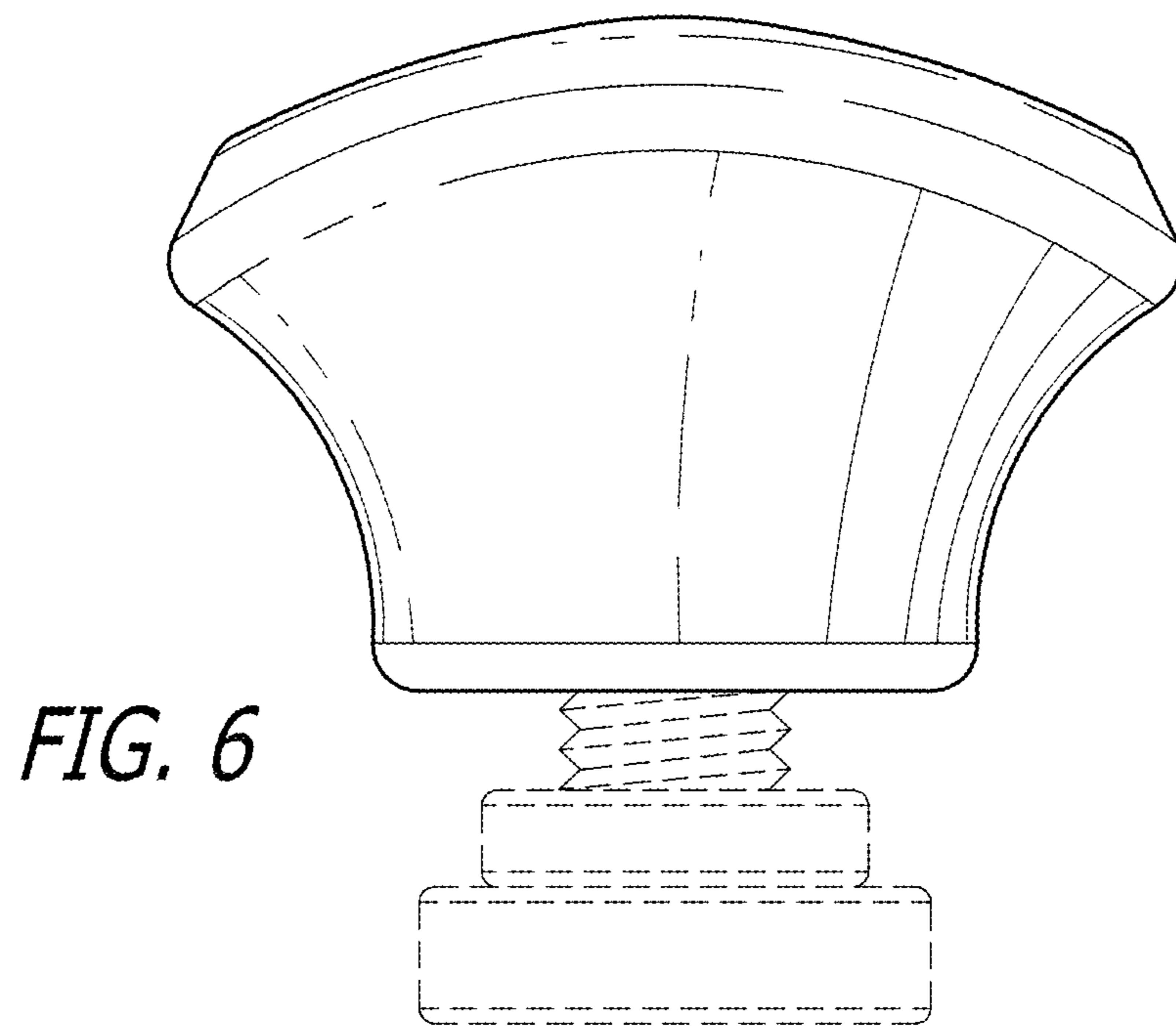


FIG. 8

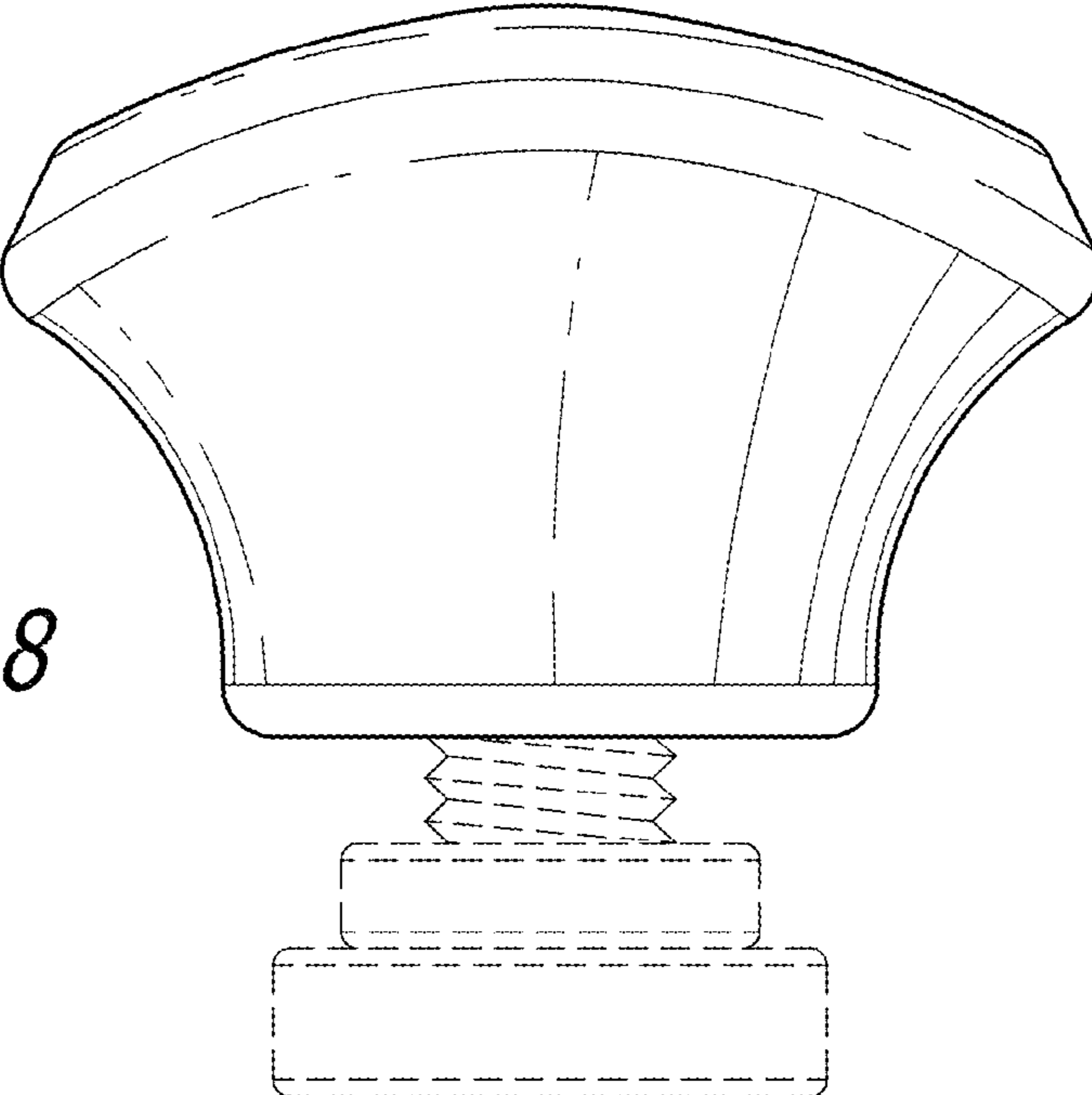


FIG. 9

