

US00D692270S

(12) **United States Design Patent**
Lapsker

(10) **Patent No.:** **US D692,270 S**

(45) **Date of Patent:** **** Oct. 29, 2013**

- (54) **LID**
- (75) Inventor: **Ron Lapsker**, Thornhill (CA)
- (73) Assignee: **NEWPRO Inc.**, St. Michael, Bridgetown (BB)
- (**) Term: **14 Years**
- (21) Appl. No.: **29/426,551**
- (22) Filed: **Jul. 6, 2012**
- (51) **LOC (9) Cl.** **07-02**
- (52) **U.S. Cl.**
USPC **D7/392.1; D9/447**
- (58) **Field of Classification Search**
USPC D7/391, 392, 392.1, 510, 511, 629, D7/900; D9/425, 434, 435, 438, 443, 444, D9/445, 447, 449, 451-454; 215/271, 318, 215/319, 354, 364; 220/253, 254.1, 269, 220/522, 712-714, 719, 780, 781
See application file for complete search history.

- D476,890 S * 7/2003 Hirose D9/440
- D509,432 S * 9/2005 Hierzer et al. D9/447
- D526,839 S * 8/2006 Boozer et al. D7/392
- 7,191,911 B2 * 3/2007 O'Neill 220/254.1
- D576,038 S * 9/2008 Mazurkiewicz et al. D9/449
- D583,670 S * 12/2008 Lamb et al. D9/454
- D609,046 S * 2/2010 Valderrama et al. D7/392.1
- D683,580 S * 6/2013 Rosenfeld D7/392
- 2004/0089662 A1 * 5/2004 Smith et al. 220/253
- 2005/0115977 A1 * 6/2005 Dibdin et al. 220/714

* cited by examiner

Primary Examiner — Susan E Krakower
(74) *Attorney, Agent, or Firm* — Hodgson Russ LLP

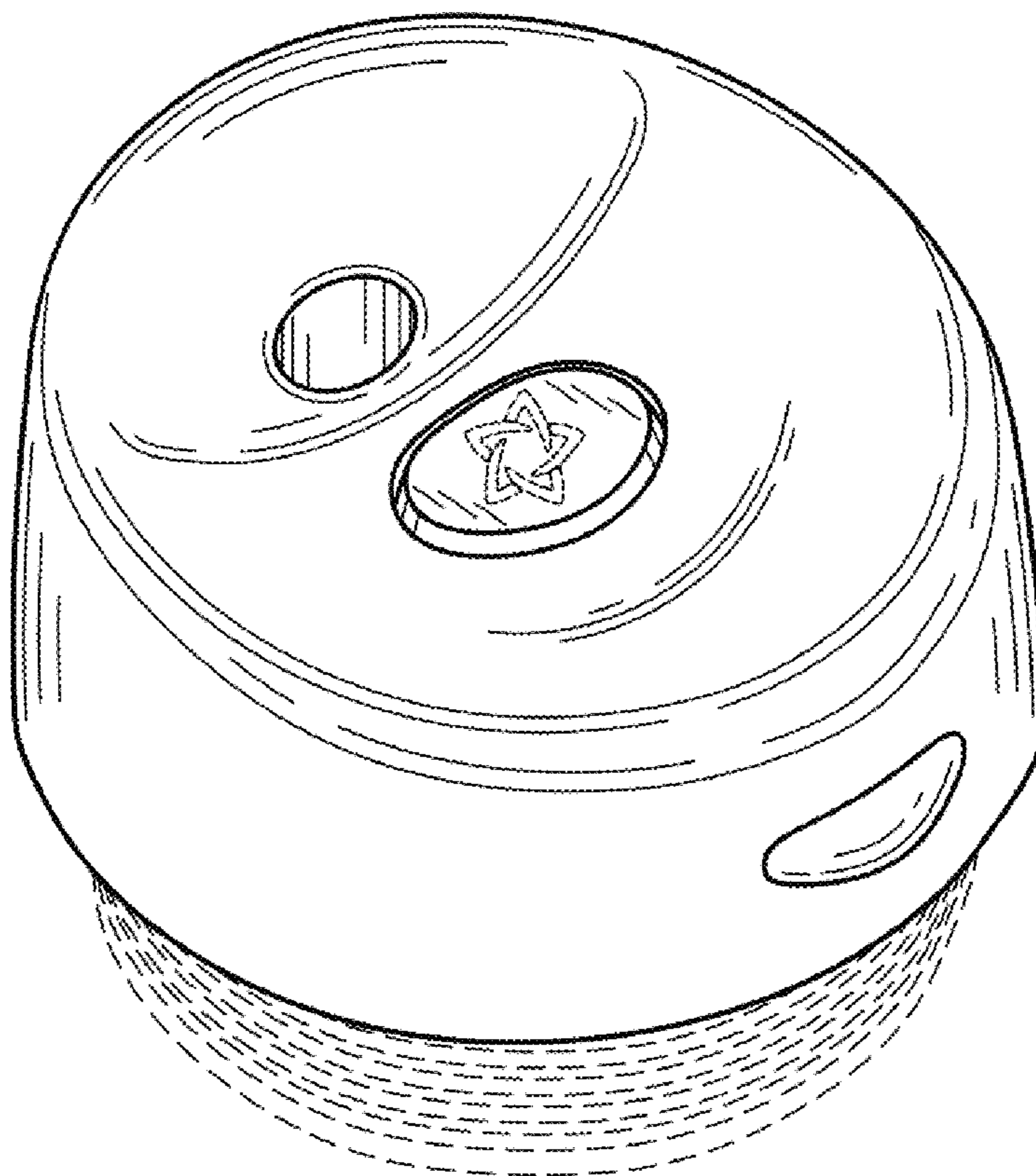
(57) **CLAIM**
The ornamental design for a lid, as shown and described.

DESCRIPTION

FIG. 1 is a top perspective view of a lid showing my new design;
FIG. 2 is a top view thereof;
FIG. 3 is a front view thereof;
FIG. 4 is a left side view thereof, the right side view being mirror symmetrical;
FIG. 5 is a rear view thereof; and,
FIG. 6 is a bottom view thereof.
The broken lines illustrate portions of the lid which form no part of the claimed design.

1 Claim, 2 Drawing Sheets

- (56) **References Cited**
U.S. PATENT DOCUMENTS
D272,323 S * 1/1984 Bainton D9/438
D275,655 S * 9/1984 Bainton D9/438
D332,403 S * 1/1993 Johnson, III D9/451



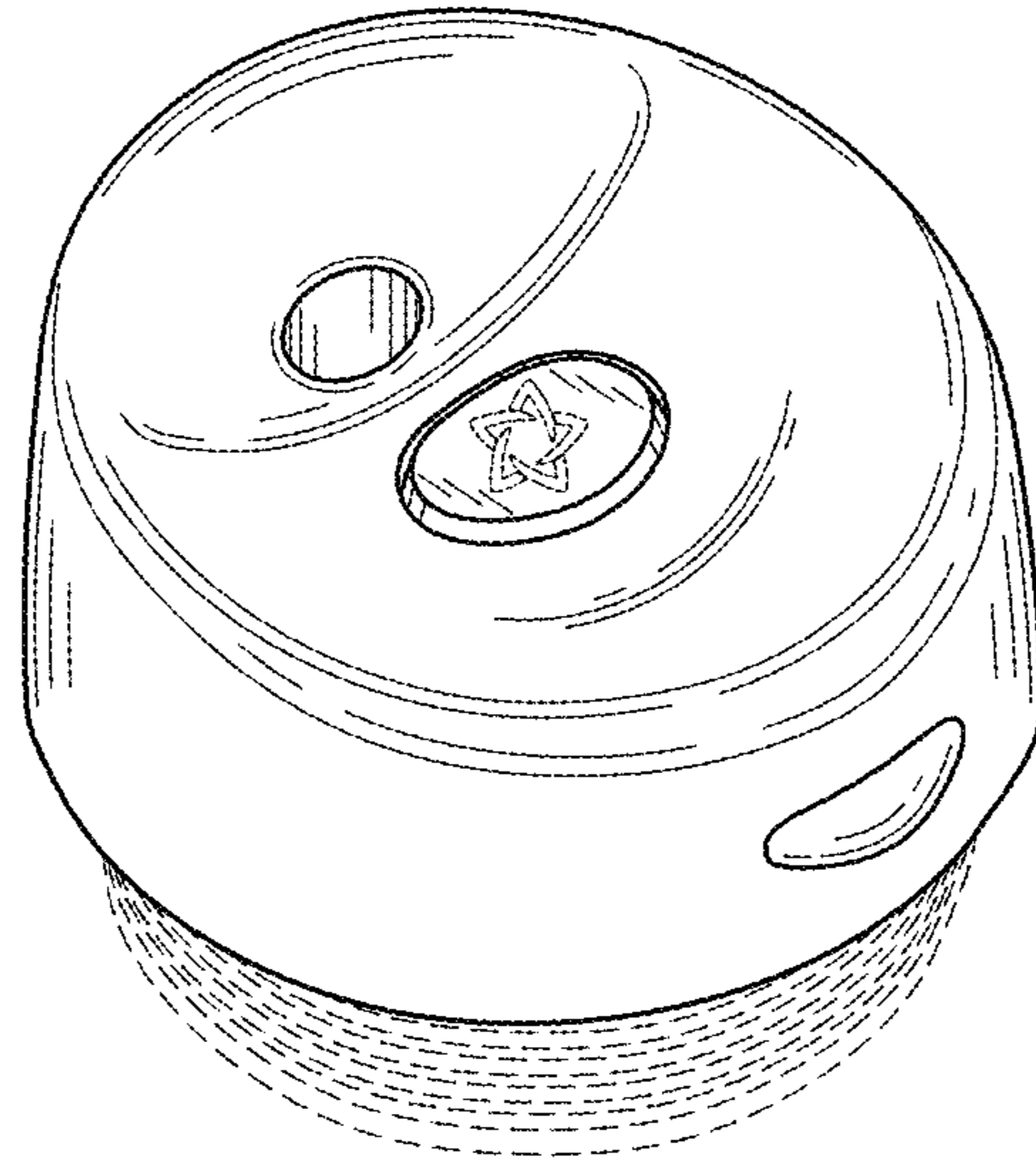


FIG. 1

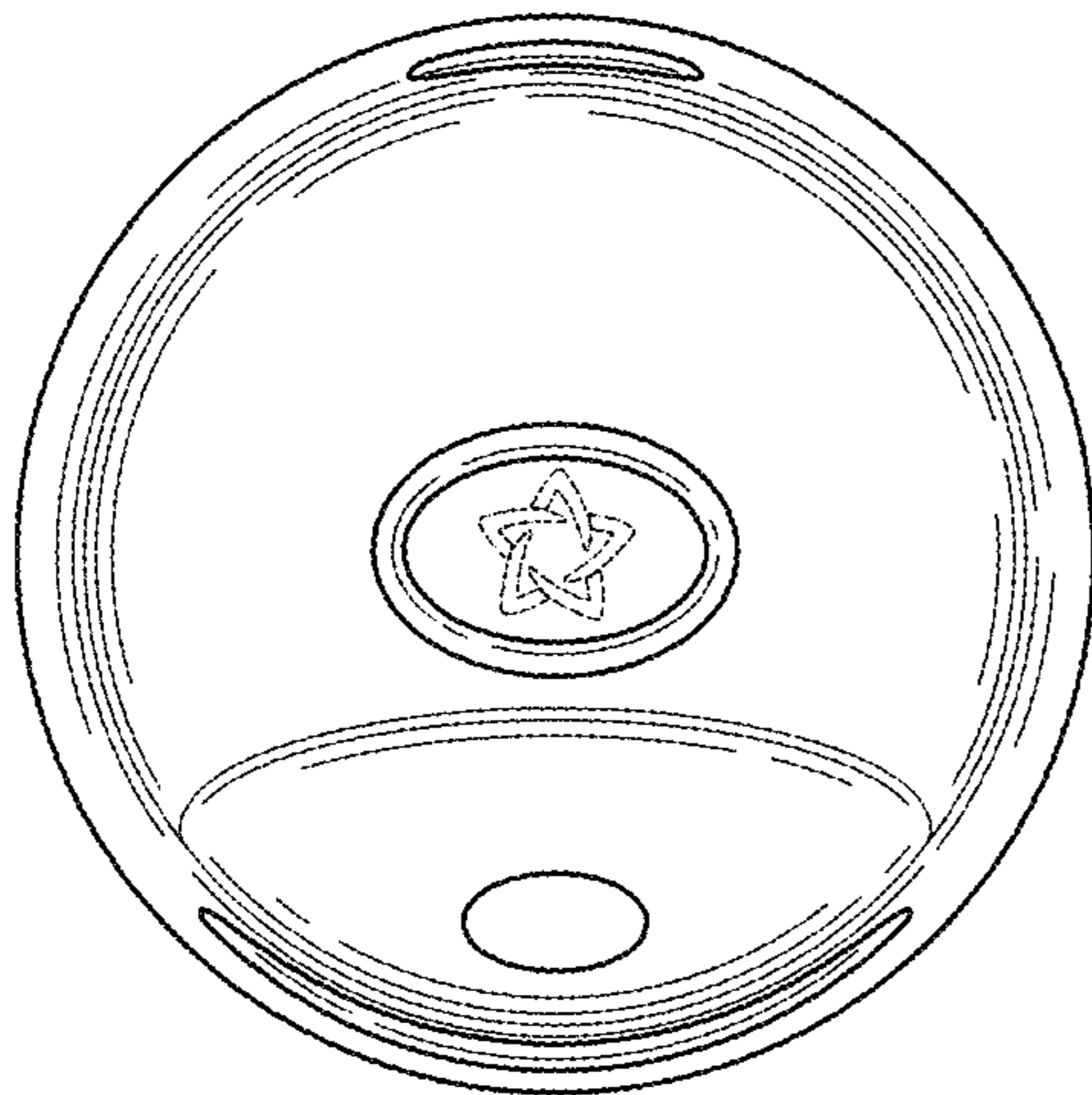


FIG. 2

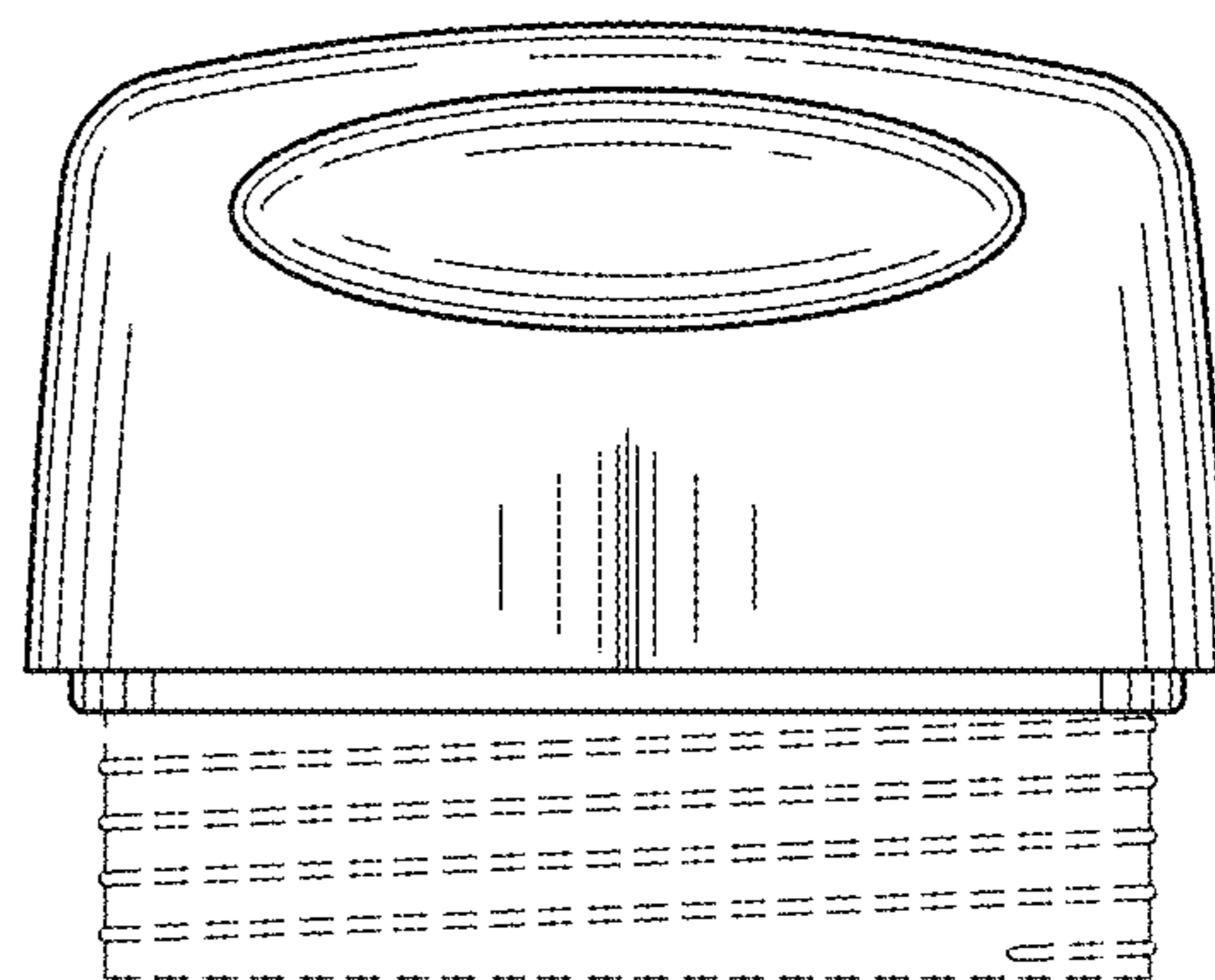


FIG. 3

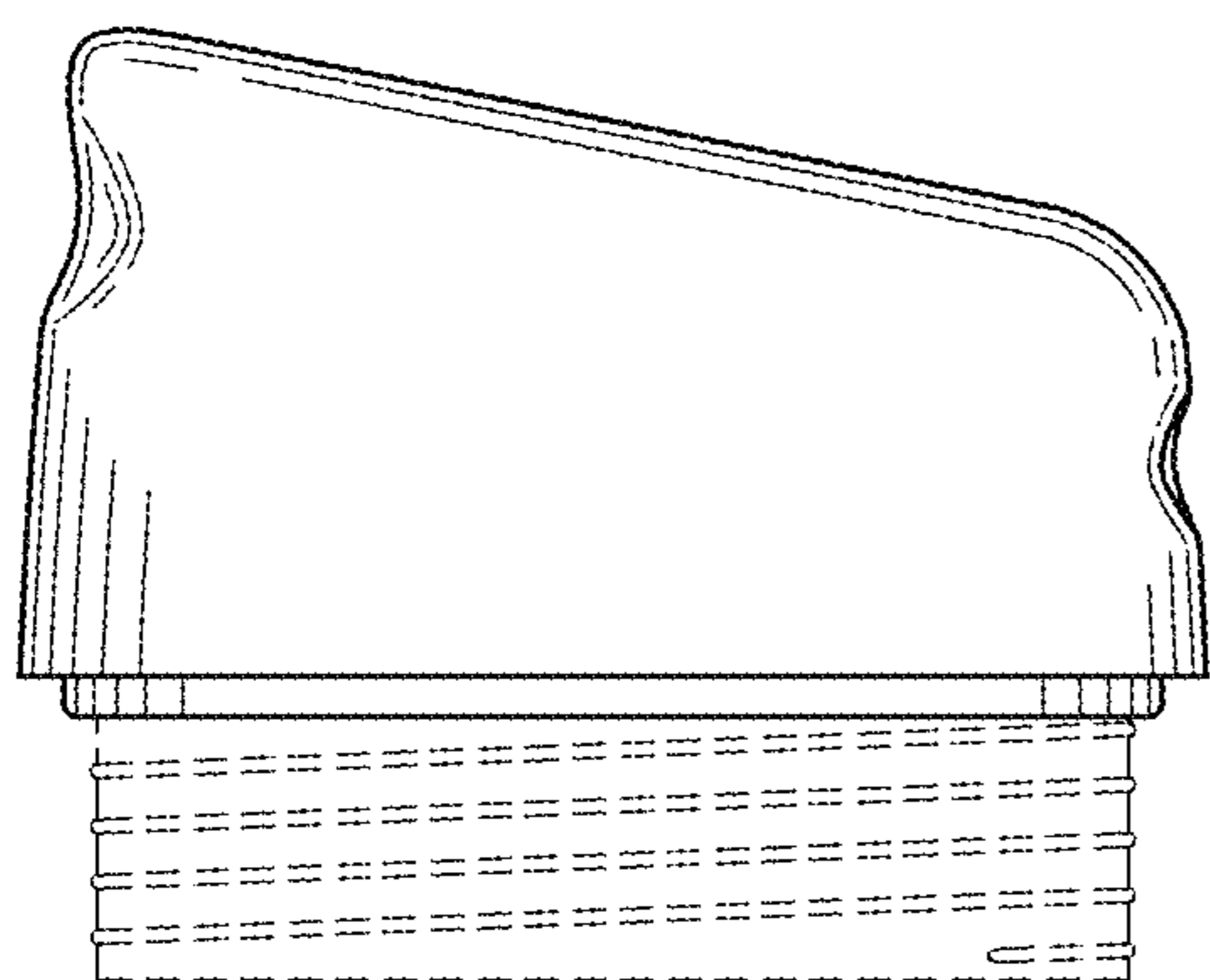


FIG. 4

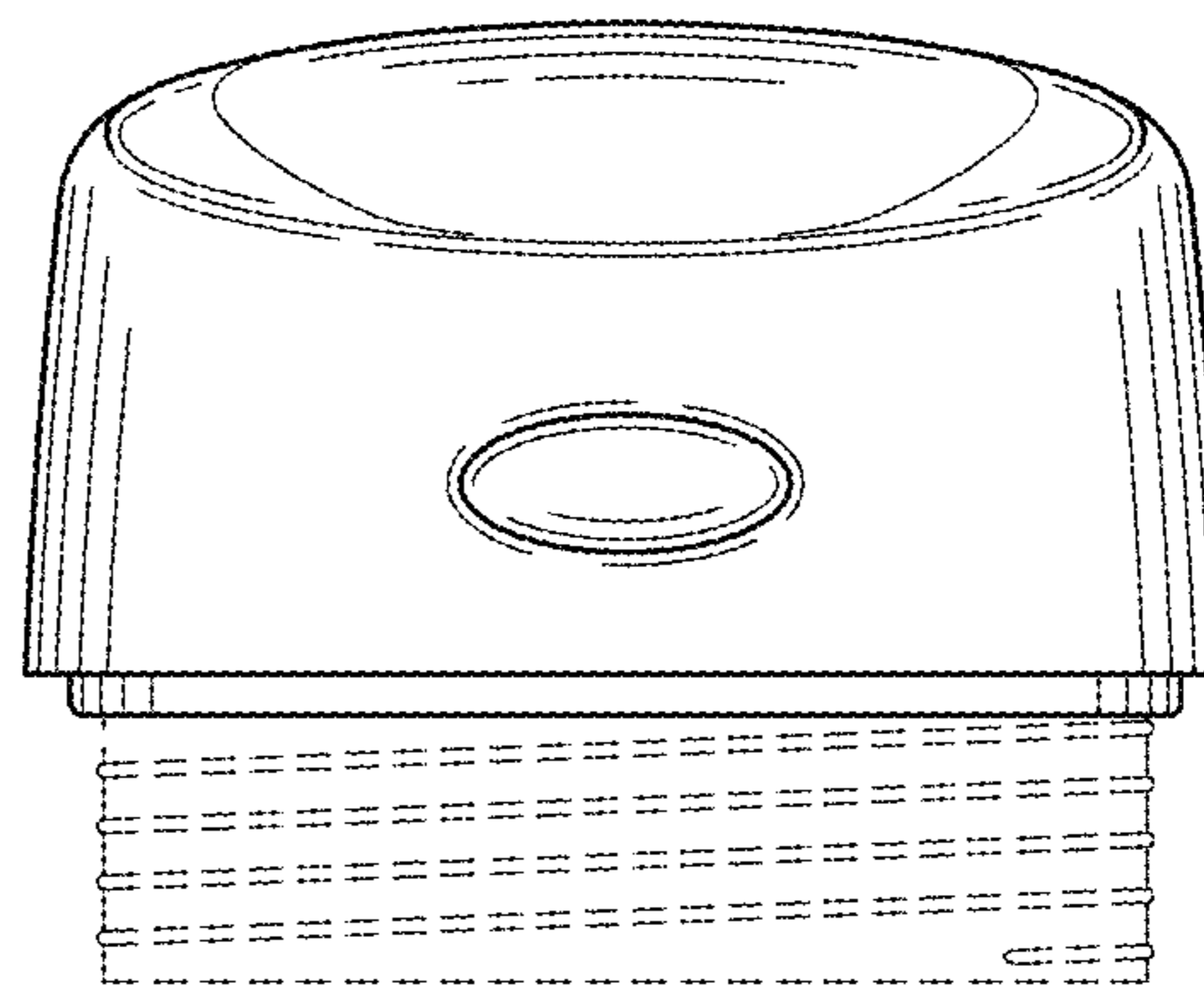


FIG. 5

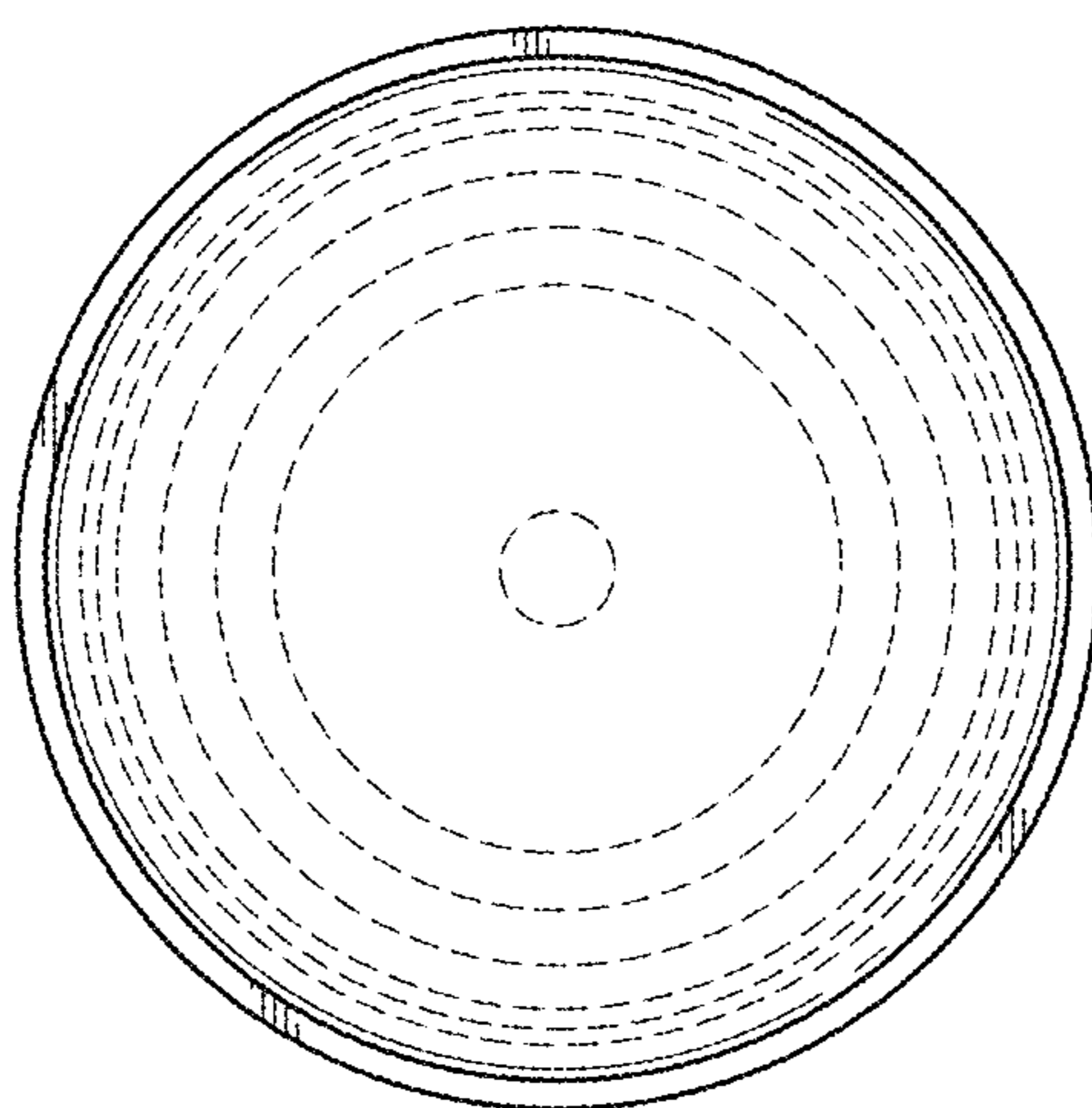


FIG. 6