



(12) **United States Design Patent**
Lion et al.

(10) **Patent No.:** **US D692,268 S**
(45) **Date of Patent:** **** Oct. 29, 2013**

(54) **EGG COOKER**

(75) Inventors: **Mathieu Lion**, Paris (FR); **Marie Buet**, Paris (FR)

(73) Assignee: **Mastrad, S.A.**, Paris (FR)

(**) Term: **14 Years**

(21) Appl. No.: **29/427,125**

(22) Filed: **Jul. 13, 2012**

(51) **LOC (9) Cl.** **07-02**

(52) **U.S. Cl.**
USPC **D7/357; D7/354**

(58) **Field of Classification Search**

USPC D3/270; D7/307, 323, 329-339, D7/346-347, 350.1-350.4, 353-367, 391, D7/393, 395, 402, 406, 409, 538, 542; D9/643; D10/40; D14/216; D21/525, D21/684; D23/364-367; D24/216; D26/4, D26/37, 40, 47, 94, 104; 99/324-325, 99/331-332, 337-343, 369, 400-418, 422, 99/425, 444, 451, 483; 126/37 R, 261, 126/374.1, 378.1; 206/501-505, 507-508, 206/581; 219/400, 405, 429-442, 620-624, 219/725, 730-735; 220/203.05, 203.07, 220/203.09, 298, 315-316, 573.1-573.5, 220/912; 426/438, 441

See application file for complete search history.

(56) **References Cited**

U.S. PATENT DOCUMENTS

D276,705 S * 12/1984 Oliveri D10/40
D370,704 S * 6/1996 Oberhoff D21/684

(Continued)

Primary Examiner — Ricky Pham

(74) *Attorney, Agent, or Firm* — Novak Druce Connolly Bove + Quigg LLP

(57) **CLAIM**

The ornamental design for an egg cooker, as shown and described.

DESCRIPTION

FIG. 1 is a perspective view of the egg cooker;

FIG. 2 is an exploded perspective view of the egg cooker showing the top and bottom halves;

FIG. 3 is a top plan view of the egg cooker of FIG. 1;

FIG. 4 is a bottom plan view of the egg cooker of FIG. 1;

FIG. 5 is a front side view of the egg cooker of FIG. 1, with the rear side view being identical;

FIG. 6 is a right side view of the egg cooker of FIG. 1, with the left side view being identical;

FIG. 7 is an inverted perspective view of the top half of the egg cooker of FIG. 1; shown separately for clarity and completeness of disclosure;

FIG. 8 is a top plan view of the top half of the egg cooker of FIG. 7;

FIG. 9 is a bottom plan view of the top half of the egg cooker of FIG. 7;

FIG. 10 is a front side view of the top half of the egg cooker of FIG. 7, with the rear side view being identical;

FIG. 11 is a right side view of the top half of the egg cooker of FIG. 7, with the left side being identical;

FIG. 12 is a cross-sectional view along 12-12 of FIG. 11;

FIG. 13 is a perspective view of the bottom half of the egg cooker of FIG. 1; shown separately for clarity and completeness of disclosure;

FIG. 14 is a top plan view of the bottom half of the egg cooker of FIG. 13;

FIG. 15 is a bottom plan view of the bottom half of the egg cooker of FIG. 13;

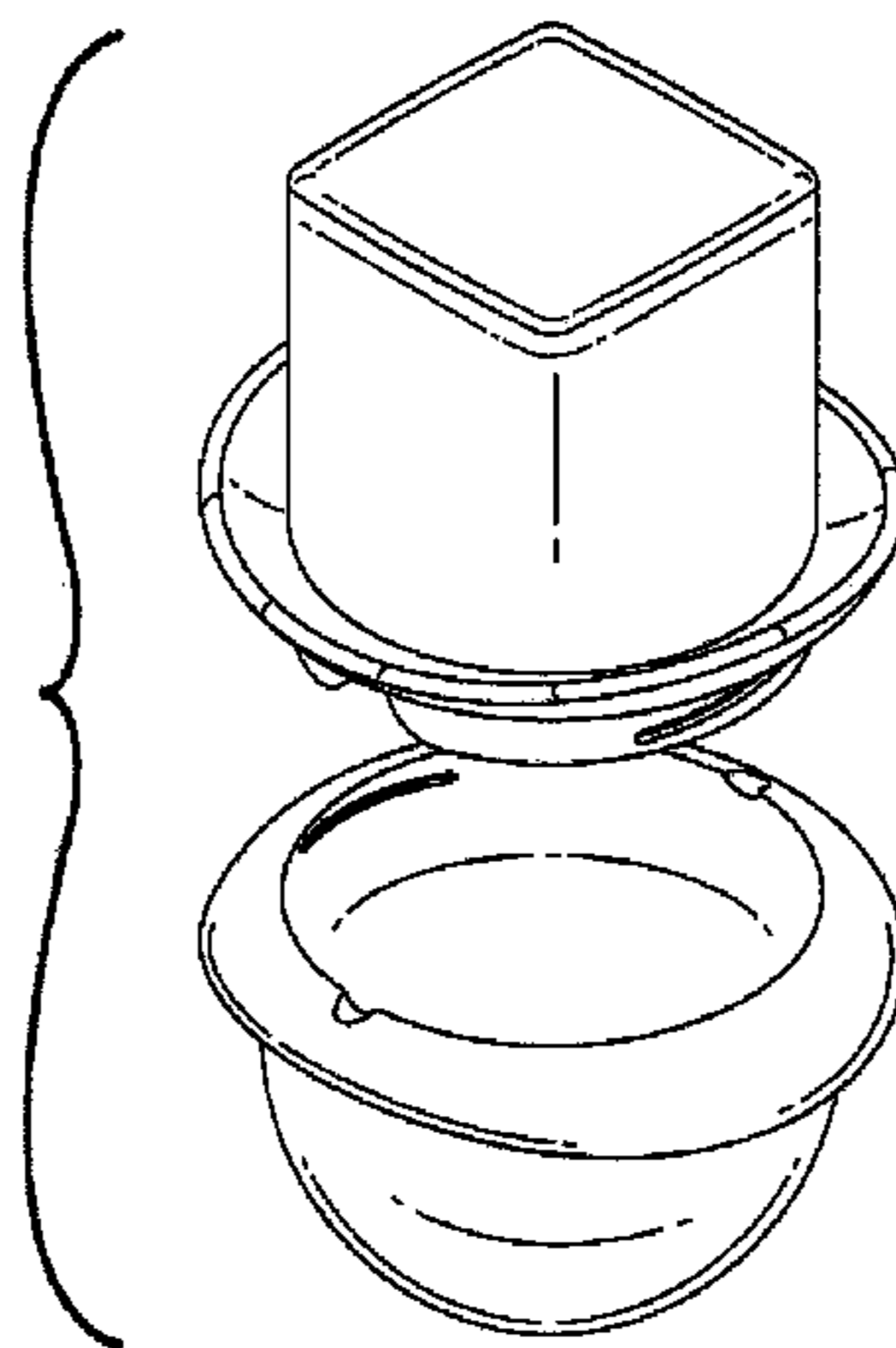
FIG. 16 is a front side view of the bottom half of the egg cooker of FIG. 13, with the rear side being identical;

FIG. 17 is a cross-sectional view along 17-17 of FIG. 16;

FIG. 18 is a right side view of the bottom half of the egg cooker of FIG. 13, with the left side being identical; and,

FIG. 19 is a cross-sectional view along 19-19 of FIG. 6.

1 Claim, 15 Drawing Sheets



(56)

References Cited

U.S. PATENT DOCUMENTS

D411,322 S * 6/1999 Suzuki D26/37
D421,216 S * 2/2000 Abrams et al. D9/643
D434,978 S * 12/2000 Thill D3/270
D441,596 S * 5/2001 Fernandez D7/354

D460,168 S * 7/2002 Chen D23/364
D478,681 S * 8/2003 Newcomb D26/4
D567,014 S * 4/2008 Silver et al. D7/354
D644,207 S * 8/2011 Odell D14/216
D654,759 S * 2/2012 Browning et al. D7/354
D660,451 S * 5/2012 Matsuura D24/216
2007/0108092 A1 * 5/2007 Minuto et al. 206/581

* cited by examiner

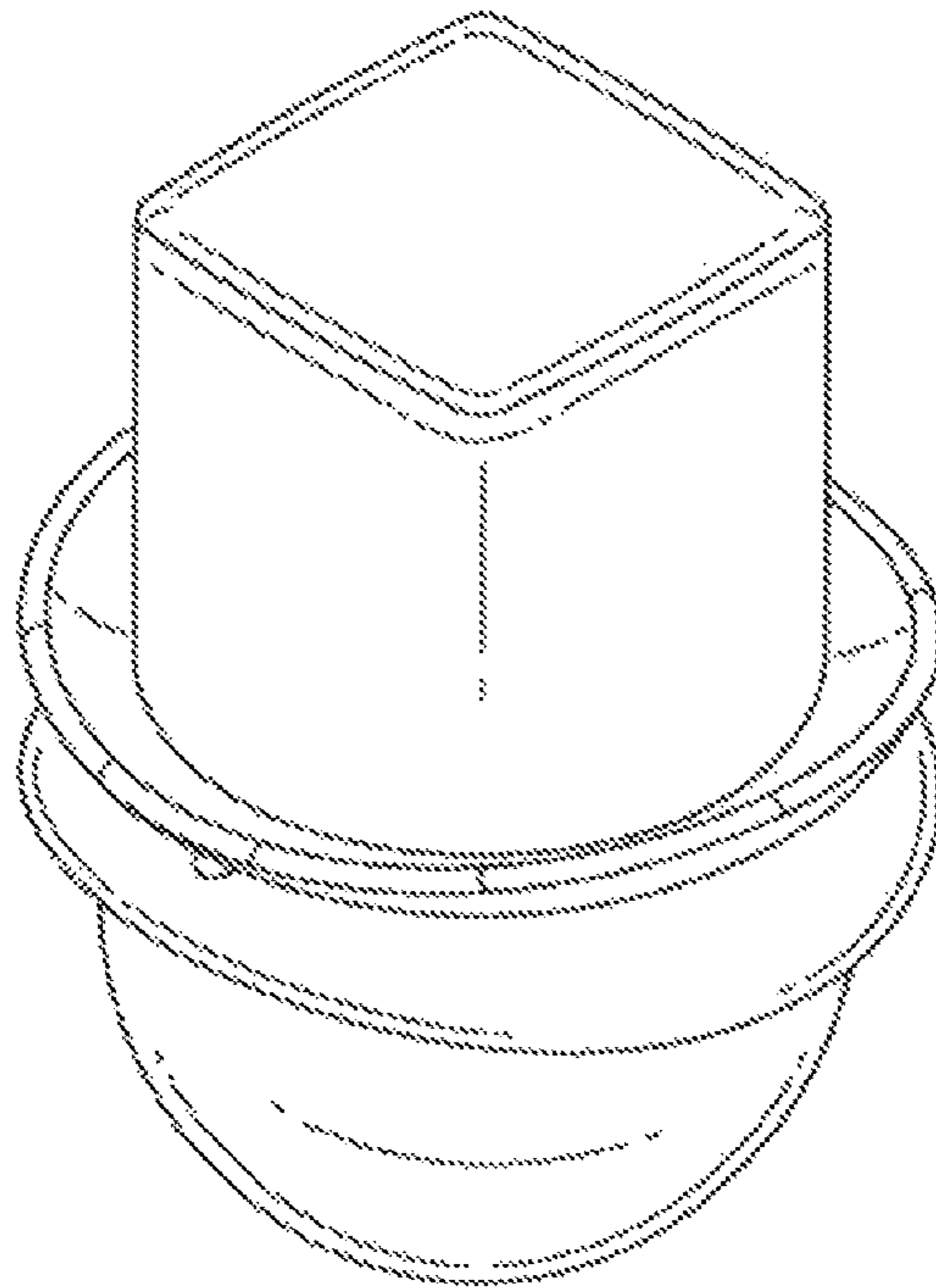


Fig. 1

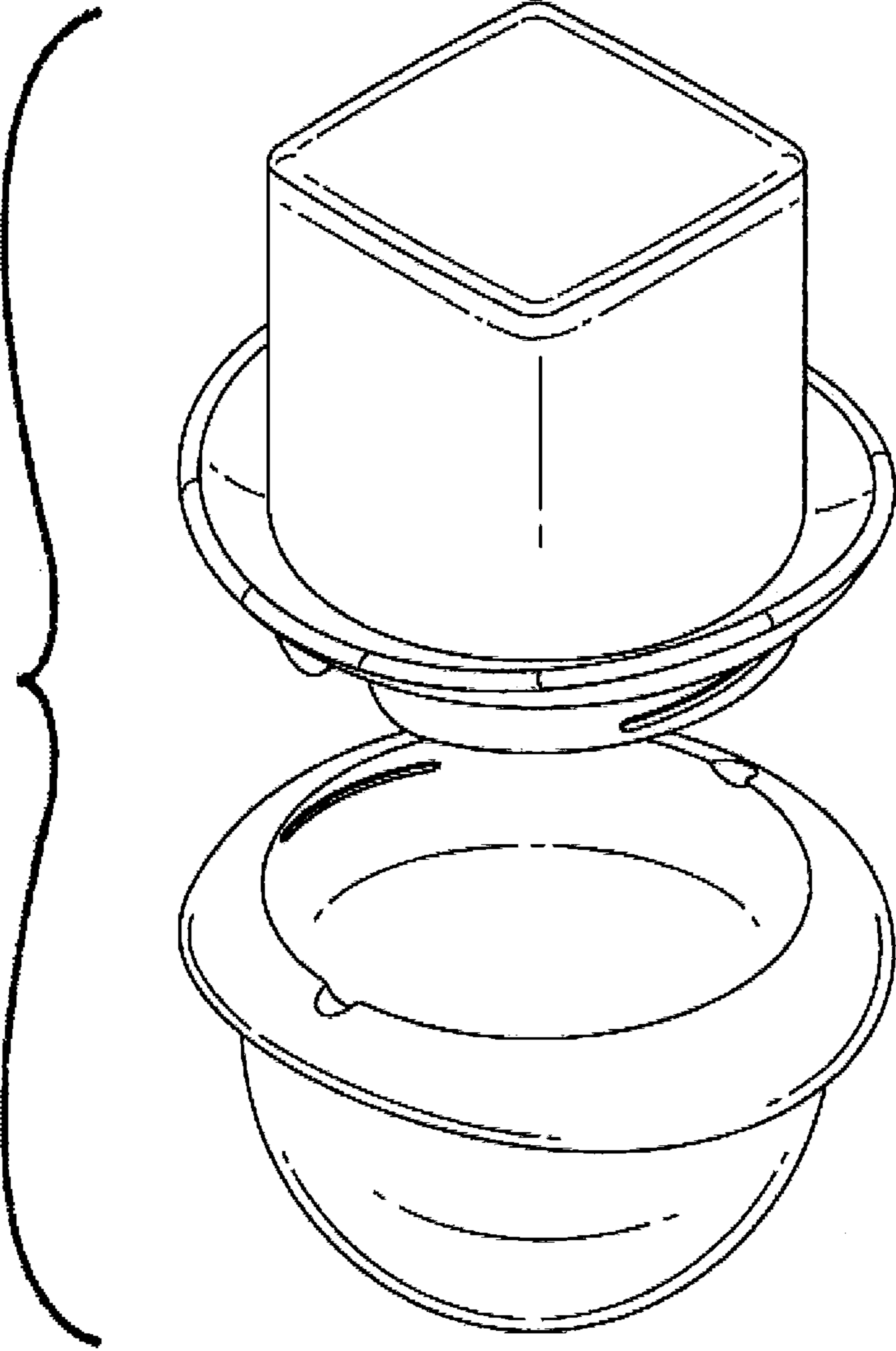


Fig. 2

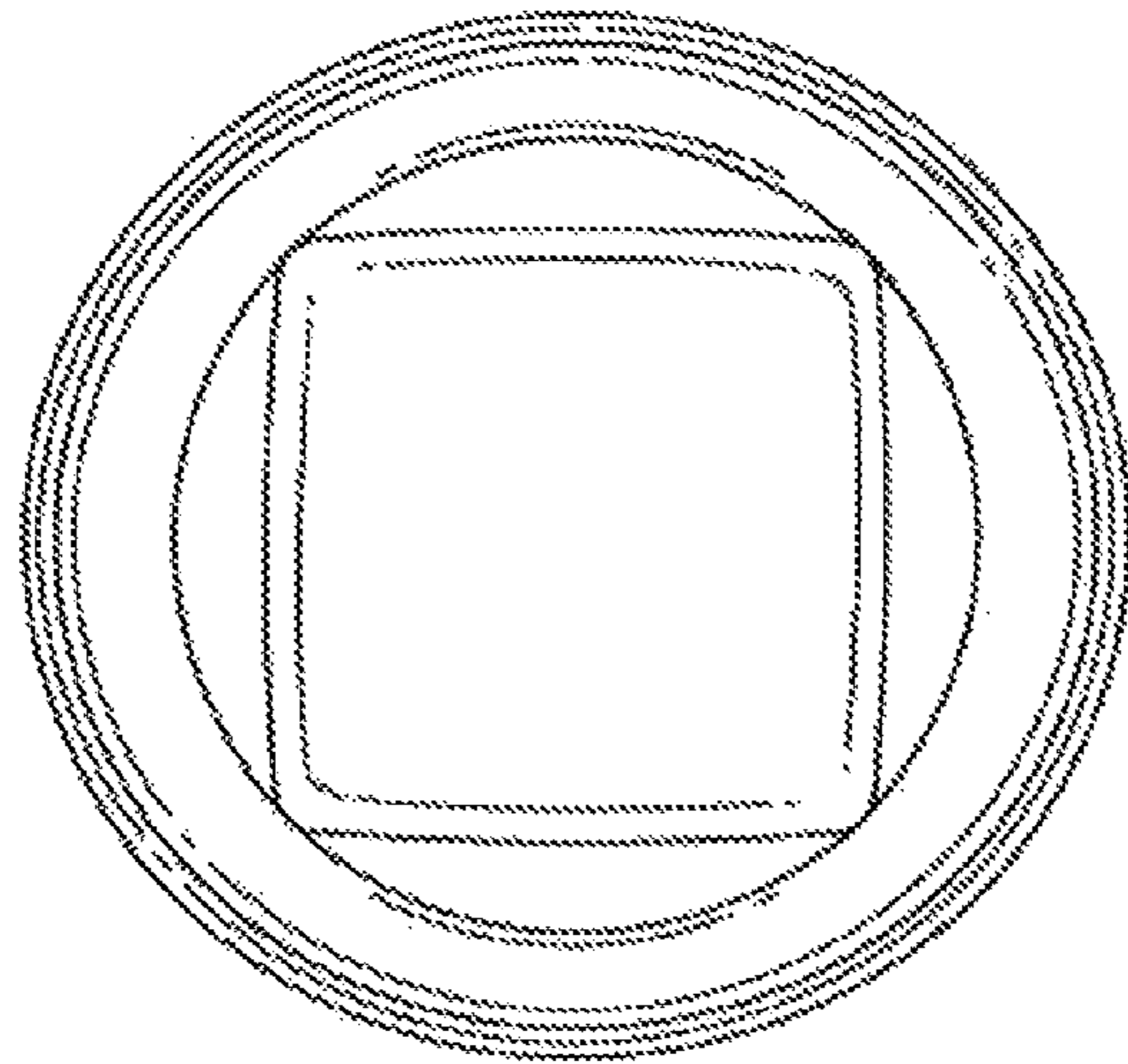


Fig. 3

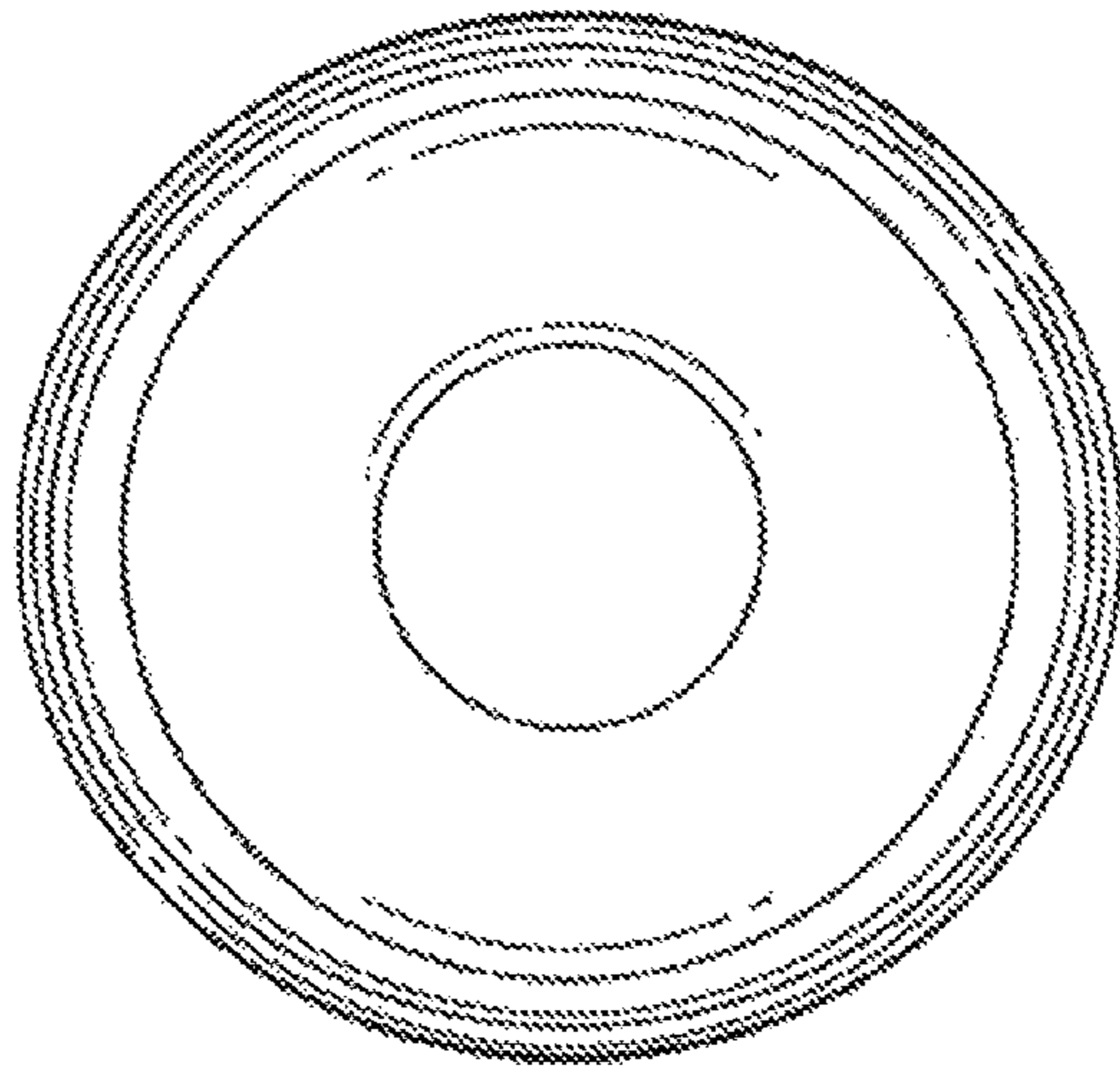


Fig. 4

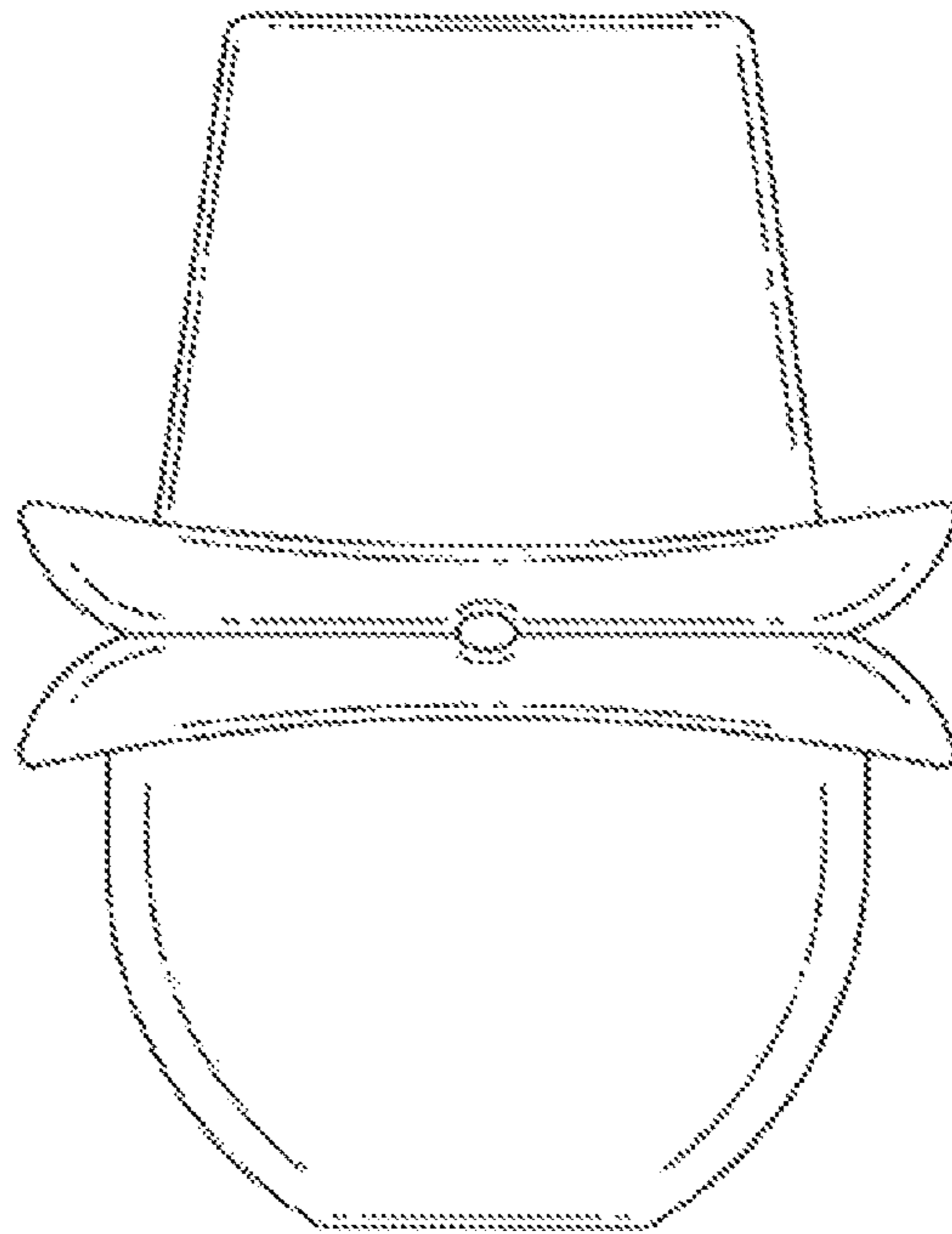


Fig. 5

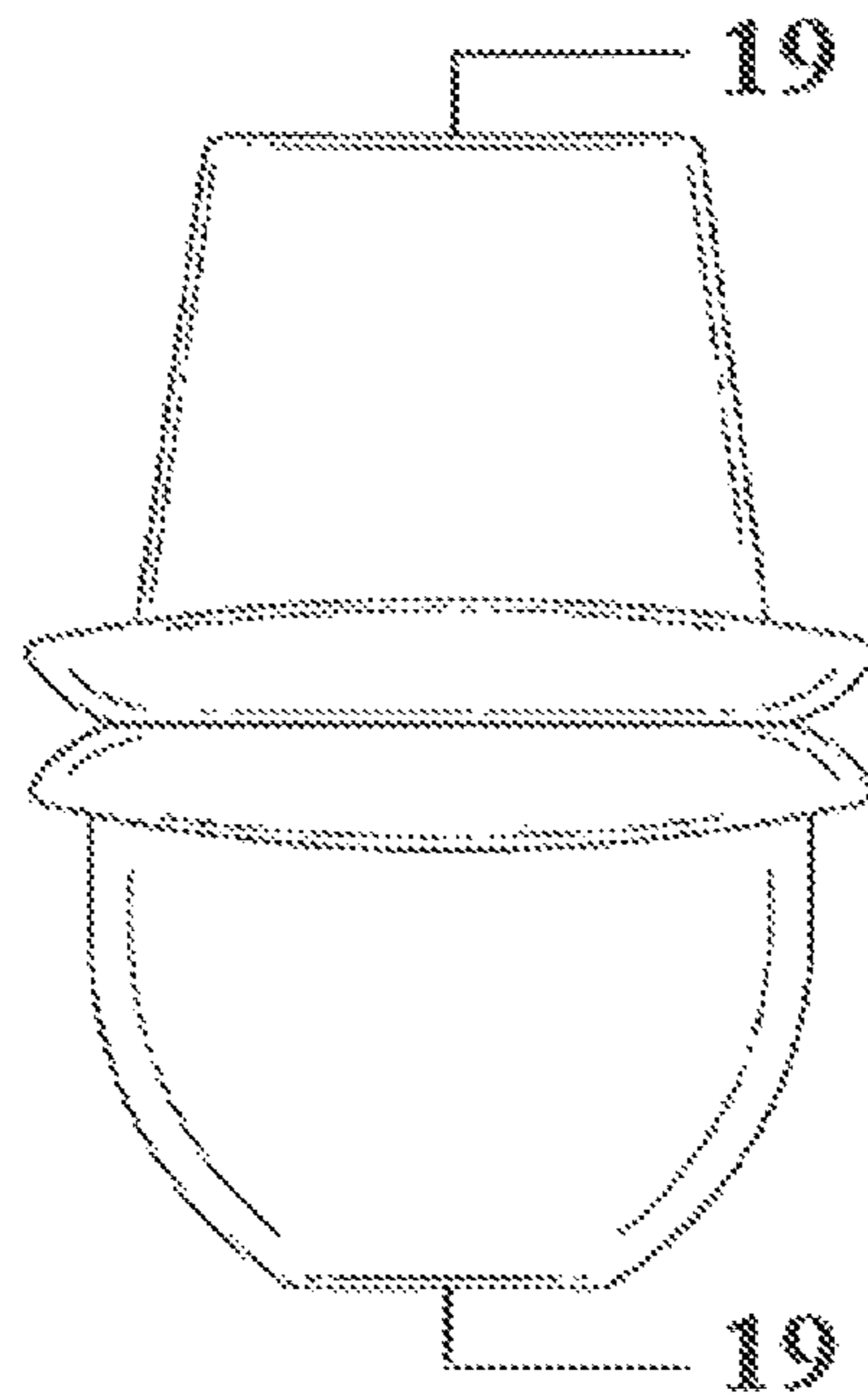


Fig. 6

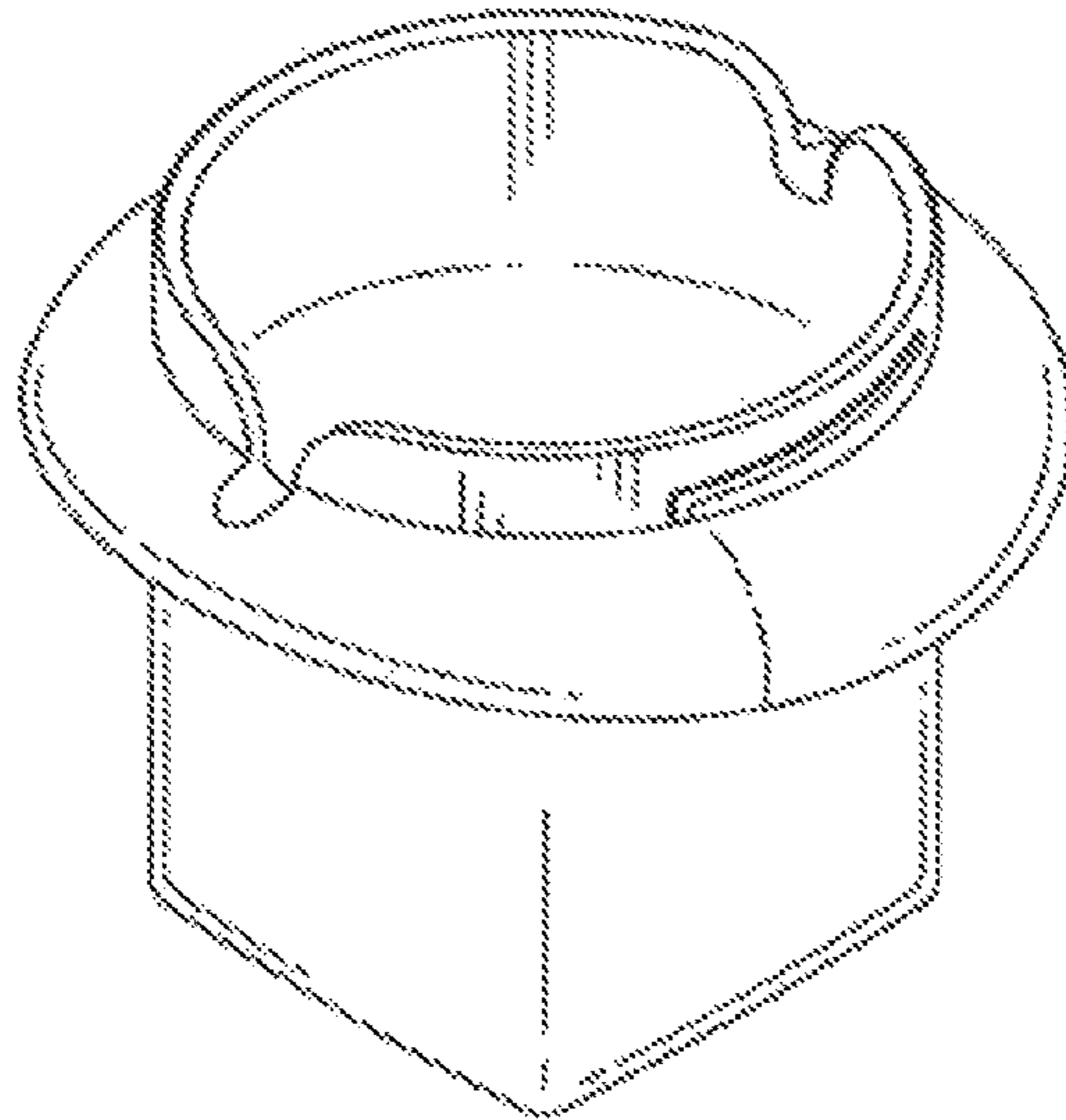


Fig. 7

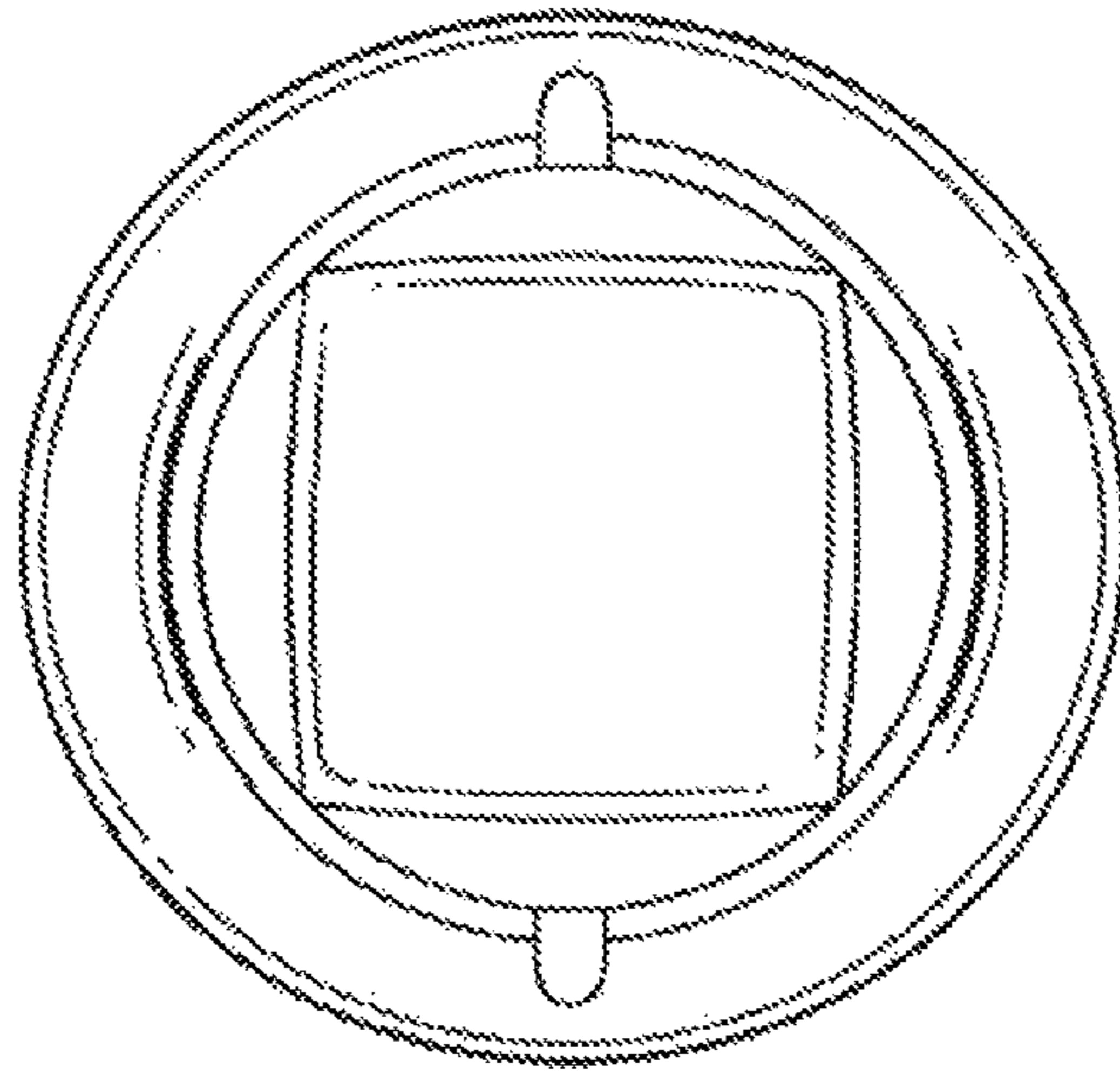


Fig. 8

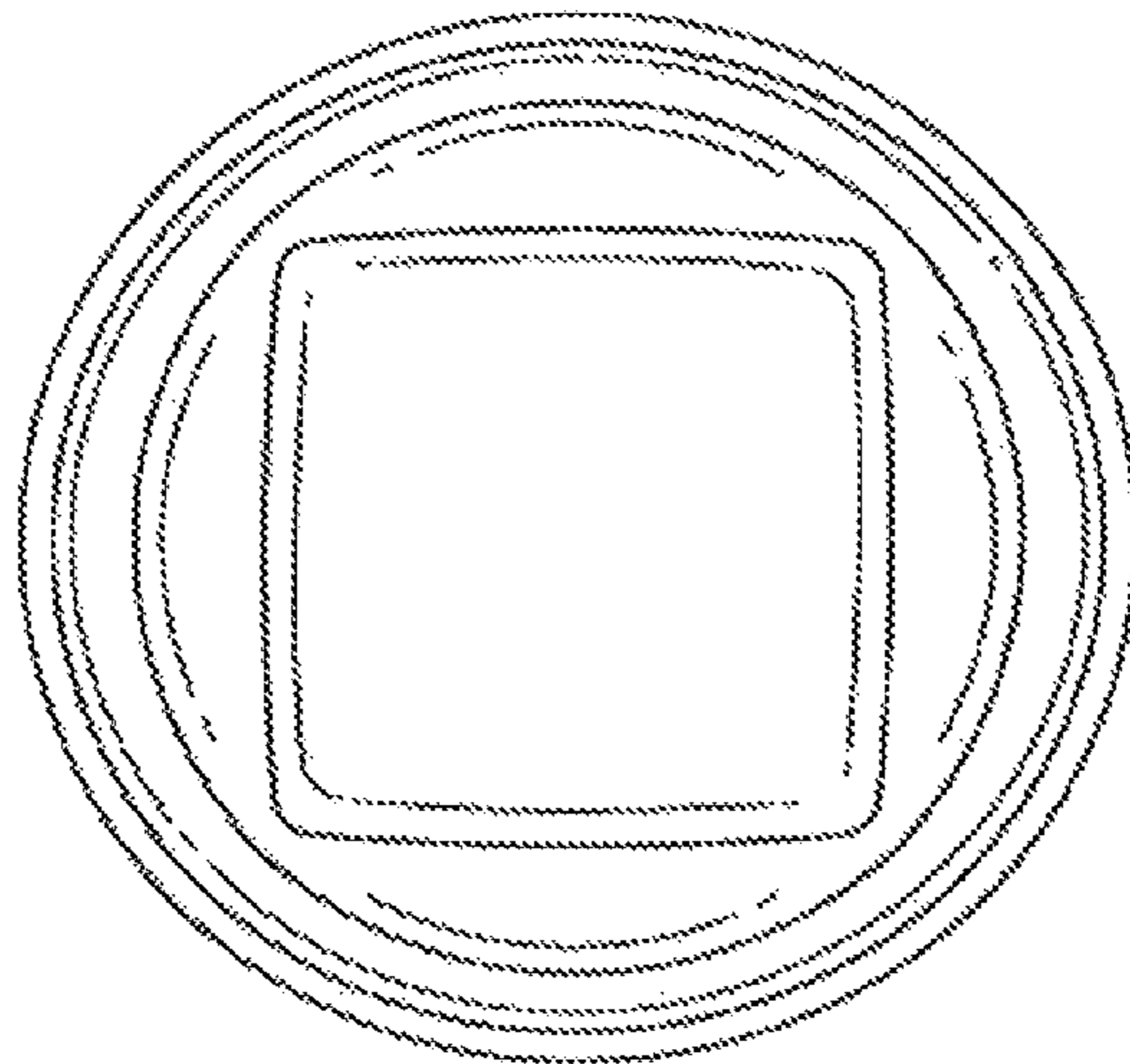


Fig. 9

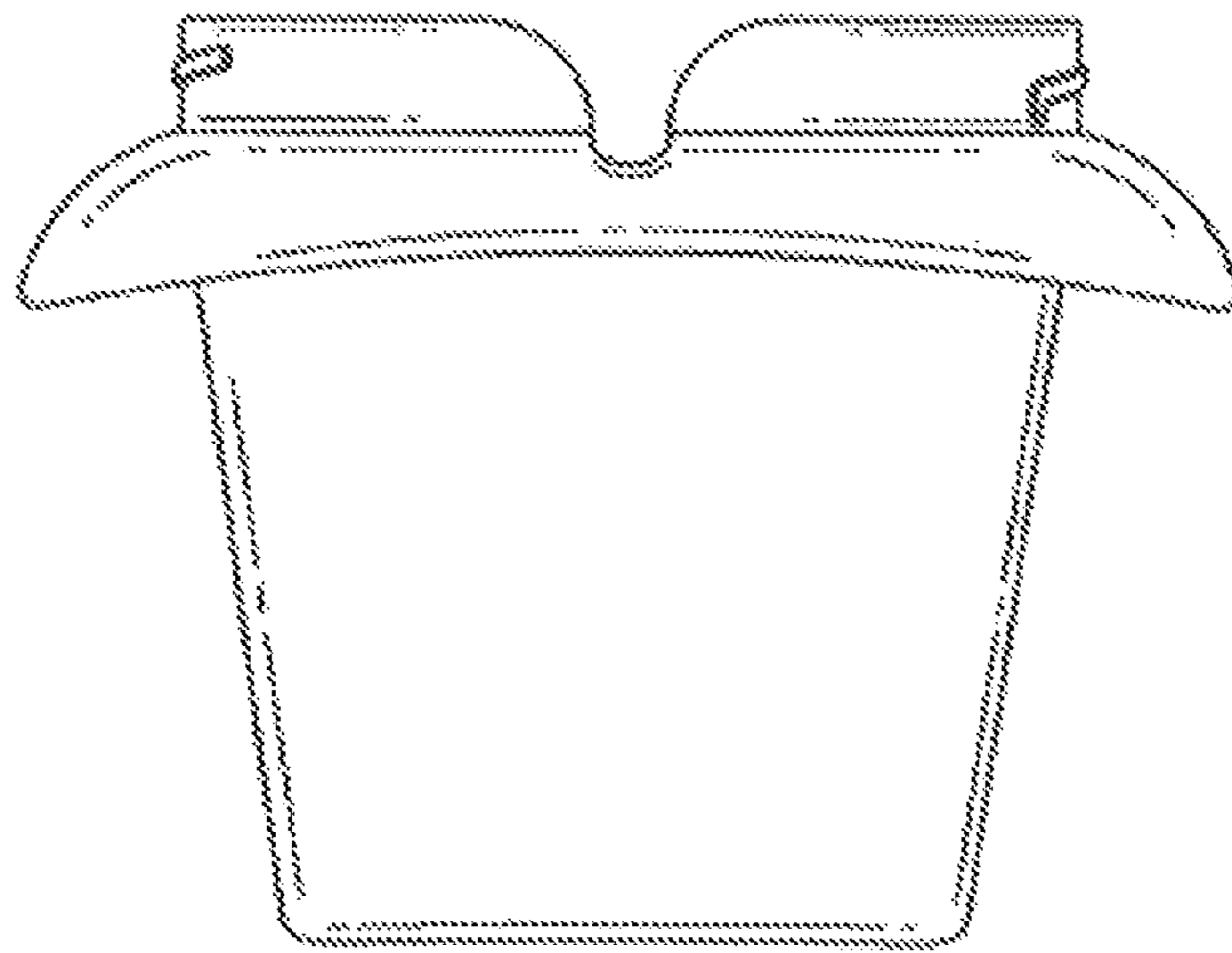


Fig. 10

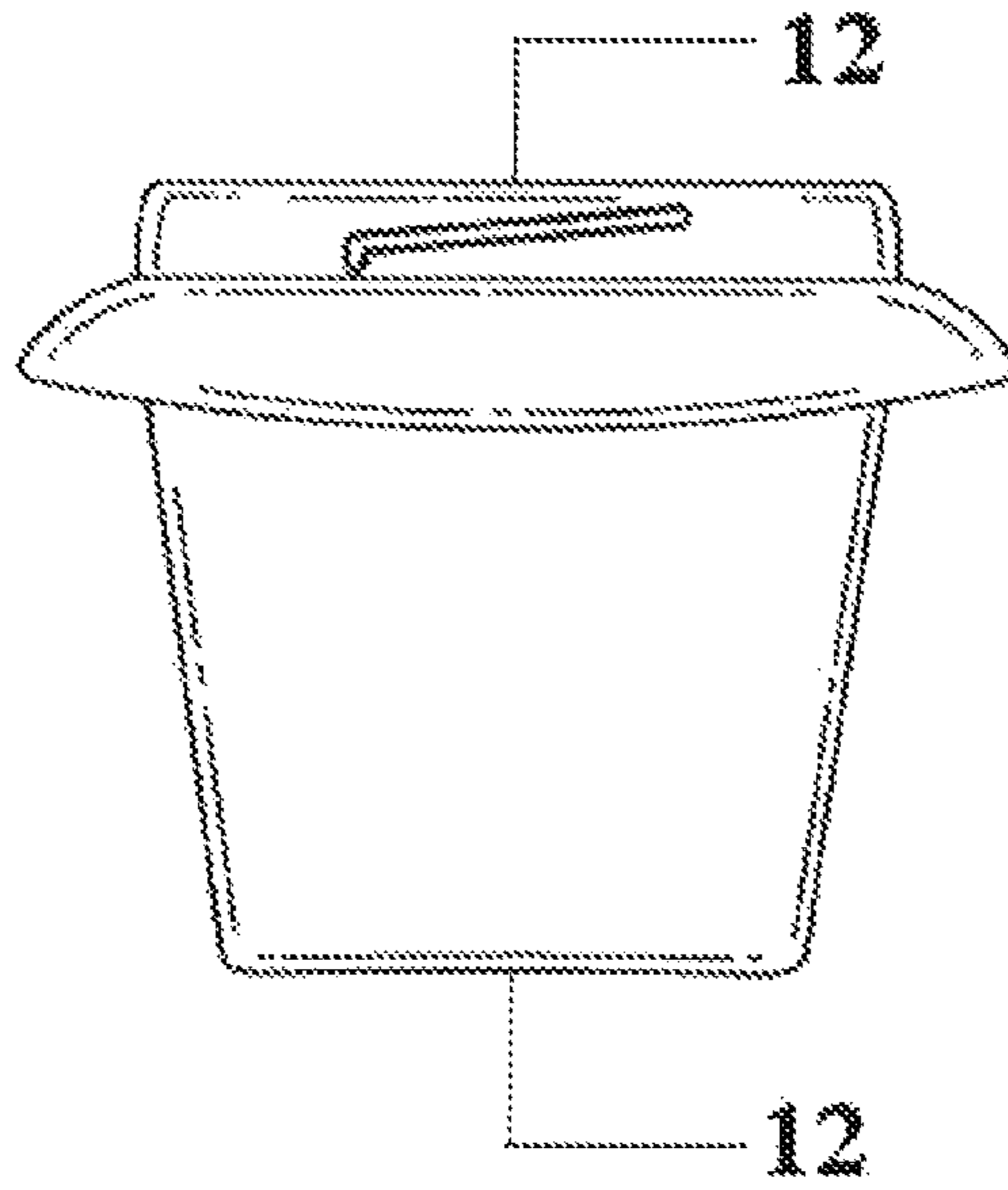


Fig. 11

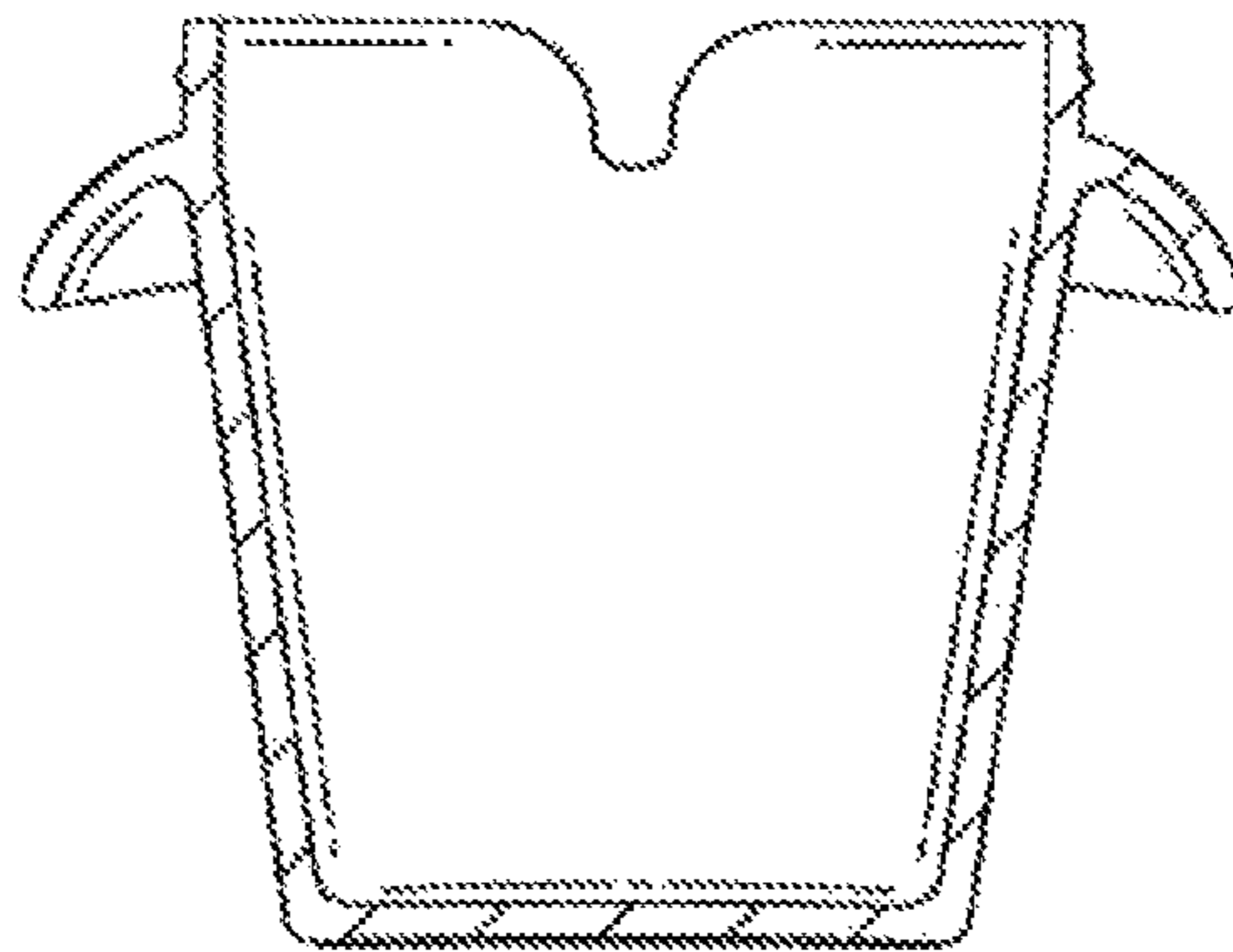


Fig. 12

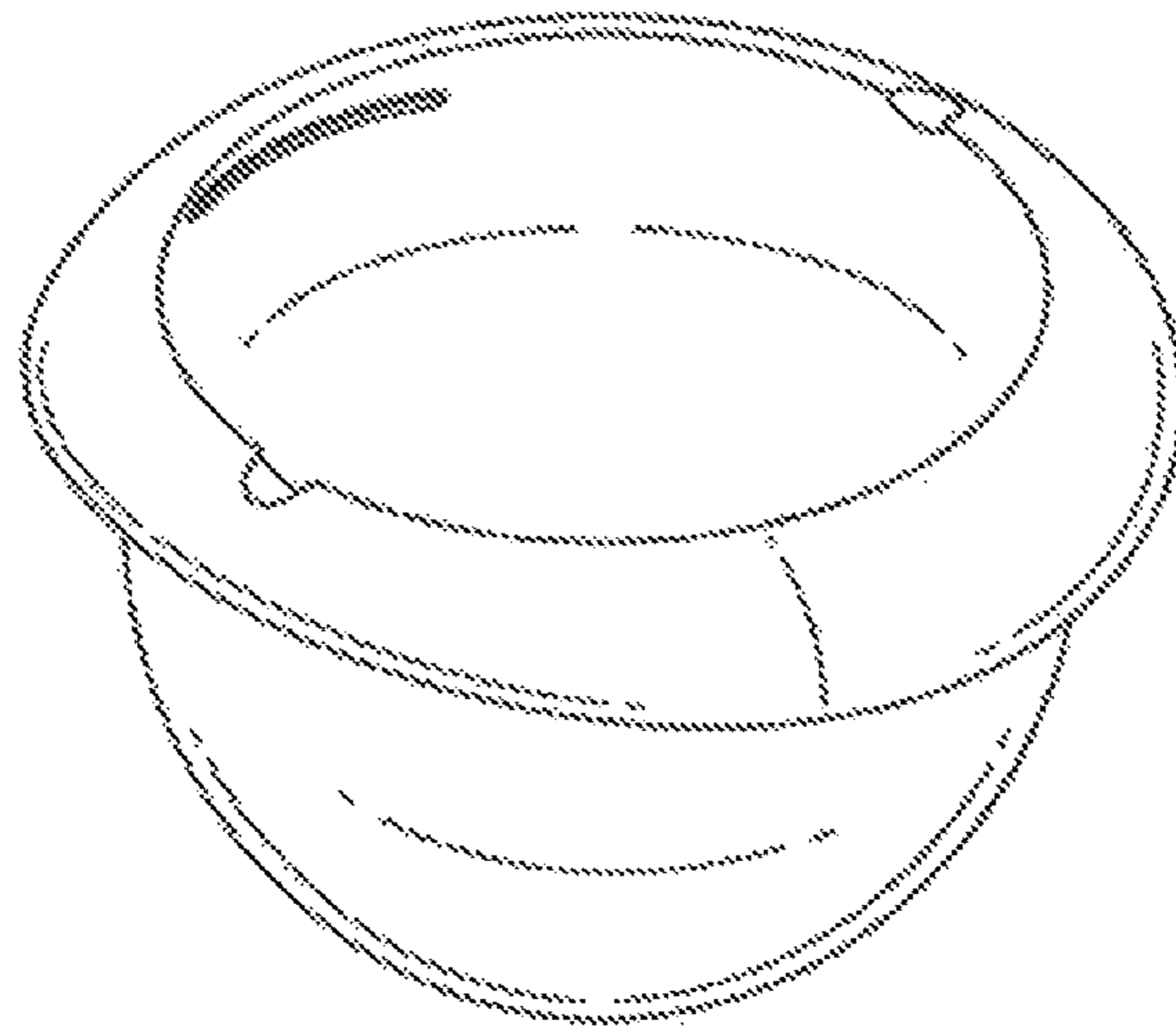


Fig. 13

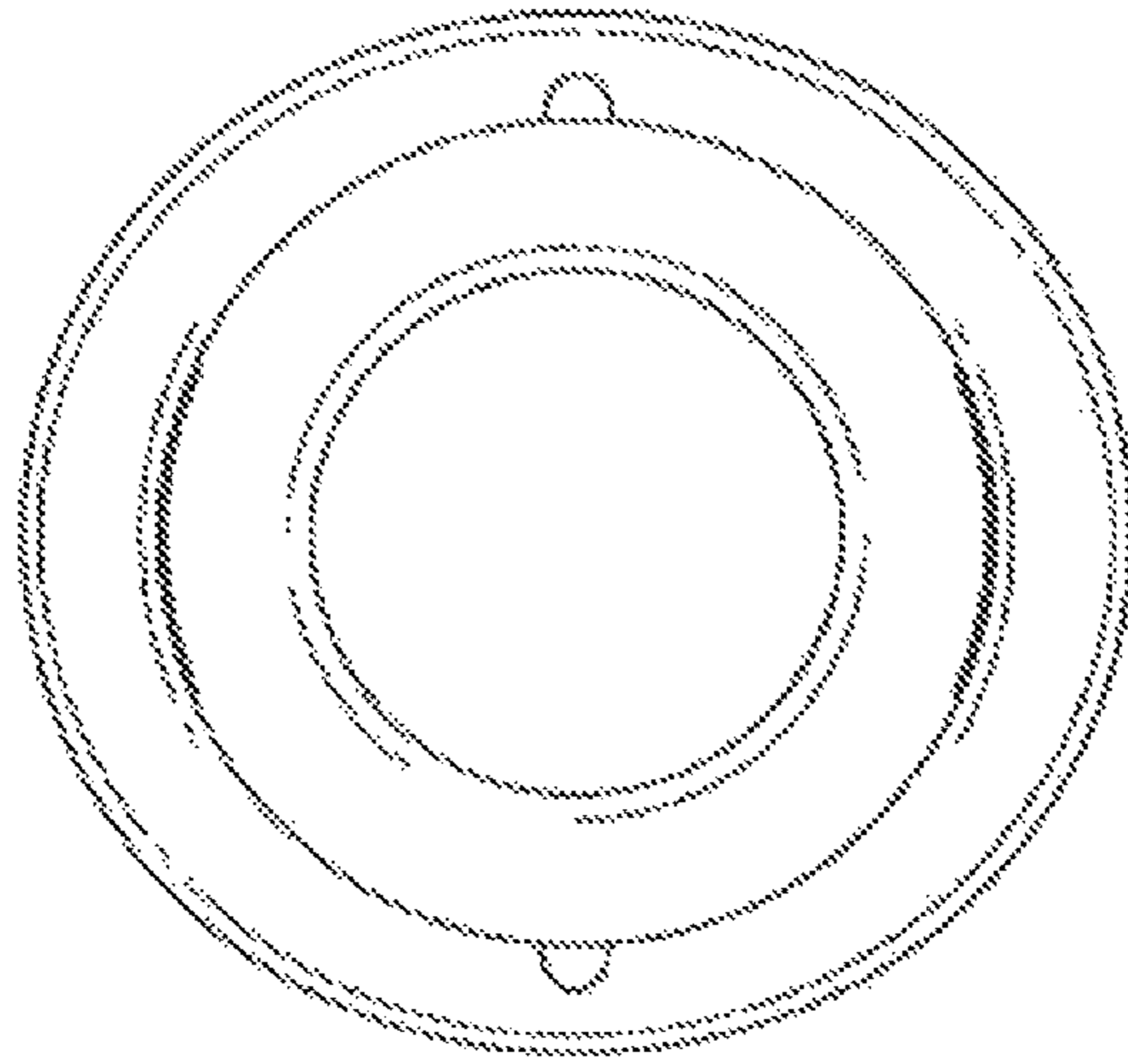


Fig. 14

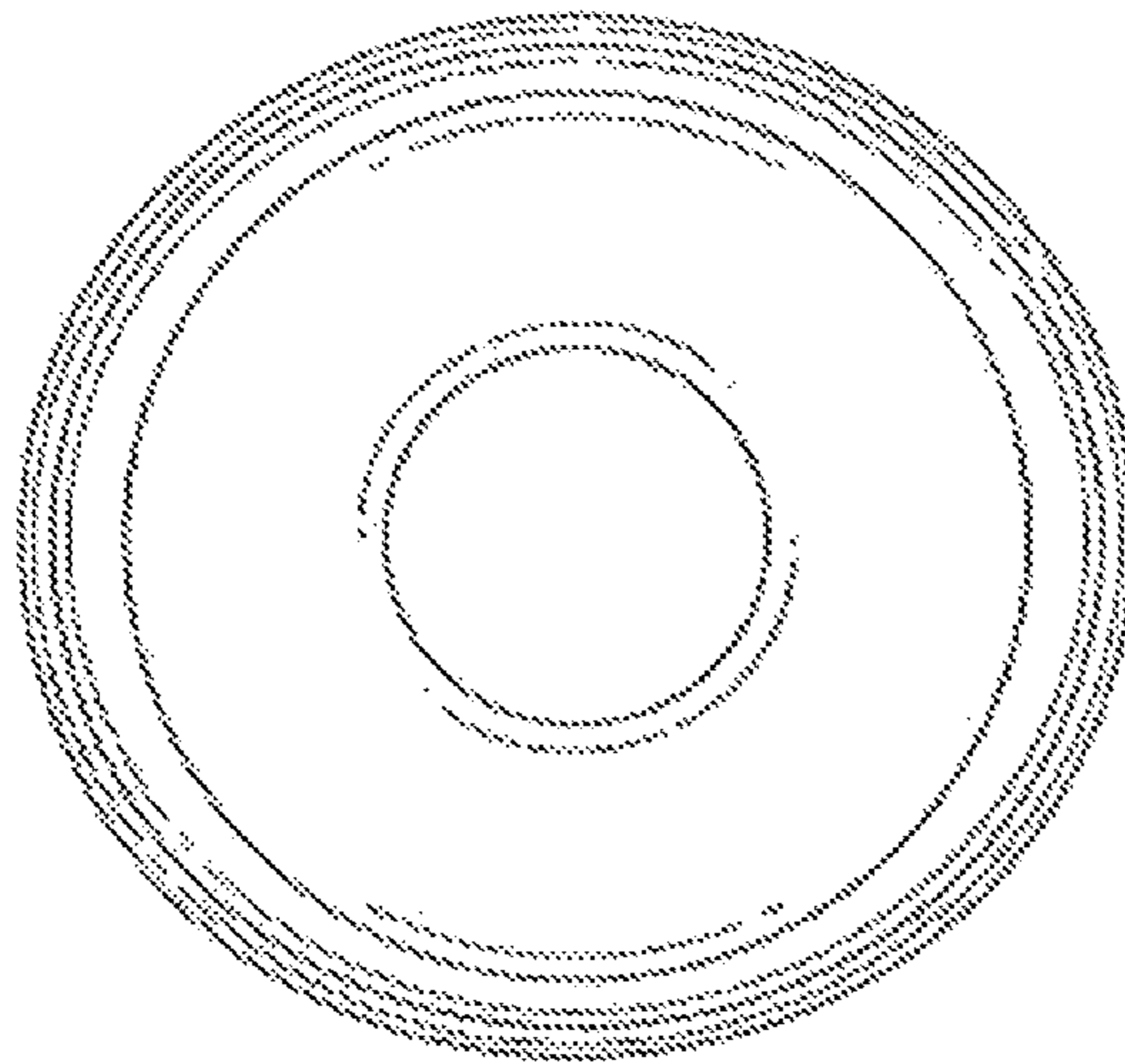


Fig. 15

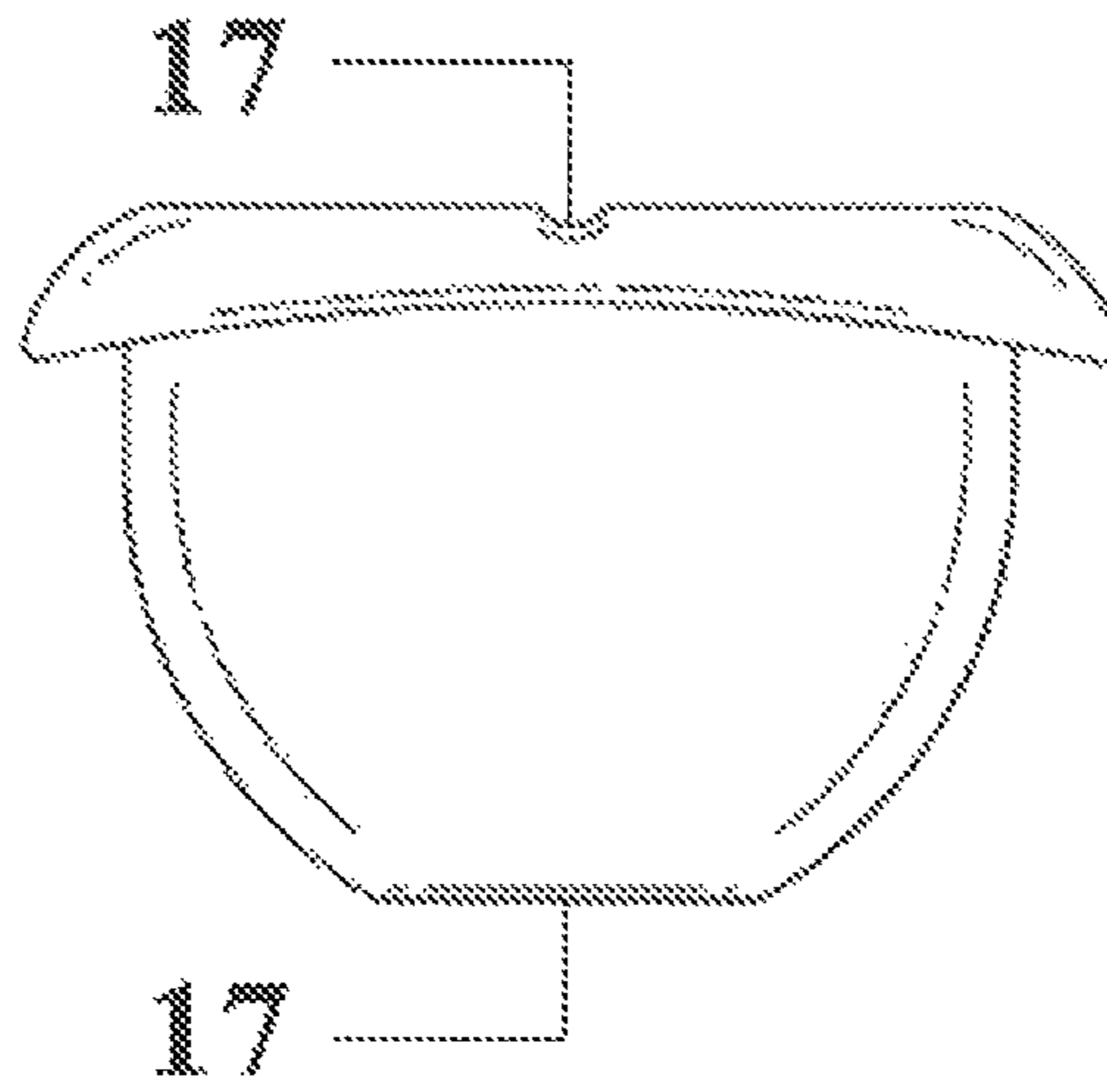


Fig. 16

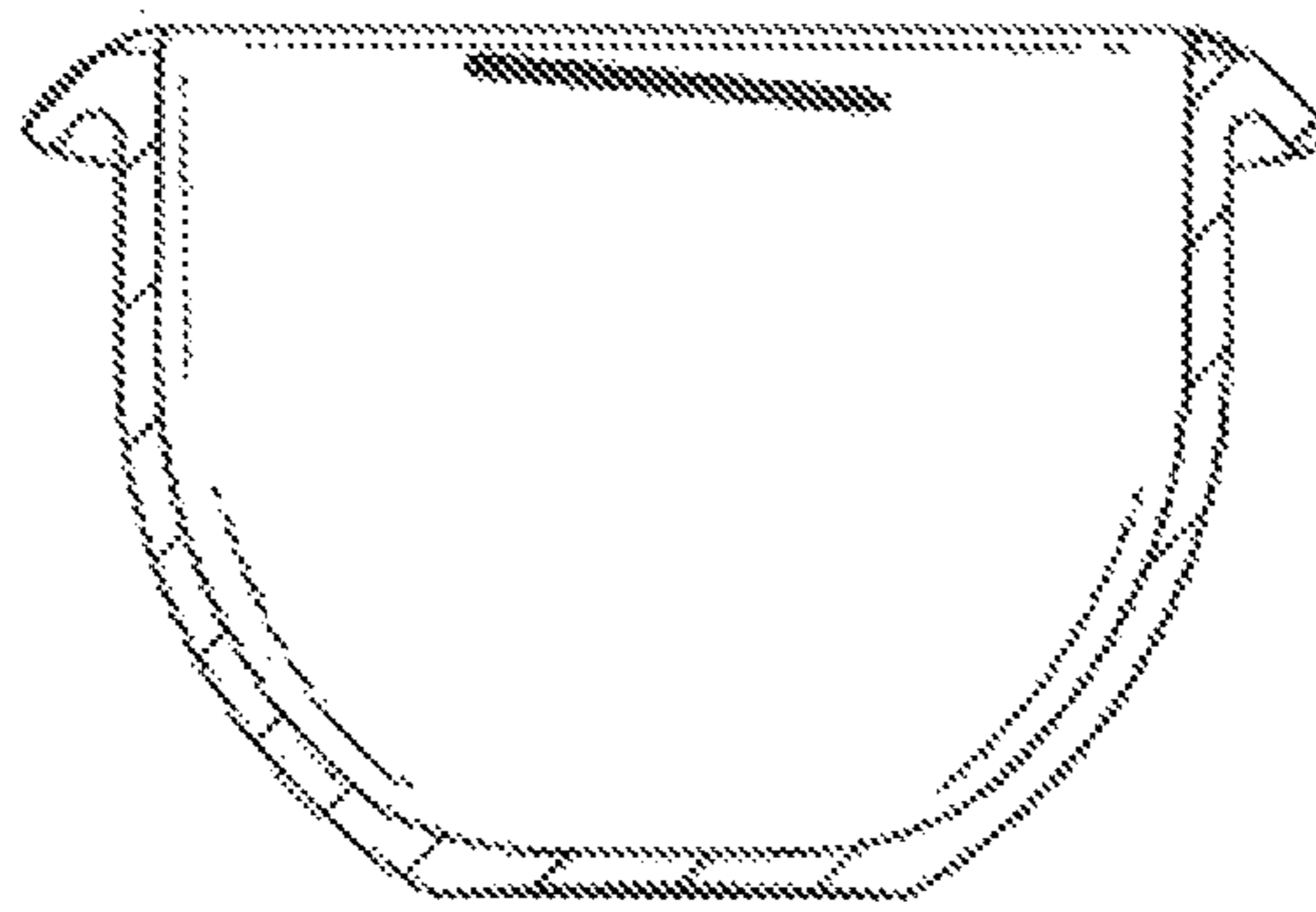


Fig. 17

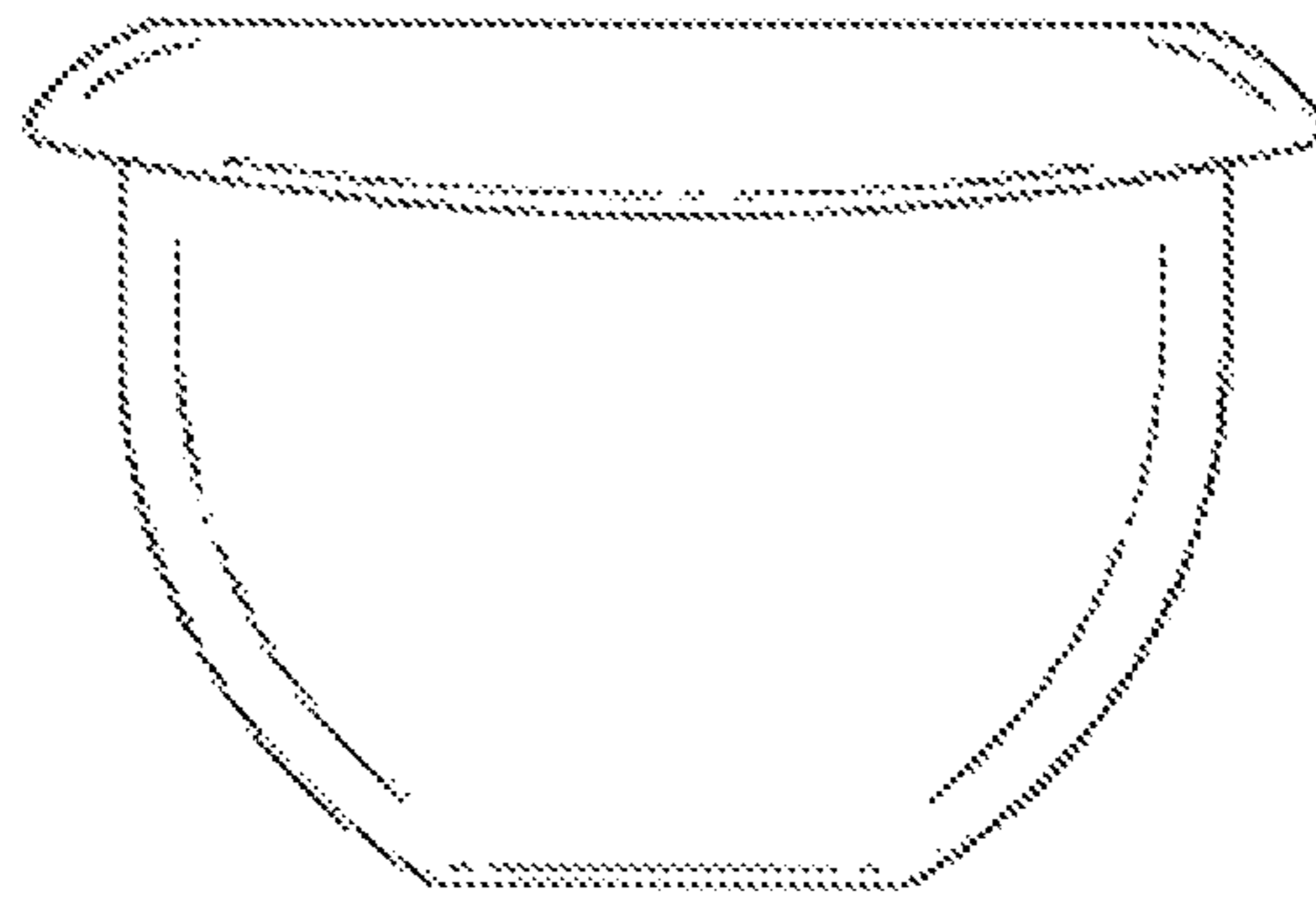


Fig. 18

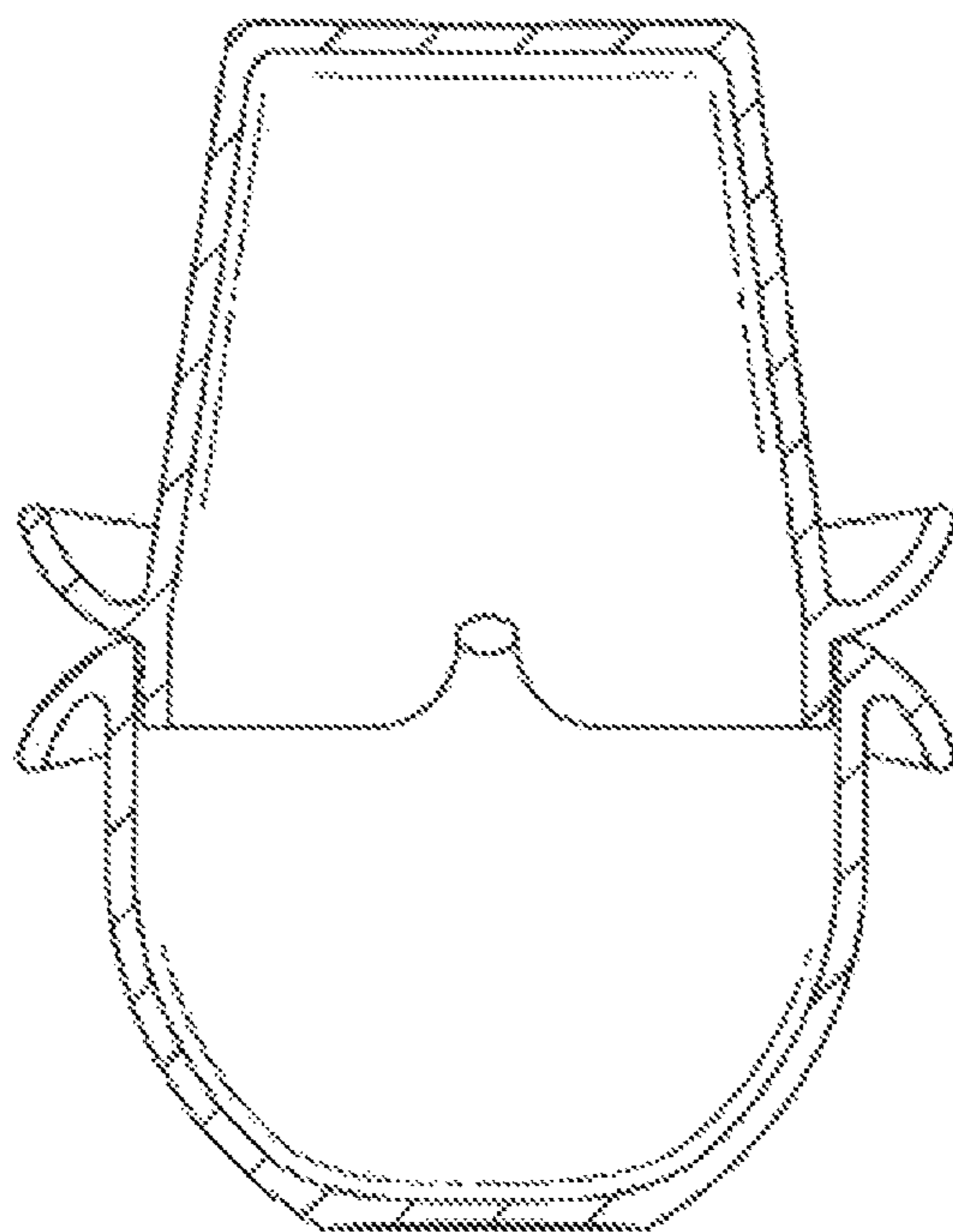


Fig. 19