

US00D692264S

(12) **United States Design Patent**
Weatherly

(10) **Patent No.:** **US D692,264 S**

(45) **Date of Patent:** **** Oct. 29, 2013**

(54) **TABLE**

(71) Applicant: **Becker Designed, Inc.**, Chantilly, VA
(US)

(72) Inventor: **Matthew Weatherly**, Fairfax, VA (US)

(73) Assignee: **Becker Designed, Inc.**, Chantilly, VA
(US)

(**) Term: **14 Years**

(21) Appl. No.: **29/433,101**

(22) Filed: **Sep. 26, 2012**

(51) **LOC (9) Cl.** **06-03**

(52) **U.S. Cl.**
USPC **D6/696.1; D6/692.3**

(58) **Field of Classification Search**
USPC D6/685, 686, 690, 691, 691.4, 692,
D6/692.1, 692.3, 692.4, 696, 696.1, 696.3,
D6/696.4, 696.5, 707.22, 708, 708.16,
D6/708.17; 108/150, 153.1, 156, 157.1,
108/158.11, 161; 248/188, 188.1, 188.7,
248/188.8
See application file for complete search history.

(56) **References Cited**

U.S. PATENT DOCUMENTS

761,468 A * 5/1904 Ford 108/147.21
D299,601 S * 1/1989 Campbell D6/487

D339,487 S * 9/1993 Rizzi D6/486
D341,507 S * 11/1993 Harvey et al. D6/482
D441,224 S * 5/2001 Scheper et al. D6/486
D463,167 S * 9/2002 Goodworth D6/486
D531,839 S * 11/2006 Lade D6/486
D687,656 S * 8/2013 Copeland D6/656.15

* cited by examiner

Primary Examiner — Janice Seeger

(74) *Attorney, Agent, or Firm* — Design IP

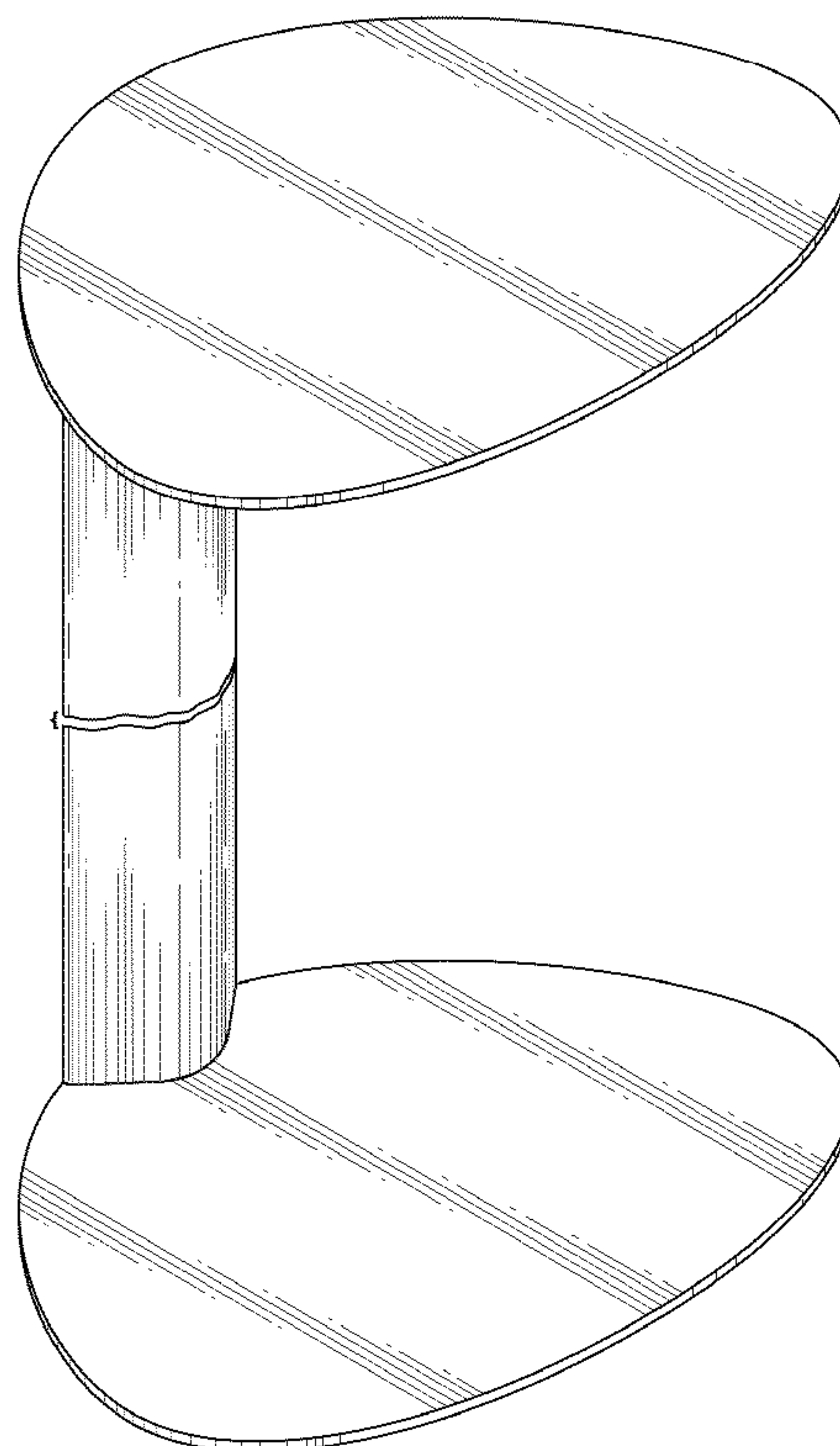
(57) **CLAIM**

The ornamental design for a table, as shown and described.

DESCRIPTION

FIG. 1 is a front perspective view of a table showing my new design;
FIG. 2 is a front view thereof;
FIG. 3 is a rear view thereof;
FIG. 4 is a left side view thereof;
FIG. 5 is a right side view thereof;
FIG. 6 is a top view thereof; and,
FIG. 7 is a sectional view taken along line 7-7 of FIG. 2.
The dashed lines shown in FIGS. 2-5 and 7 are included for the purpose of illustrating environmental subject matter only and form no part of the claimed design. The upright portion of the table has been broken away in FIGS. 1-5 to show no specific length.

1 Claim, 4 Drawing Sheets



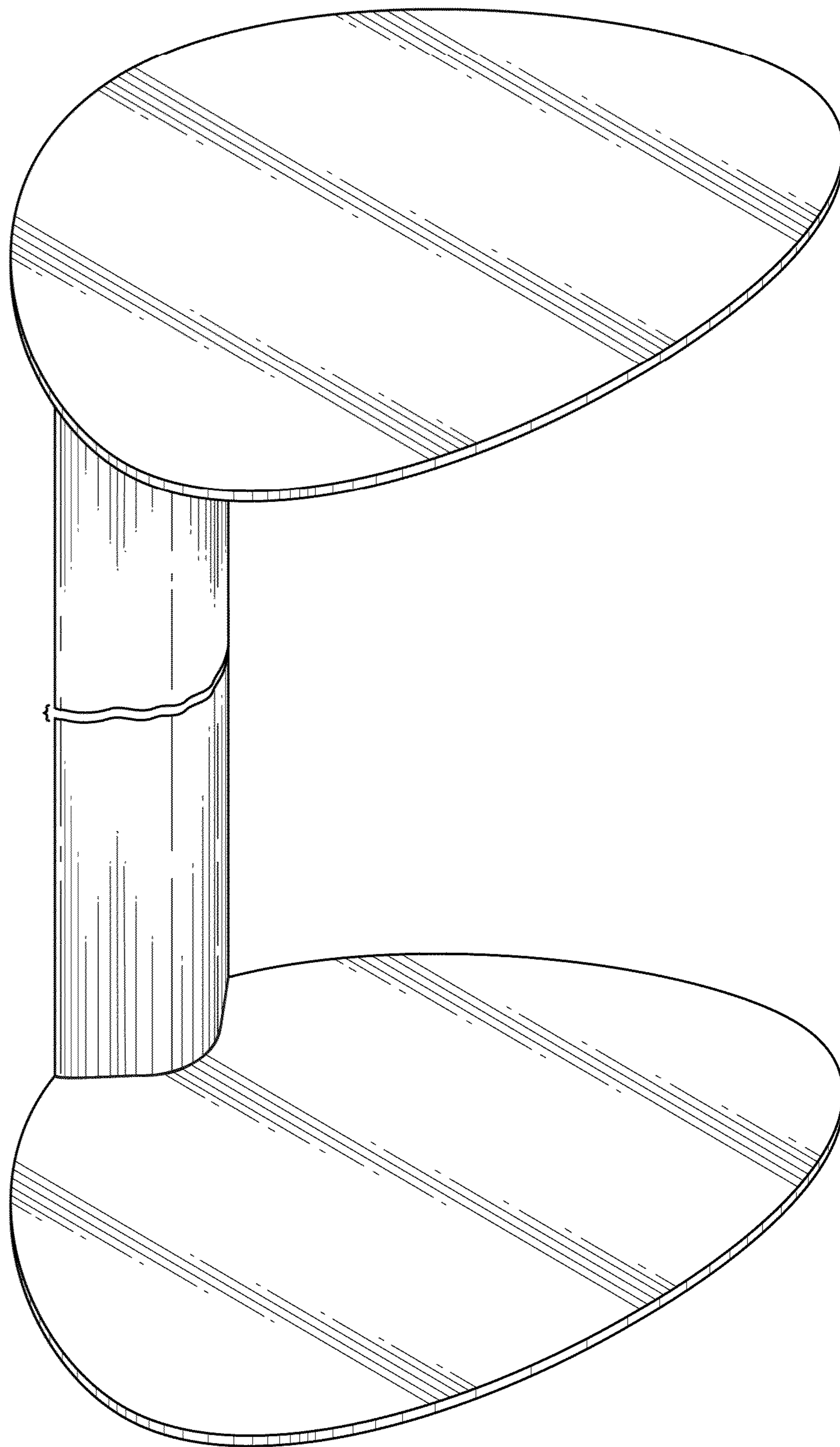


FIG. 1

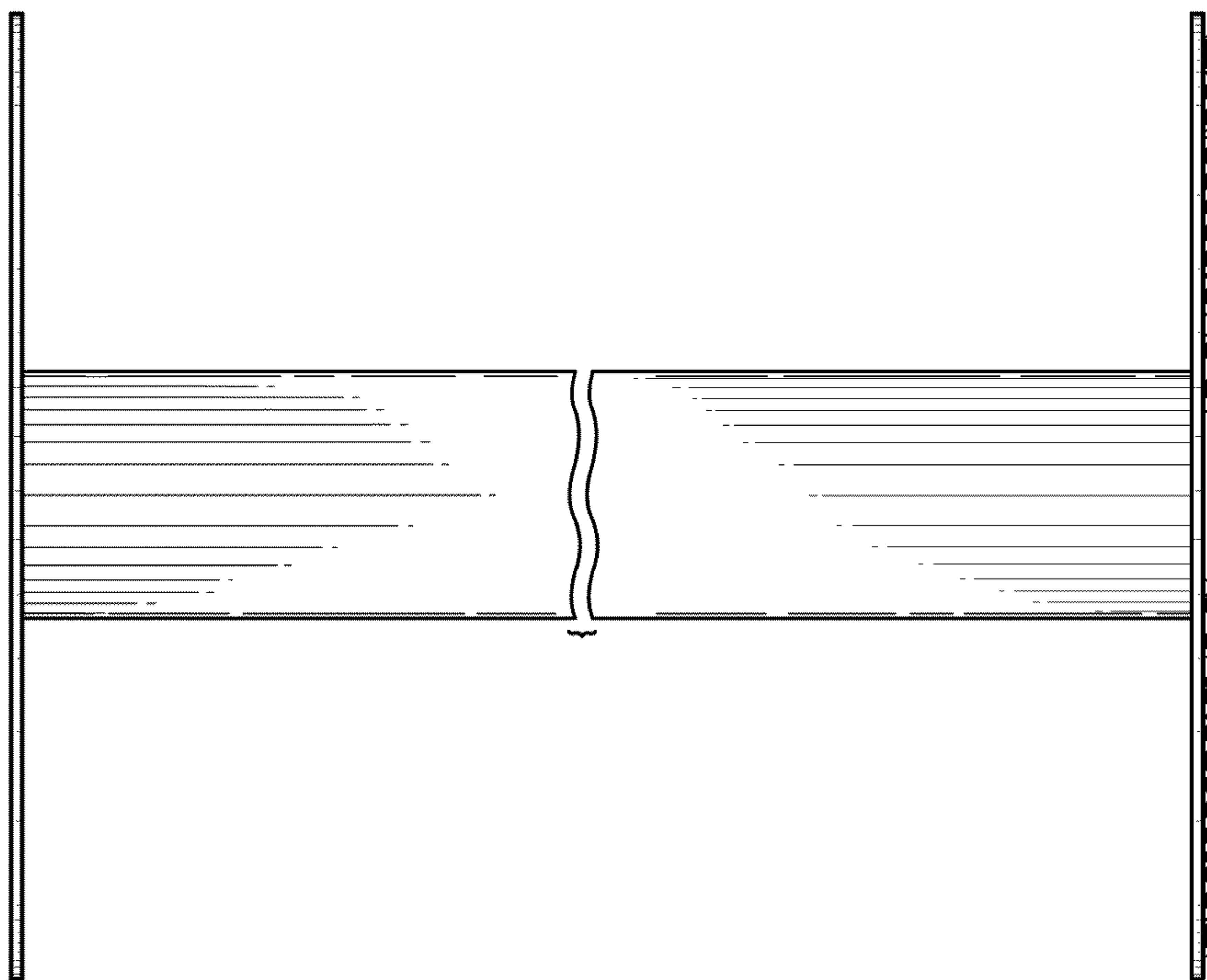


FIG. 3

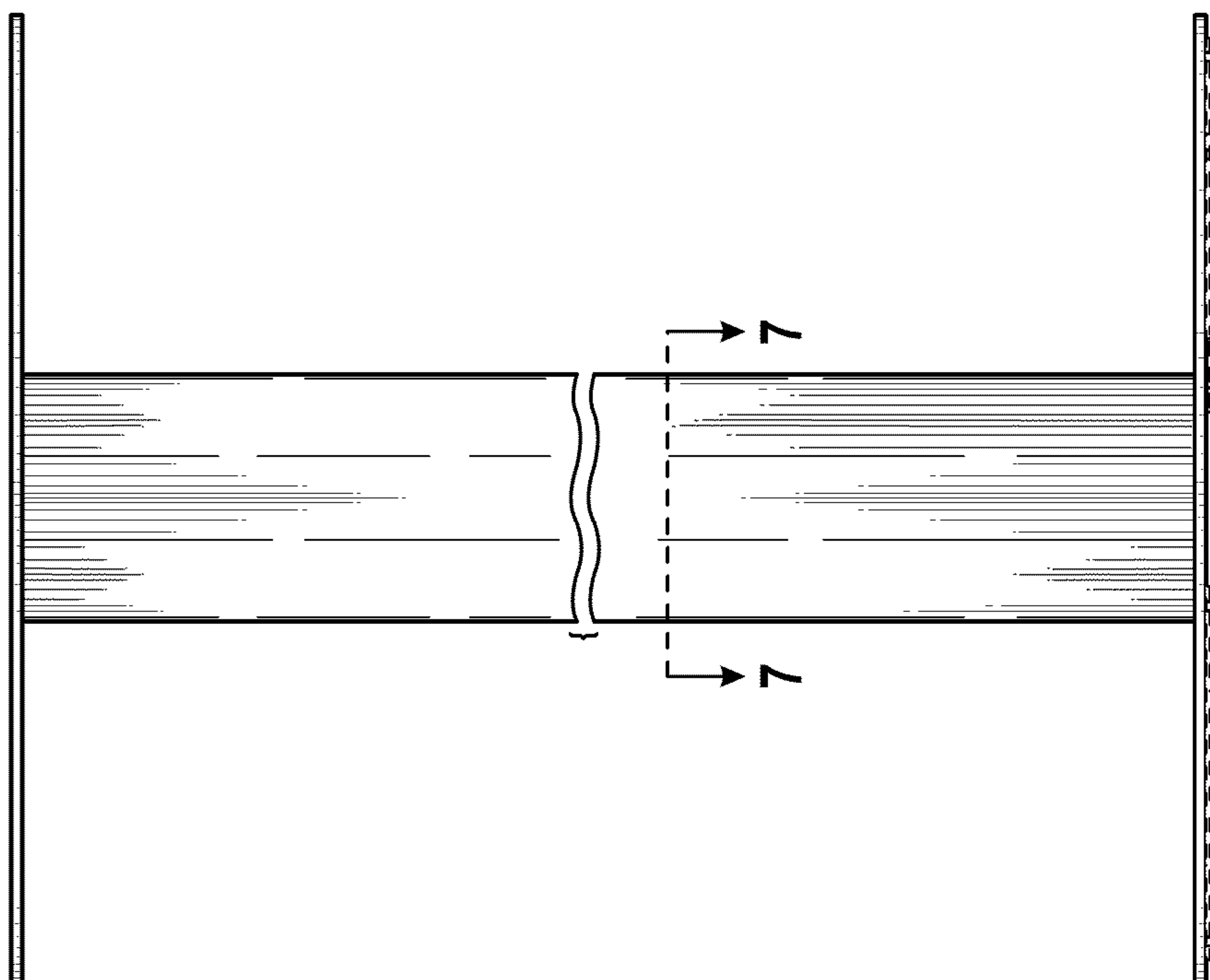


FIG. 2

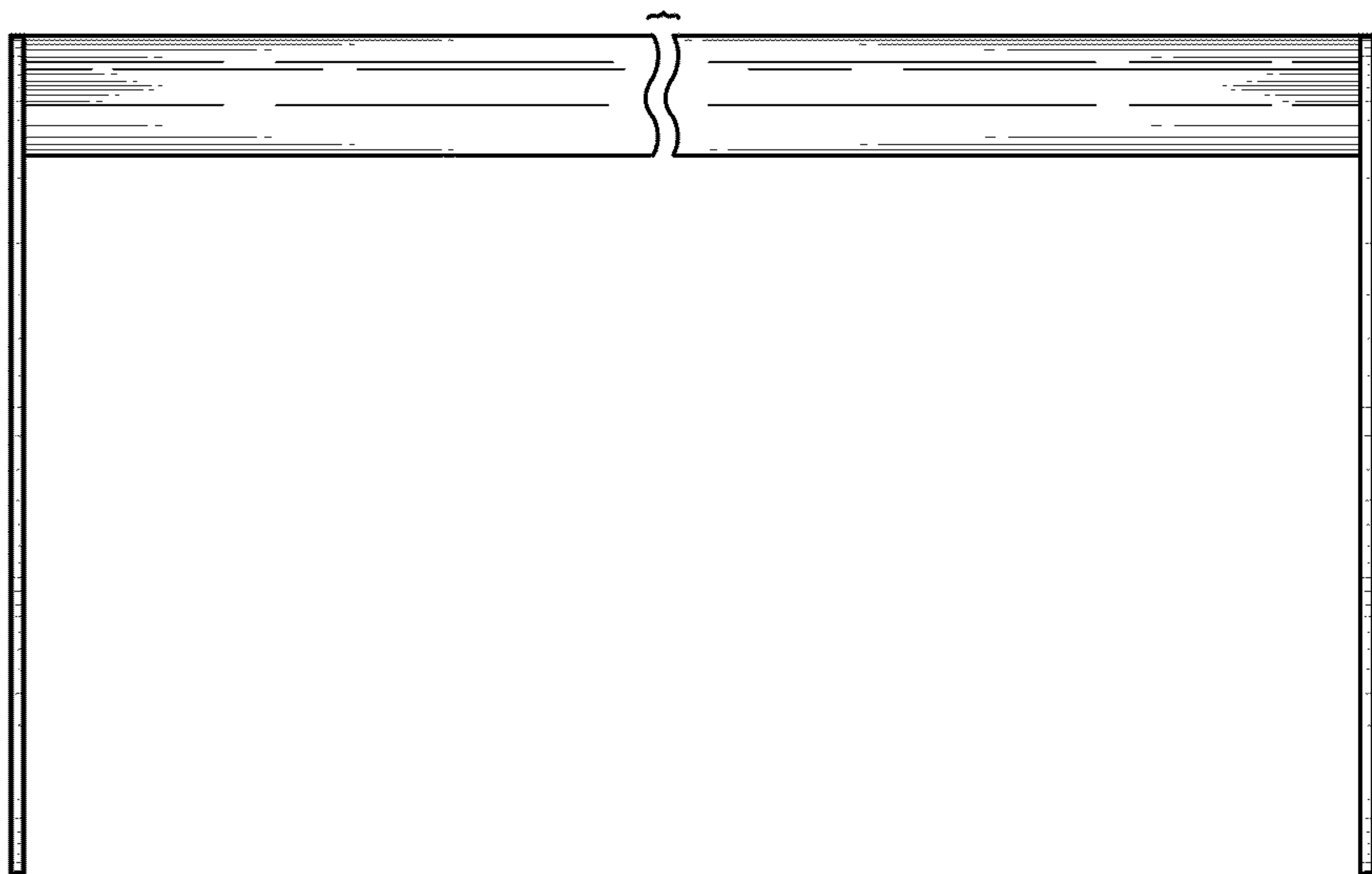


FIG. 5

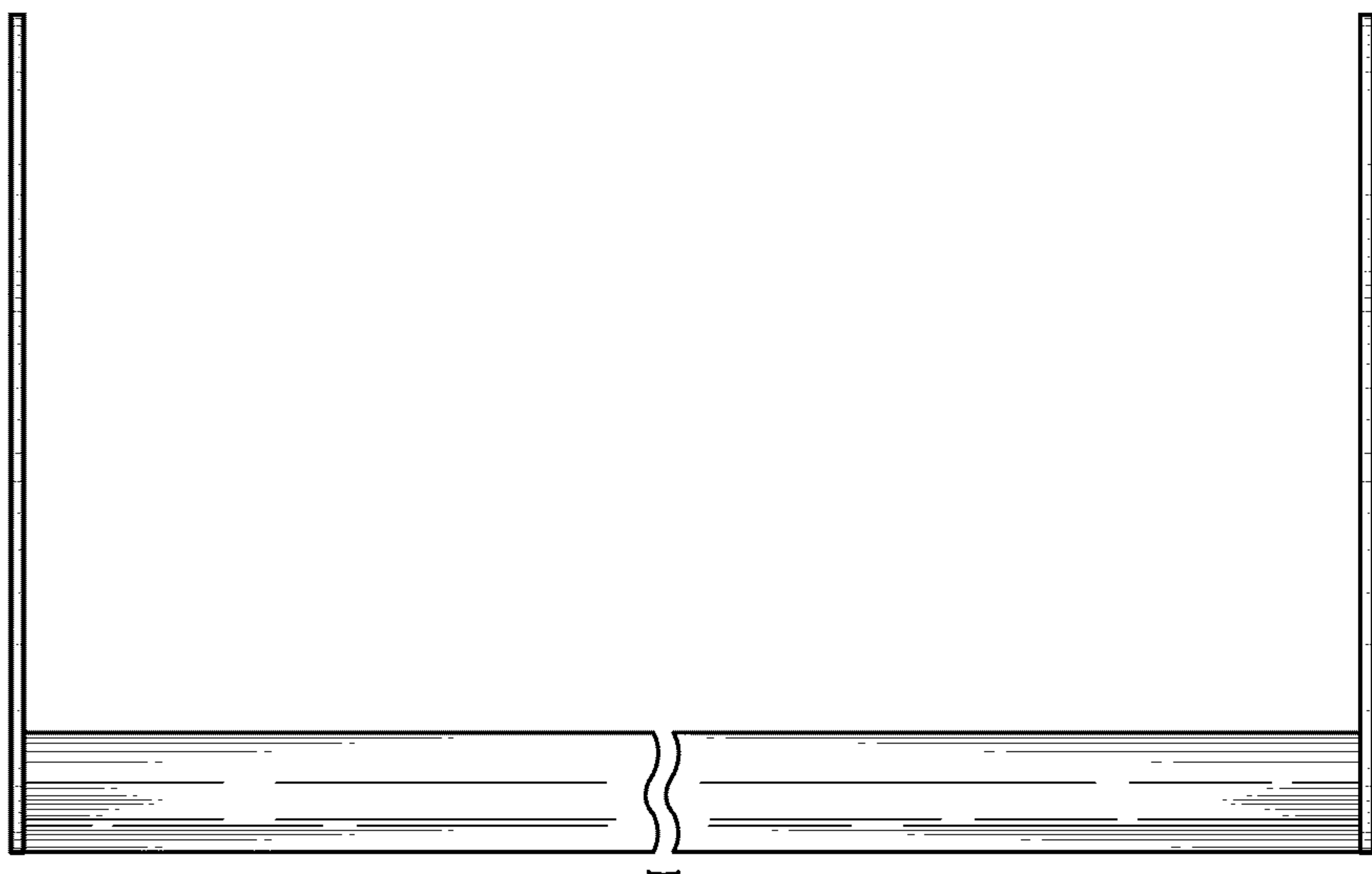


FIG. 4

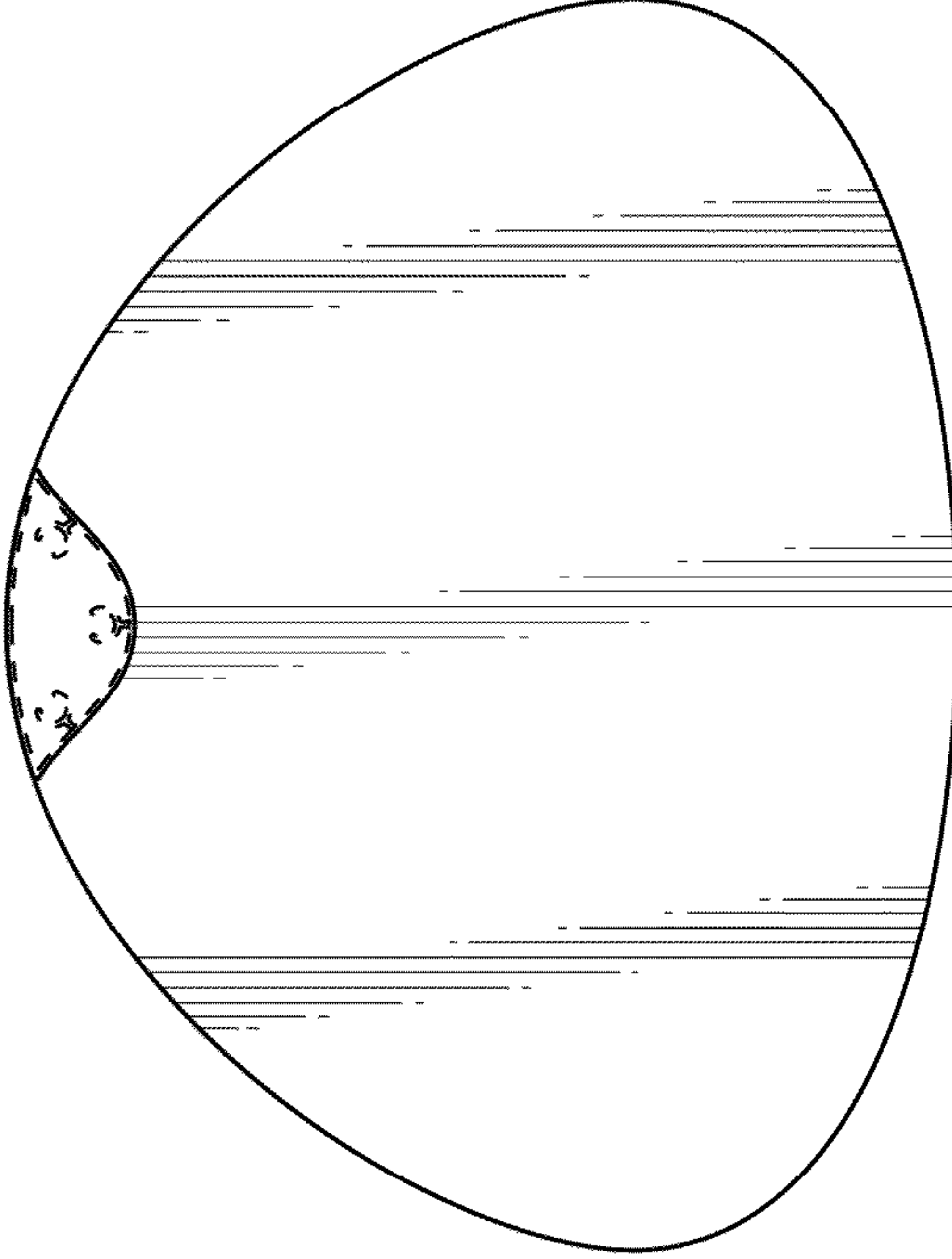


FIG. 6

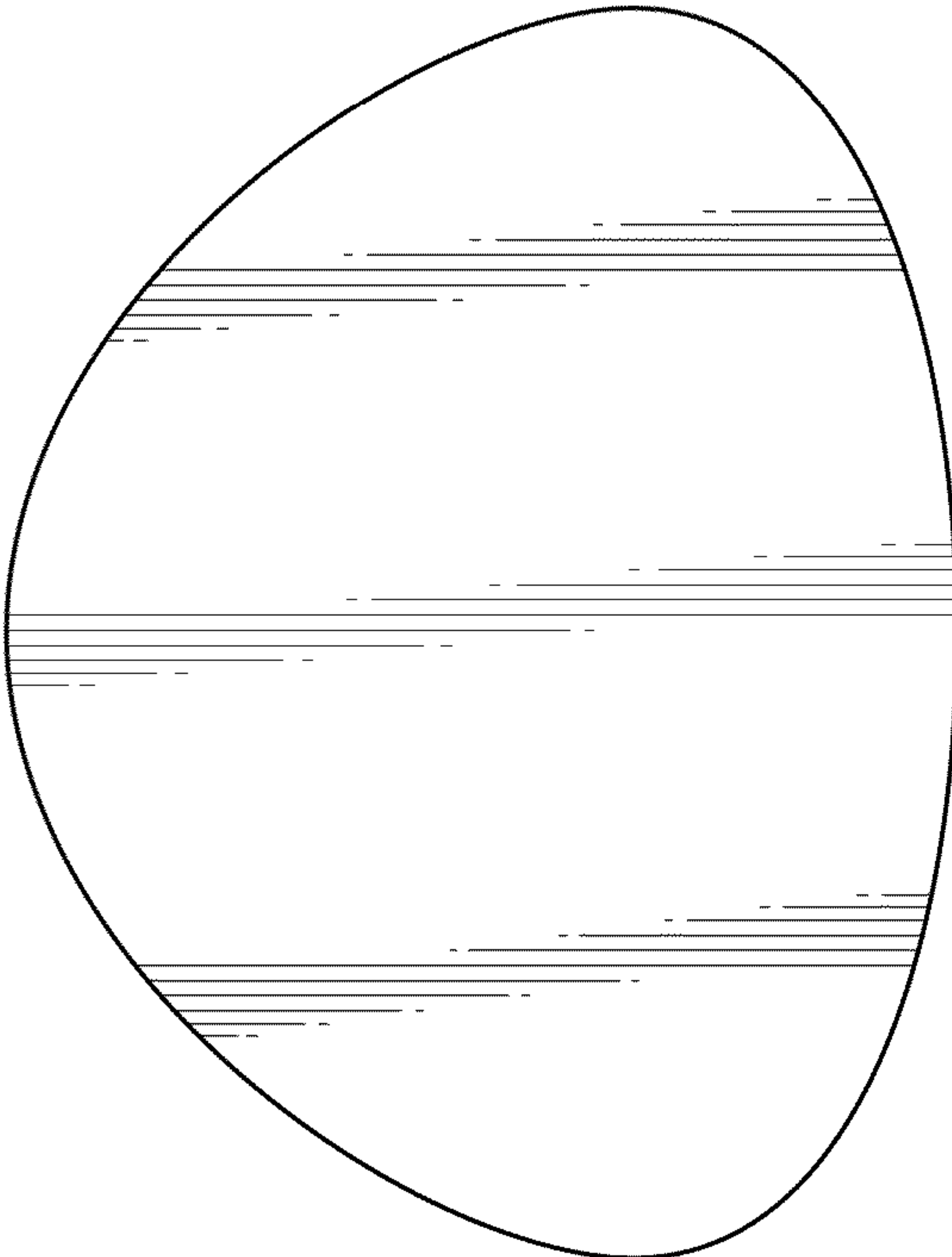


FIG. 7