



US00D692262S

(12) **United States Design Patent**  
**Griffard**

(10) **Patent No.:** **US D692,262 S**

(45) **Date of Patent:** **\*\* \*Oct. 29, 2013**

(54) **CUSHION STORAGE UNIT**

(71) Applicant: **John D. Griffard**, Quincy, IL (US)

(72) Inventor: **John D. Griffard**, Quincy, IL (US)

(\*) Notice: This patent is subject to a terminal disclaimer.

(\*\*) Term: **14 Years**

(21) Appl. No.: **29/440,299**

(22) Filed: **Dec. 20, 2012**

(51) **LOC (9) Cl.** ..... **06-06**

(52) **U.S. Cl.**  
USPC ..... **D6/675**

(58) **Field of Classification Search**  
USPC ..... D3/205, 233, 304-307, 310-312,  
D3/313-315; D6/429, 440, 445-446, 450,  
D6/475, 509-510; D34/12-27;  
190/109-115; 312/350; 280/645, 652,  
280/47.26

See application file for complete search history.

(56) **References Cited**

**U.S. PATENT DOCUMENTS**

D292,135 S \* 9/1987 Grube et al. .... D34/24  
D374,532 S \* 10/1996 Pool ..... D34/21

D404,872 S \* 1/1999 Tucker ..... D34/19  
D411,044 S \* 6/1999 Maddux et al. .... D34/20  
D477,166 S \* 7/2003 Petri ..... D6/510  
D520,707 S \* 5/2006 Phillips, II ..... D34/19  
D548,920 S \* 8/2007 Kinsley et al. .... D34/27  
D621,569 S \* 8/2010 Linnell, Jr. .... D34/19  
D624,724 S \* 9/2010 Uhl et al. .... D34/17  
D655,507 S \* 3/2012 Alcorn et al. .... D3/312  
D665,142 S \* 8/2012 Shanahan et al. .... D34/20

\* cited by examiner

*Primary Examiner* — Kelley Donnelly

(74) *Attorney, Agent, or Firm* — Bryan Cave LLP

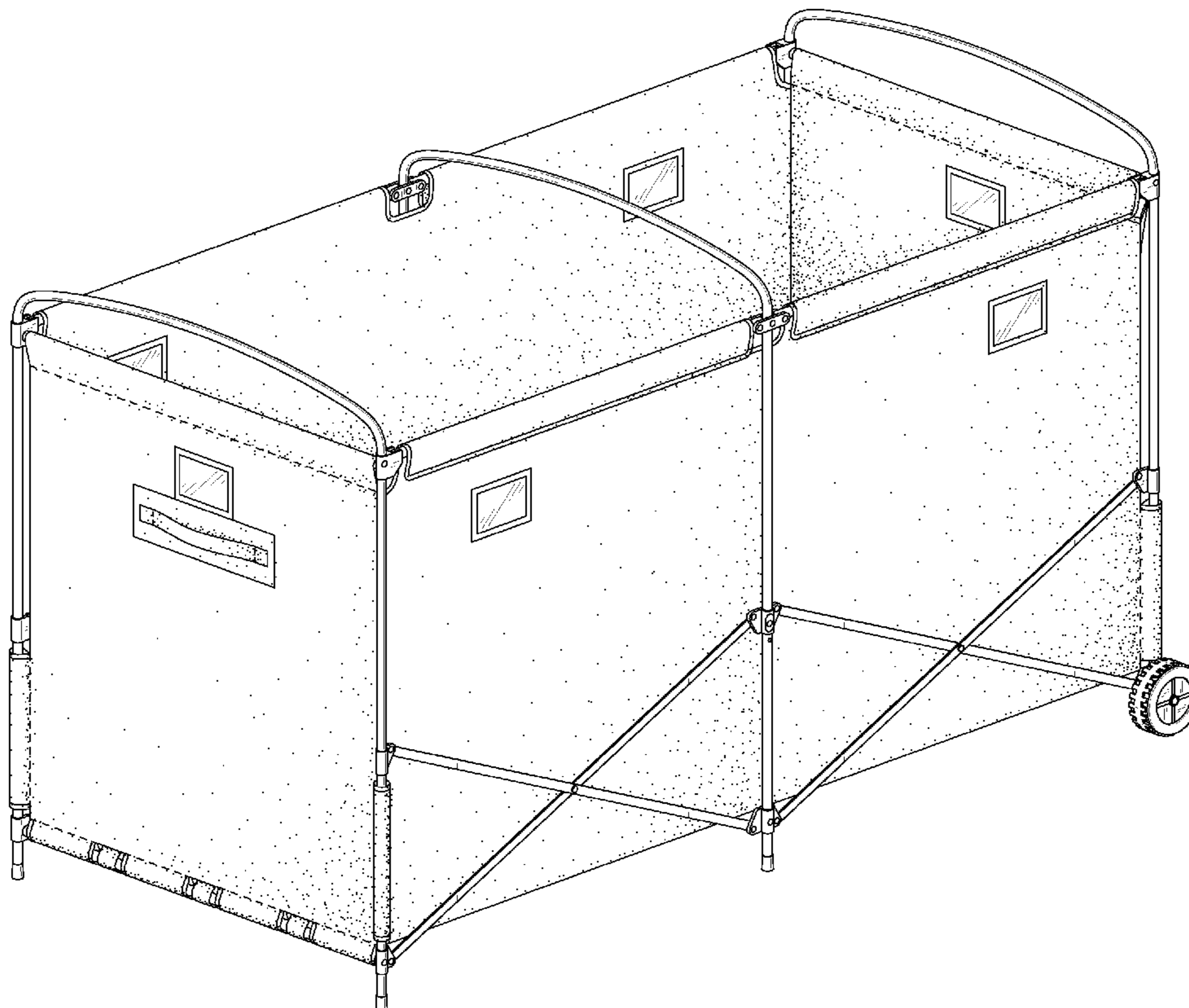
(57) **CLAIM**

I claim the ornamental design for a cushion storage unit, as shown and described.

**DESCRIPTION**

FIG. 1 is a top perspective view of a cushion storage unit illustrating my new design;  
FIG. 2 is a right side view thereof;  
FIG. 3 is a left side view thereof;  
FIG. 4 is a front view thereof;  
FIG. 5 is a back view thereof; and,  
FIG. 6 is a top view thereof.

**1 Claim, 6 Drawing Sheets**



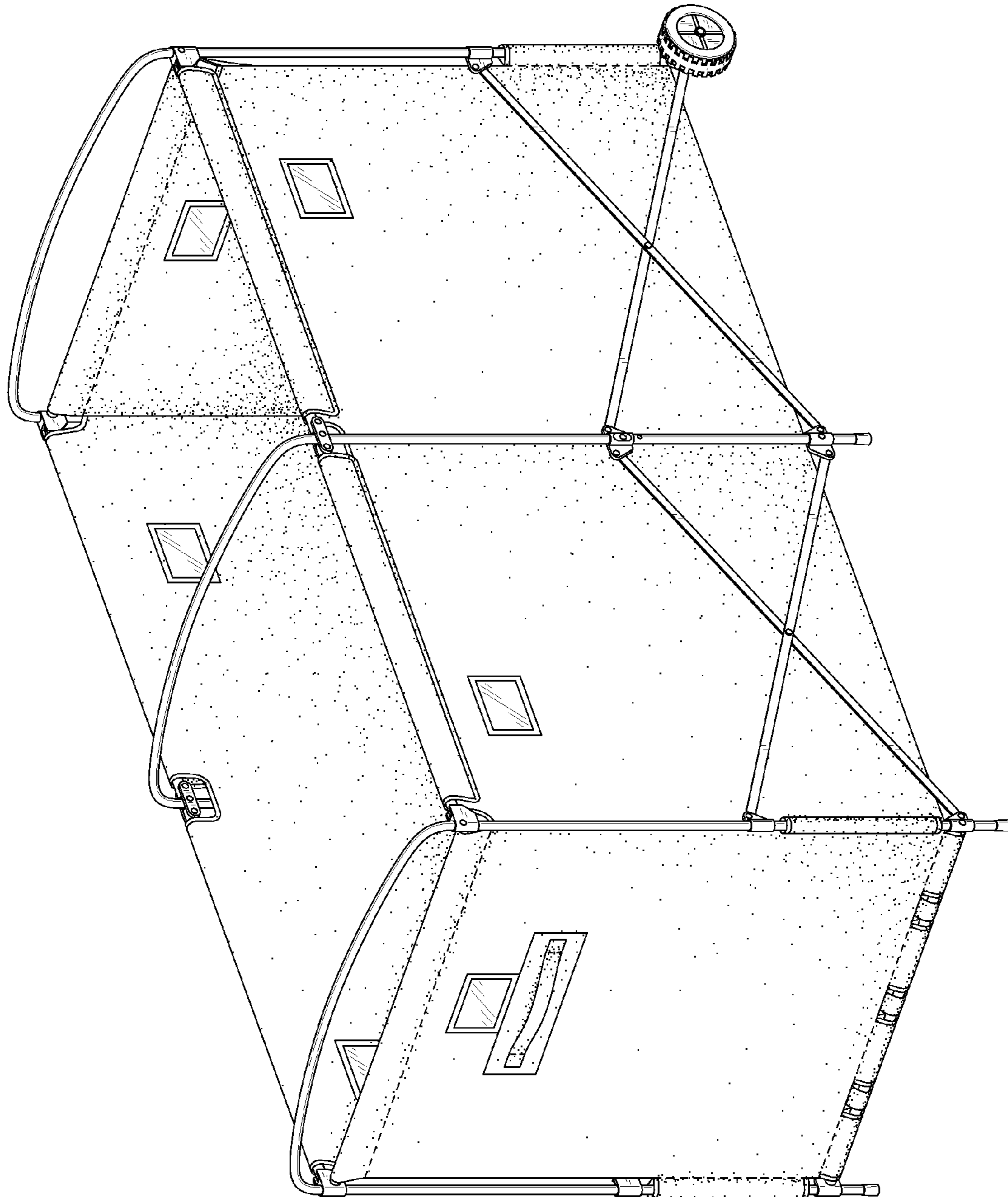


FIG. 1

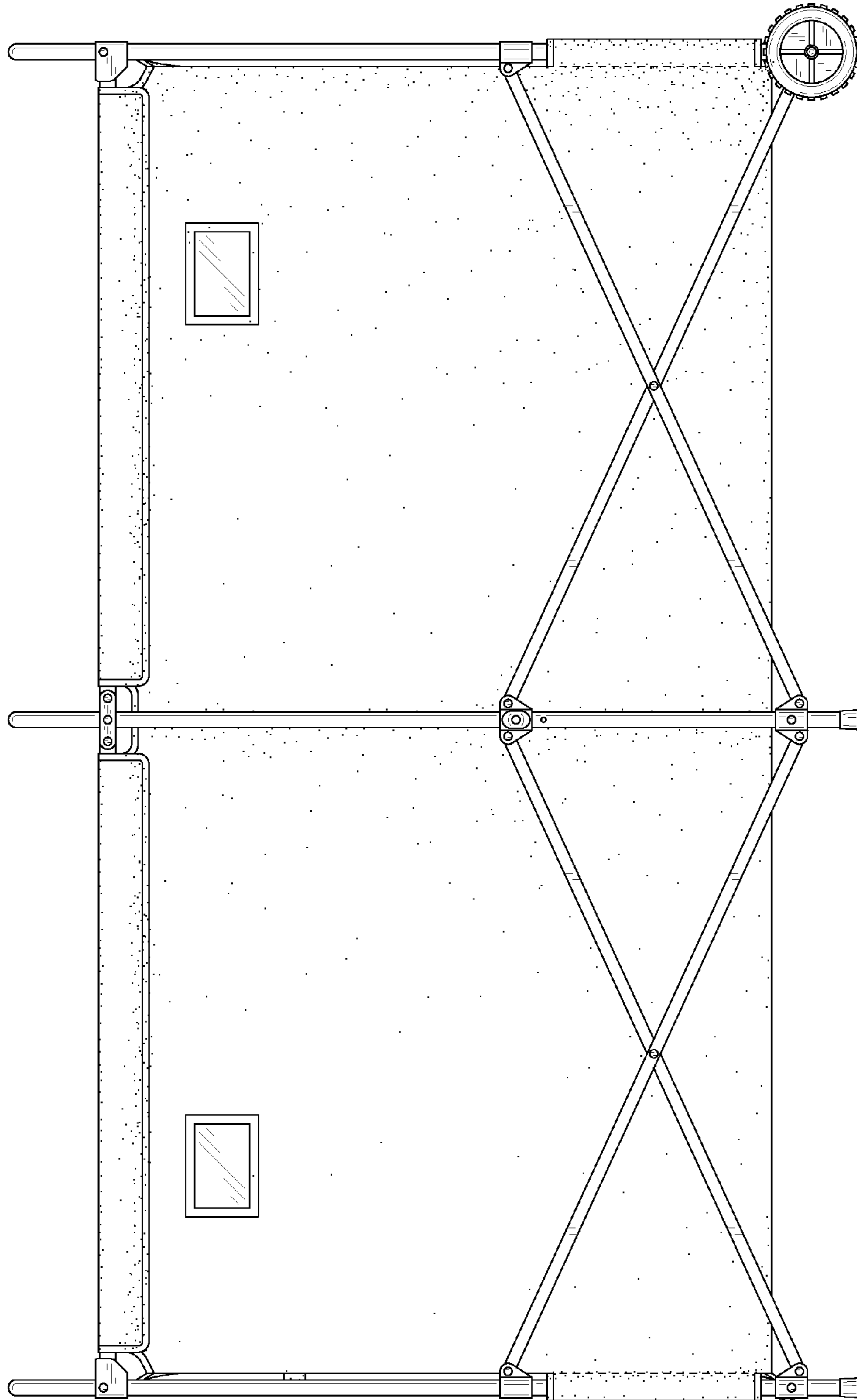


FIG. 2

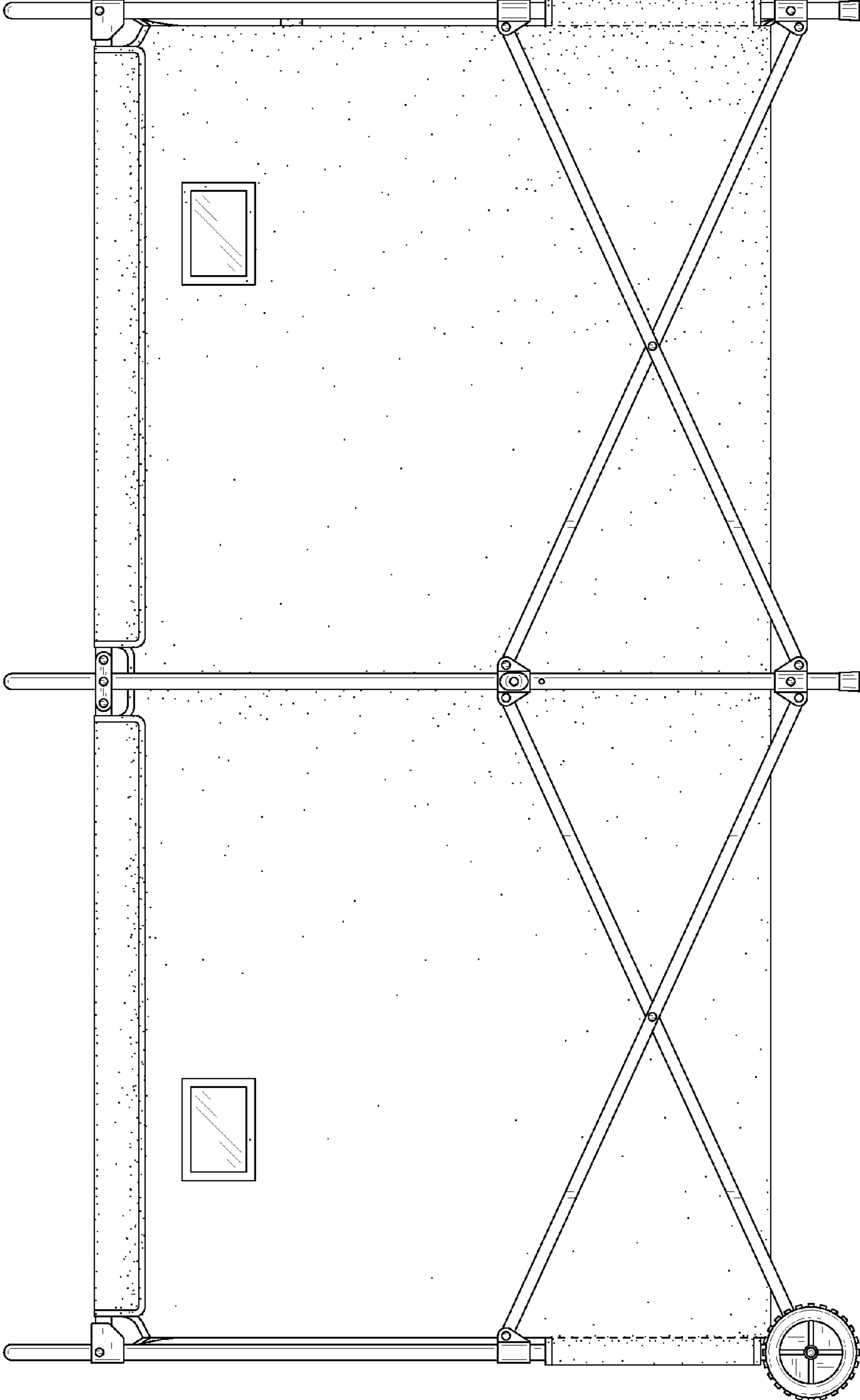


FIG. 3

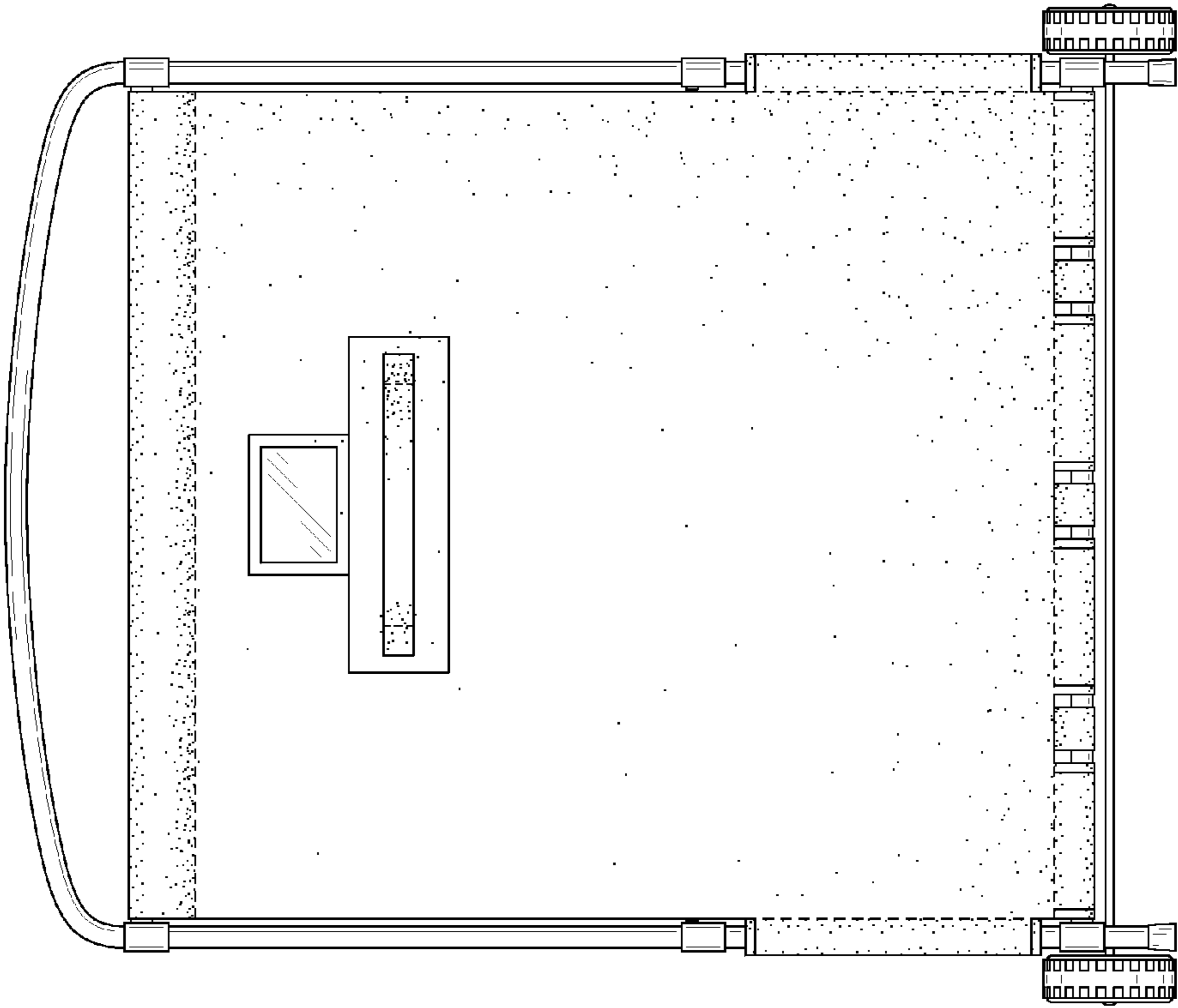


FIG. 4

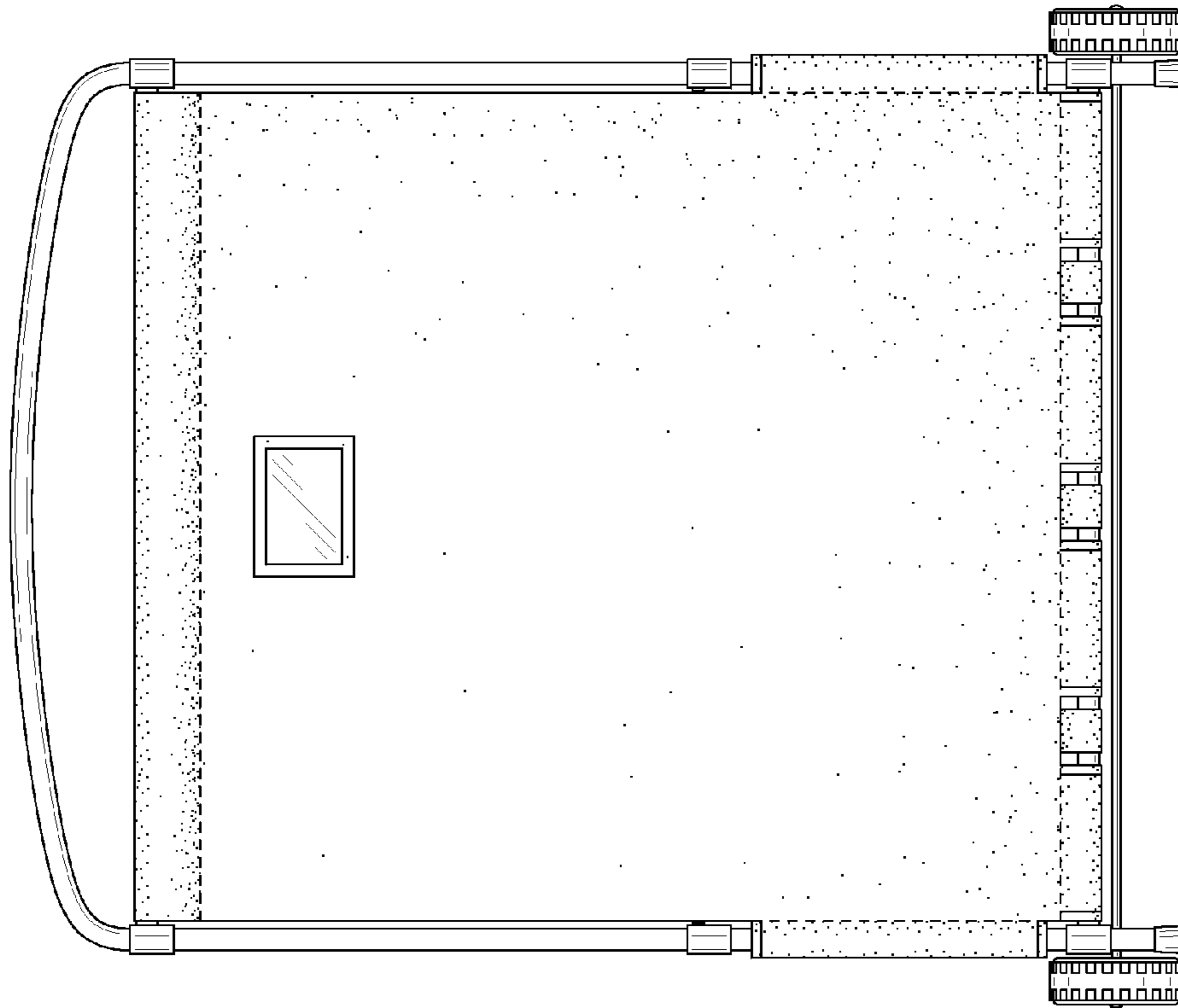


FIG. 5



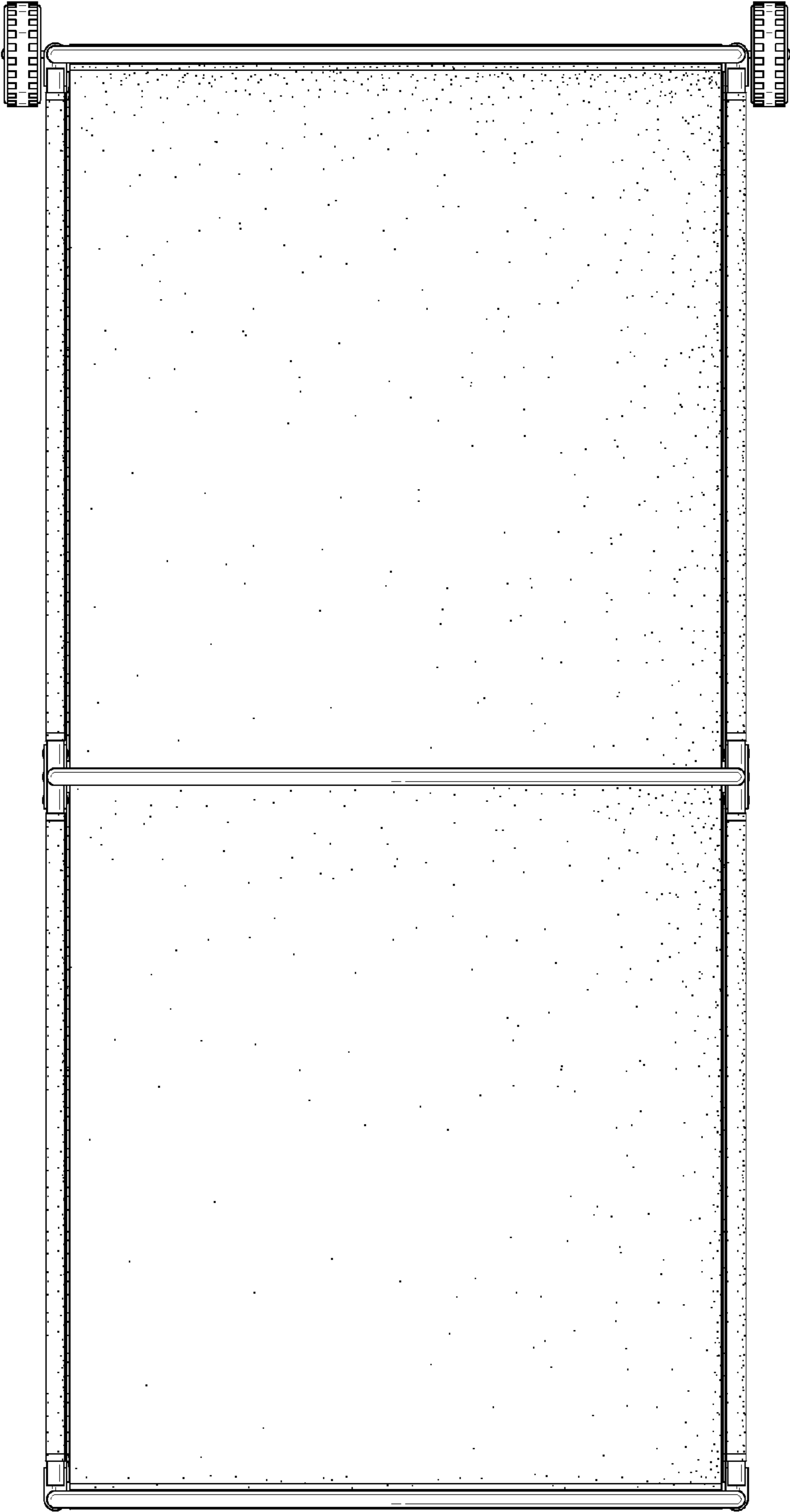


FIG. 6