



US00D692261S

(12) **United States Design Patent**
Sharp

(10) **Patent No.:** **US D692,261 S**

(45) **Date of Patent:** **** Oct. 29, 2013**

(54) **EARRING ORGANIZER**

(76) **Inventor:** **Virginia M. Sharp**, Elizabethtown, KY
(US)

(**) **Term:** **14 Years**

(21) **Appl. No.:** **29/395,100**

(22) **Filed:** **Nov. 23, 2011**

(51) **LOC (9) Cl.** **06-04**

(52) **U.S. Cl.**
USPC **D6/672**

(58) **Field of Classification Search**
USPC D6/300–314, 444, 568, 449, 397, 396;
312/204, 224, 226; 40/700–702, 714,
40/717, 790–791, 721, 727, 738, 739, 742,
40/745, 746, 782–784; D11/131
See application file for complete search history.

(56) **References Cited**

U.S. PATENT DOCUMENTS

4,420,084	A	12/1983	Whelan	
4,606,458	A	8/1986	LeBate	
4,767,011	A	8/1988	Butler	
4,905,821	A	3/1990	Corbett	
D313,906	S	1/1991	Lublin	
D333,740	S	* 3/1993	Ma	D6/397
D335,768	S	5/1993	Romo	
D343,749	S	2/1994	Thompson	
5,295,587	A	3/1994	Downes et al.	
5,363,953	A	11/1994	Carter	
D363,602	S	10/1995	Asher	
D382,731	S	8/1997	Martin	
D391,756	S	3/1998	Horne	

D474,353	S	5/2003	Skinner	
D524,059	S	* 7/2006	Mohundro	D6/300
D564,241	S	* 3/2008	Draheim	D6/300
D587,493	S	3/2009	Skidis	
2010/0170810	A1	7/2010	Shulman	

* cited by examiner

Primary Examiner — Philip S Hyder

Assistant Examiner — Sydney Buffalow

(74) *Attorney, Agent, or Firm* — Carrithers Law Office PLLC

(57) **CLAIM**

The ornamental design for an earring organizer, as shown and described.

DESCRIPTION

FIG. 1 is a perspective view of the earring organizer showing my new design with the earring attachment sheets shown in phantom lines;

FIG. 2 is a front view thereof;

FIG. 3 is a rear view thereof;

FIG. 4 is a top side view thereof;

FIG. 5 is a bottom view thereof;

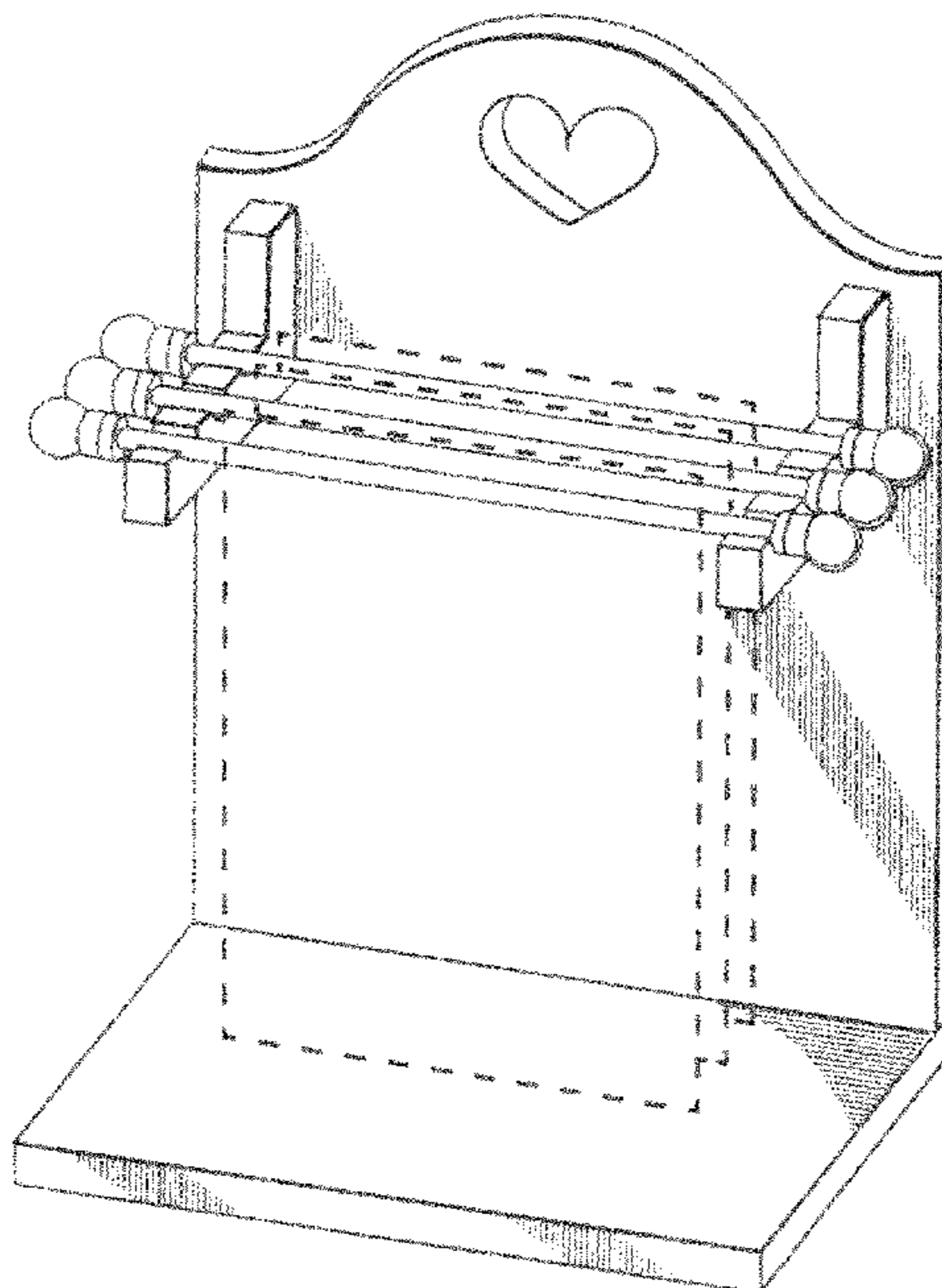
FIG. 6 is a right side view thereof; and,

FIG. 7 is a left side view thereof.

The broken lines shown in FIGS. 1, 4, 6 and 7 representing hanging elements form no part of the claimed design.

The broken lines showing the sheet of woven material for attachment of the earrings shown in FIGS. 1 and 2 and the woven sheets for attachment of the earrings shown in FIGS. 8 and 9 for illustrative purposes only and form no part of the claimed design.

1 Claim, 2 Drawing Sheets



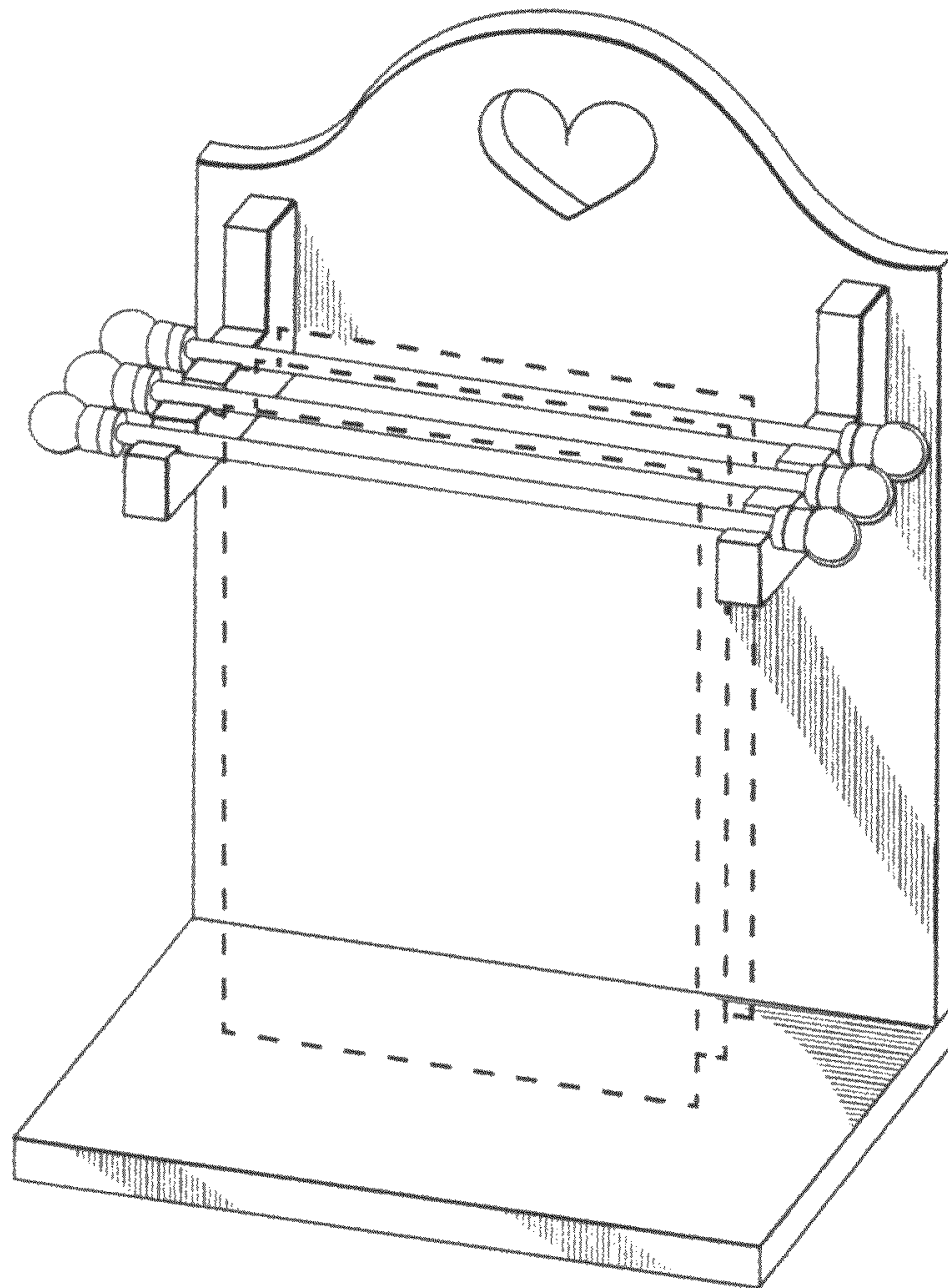


FIG. 1

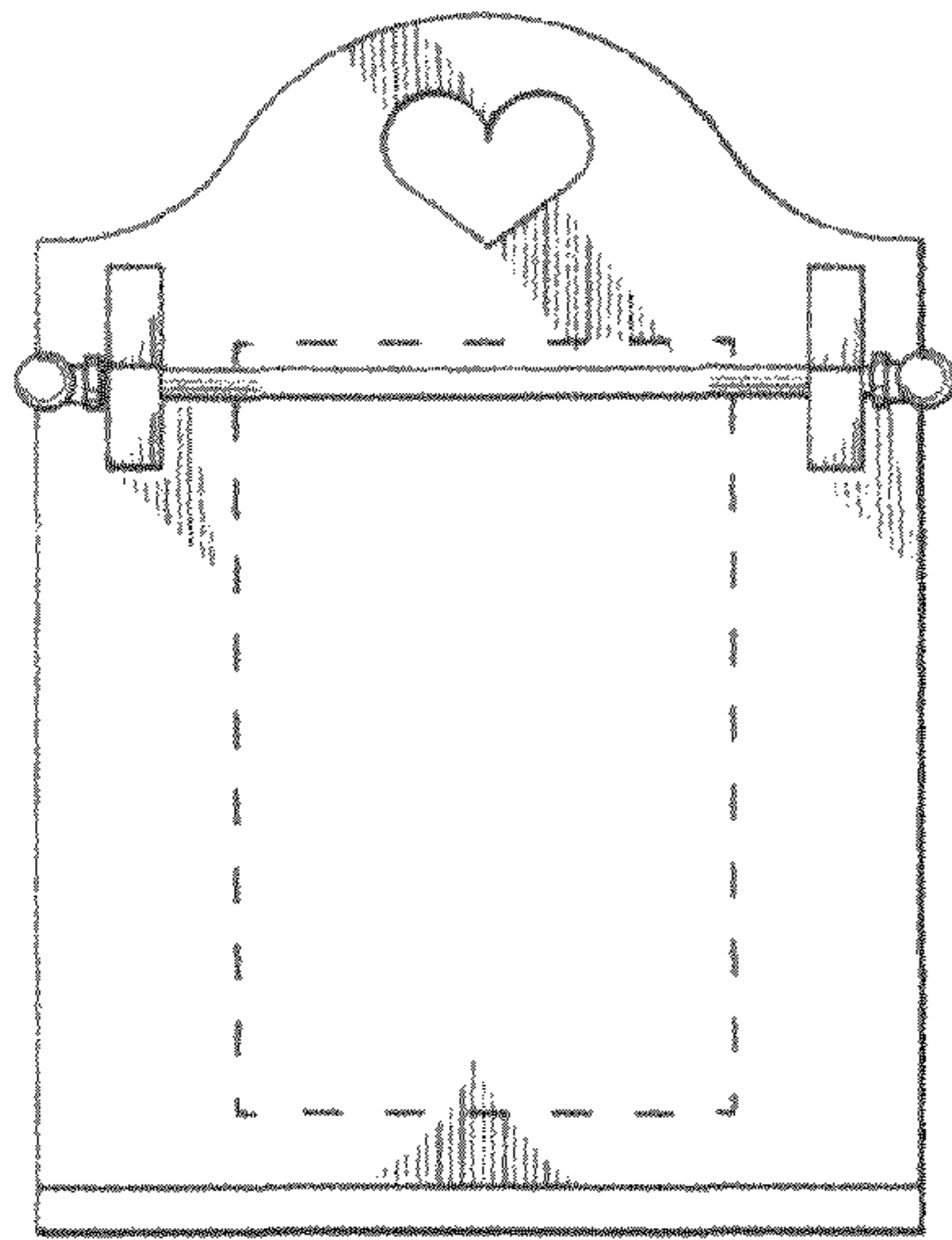


FIG. 2

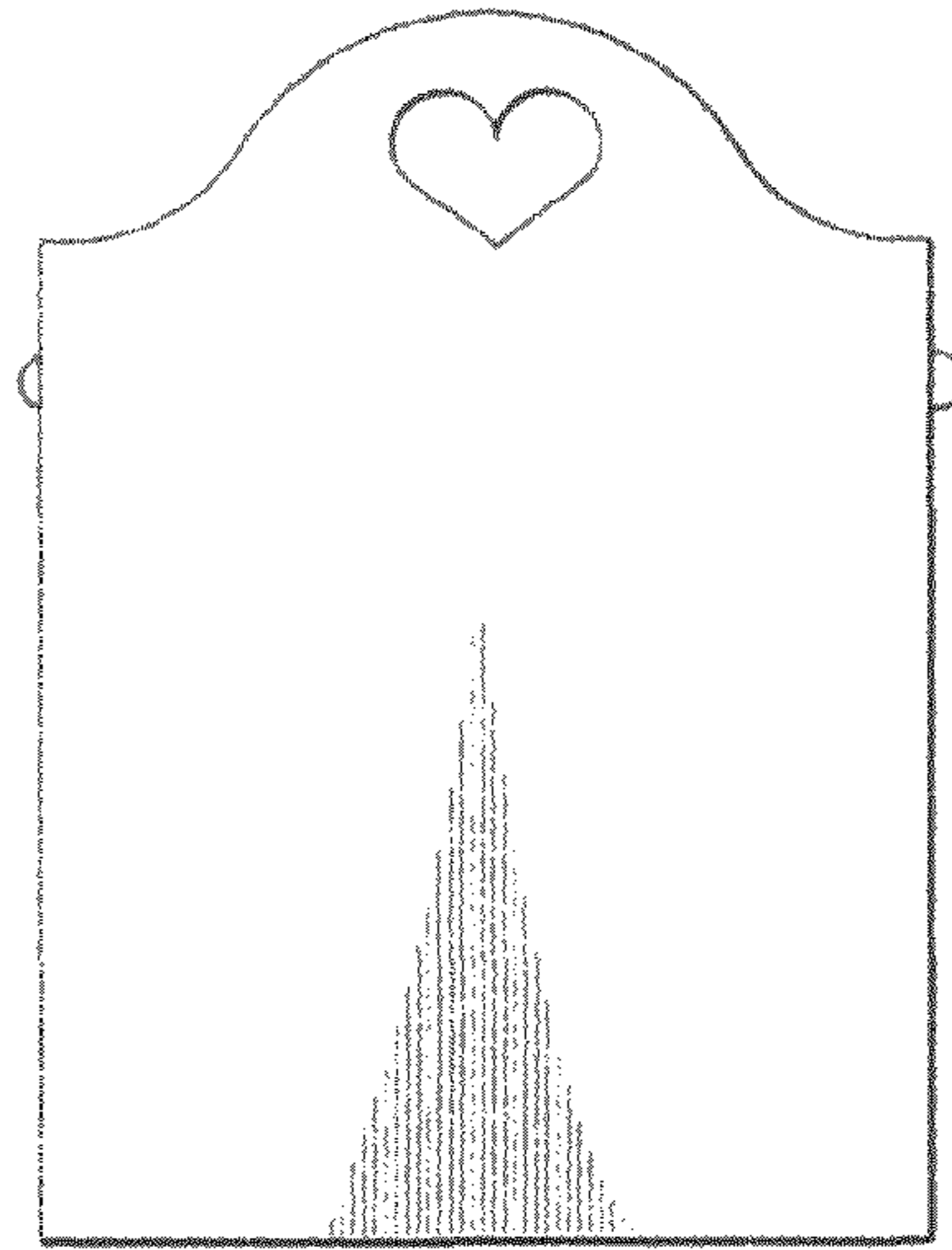


FIG. 3

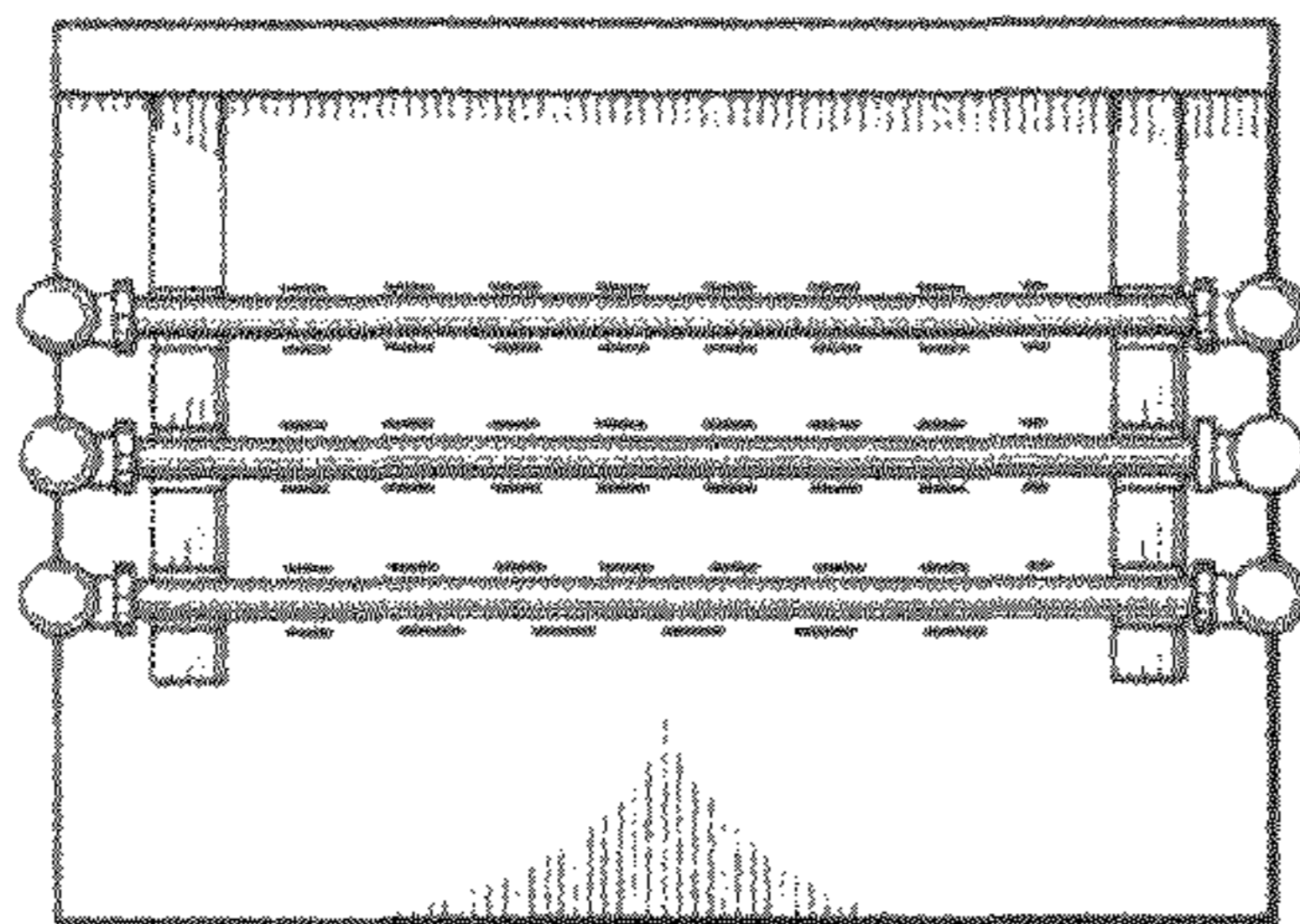


FIG. 4

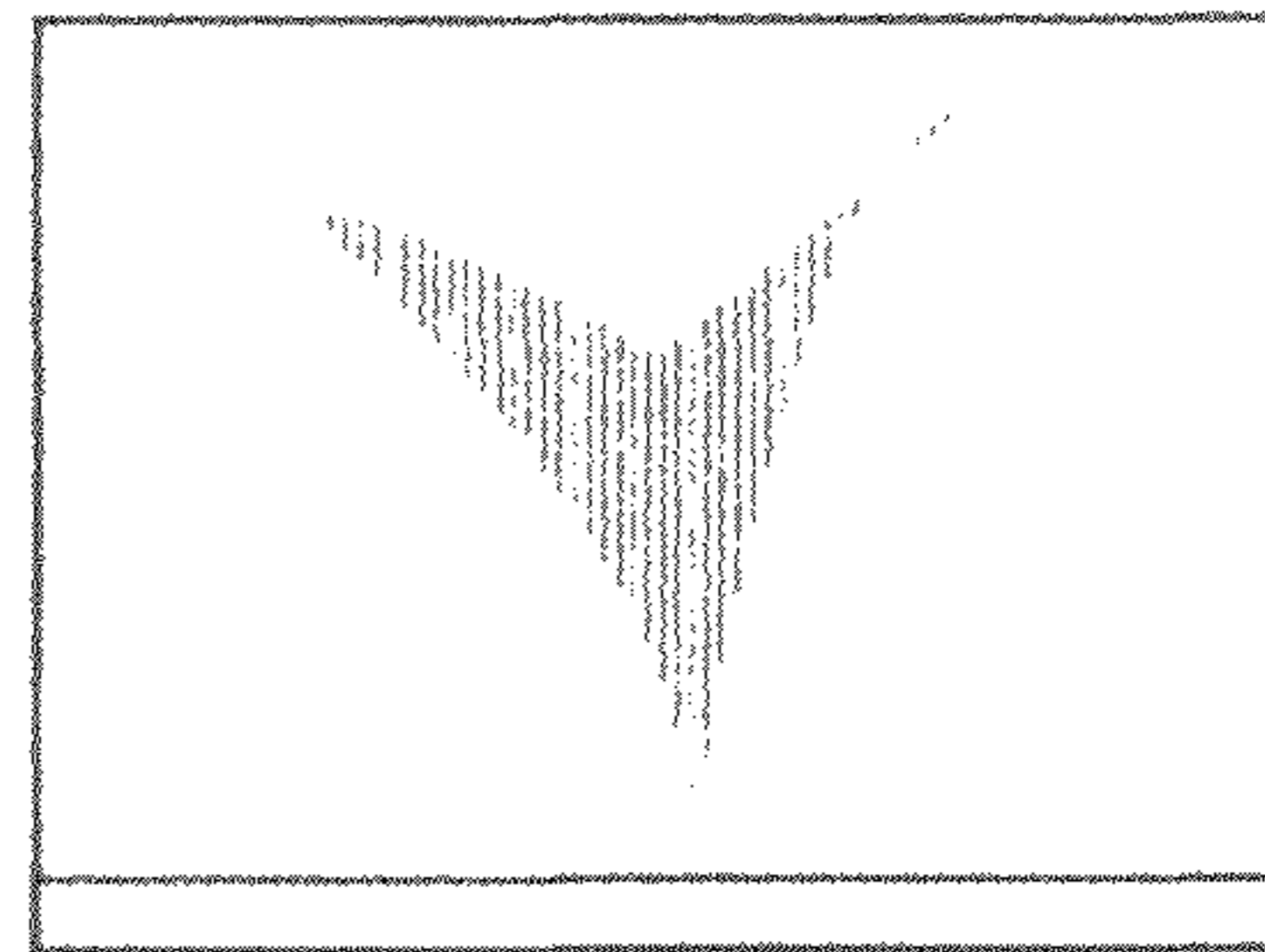


FIG. 5

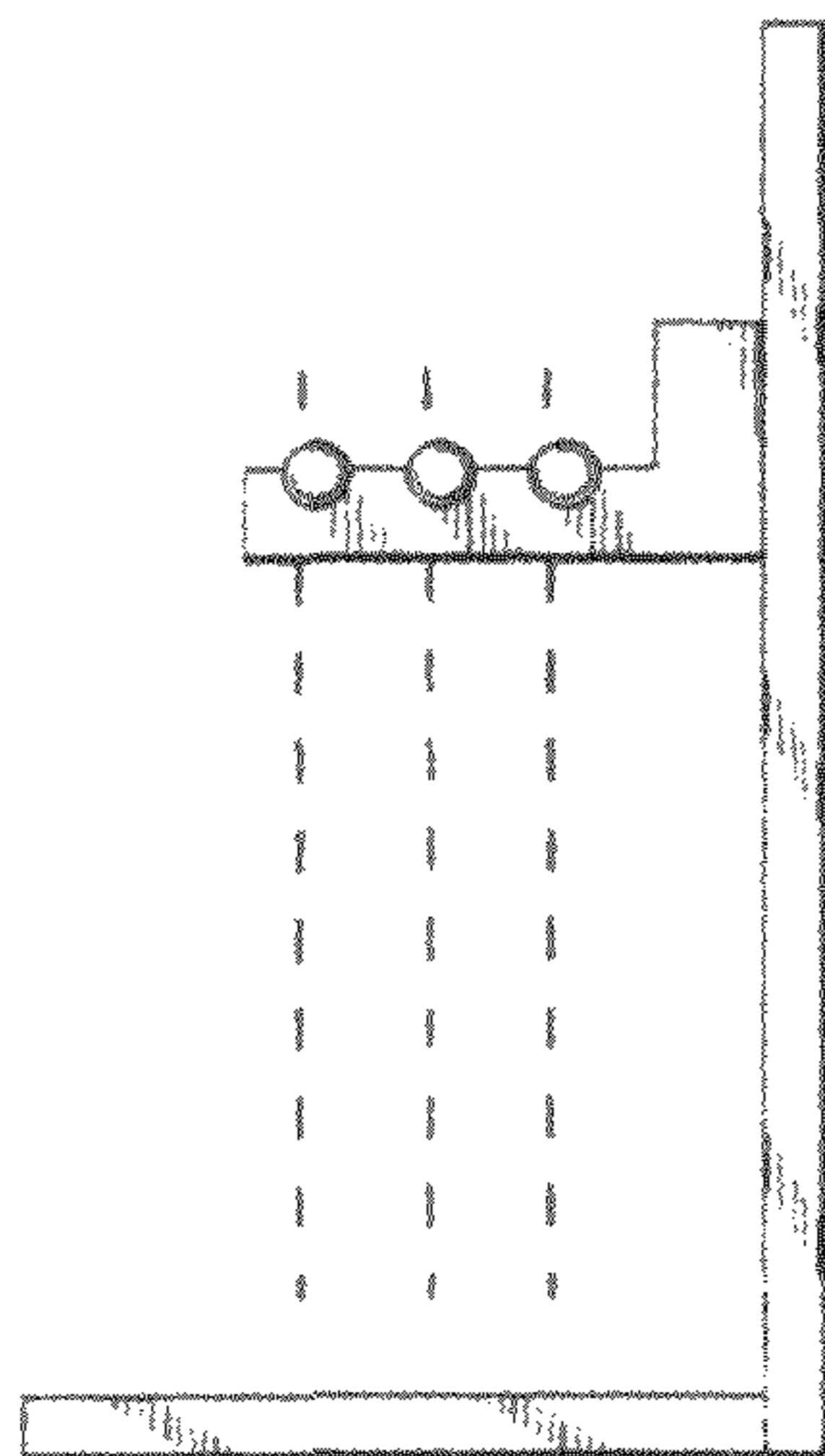


FIG. 6

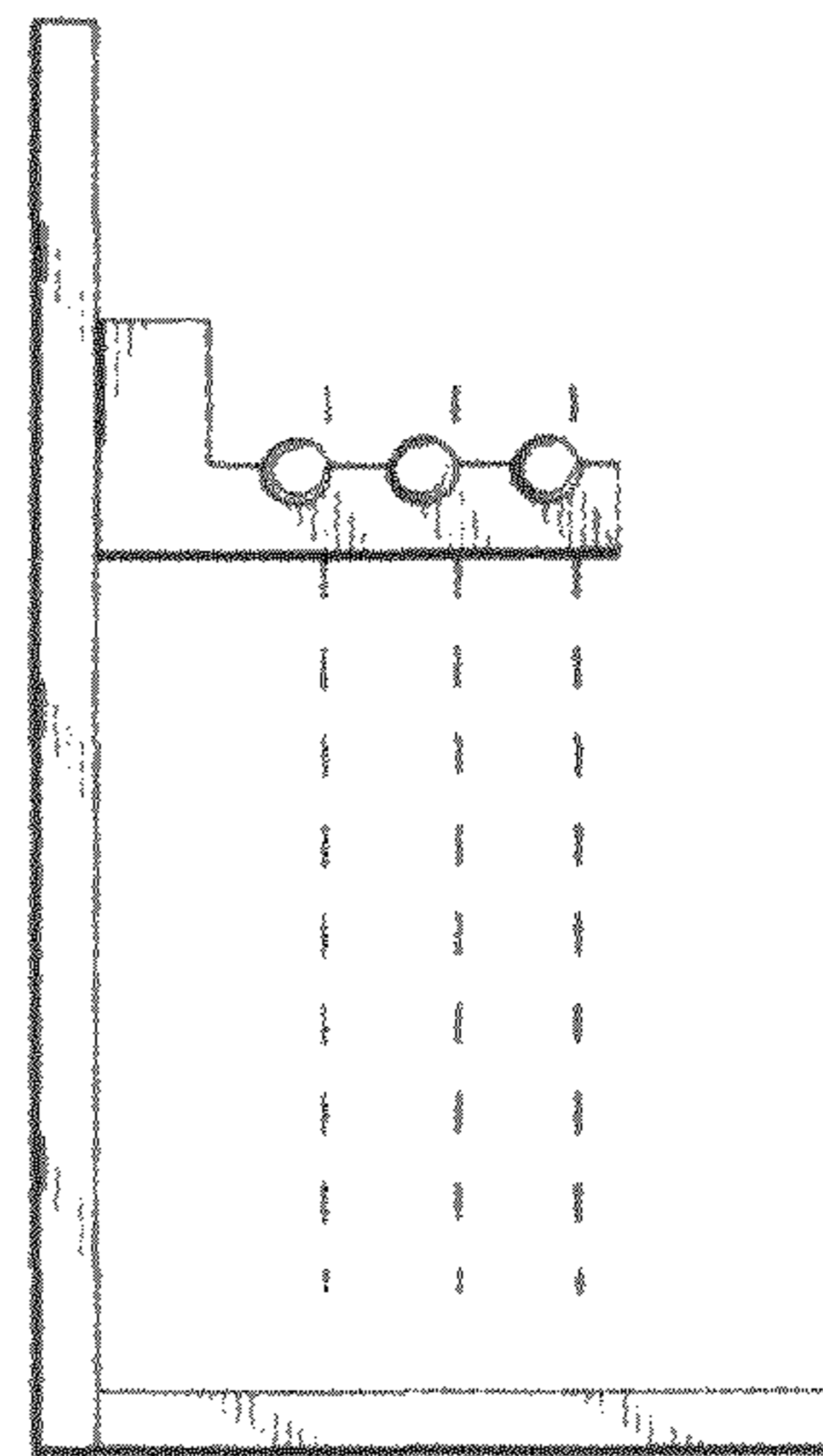


FIG. 7