

US00D692260S

(12) **United States Design Patent**  
**Rodormer**

(10) **Patent No.:** **US D692,260 S**  
(45) **Date of Patent:** **\*\* Oct. 29, 2013**

- (54) **STROLLER BLANKET**
- (71) Applicant: **Erika Kryn Rodormer**, Millburn, NJ  
(US)
- (72) Inventor: **Erika Kryn Rodormer**, Millburn, NJ  
(US)
- (73) Assignee: **Erika Kryn Rodormer**, Millburn, NJ  
(US)

D331,211 S *	11/1992	Harris	.....	D12/401
5,243,724 A	9/1993	Barnes		
D398,615 S *	9/1998	Rappolt	.....	D15/17
5,956,766 A	9/1999	Benway		
D433,661 S *	11/2000	Hanson	.....	D12/401
7,404,589 B2 *	7/2008	Carter	.....	296/153
7,431,395 B2	10/2008	Morgan et al.		
D602,839 S *	10/2009	Carrow	.....	D12/401
D614,902 S *	5/2010	Powell	.....	D6/611
D658,565 S *	5/2012	Akmal	.....	D12/401
D669,839 S *	10/2012	Valenta et al.	.....	D12/403
2008/0222809 A1	9/2008	Okell		

(\*\*) Term: **14 Years**

\* cited by examiner

(21) Appl. No.: **29/442,024**

*Primary Examiner* — Katrina A Betton

(22) Filed: **Nov. 15, 2012**

(51) **LOC (9) Cl.** ..... **06-13**

(52) **U.S. Cl.**  
USPC ..... **D6/611**

(58) **Field of Classification Search**  
USPC ..... D6/611, 610, 596, 601, 602, 603, 615,  
D6/617, 621; D7/332, 334-337;  
D12/401-405; 135/87, 88.01, 95;  
150/165-167, 158, 154; 280/770;  
296/136.01, 136.1, 136.11

See application file for complete search history.

(56) **References Cited**

**U.S. PATENT DOCUMENTS**

1,376,625 A *	5/1921	Johnston	.....	297/467
4,824,168 A *	4/1989	Makoski	.....	297/229
D307,347 S *	4/1990	Gibson	.....	D34/35

(57) **CLAIM**

The ornamental design for stroller blanket, as shown and described.

**DESCRIPTION**

FIG. 1 is a perspective view of the stroller blanket attached to the stroller, wherein the stroller is shown in dotted lines for illustrative purposes only and forms no part of the claimed design;

FIG. 2 is a front view thereof;

FIG. 3 is a rear view thereof;

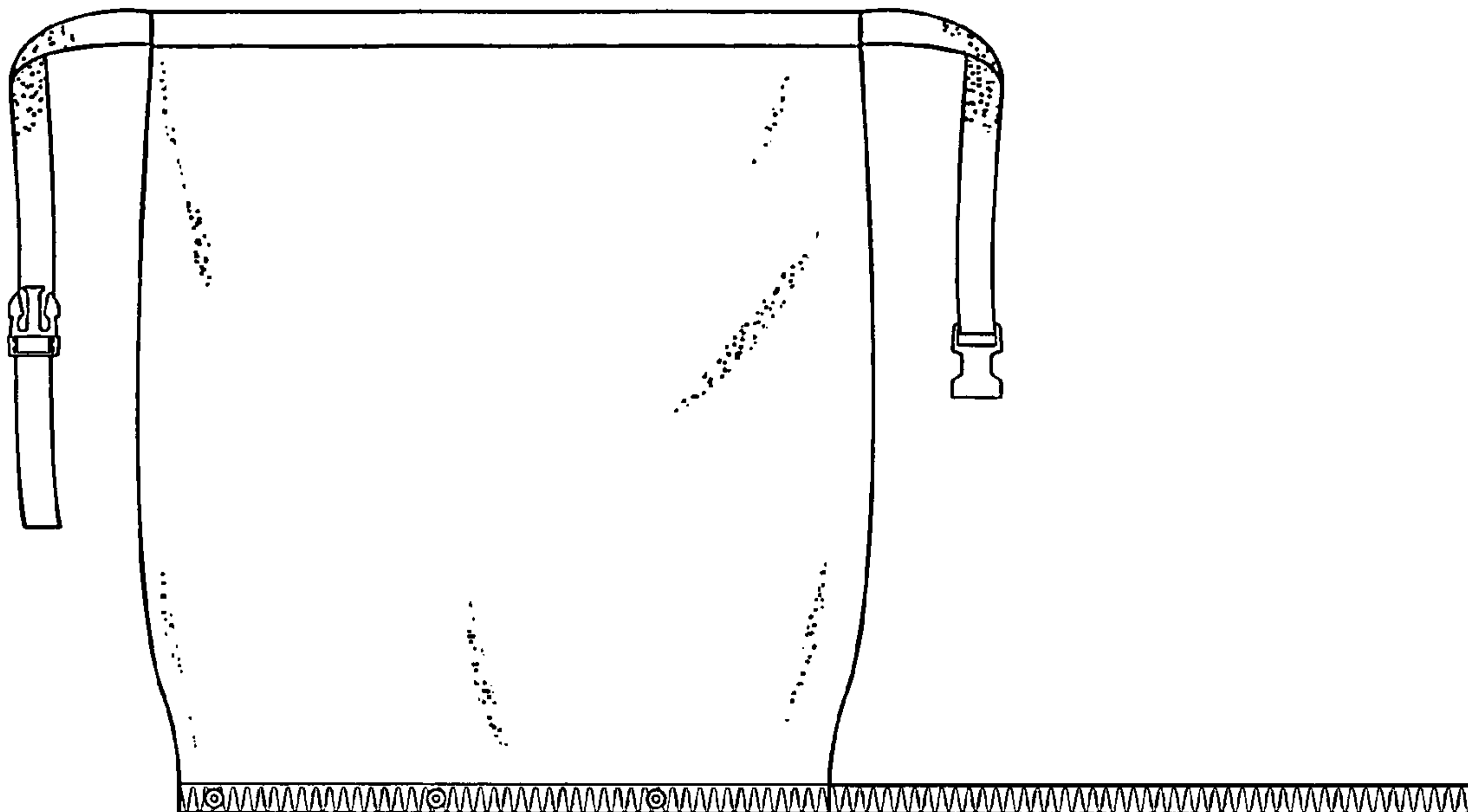
FIG. 4 is a bottom view thereof;

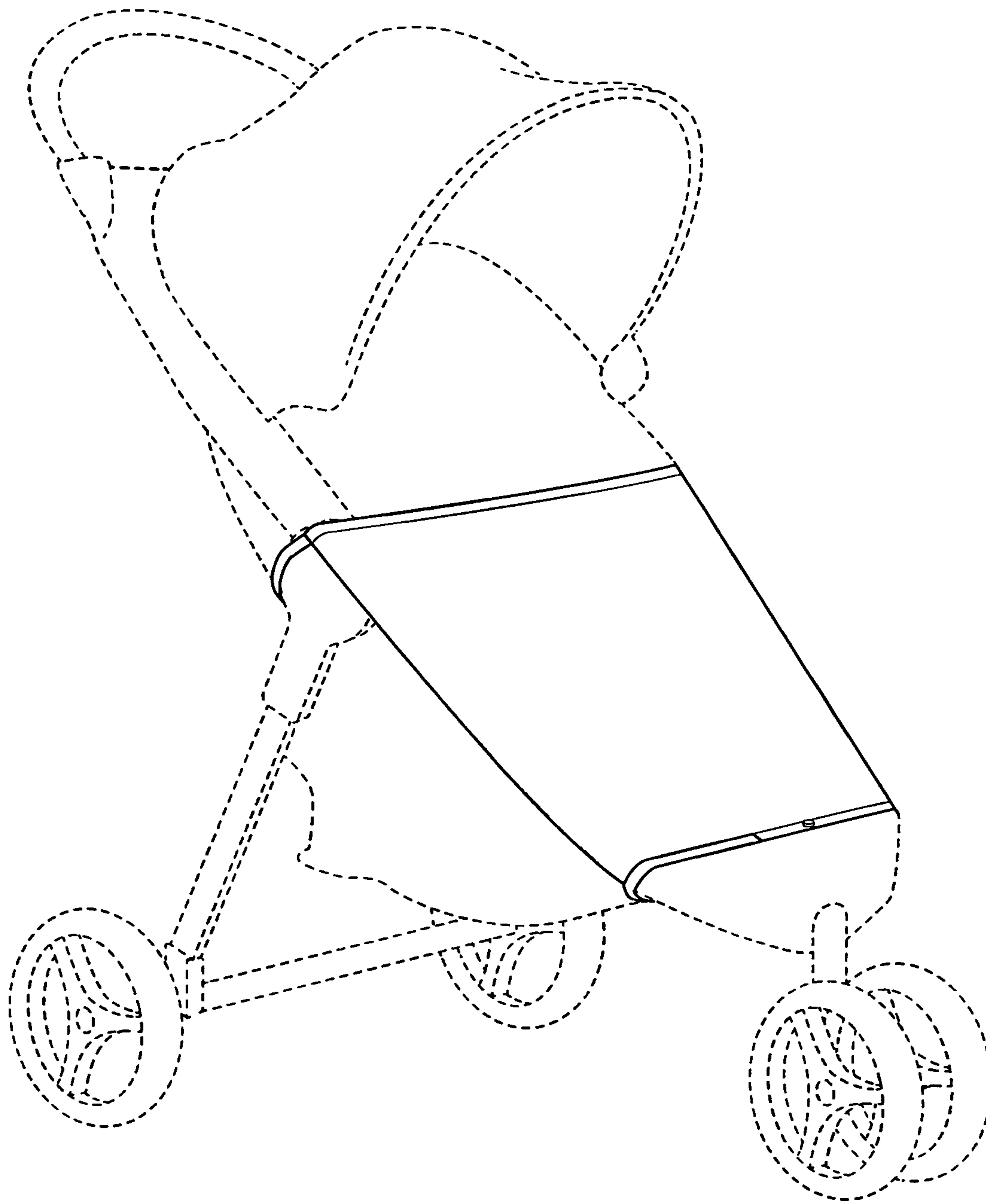
FIG. 5 is a top view thereof;

FIG. 6 is a left view thereof; and,

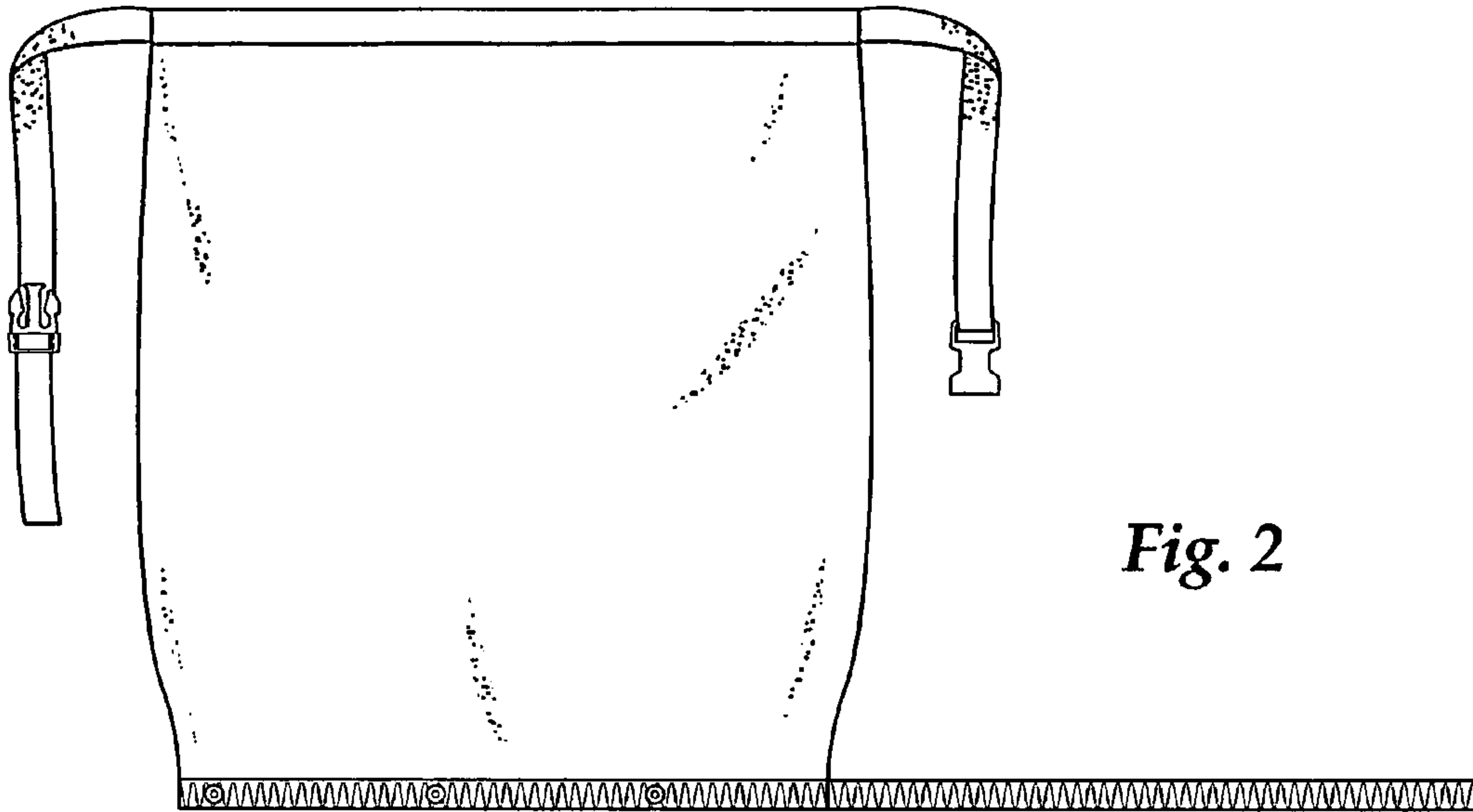
FIG. 7 is a right view thereof.

**1 Claim, 3 Drawing Sheets**

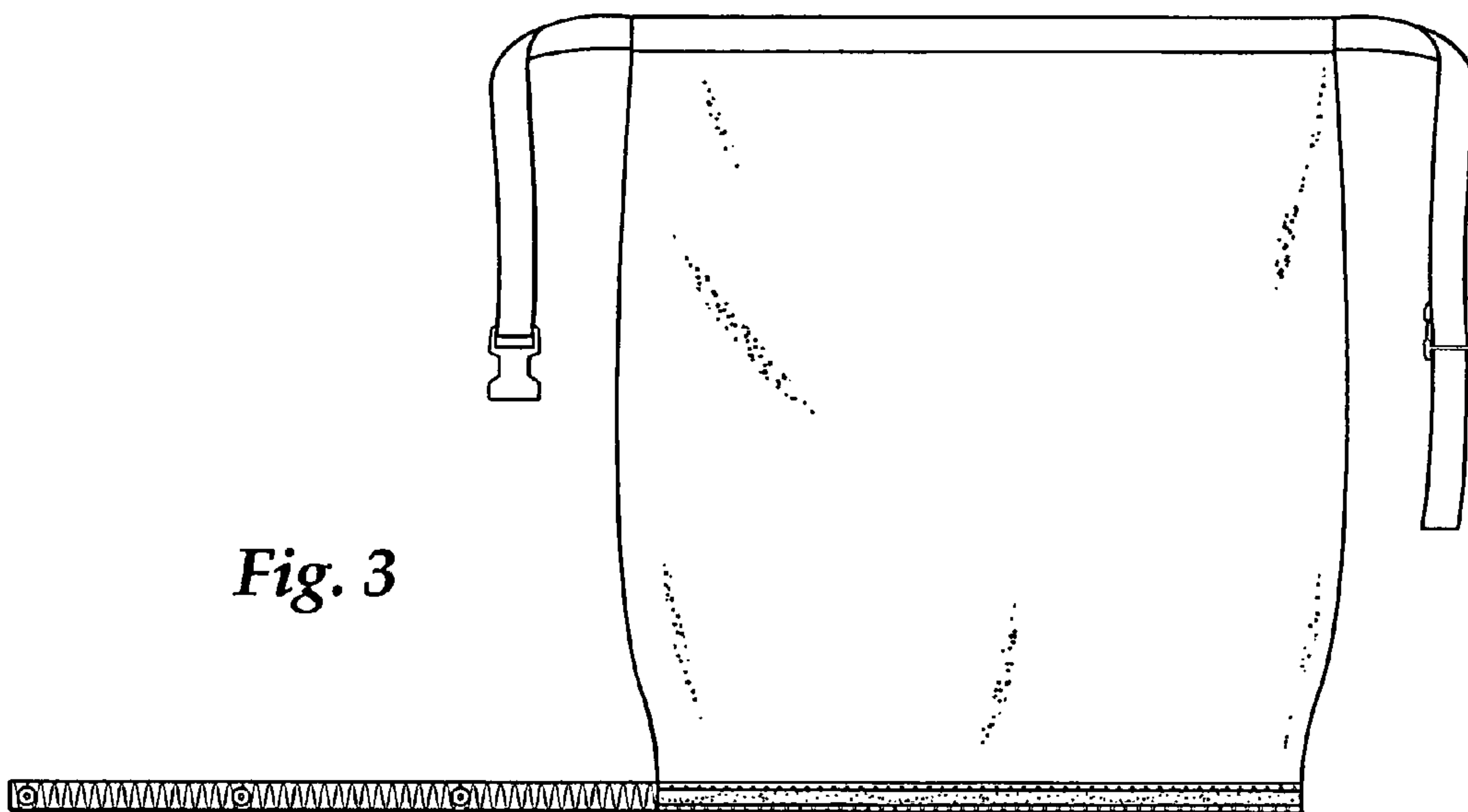




*Fig. 1*



*Fig. 2*



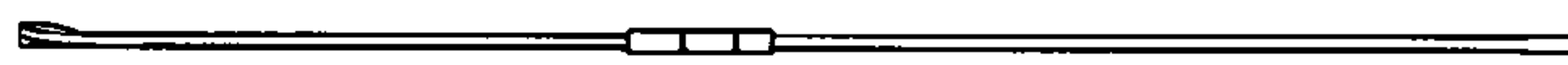
*Fig. 3*



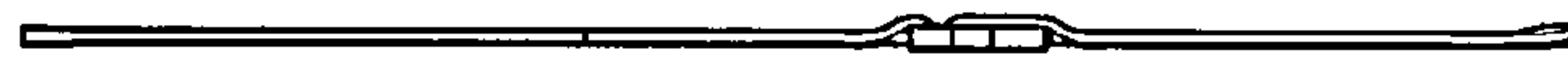
*Fig. 4*



*Fig. 5*



*Fig. 6*



*Fig. 7*