

US00D692253S

(12) **United States Design Patent**
Cute

(10) **Patent No.:** **US D692,253 S**
(45) **Date of Patent:** **** Oct. 29, 2013**

- (54) **POT HOLDER WITH FLOWER**
- (71) Applicant: **Sun Hill Industries, Inc.**, Fairfield, CA (US)
- (72) Inventor: **Joseph B. Cute**, Geneva, IL (US)
- (73) Assignee: **Sun Hill Industries, Inc.**, Fairfield, CA (US)

D250,686 S *	1/1979	Ashcraft	D11/143
D444,005 S *	6/2001	Walters-Dowding et al. .	D6/462
D540,600 S *	4/2007	Graf	D6/557
D541,092 S *	4/2007	Graf	D6/557
D545,079 S *	6/2007	Peterson	D6/403
D579,230 S *	10/2008	Denham	D6/405
D632,505 S *	2/2011	Yeh	D6/403
D648,567 S *	11/2011	Cute	D6/404
D648,954 S *	11/2011	Cute	D6/404
D648,955 S *	11/2011	Cute	D6/404
D658,906 S *	5/2012	Cute	D6/403

(**) Term: **14 Years**

* cited by examiner

(21) Appl. No.: **29/433,401**

Primary Examiner — Garth Rademaker

(22) Filed: **Sep. 28, 2012**

(74) *Attorney, Agent, or Firm* — Riverside Law LLP

(51) **LOC (9) Cl.** **11-02**

(57) **CLAIM**

(52) **U.S. Cl.**
USPC **D6/404**

I claim the ornamental design for a pot holder with flower, as shown and described.

(58) **Field of Classification Search**
USPC D6/403-405, 556-558; D8/1; D11/143-156, 164; D19/77, 80, 81, D19/84; D25/100; D26/9-11, 16, 19; D34/1, 2, 4-6; D99/5, 19; 47/17, 32.4, 47/32.5, 33, 39, 41.01, 41.1, 41.11-41.15, 47/44-47, 65, 65.5, 65.9, 66.1, 66.6, 66.7, 47/67-71

DESCRIPTION

See application file for complete search history.

FIG. 1 is a perspective view of a pot holder with flower; FIG. 2 is a front view thereof, shown at a reduced scale; FIG. 3 is a rear view thereof; FIG. 4 is a right side view thereof; FIG. 5 is a left side view thereof; FIG. 6 is a top view thereof; FIG. 7 is a bottom view thereof; and, FIG. 8 is a perspective view thereof, shown in an environment of use.

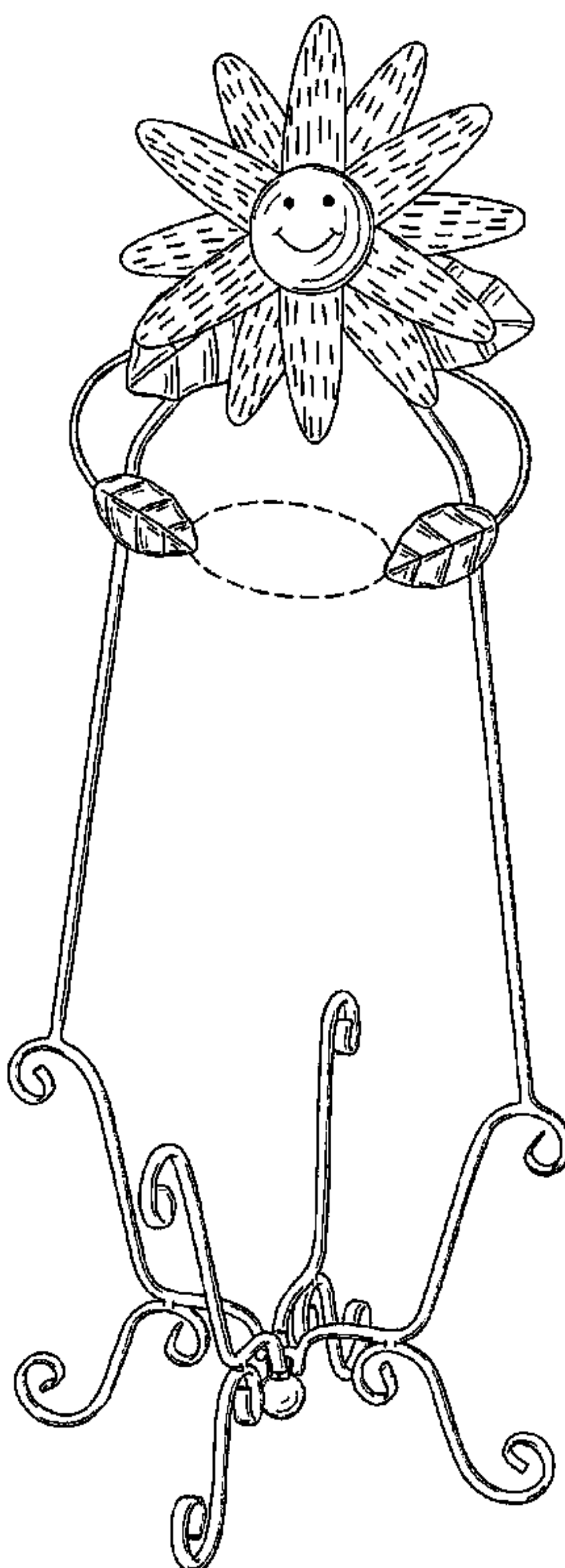
The broken lines depict environmental subject matter only and form no part of the claimed design.

(56) **References Cited**

U.S. PATENT DOCUMENTS

D36,086 S *	9/1902	Olsen	D6/403
2,001,646 A *	5/1935	Abitsch	D11/143

1 Claim, 5 Drawing Sheets



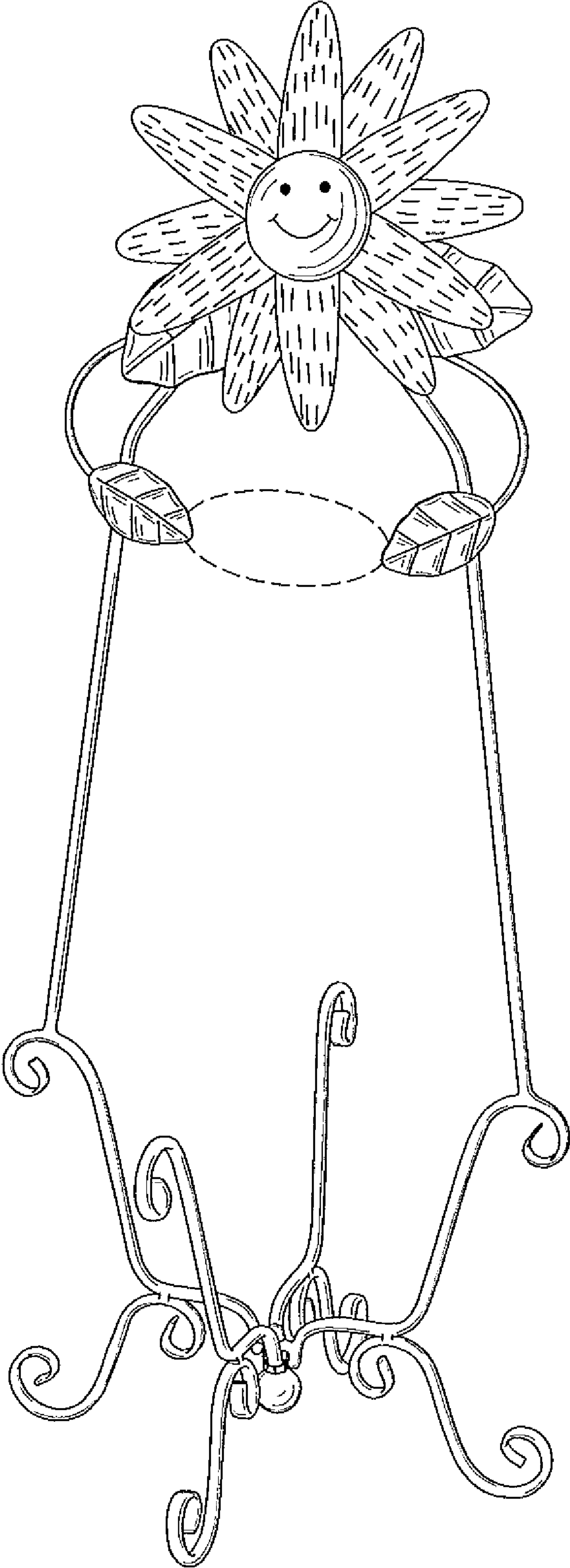


FIG. 1

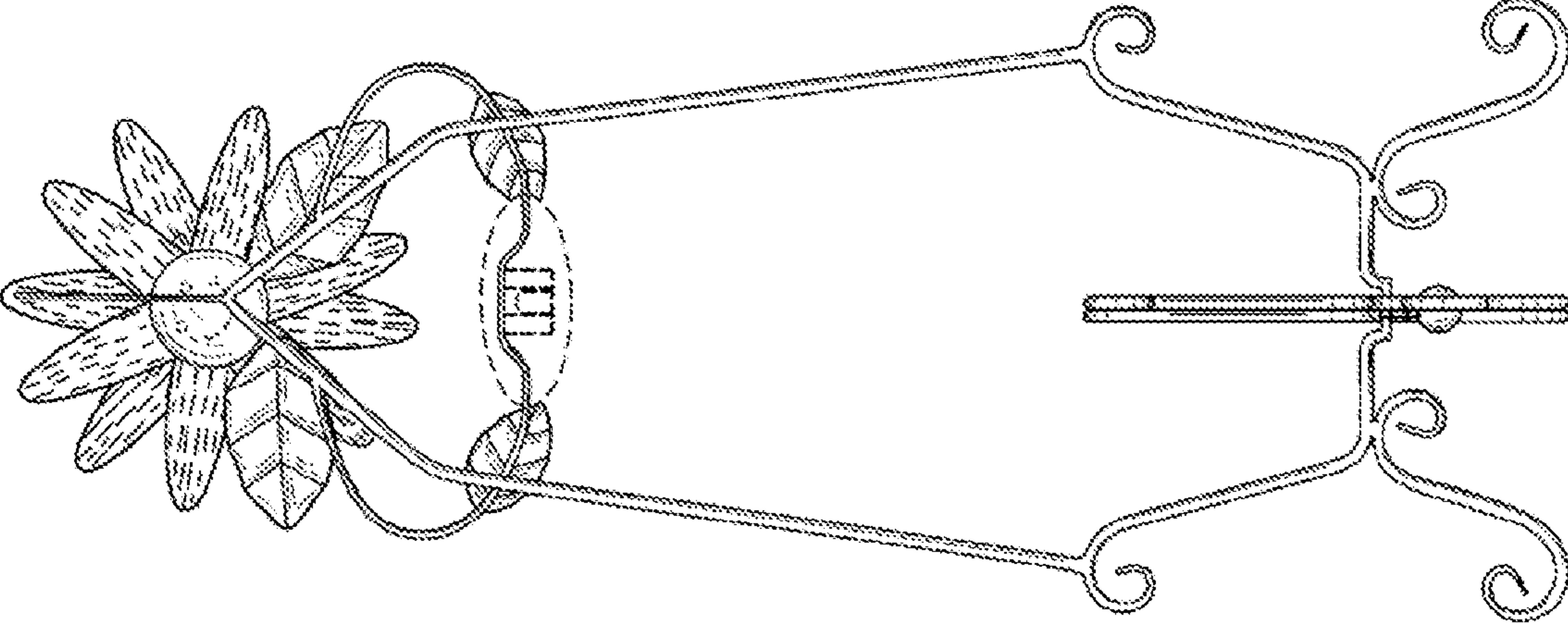


FIG. 2

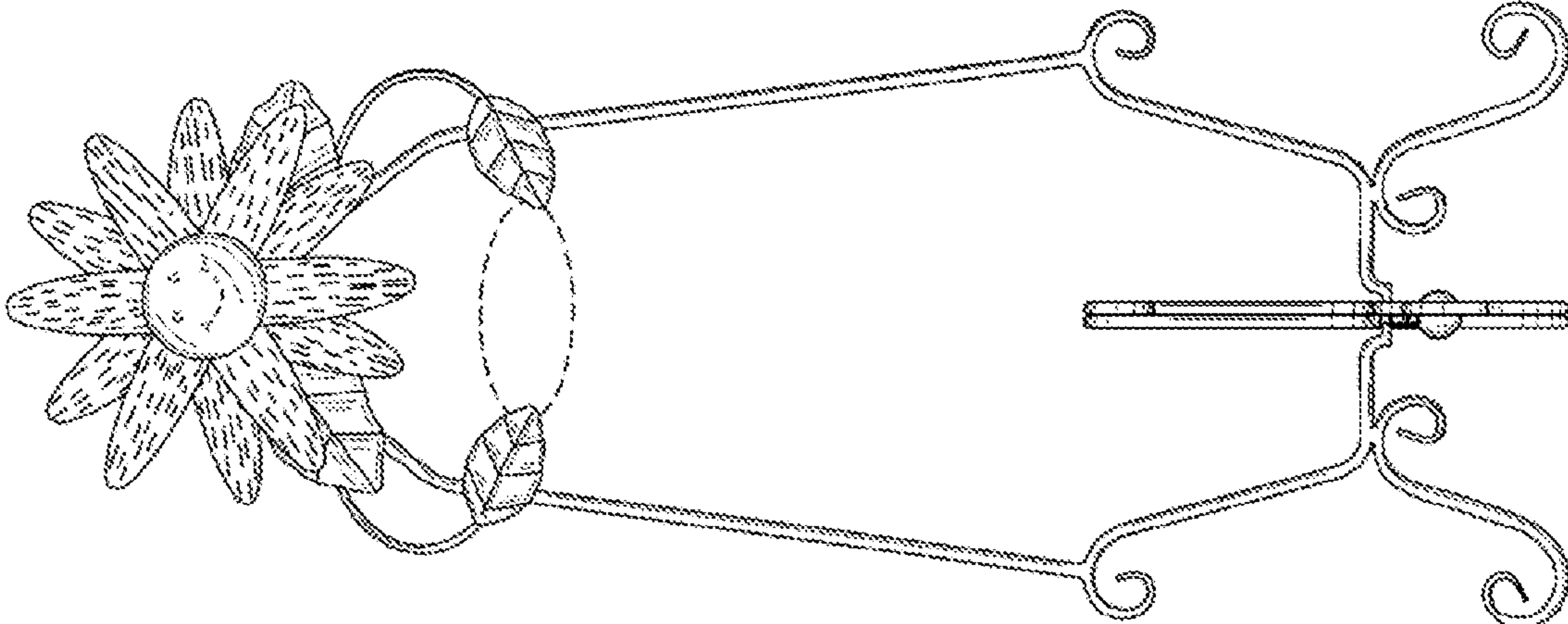


FIG. 3

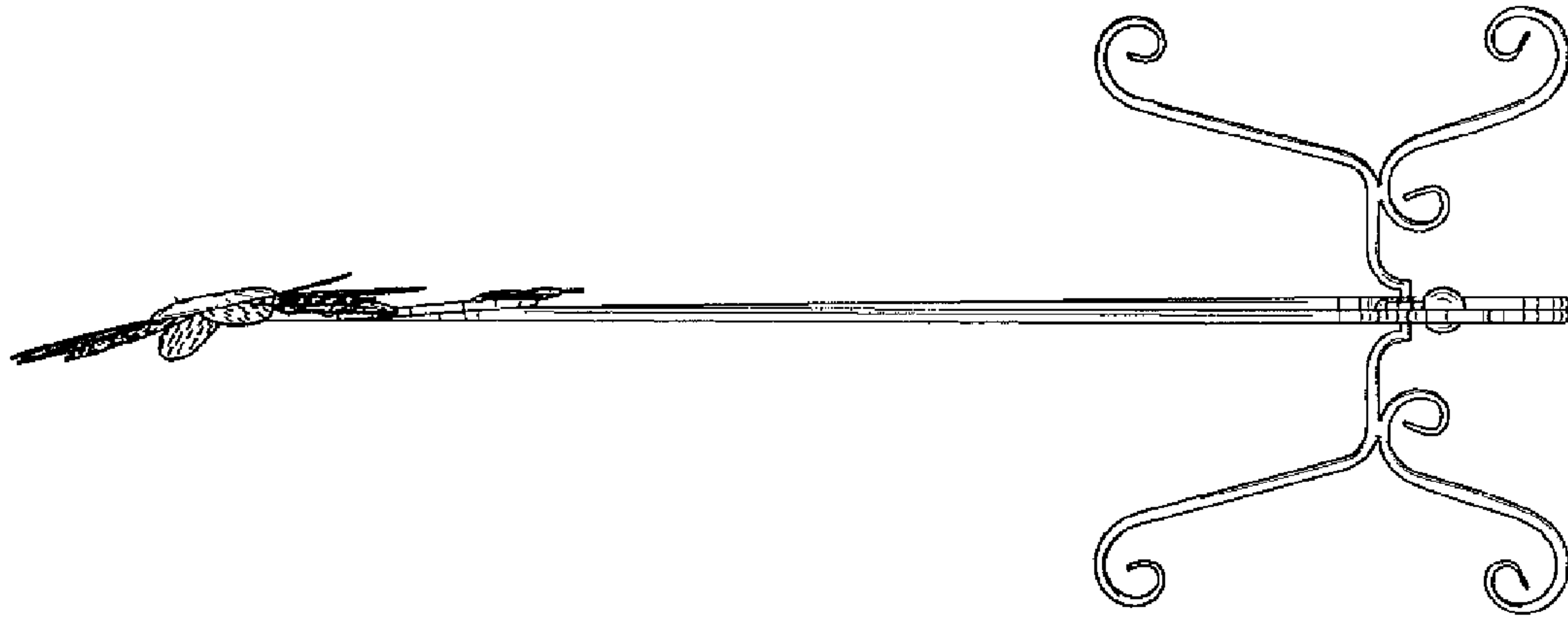


FIG. 5

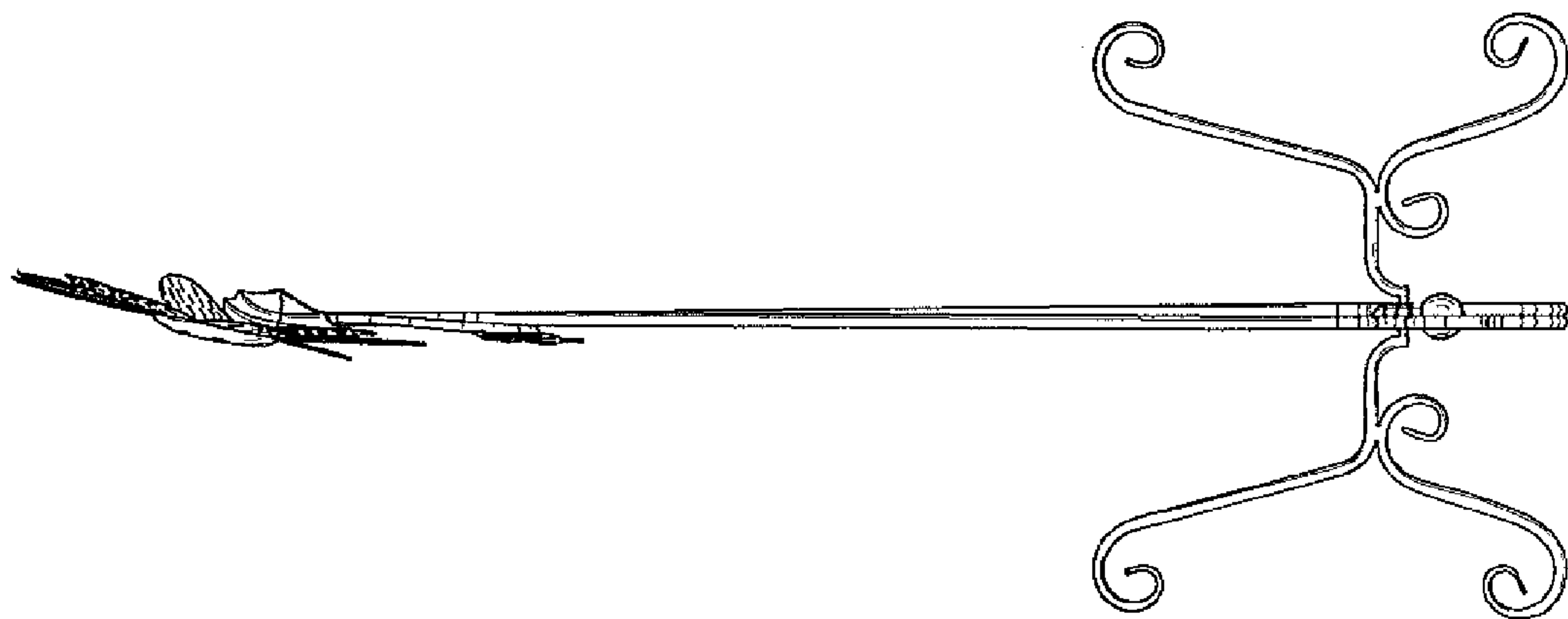


FIG. 4

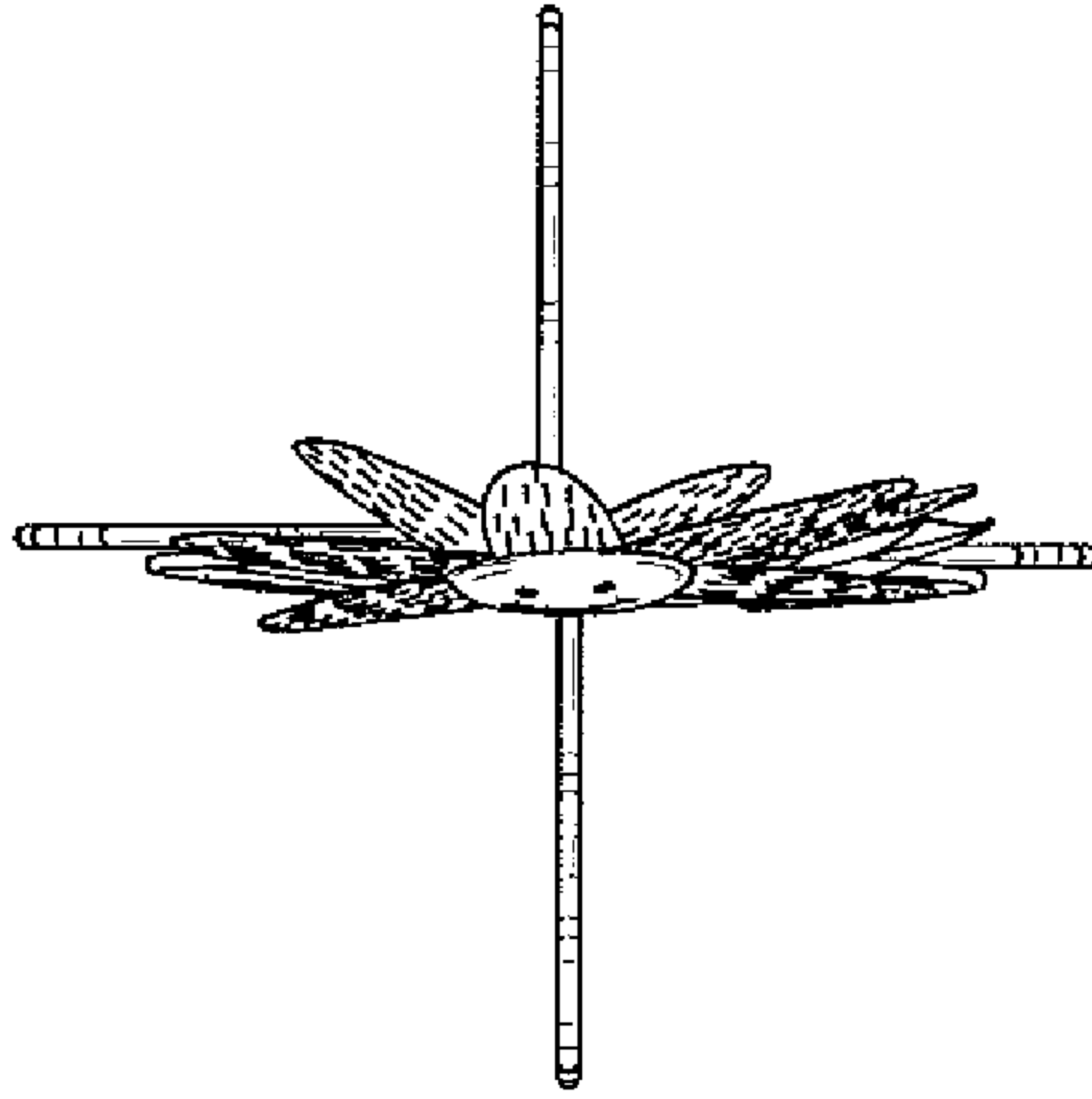


FIG. 6

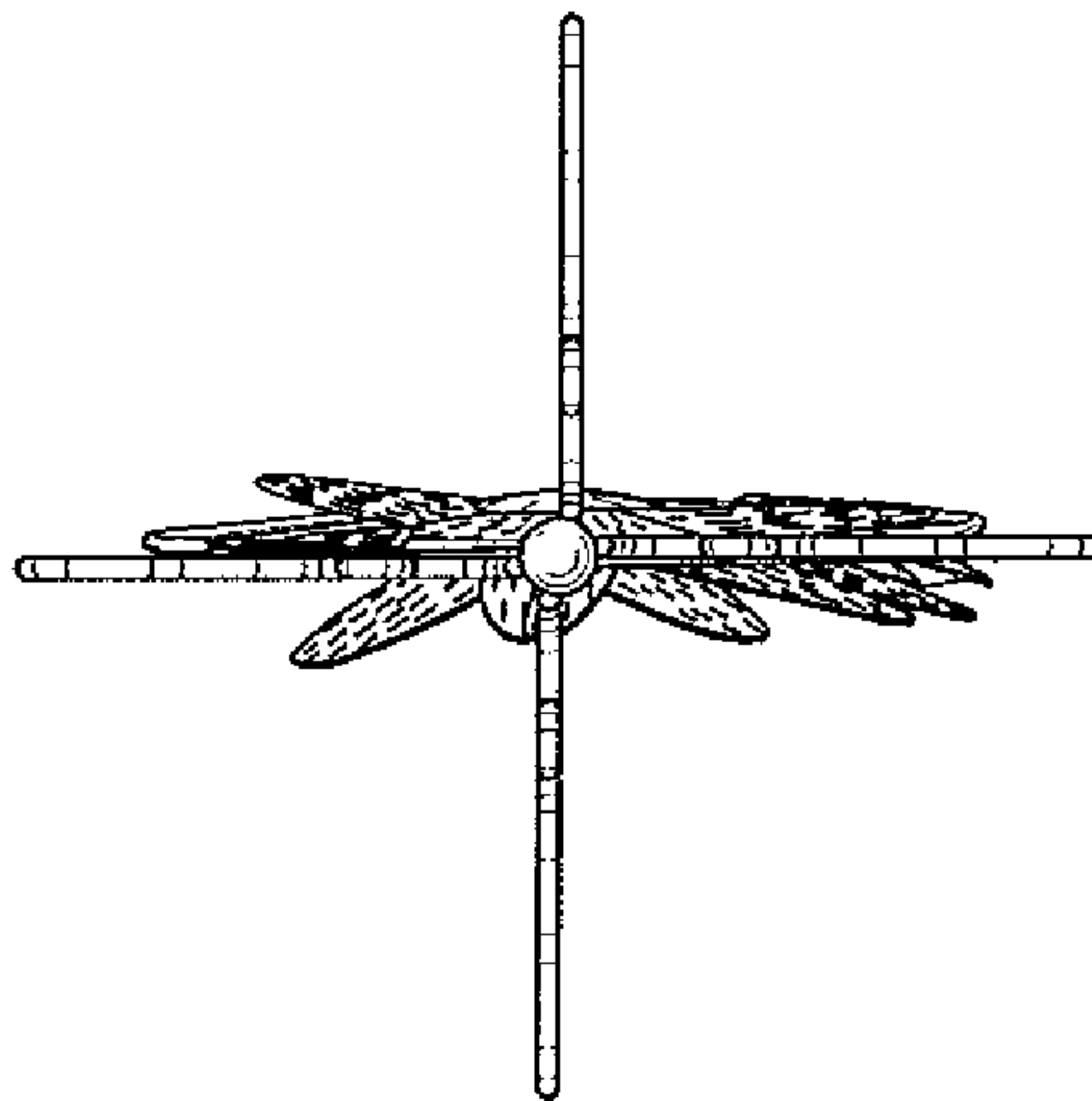


FIG. 7

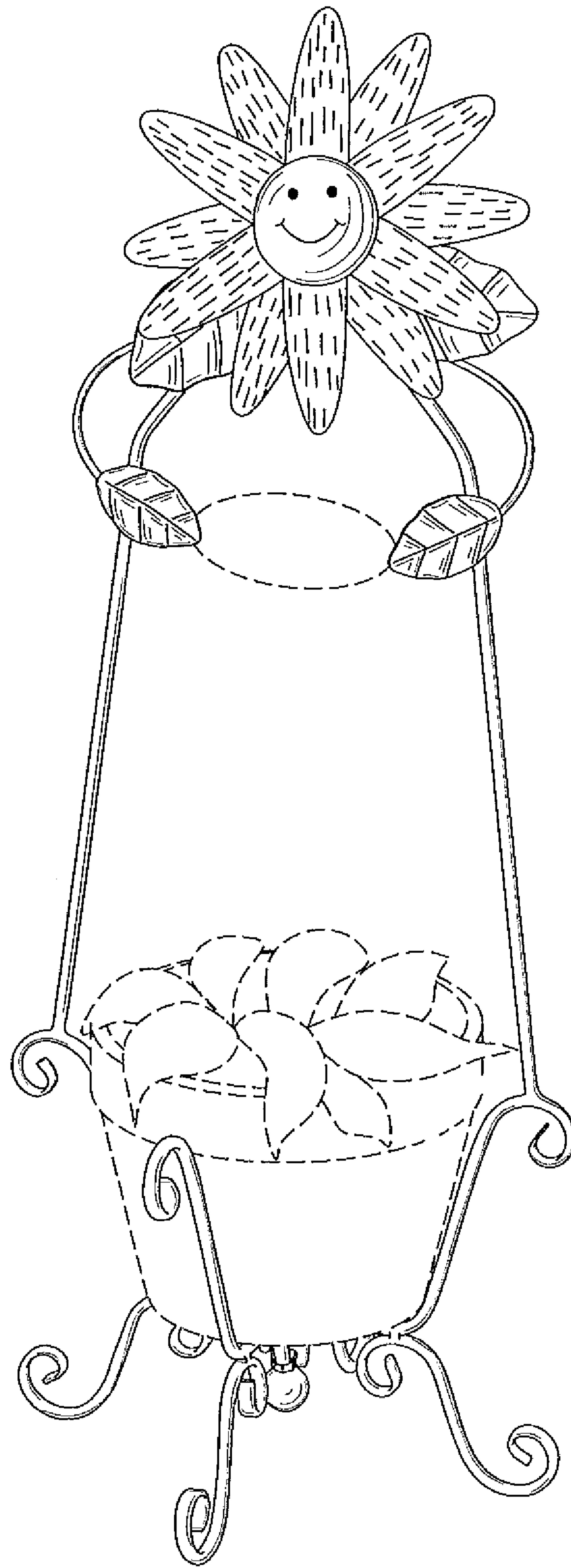


FIG. 8