

US00D692252S

(12) **United States Design Patent**
Cute

(10) **Patent No.:** **US D692,252 S**

(45) **Date of Patent:** **** Oct. 29, 2013**

(54) **HANGER WITH BIRD**

(75) Inventor: **Joseph E. Cute**, Geneva, IL (US)

(73) Assignee: **Sun Hill Industries, Inc.**, Fairfield, CA (US)

(**) Term: **14 Years**

(21) Appl. No.: **29/430,952**

(22) Filed: **Aug. 31, 2012**

(51) **LOC (9) Cl.** **11-02**

(52) **U.S. Cl.**
USPC **D6/404**

(58) **Field of Classification Search**
USPC D6/403-405, 556-558; D8/1;
D11/143-156, 164; D19/77, 80, 81,
D19/84; D25/100; D26/9-11, 16, 19;
D34/1, 2, 4-6; D99/5, 19; 47/17, 32.4,
47/32.5, 33, 39, 41.01, 41.1, 41.11-41.15,
47/44-47, 65, 65.5, 65.9, 66.1, 66.6, 66.7,
47/67-71

See application file for complete search history.

(56) **References Cited**

U.S. PATENT DOCUMENTS

D138,055 S * 6/1944 Cristonello D11/149
D309,587 S * 7/1990 Vicenes D11/149
D379,037 S * 5/1997 Moran, III D6/405
6,035,576 A * 3/2000 Bozeman 47/47

D435,359 S * 12/2000 McCarron D6/403
D443,153 S * 6/2001 Thomas D6/404
D504,790 S * 5/2005 Ramsey D6/403
D517,343 S * 3/2006 Hayes D6/403
D542,567 S * 5/2007 Lepkowski D6/404
D545,079 S * 6/2007 Peterson D6/403
D637,833 S * 5/2011 Russell D6/405
D644,041 S * 8/2011 Bugio D6/462
D679,920 S * 4/2013 Terol D6/405

* cited by examiner

Primary Examiner — Garth Rademaker

(74) *Attorney, Agent, or Firm* — Riverside Law LLP

(57) **CLAIM**

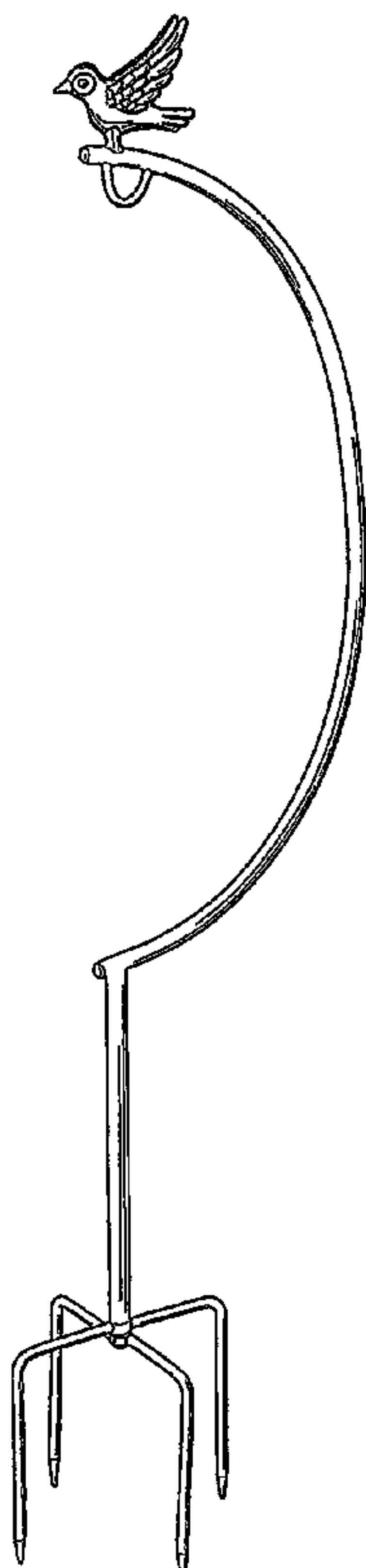
I claim the ornamental design for a hanger with bird, as shown and described.

DESCRIPTION

FIG. 1 is a perspective view of a hanger with bird;
FIG. 2 is a right side view thereof;
FIG. 3 is a left side view thereof;
FIG. 4 is a front view thereof;
FIG. 5 is a rear view thereof;
FIG. 6 is a top view thereof;
FIG. 7 is a bottom view thereof; and,
FIG. 8 is a perspective view thereof, shown in an environment of use.

The broken lines depict environmental subject matter only and form no part of the claimed design.

1 Claim, 5 Drawing Sheets



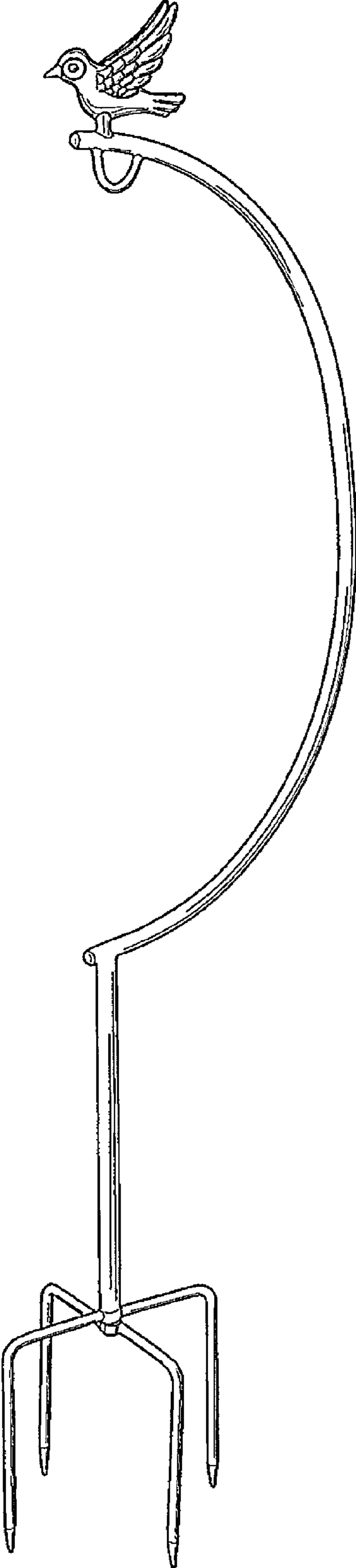


FIG. 1

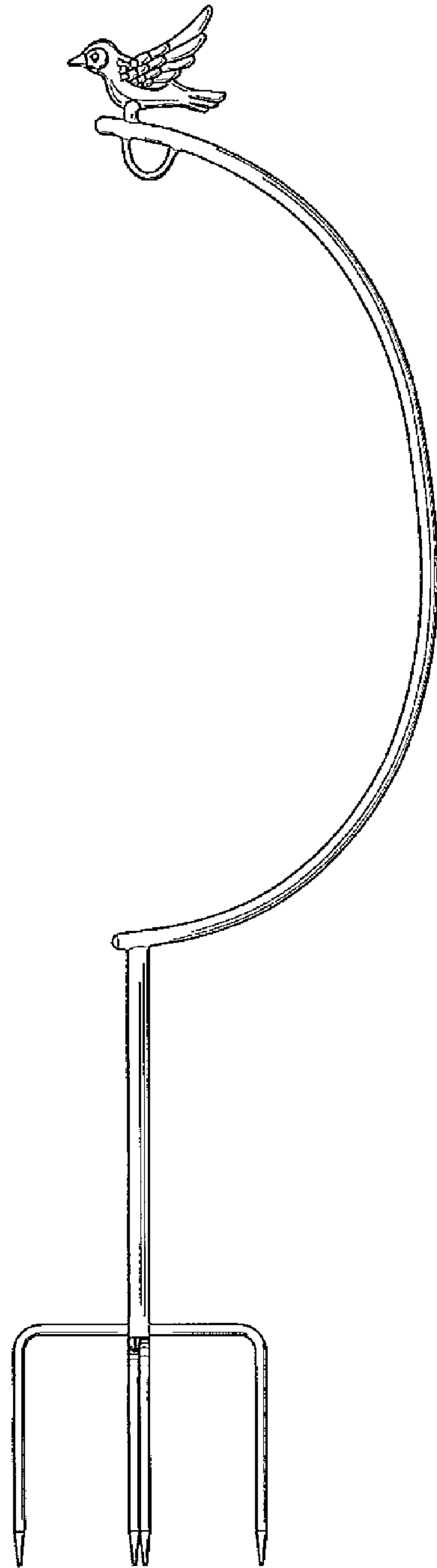


FIG. 2

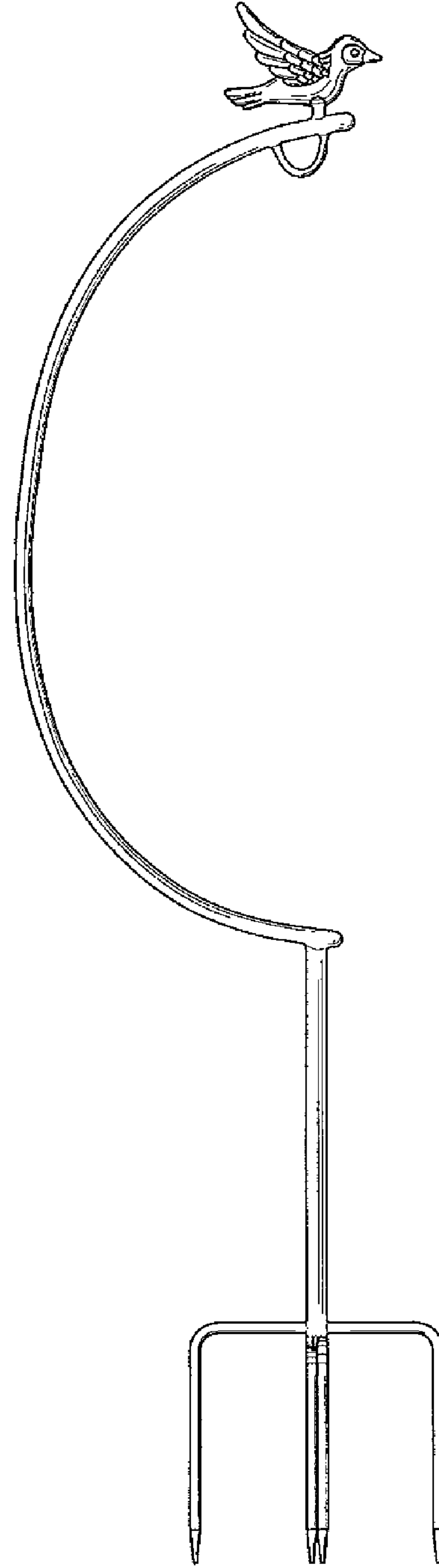


FIG. 3

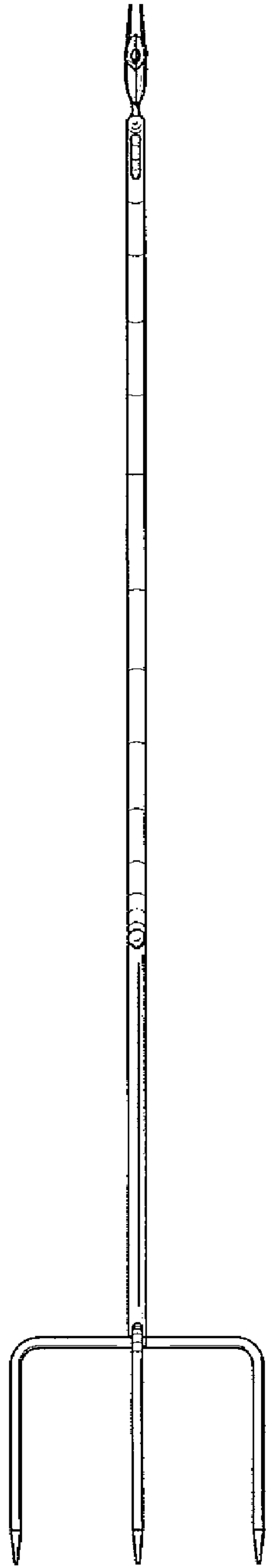


FIG. 4

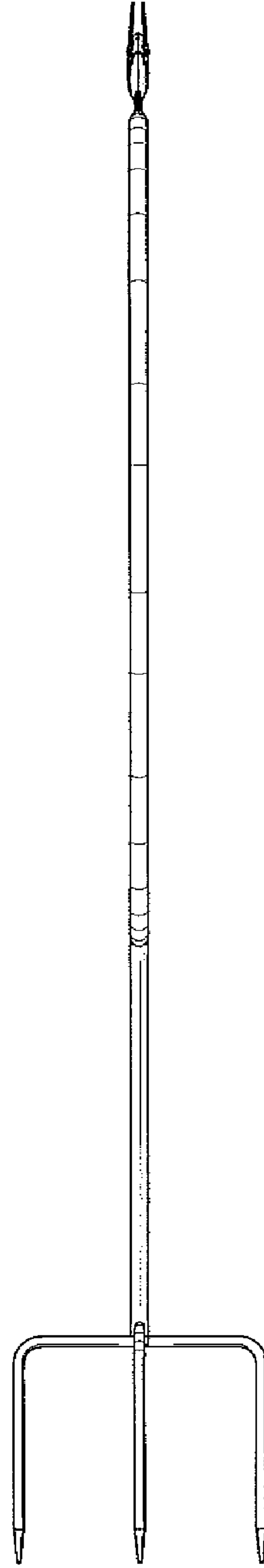


FIG. 5

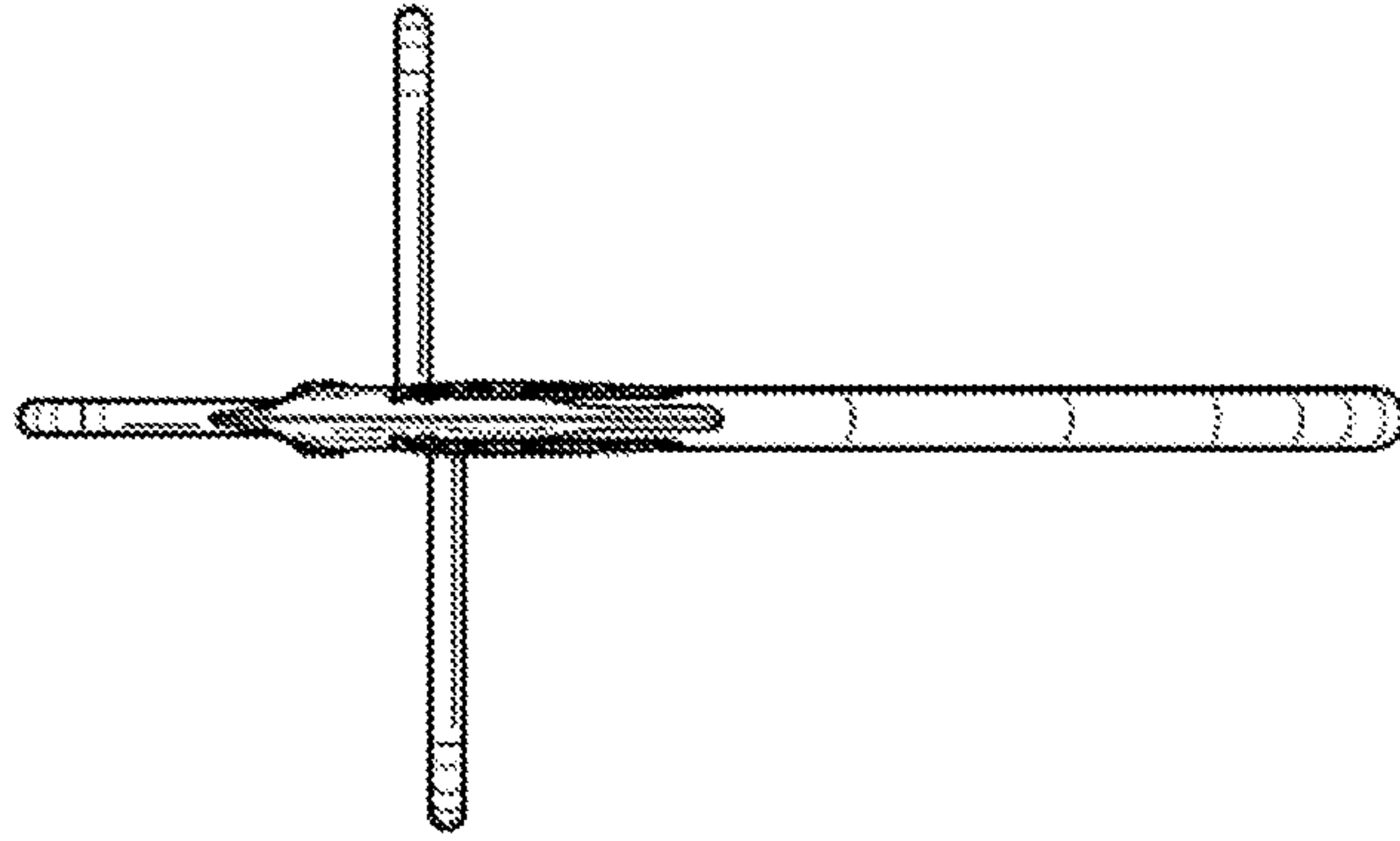


FIG. 6

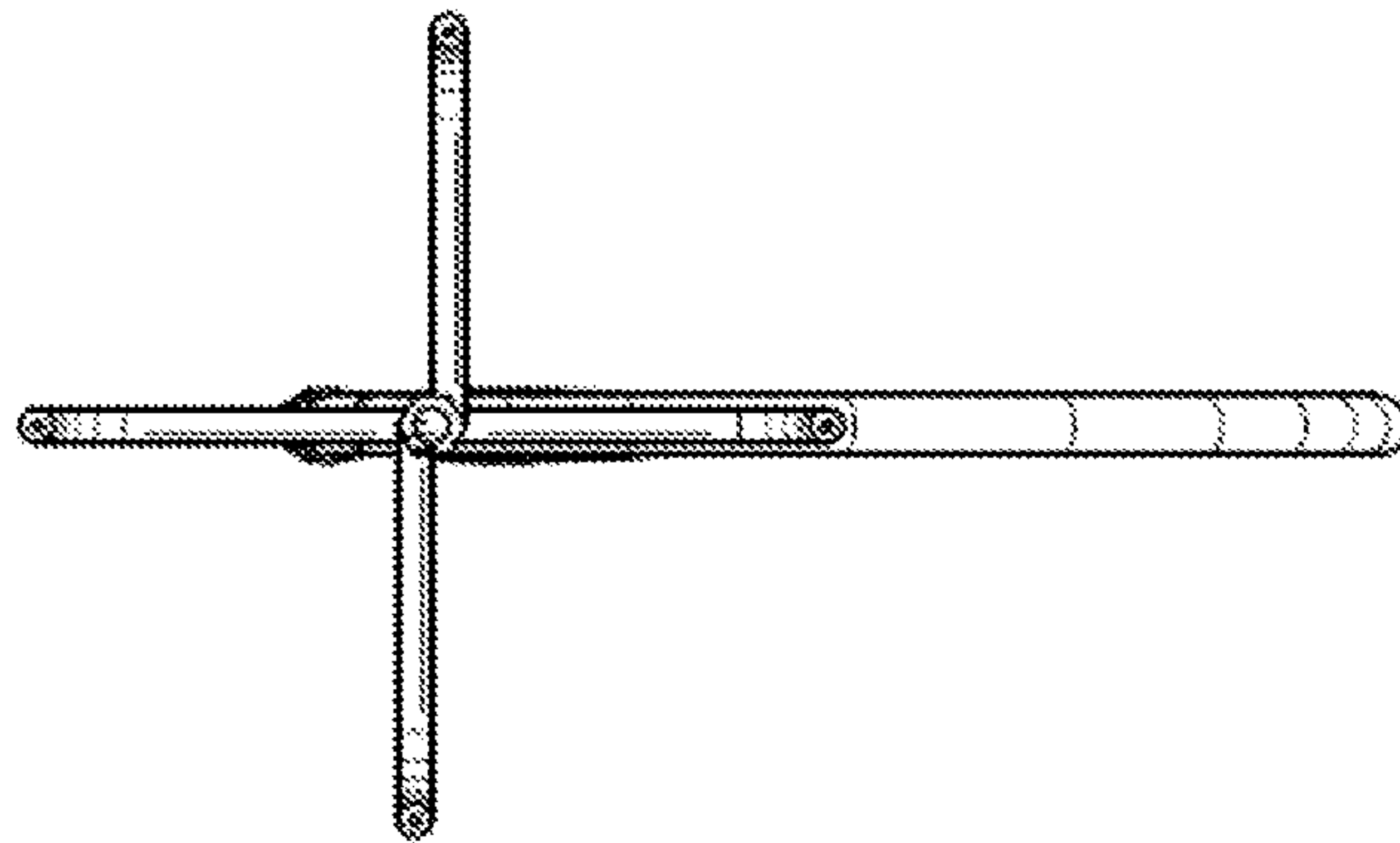


FIG. 7

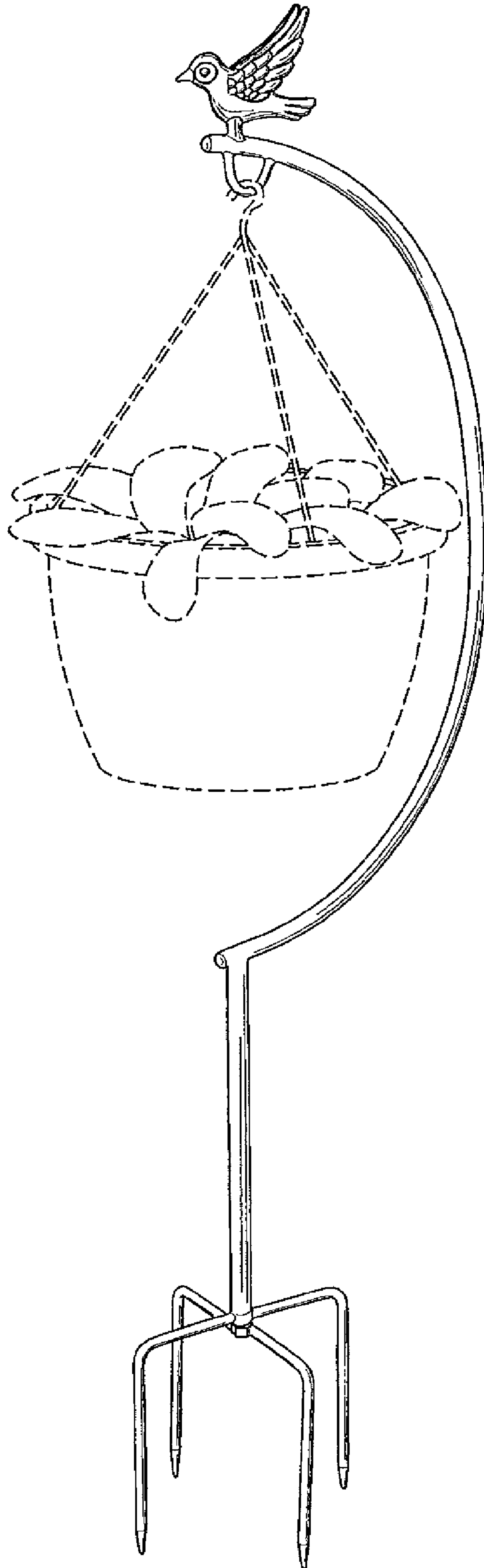


FIG. 8