

US00D692251S

(12) **United States Design Patent**
Cute

(10) **Patent No.:** **US D692,251 S**
(45) **Date of Patent:** **** Oct. 29, 2013**

(54) **CRESCENT HANGER**
(71) Applicant: **Sun Hill Industries, Inc.**, Fairfield, CA
(US)
(72) Inventor: **Joseph E. Cute**, Geneva, IL (US)
(73) Assignee: **Sun Hill Industries, Inc.**, Fairfield, CA
(US)
(**) Term: **14 Years**

D504,790 S * 5/2005 Ramsey D6/403
D517,343 S * 3/2006 Hayes D6/403
D545,079 S * 6/2007 Peterson D6/403
D637,833 S * 5/2011 Russell D6/405
D644,041 S * 8/2011 Bugio D6/403
D679,920 S * 4/2013 Terol D6/405

* cited by examiner

Primary Examiner — Garth Rademaker
(74) *Attorney, Agent, or Firm* — Riverside Law LLP

(21) Appl. No.: **29/433,778**
(22) Filed: **Oct. 4, 2012**
(51) **LOC (9) Cl.** **11-02**
(52) **U.S. Cl.**
USPC **D6/403**
(58) **Field of Classification Search**
USPC D6/403–405, 556–558; D8/1;
D11/143–156, 164; D19/77, 80, 81,
D19/84; D25/100; D26/9–11, 16, 19;
D34/1, 2, 4–6; D99/5, 19; 47/17, 32.4,
47/32.5, 33, 39, 41.01, 41.1, 41.11–41.15,
47/44–47, 65, 65.5, 65.9, 66.1, 66.6, 66.7,
47/67–71
See application file for complete search history.

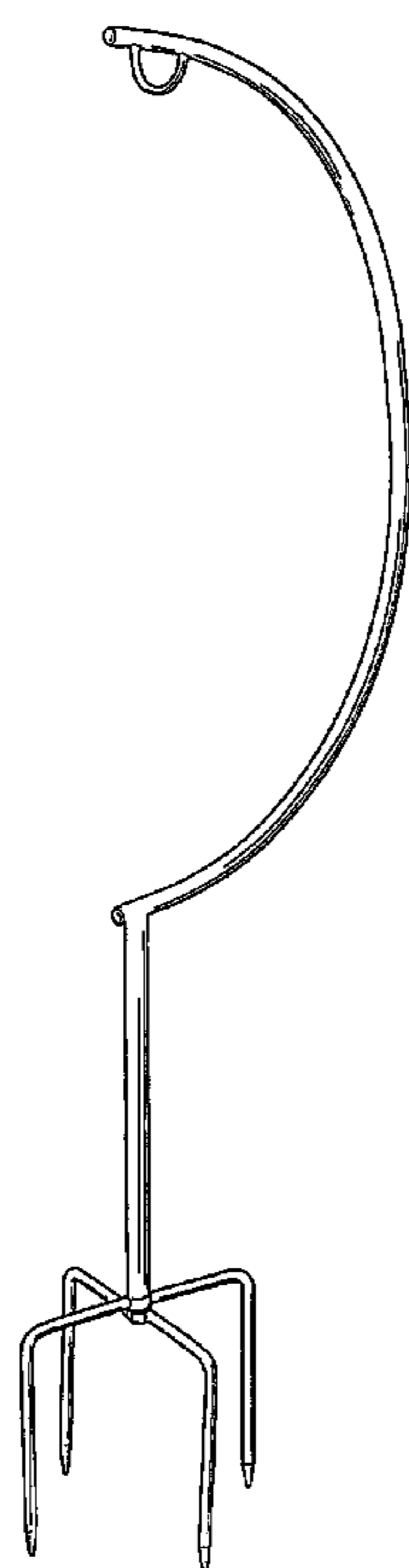
(57) **CLAIM**
I claim the ornamental design for a crescent hanger, as shown
and described.

DESCRIPTION

FIG. 1 is a perspective view of a crescent hanger;
FIG. 2 is a right side view thereof;
FIG. 3 is a left side view thereof;
FIG. 4 is a front view thereof;
FIG. 5 is a rear view thereof;
FIG. 6 is a top view thereof;
FIG. 7 is a bottom view thereof;
FIG. 8 is a perspective view thereof, shown in an environment
of use;
FIG. 9 is a perspective view thereof, shown in a second
environment of use; and,
FIG. 10 is a perspective view thereof, shown in a third envi-
ronment of use.
The broken lines depict environmental subject matter only
and form no part of the claimed design.

(56) **References Cited**
U.S. PATENT DOCUMENTS
D379,037 S * 5/1997 Moran, III D6/405
6,035,576 A * 3/2000 Bozeman 47/47
D435,359 S * 12/2000 McCarron D6/403
D443,153 S * 6/2001 Thomas D6/404

1 Claim, 7 Drawing Sheets



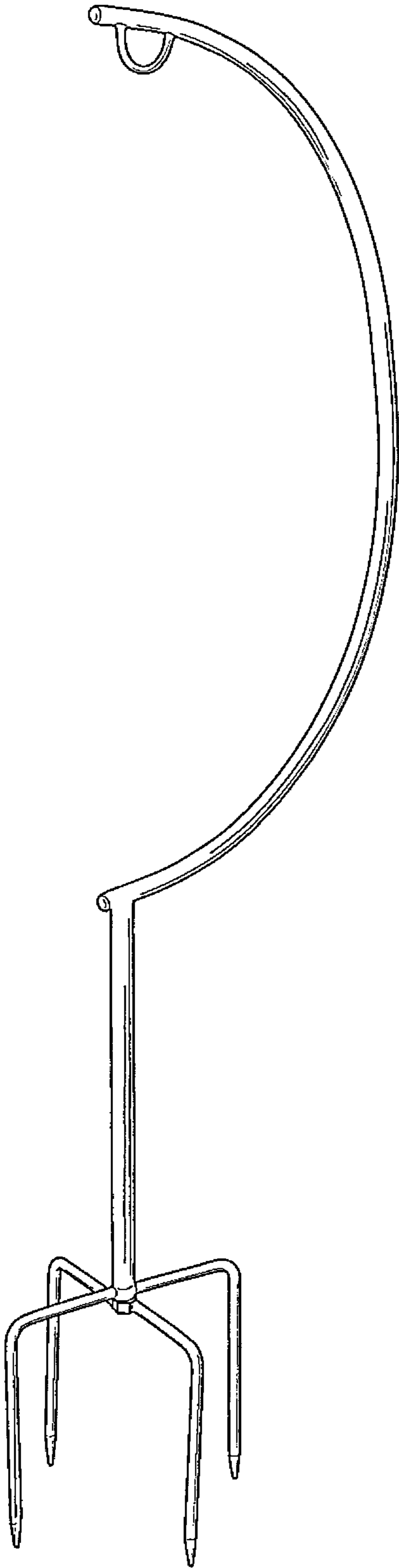


FIG. 1

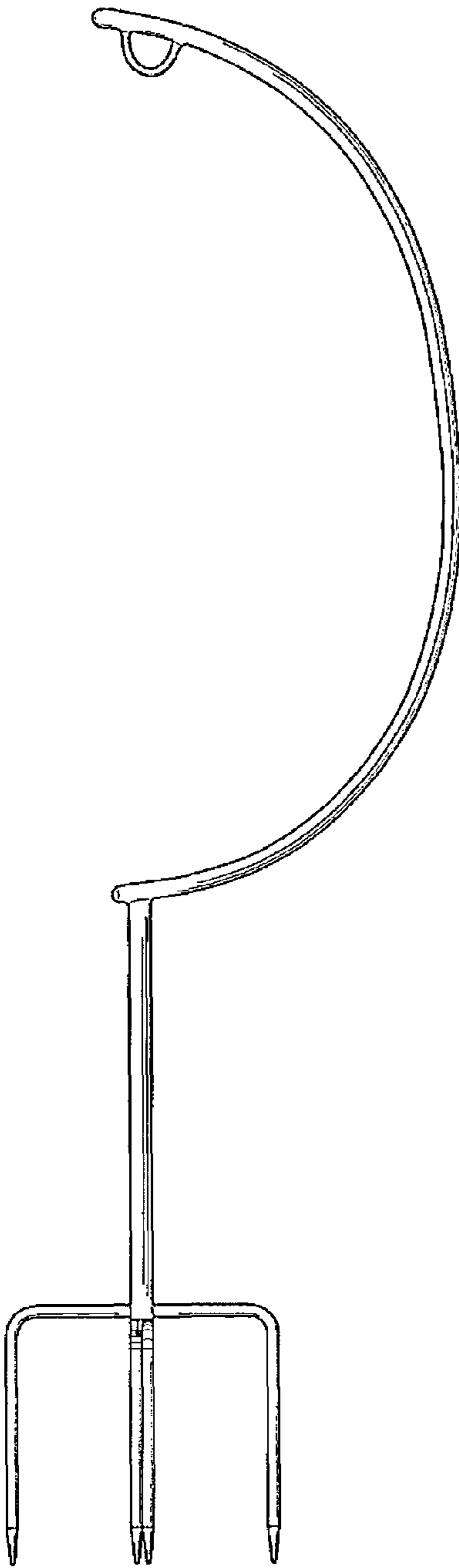


FIG. 2

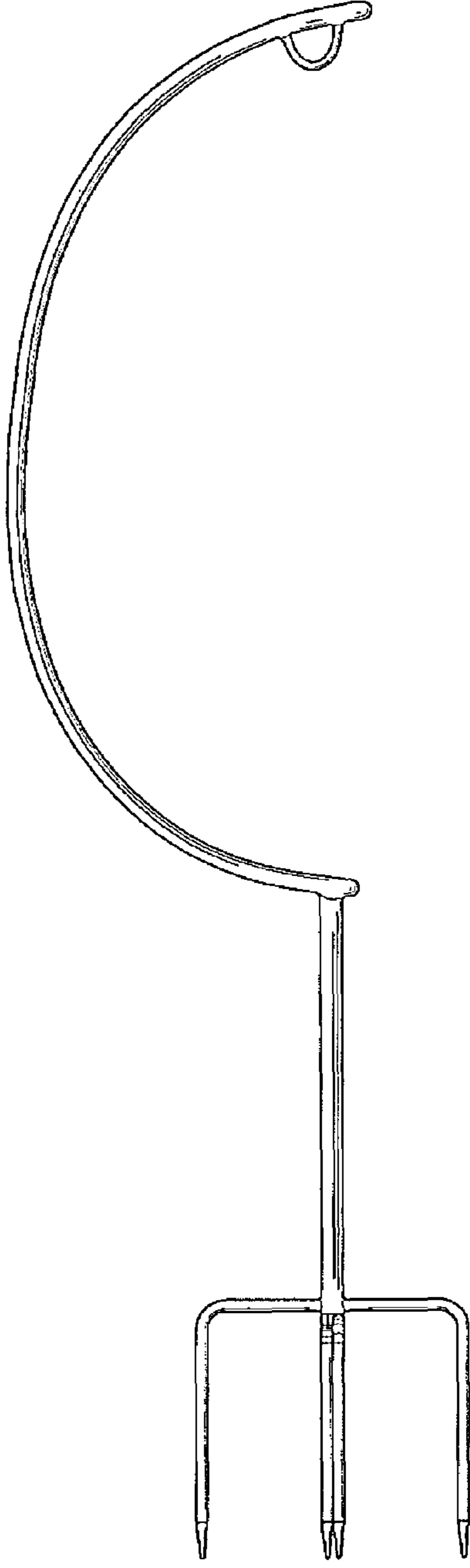


FIG. 3

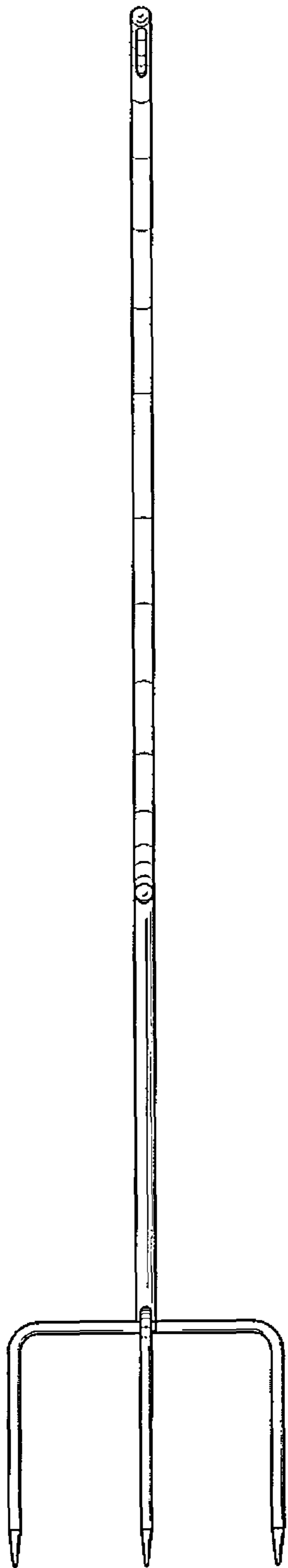


FIG. 4

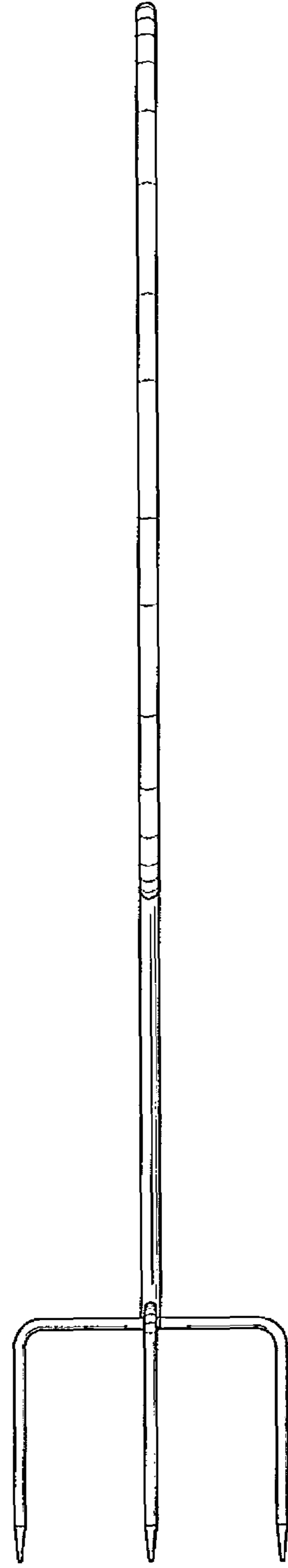


FIG. 5

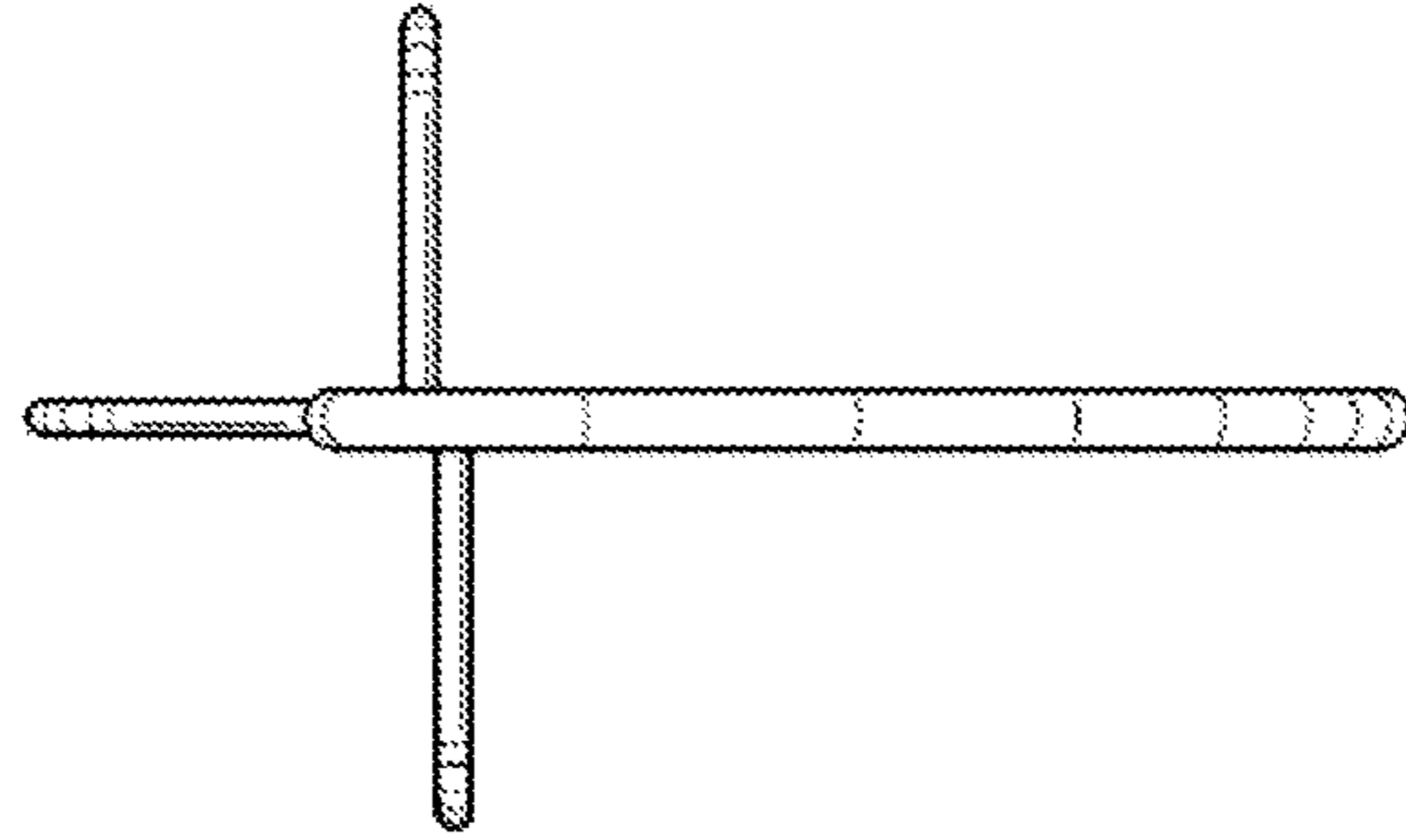


FIG. 6

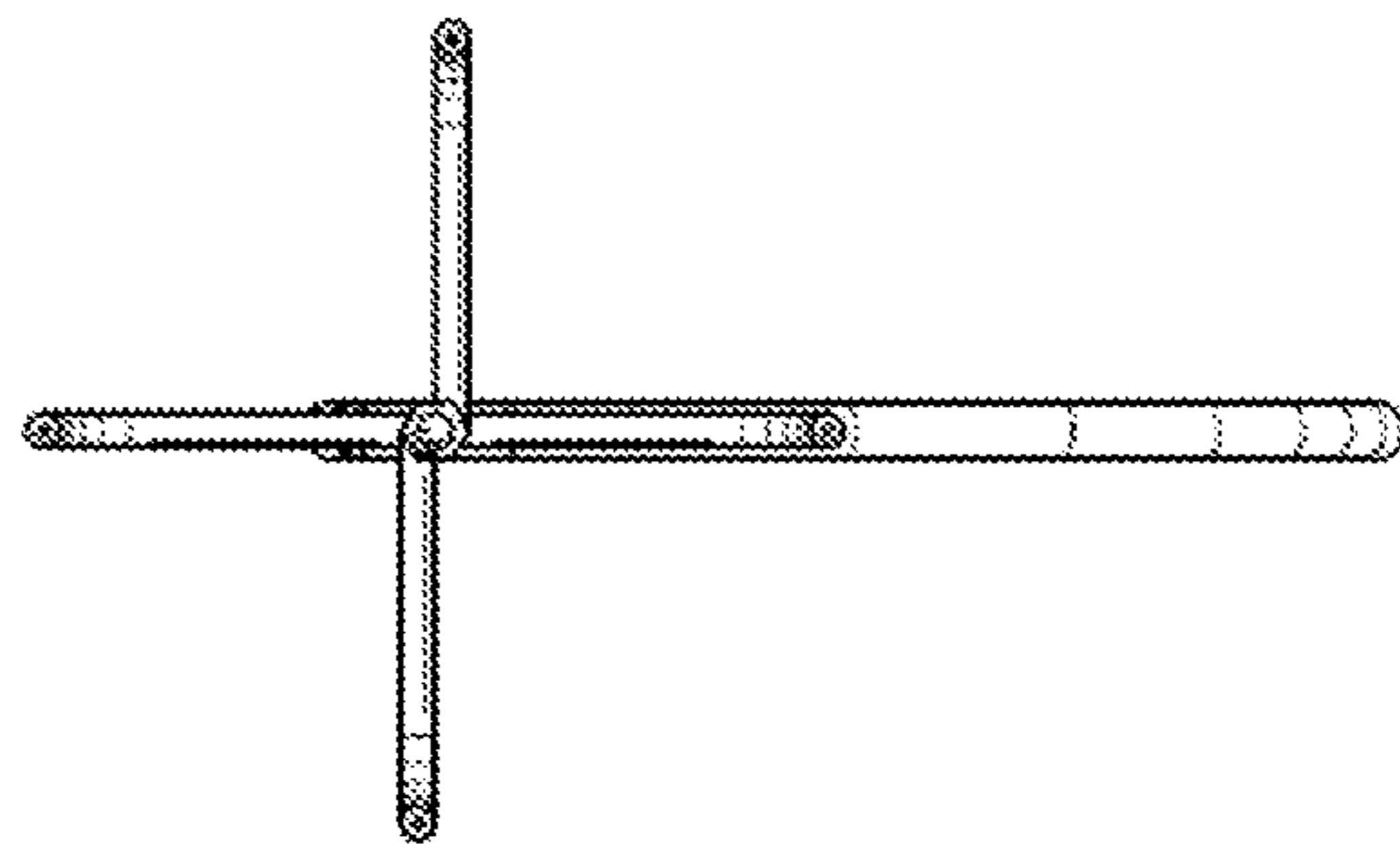


FIG. 7

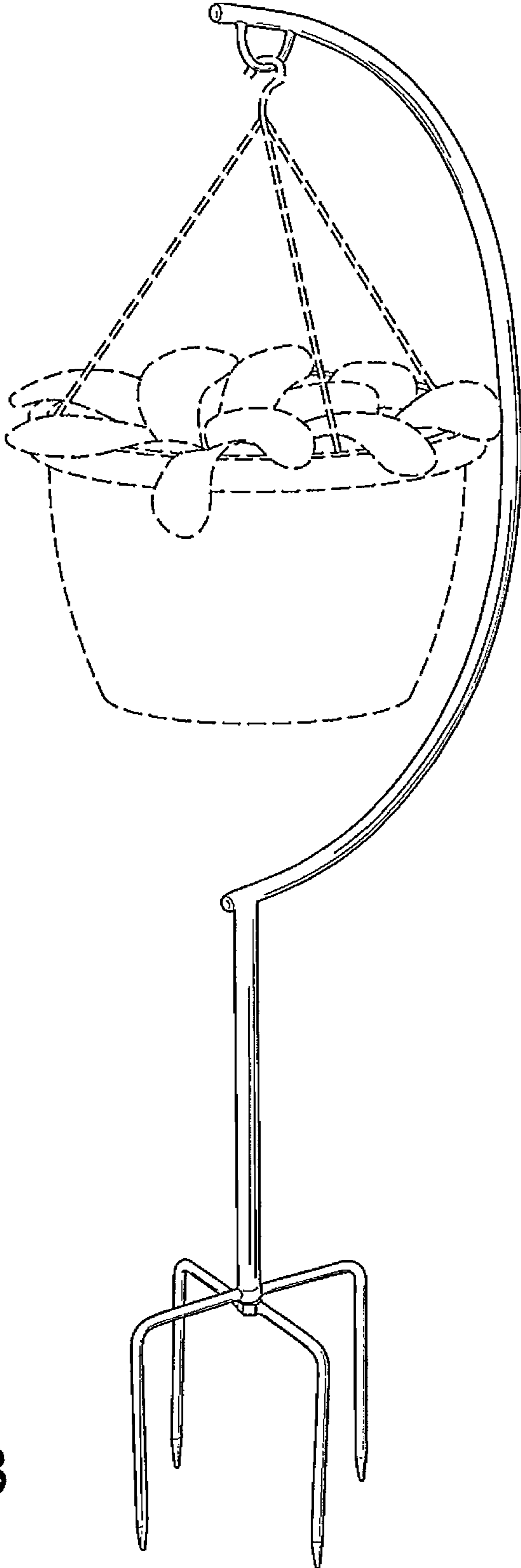


FIG. 8

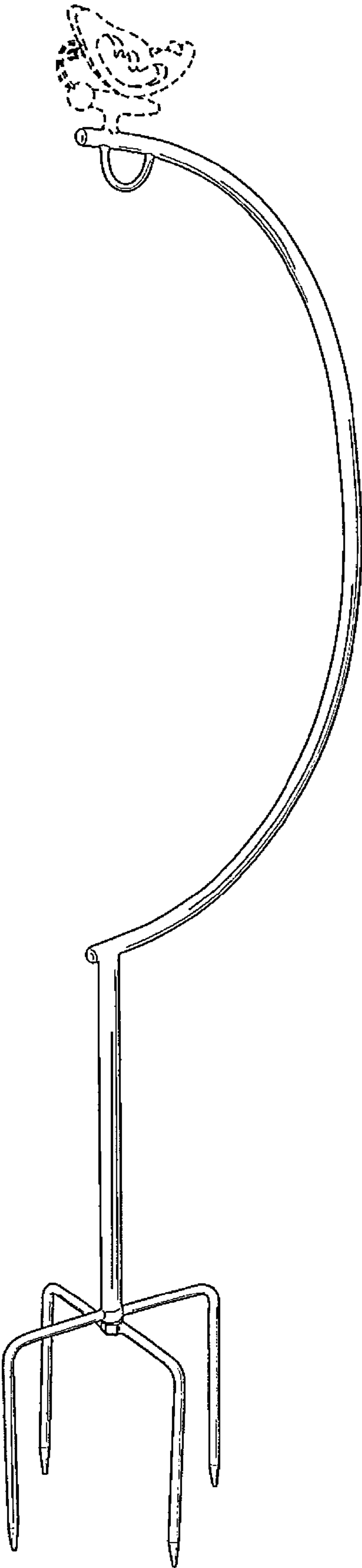


FIG. 9

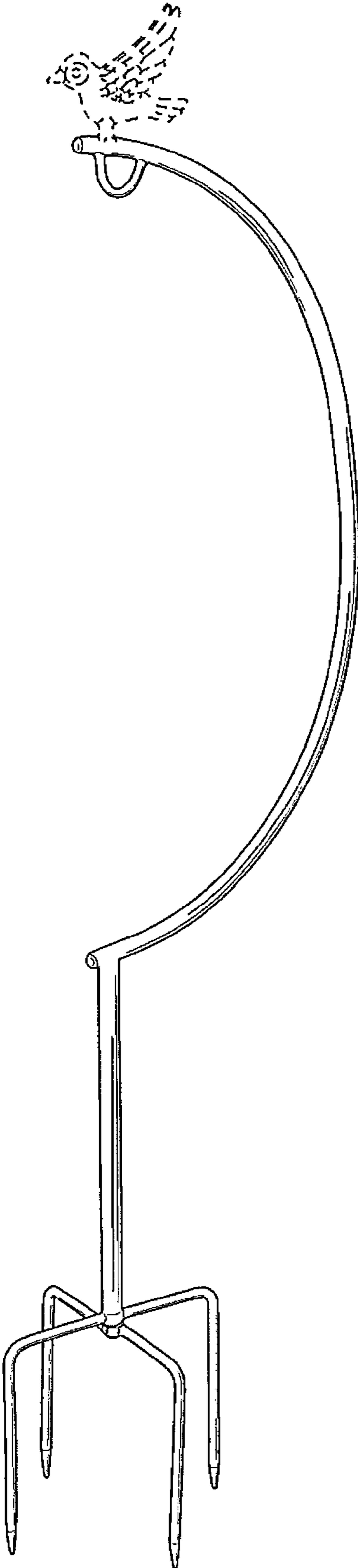


FIG. 10