



US00D692247S

(12) **United States Design Patent**  
**Opsvik**

(10) **Patent No.:** **US D692,247 S**

(45) **Date of Patent:** **\*\* Oct. 29, 2013**

(54) **SWIVEL CHAIR**

(75) Inventor: **Peter Opsvik**, Oslo (NO)

(73) Assignee: **Scandinavian Business Seating AS**,  
Oslo (NO)

(\*\*) Term: **14 Years**

(21) Appl. No.: **29/399,620**

(22) Filed: **Aug. 16, 2011**

(30) **Foreign Application Priority Data**

Feb. 17, 2011 (NO) ..... 20110130

(51) **LOC (9) Cl.** ..... **06-01**

(52) **U.S. Cl.**  
USPC ..... **D6/366**

(58) **Field of Classification Search**  
USPC ..... D6/334–336, 349, 354, 355, 360, 364,  
D6/366, 367, 374, 500, 501, 502; 297/156,  
297/195.1, 195.11, 219.11, 311, 452.21,  
297/452.23; 482/57; D21/663, 664  
See application file for complete search history.

(56) **References Cited**

**U.S. PATENT DOCUMENTS**

4,607,882 A \* 8/1986 Opsvik ..... 297/195.11  
D289,708 S \* 5/1987 Rykken ..... D6/367

D293,049 S \* 12/1987 Opsvik ..... D6/366  
D433,854 S \* 11/2000 Diffrient ..... D6/502  
D460,299 S \* 7/2002 Lundsgaard ..... D6/502  
D577,230 S \* 9/2008 Haaksma ..... D6/500  
D577,933 S \* 10/2008 Haaksma ..... D6/500

\* cited by examiner

*Primary Examiner* — Mimoso De

(74) *Attorney, Agent, or Firm* — Knobbe, Martens, Olson &  
Bear LLP

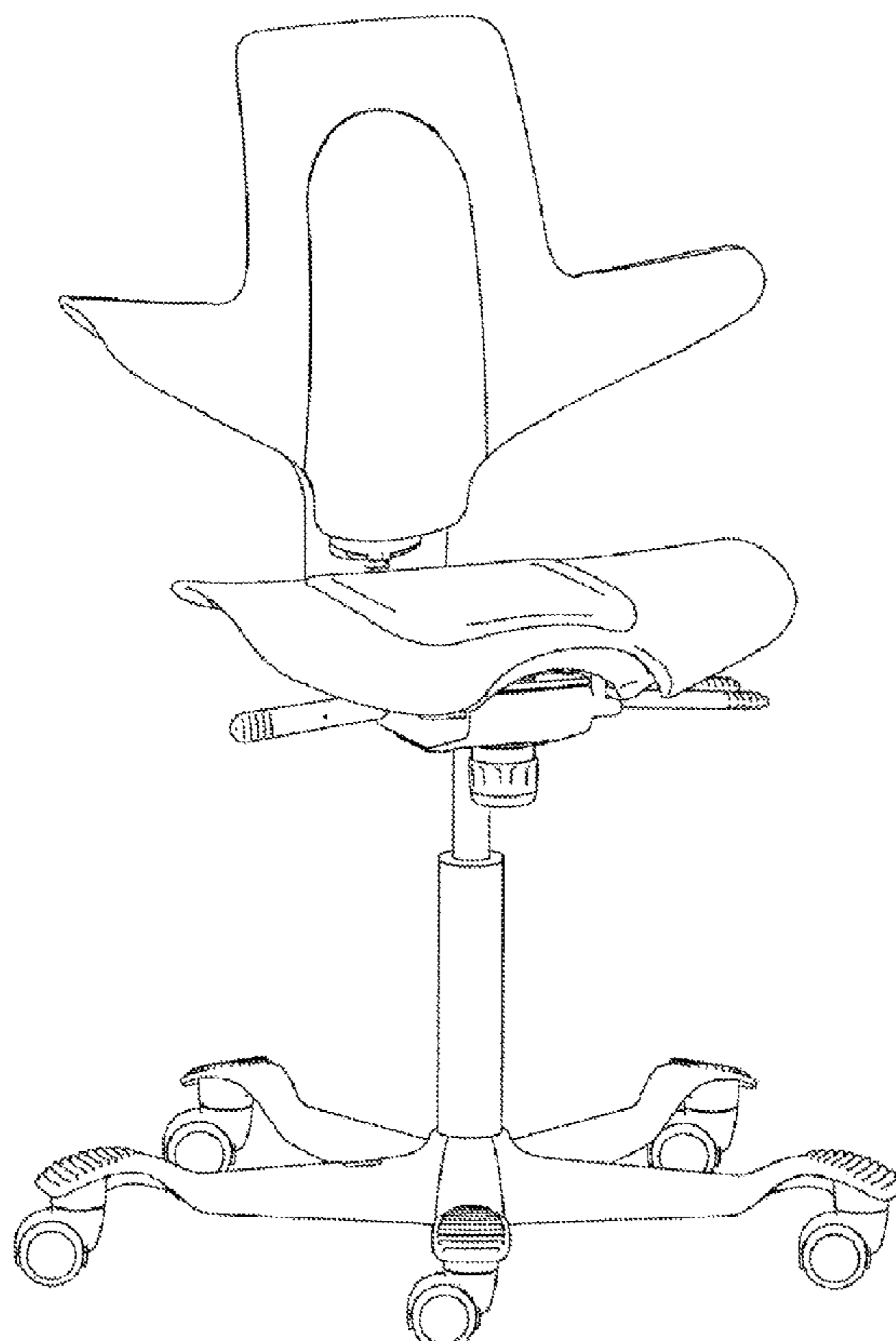
(57) **CLAIM**

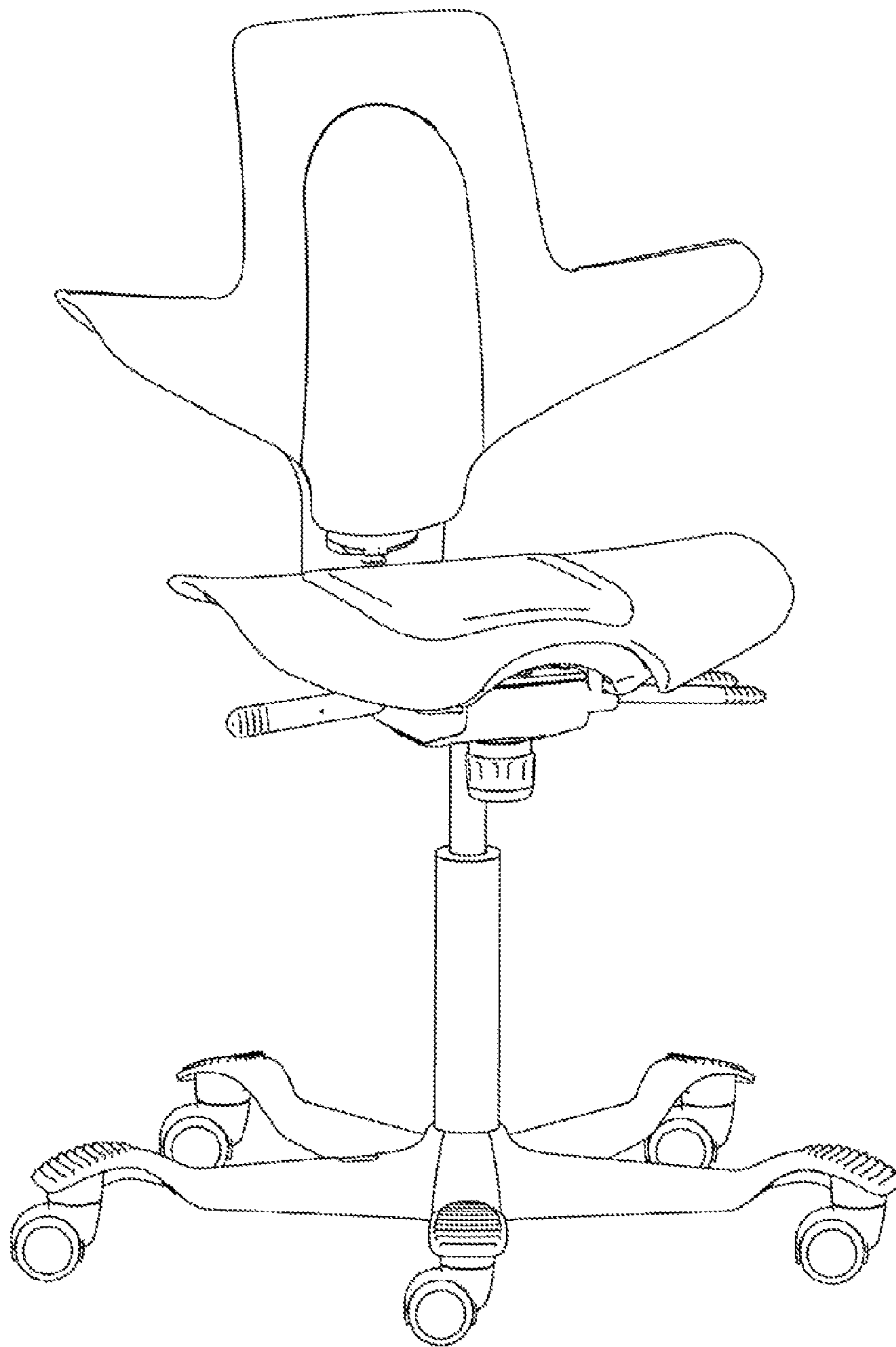
The ornamental design for a swivel chair, as shown and  
described.

**DESCRIPTION**

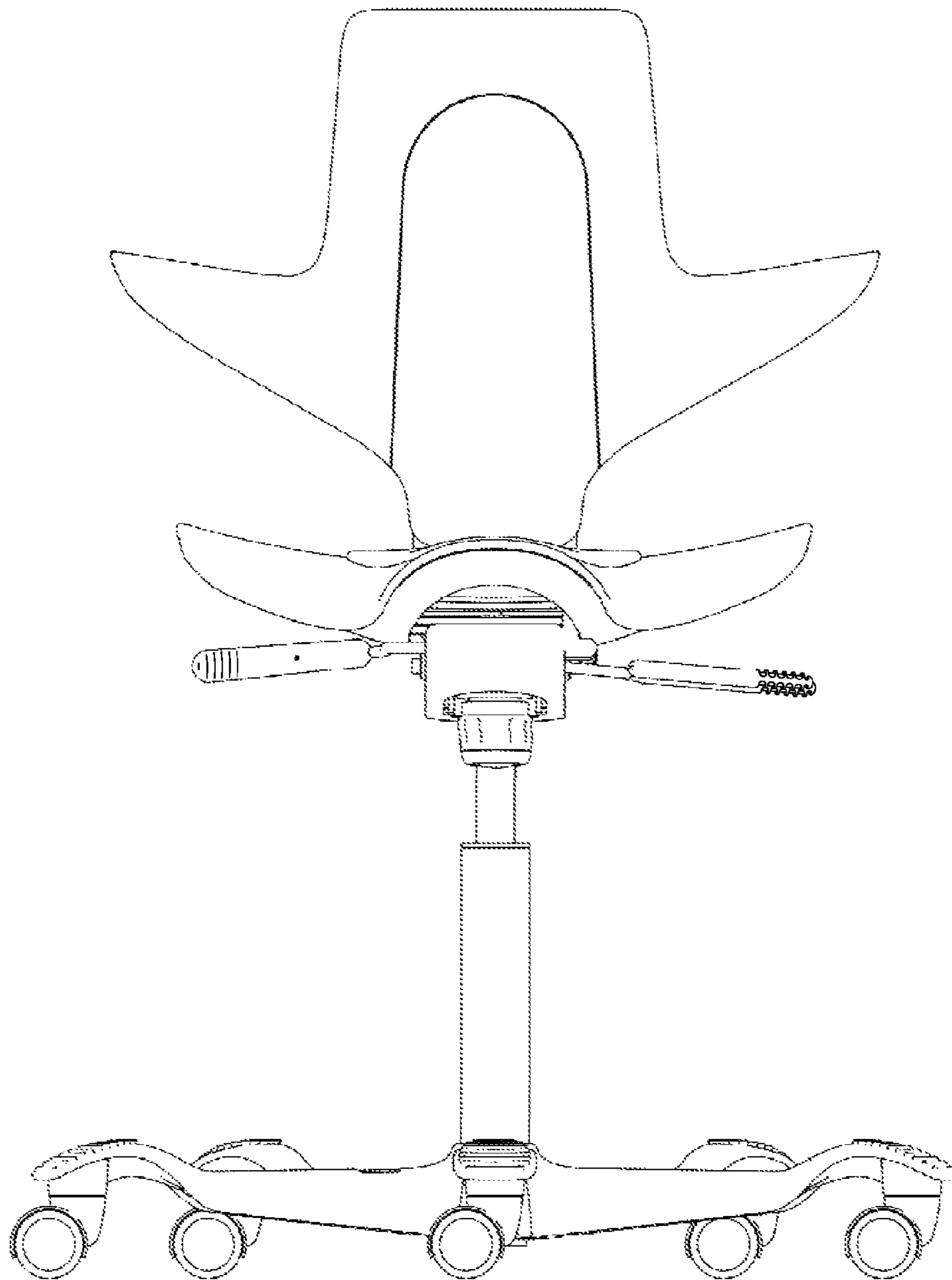
FIG. 1 is a perspective view of a swivel chair showing my new  
design.  
FIG. 2 is a front elevational view thereof.  
FIG. 3 is a rear elevational view thereof.  
FIG. 4 is a left side elevational view thereof.  
FIG. 5 is a right side elevational view thereof.  
FIG. 6 is a top plan view thereof; and,  
FIG. 7 is a bottom plan view thereof.  
The broken line showing of the “HAG” logo in FIG. 3 is for  
the purpose of illustrating environmental structure and forms  
no part of the claimed design.

**1 Claim, 7 Drawing Sheets**





*FIG. 1*



*FIG. 2*

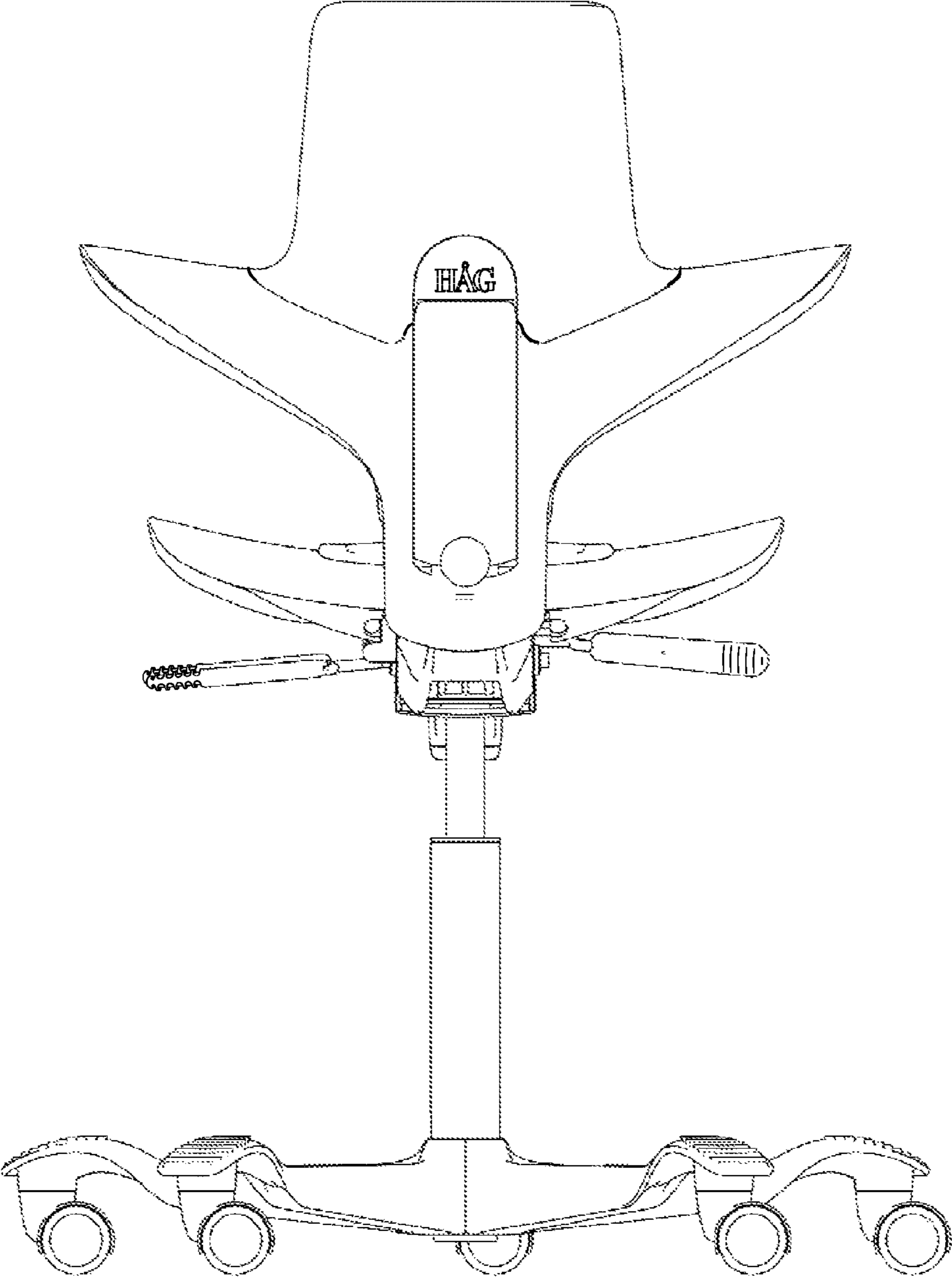
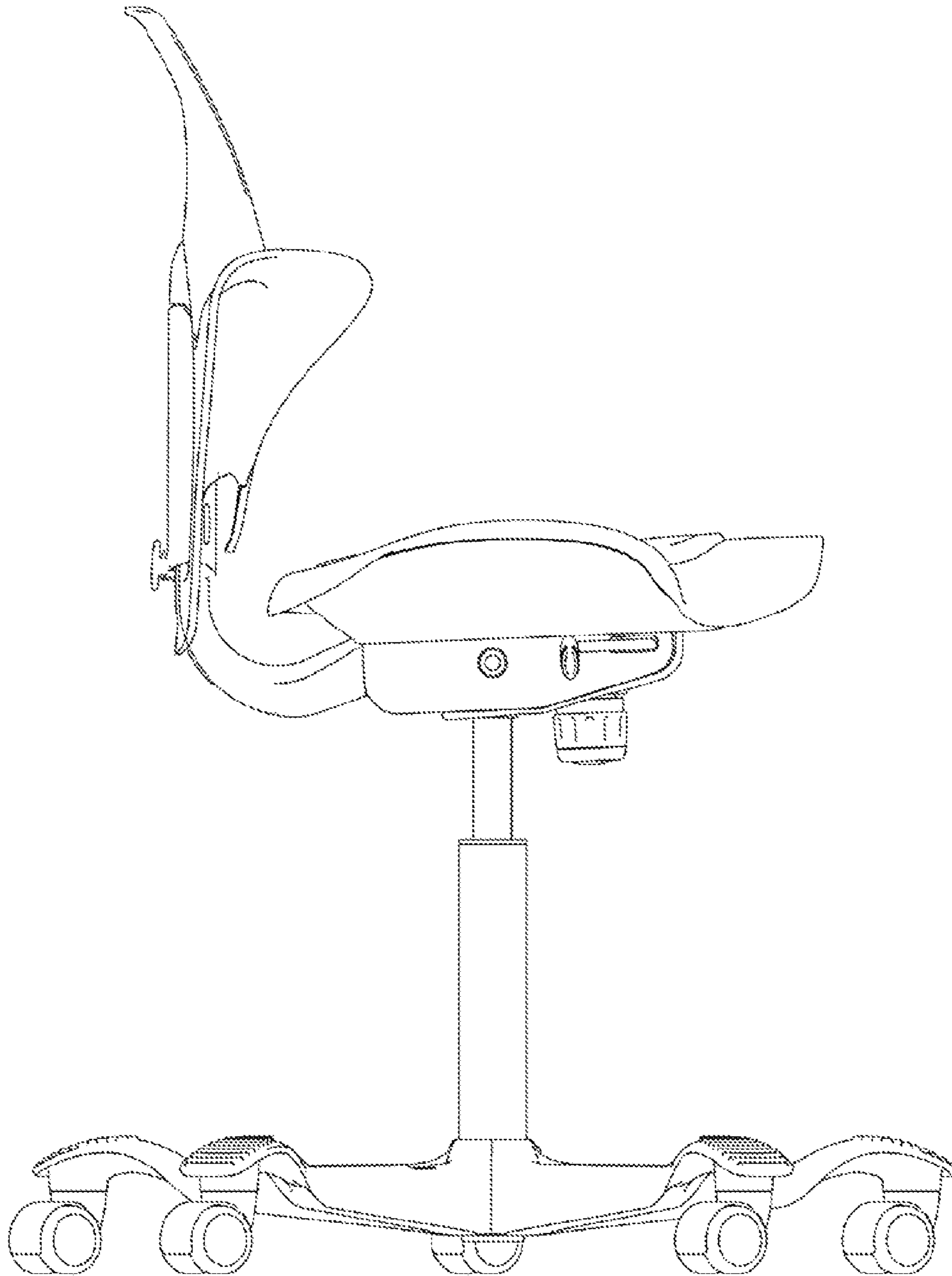
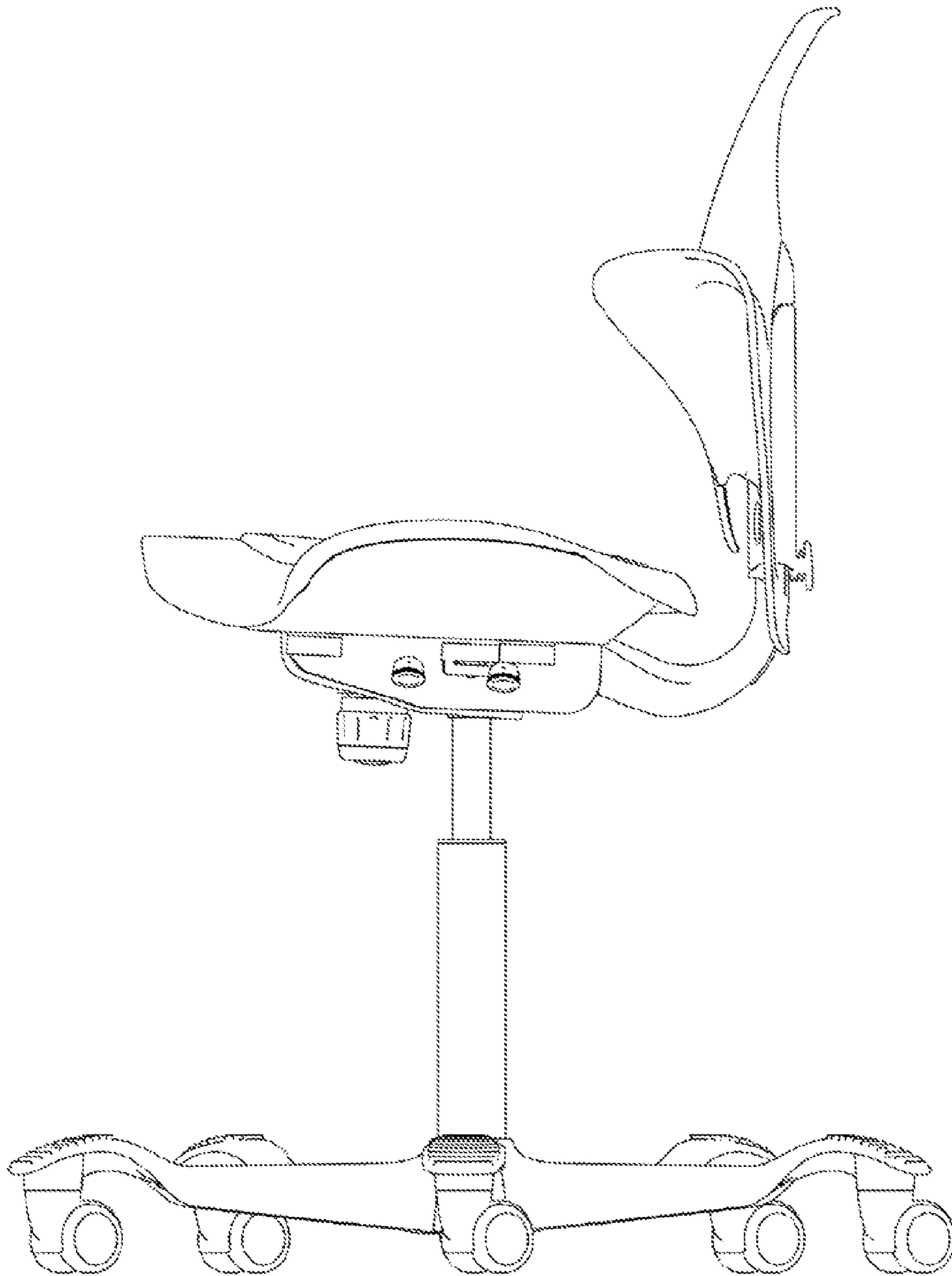


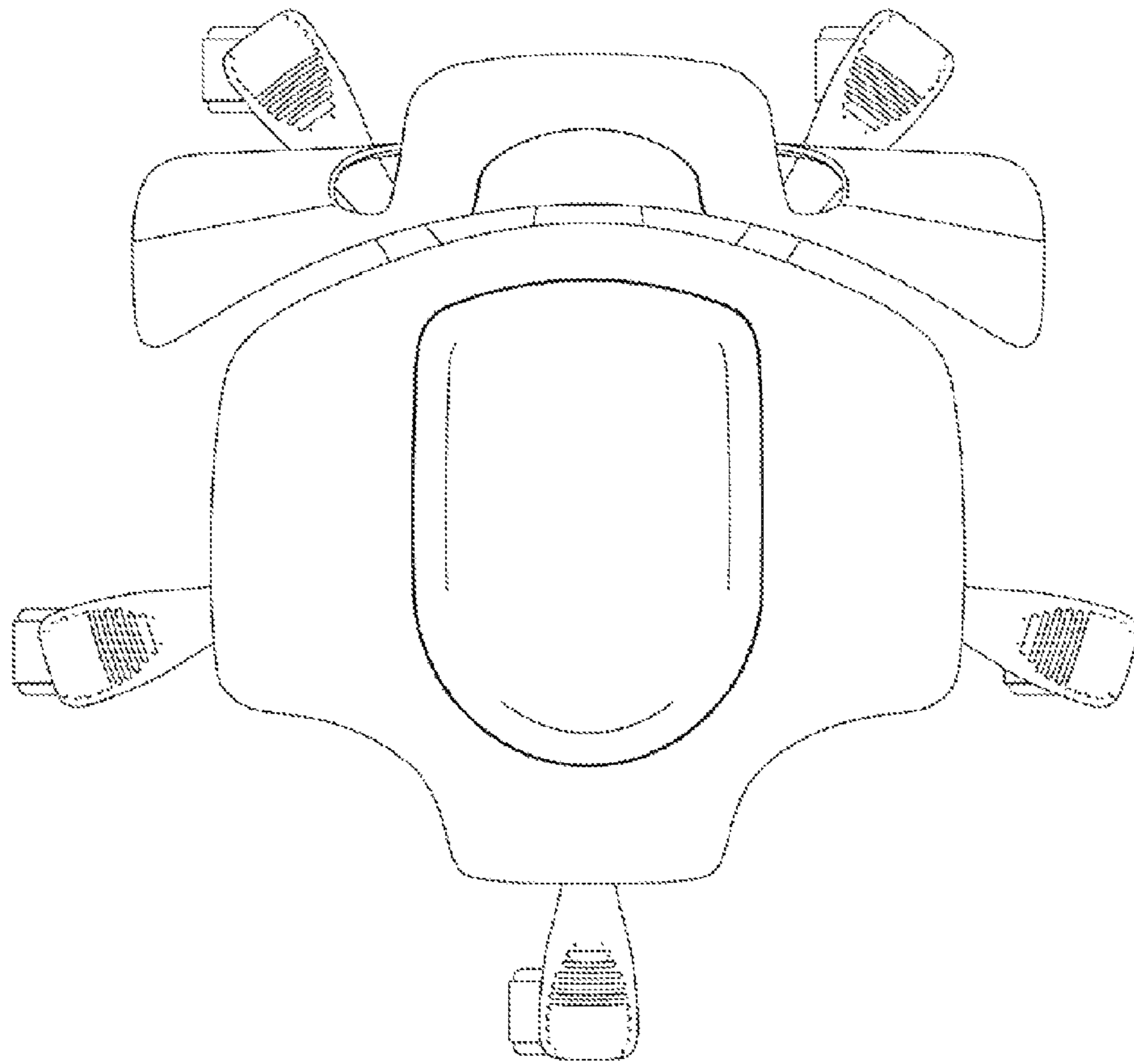
FIG. 3



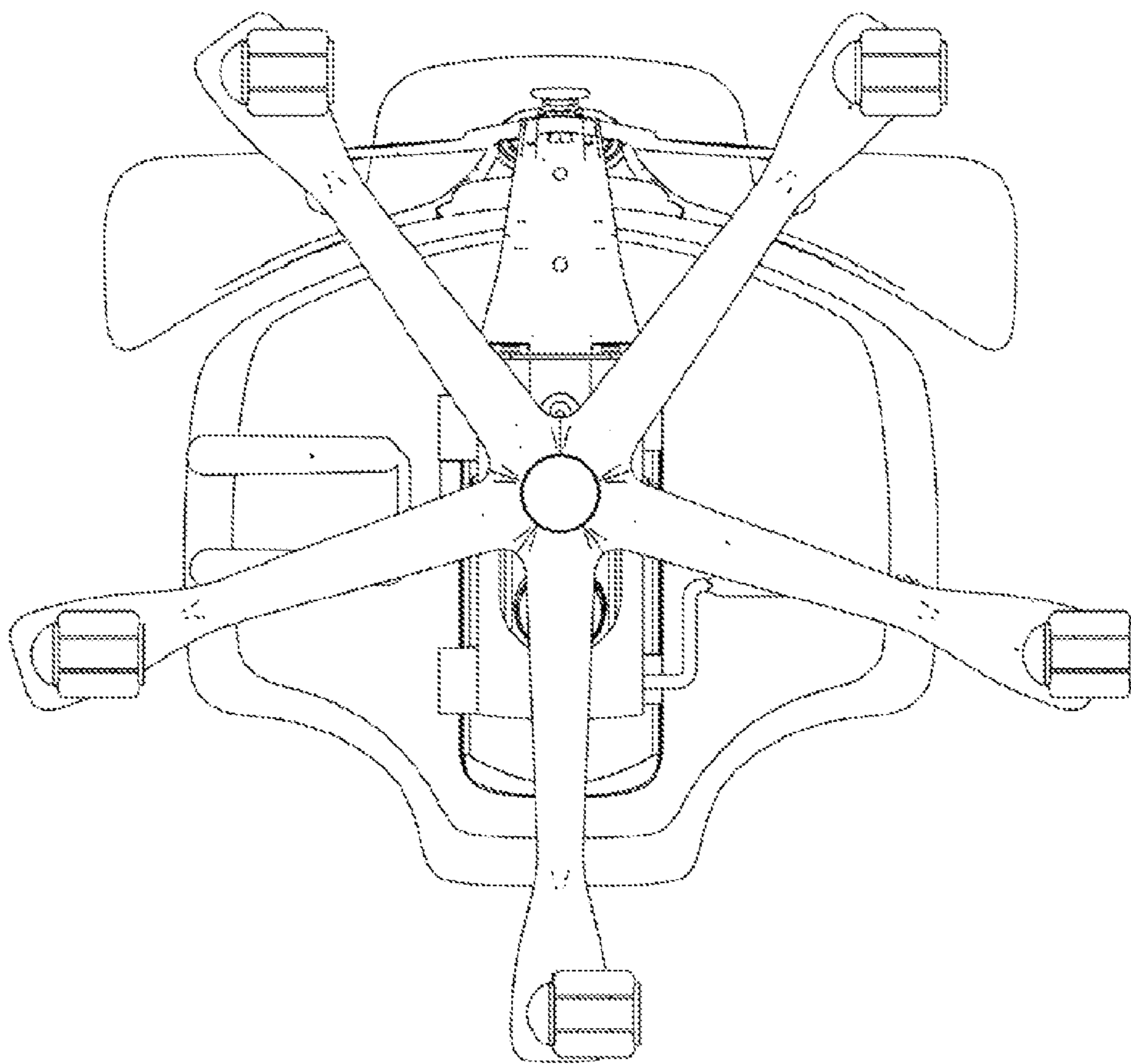
*FIG. 4*



*FIG. 5*



*FIG. 6*



*FIG. 7*