



US00D692245S

(12) **United States Design Patent**  
**Attey**

(10) **Patent No.:** **US D692,245 S**

(45) **Date of Patent:** **\*\* Oct. 29, 2013**

(54) **BIKE SEAT**

(75) Inventor: **Graeme Scott Attey**, South Fremantle (AU)

(73) Assignee: **Fuselage Design Pty Ltd**, South Fremantle, WA (AU)

(\*\*) Term: **14 Years**

(21) Appl. No.: **29/431,167**

(22) Filed: **Sep. 4, 2012**

(51) **LOC (9) Cl.** ..... **12-11**

(52) **U.S. Cl.**  
USPC ..... **D6/354**

(58) **Field of Classification Search**  
USPC ..... D6/354; D12/111; 297/195.1, 196–215,  
297/440.1, 440.12–440.14, 452.18  
See application file for complete search history.

(56) **References Cited**

U.S. PATENT DOCUMENTS

543,260 A \* 7/1895 Mesinger et al. .... 297/197  
D26,384 S \* 12/1896 Seaman ..... D6/354

(Continued)

*Primary Examiner* — Susan M Lee

*Assistant Examiner* — Linda G. Brooks

(74) *Attorney, Agent, or Firm* — Ladas & Parry, LLP

(57) **CLAIM**

The ornamental design for a bike seat, as shown and described.

**DESCRIPTION**

FIG. 1 is a perspective view of a first embodiment of a bike seat in accordance with the design;

FIG. 2 is a perspective view of the first embodiment of the design thereof;

FIG. 3 is a top view of the first embodiment of the design thereof;

FIG. 4 is a left side view of the first embodiment of the design thereof;

FIG. 5 is a front view of the first embodiment of the design thereof;

FIG. 6 is a bottom view of the first embodiment of the design thereof;

FIG. 7 is a front side perspective view of a second embodiment of the design thereof;

FIG. 8 is a rear left side perspective view of the second embodiment of the design thereof;

FIG. 9 is a top view of the second embodiment of the design thereof;

FIG. 10 is front side perspective view of a third embodiment of the design thereof;

FIG. 11 is a rear side perspective view of the third embodiment of the design thereof;

FIG. 12 is a top view of the third embodiment of the design thereof;

FIG. 13 is a left side view of the third embodiment of the design thereof;

FIG. 14 is a rear side view of the third embodiment of the design thereof;

FIG. 15 is a front side perspective view of a fourth embodiment of the design thereof;

FIG. 16 is a rear side perspective view of the fourth embodiment of the design thereof;

FIG. 17 is a top view of the fourth embodiment of the design thereof;

FIG. 18 is a bottom view of the fourth embodiment of the design thereof;

FIG. 19 is a front side perspective view of a fifth embodiment of the design thereof;

FIG. 20 is a rear side perspective view of the fifth embodiment of the design thereof;

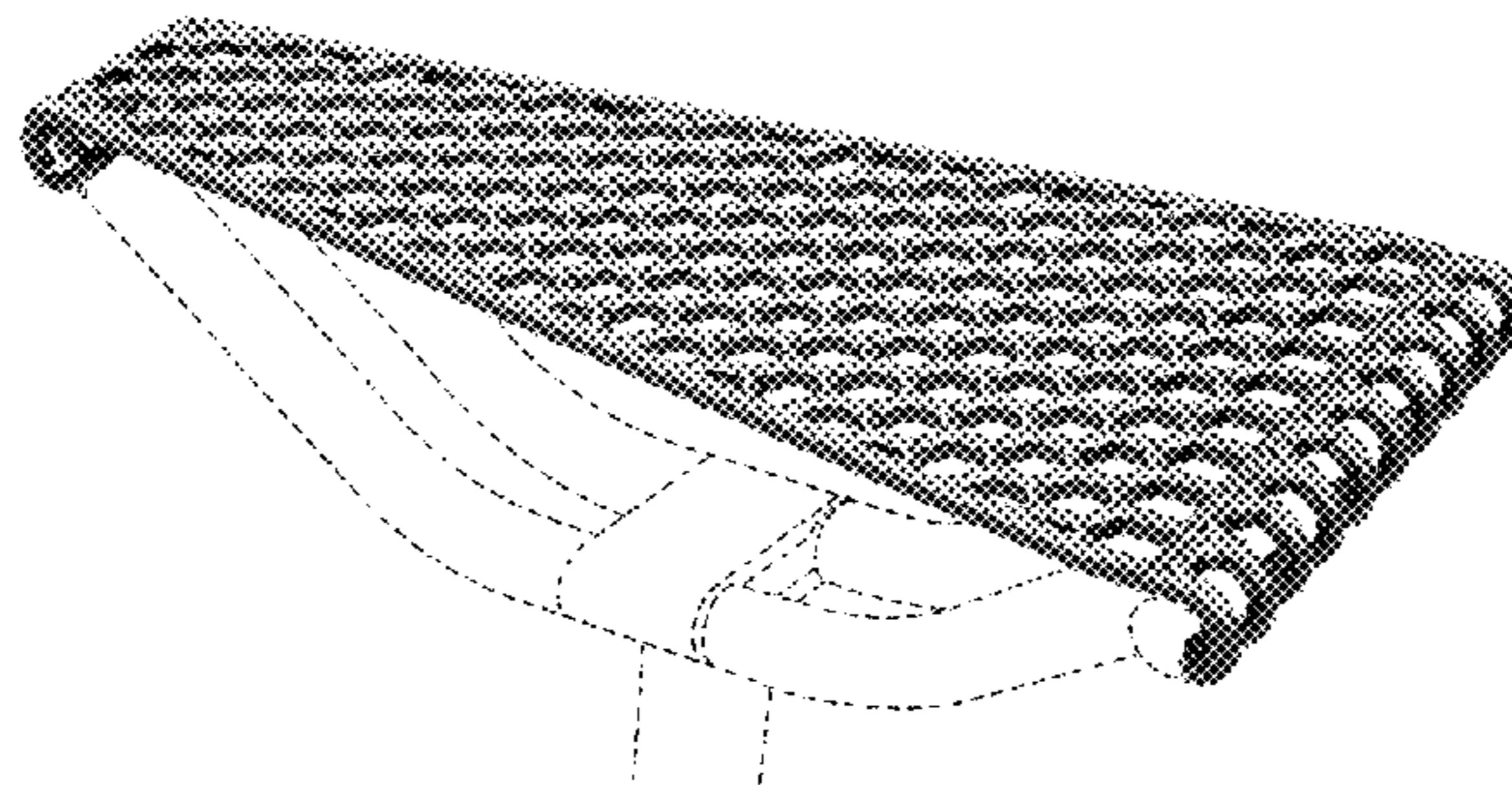
FIG. 21 is a bottom view of the fifth embodiment of the design thereof;

FIG. 22 is a front side perspective view of a sixth embodiment of the design thereof;

FIG. 23 is a rear side perspective view of the sixth embodiment of the design thereof; and,

FIG. 24 is a top view of the sixth embodiment of the design thereof.

**1 Claim, 6 Drawing Sheets**



# US D692,245 S

Page 2

---

(56)

## References Cited

### U.S. PATENT DOCUMENTS

D29,050 S *	7/1898	Macker .....	D6/354	5,553,916 A *	9/1996	Yu .....	297/207
607,565 A *	7/1898	Hunt .....	297/197	5,927,802 A *	7/1999	Kesinger .....	297/204
5,340,192 A *	8/1994	Hsh .....	297/197	6,957,857 B1 *	10/2005	Lee .....	297/215.16
				7,059,674 B2 *	6/2006	Garland et al. ....	297/204
				7,866,744 B2 *	1/2011	Bigolin .....	297/195.1

\* cited by examiner



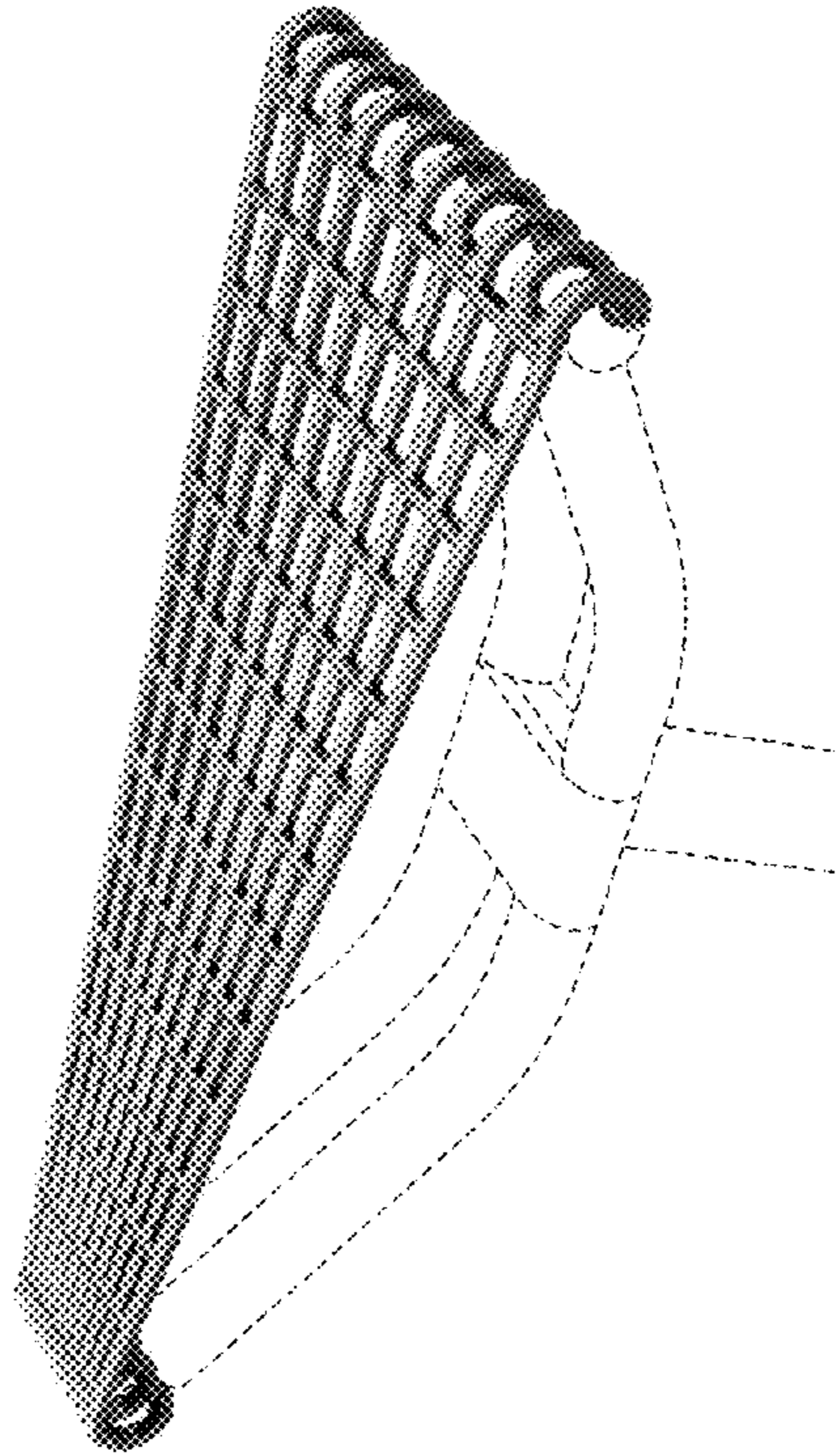


FIG. 2

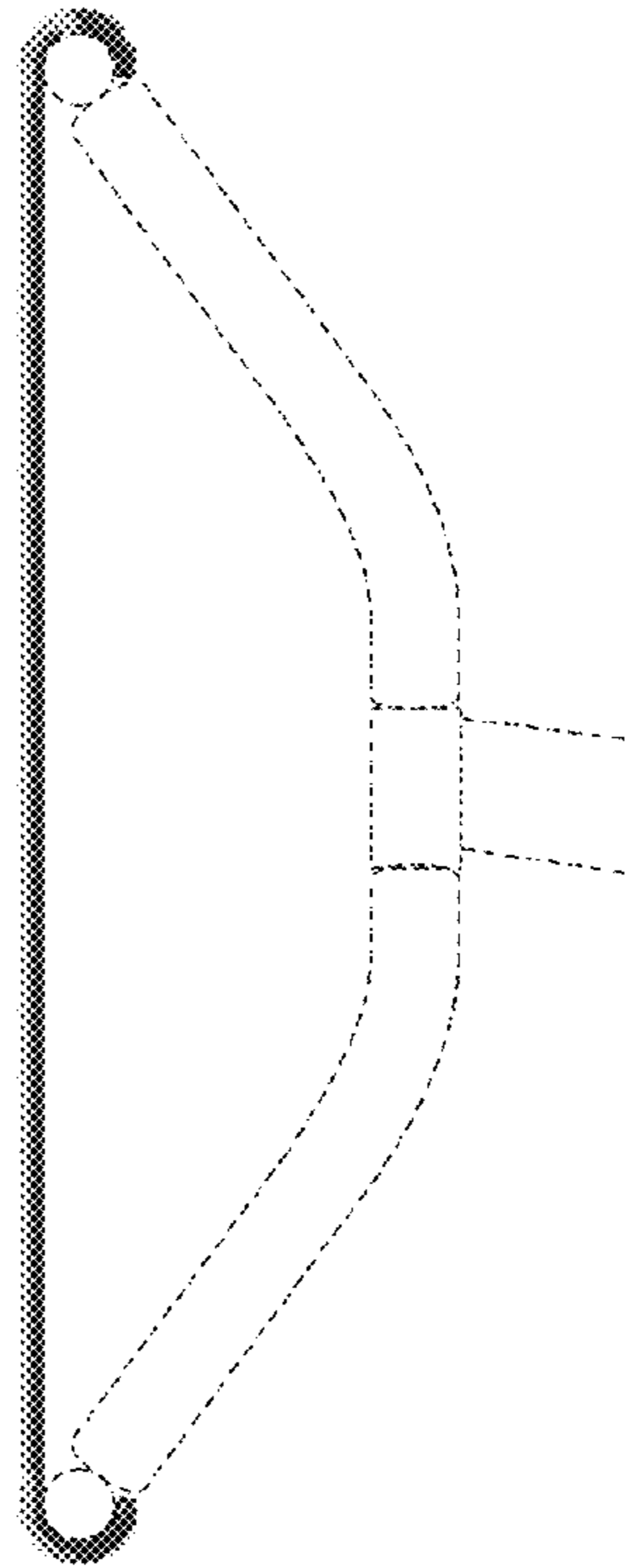


FIG. 4

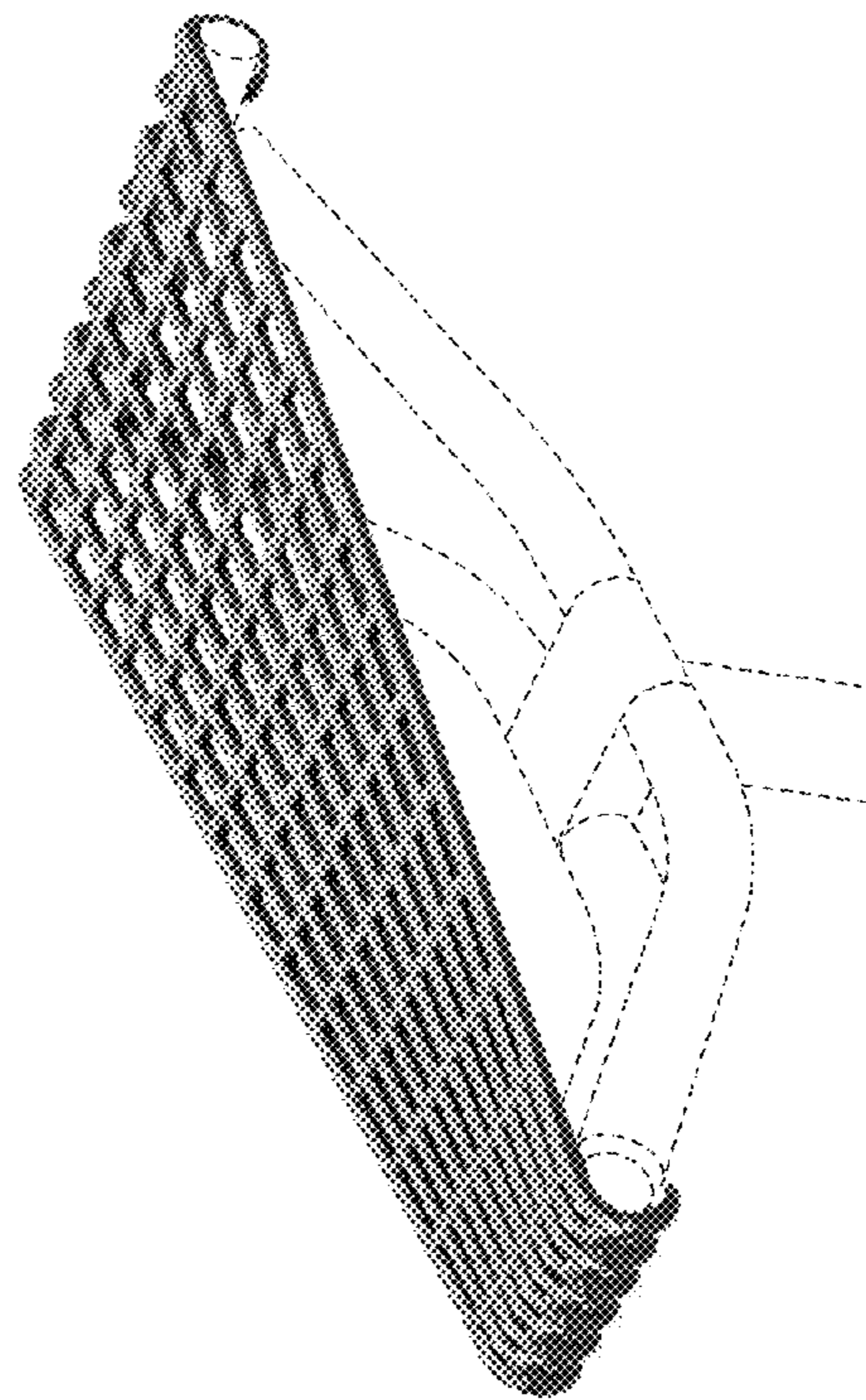


FIG. 1

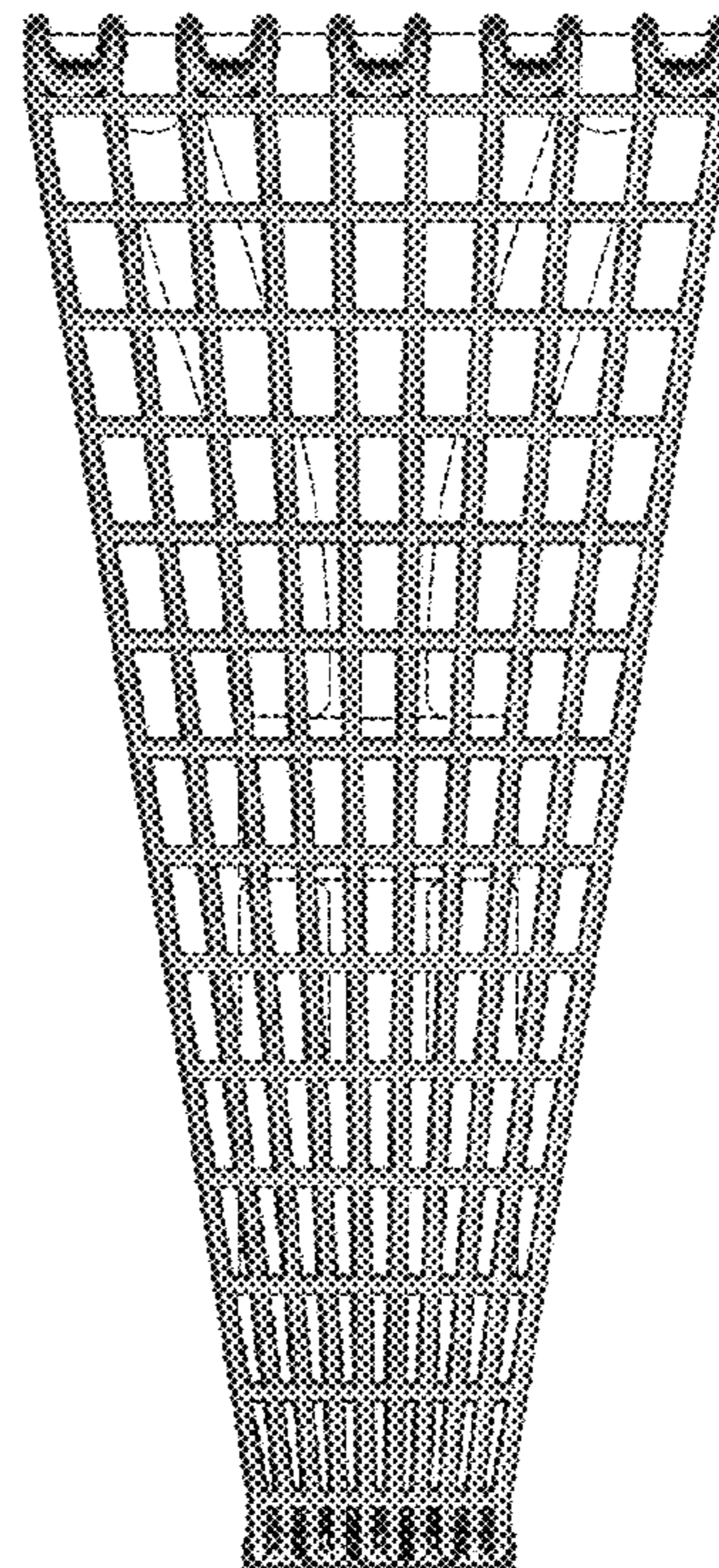


FIG. 3



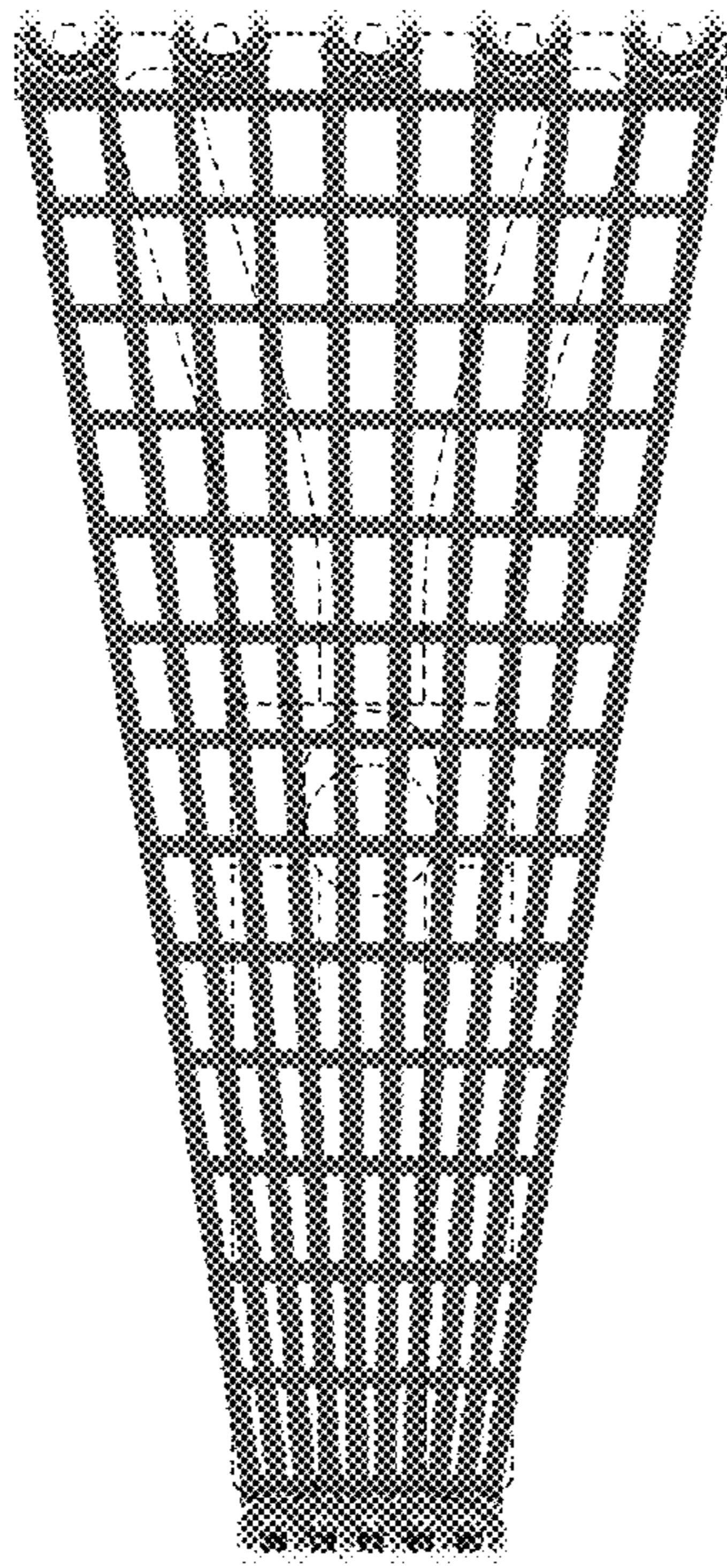


FIG. 6

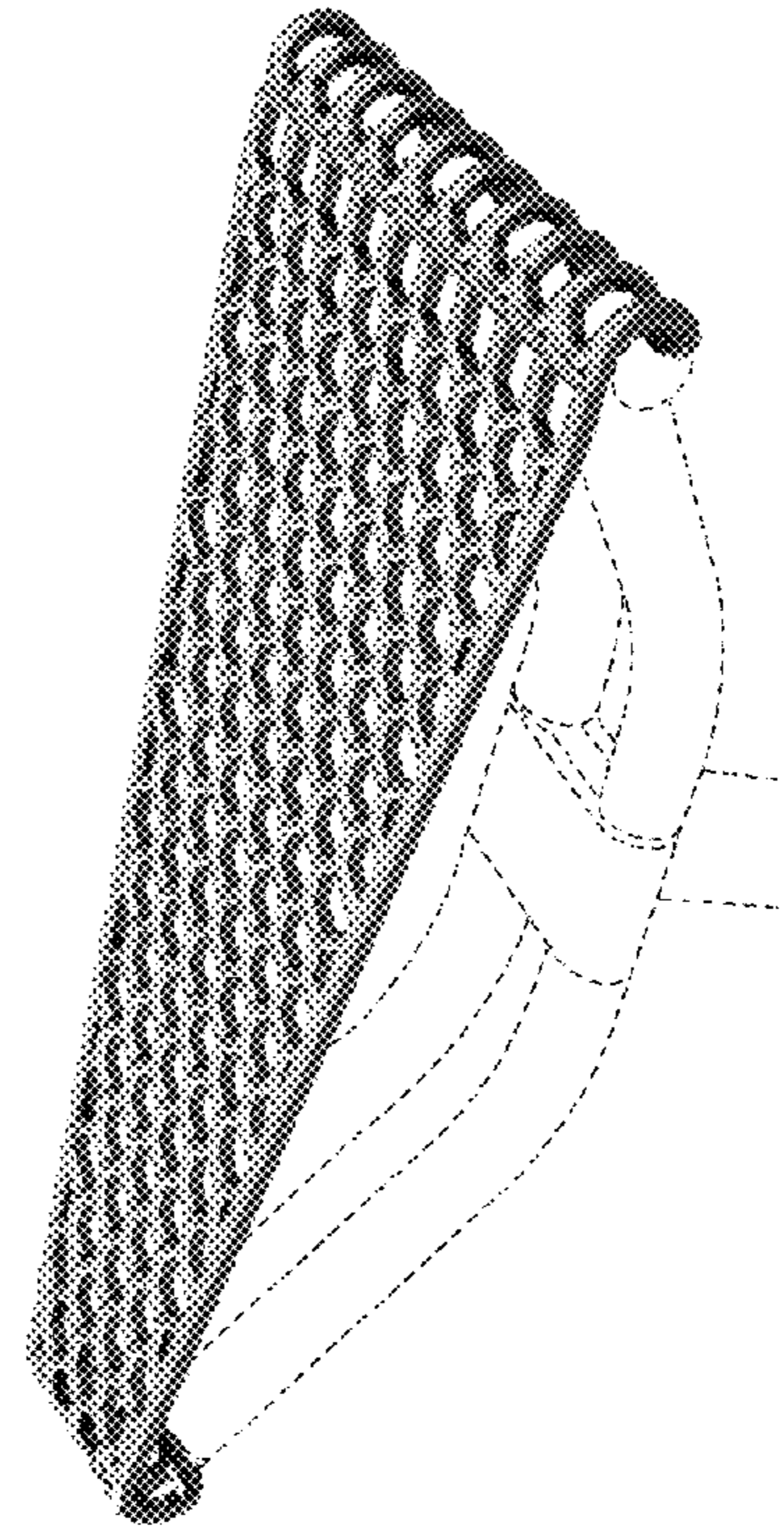


FIG. 8

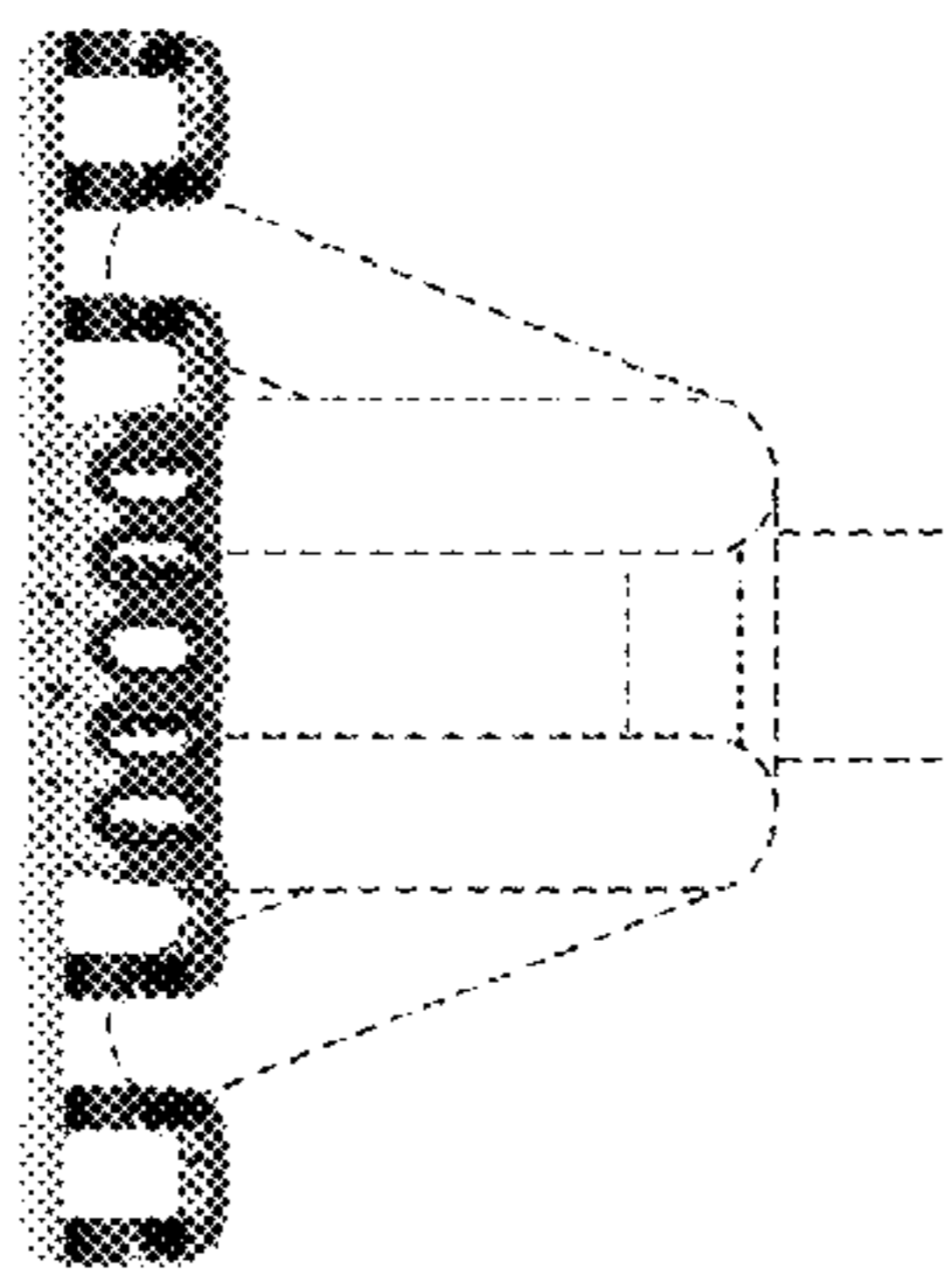


FIG. 5

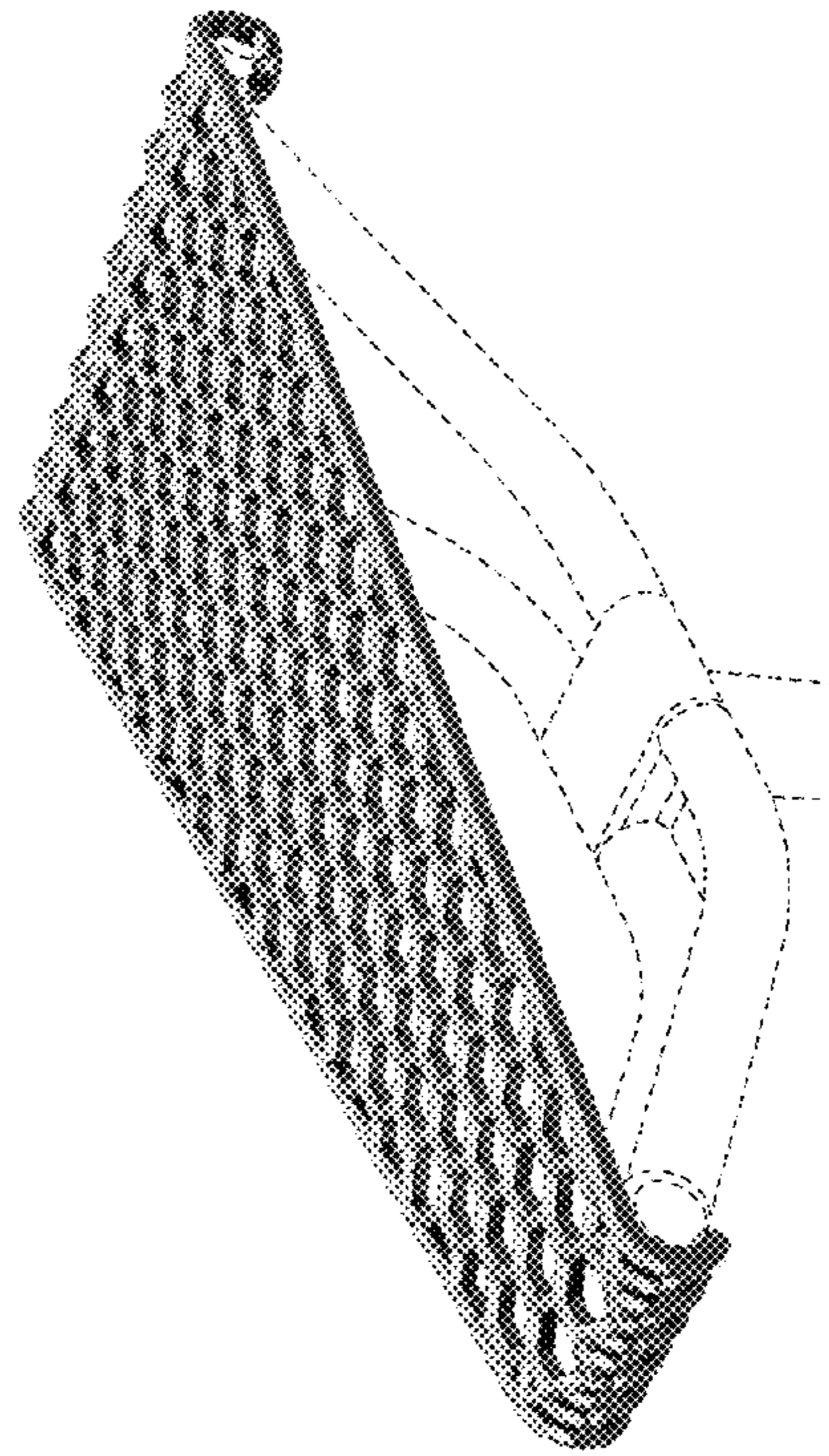


FIG. 7



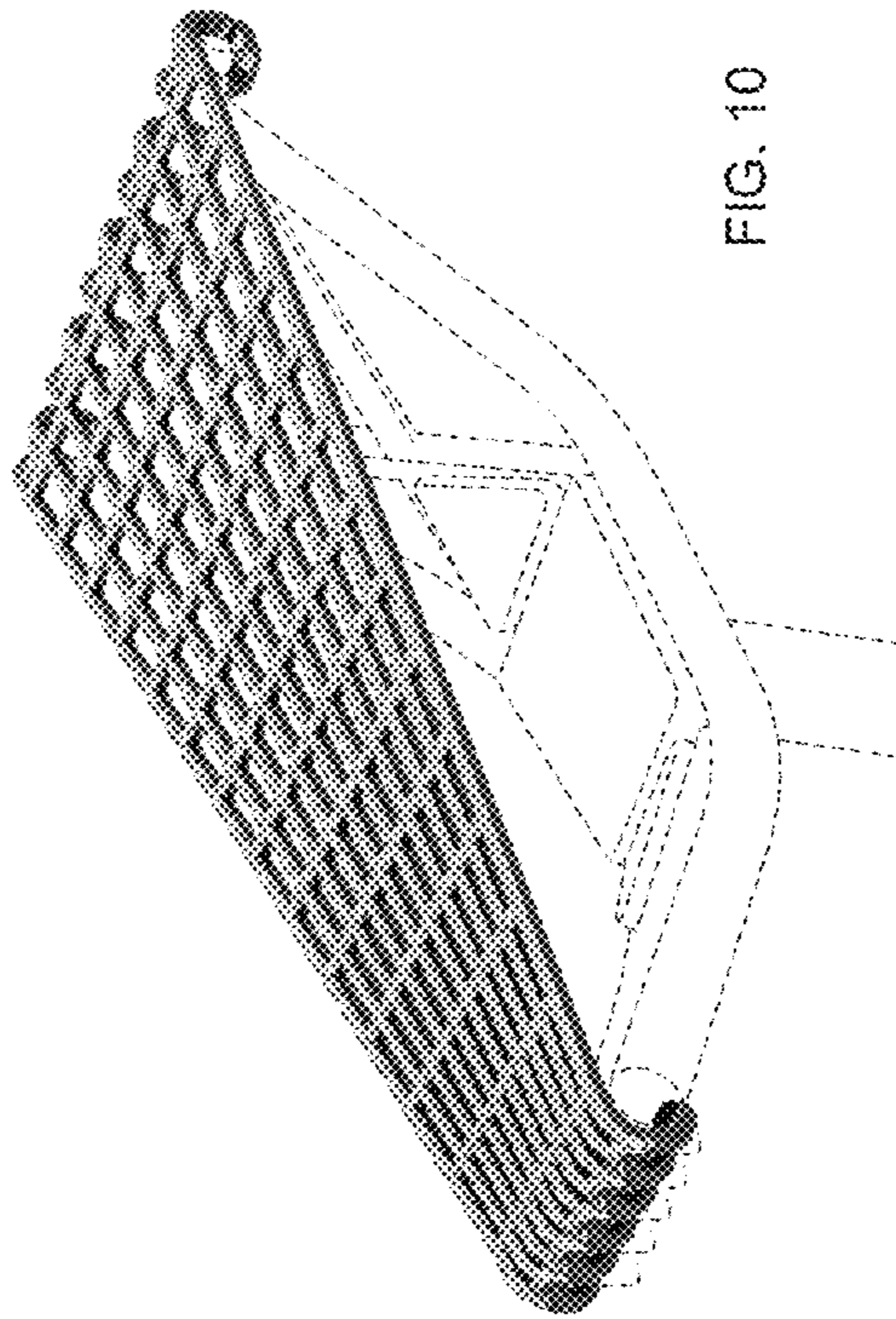


FIG. 10

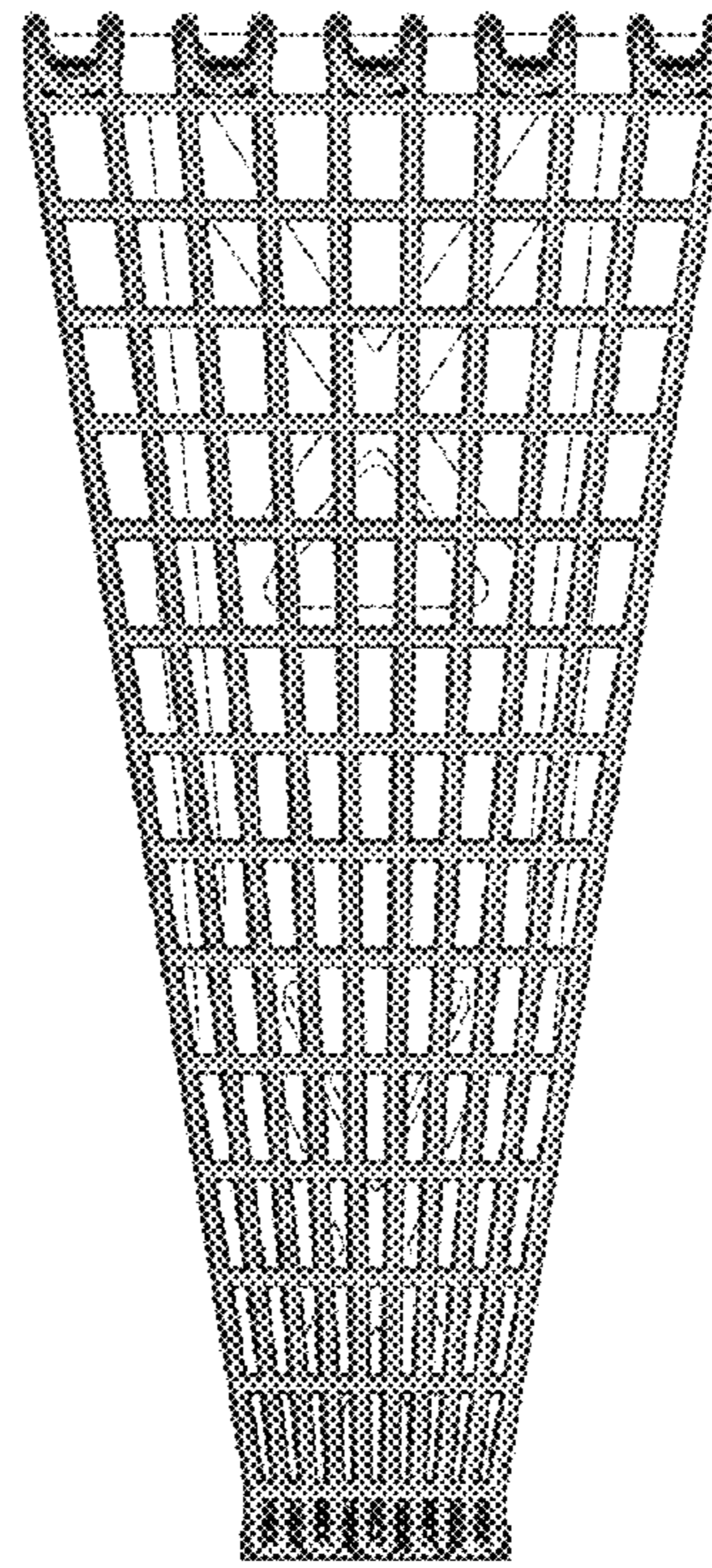


FIG. 11

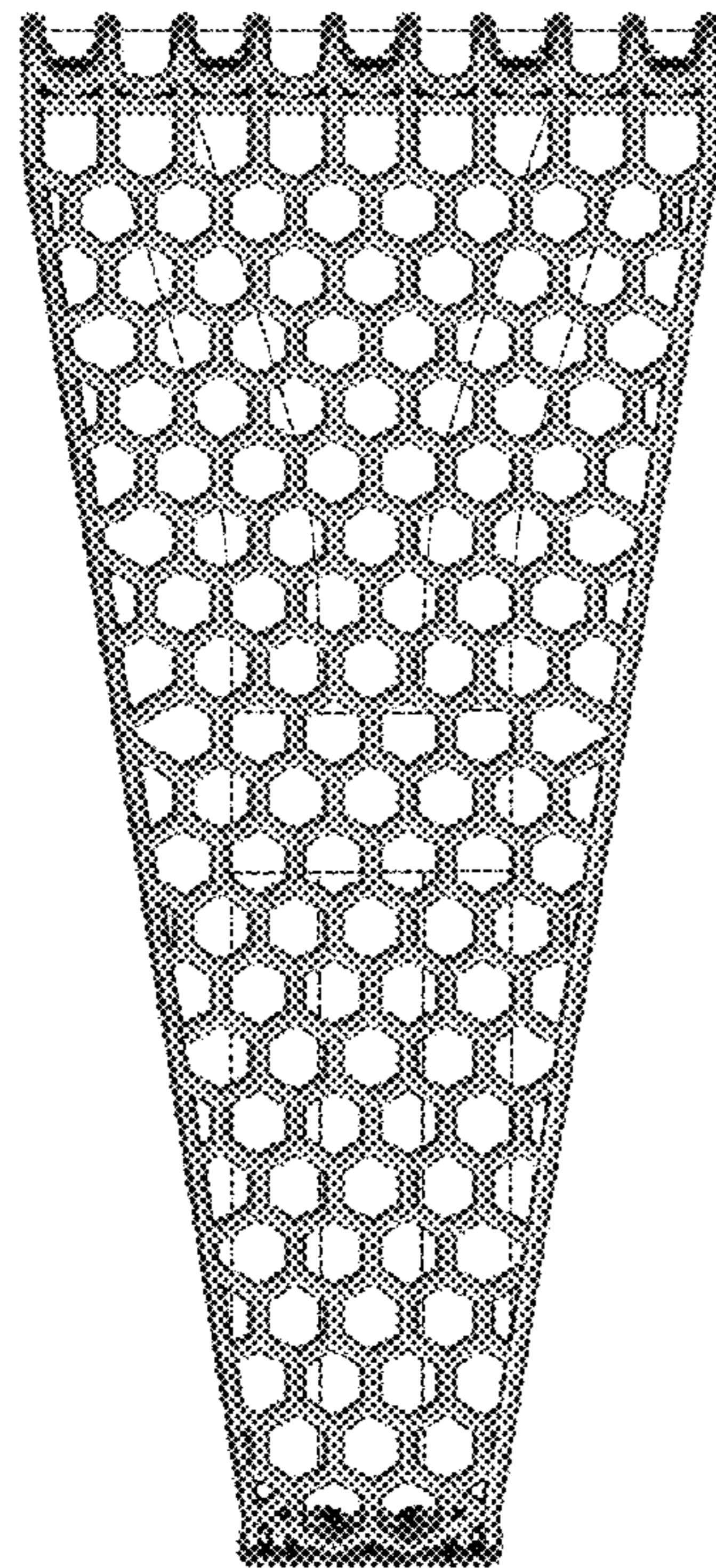


FIG. 9

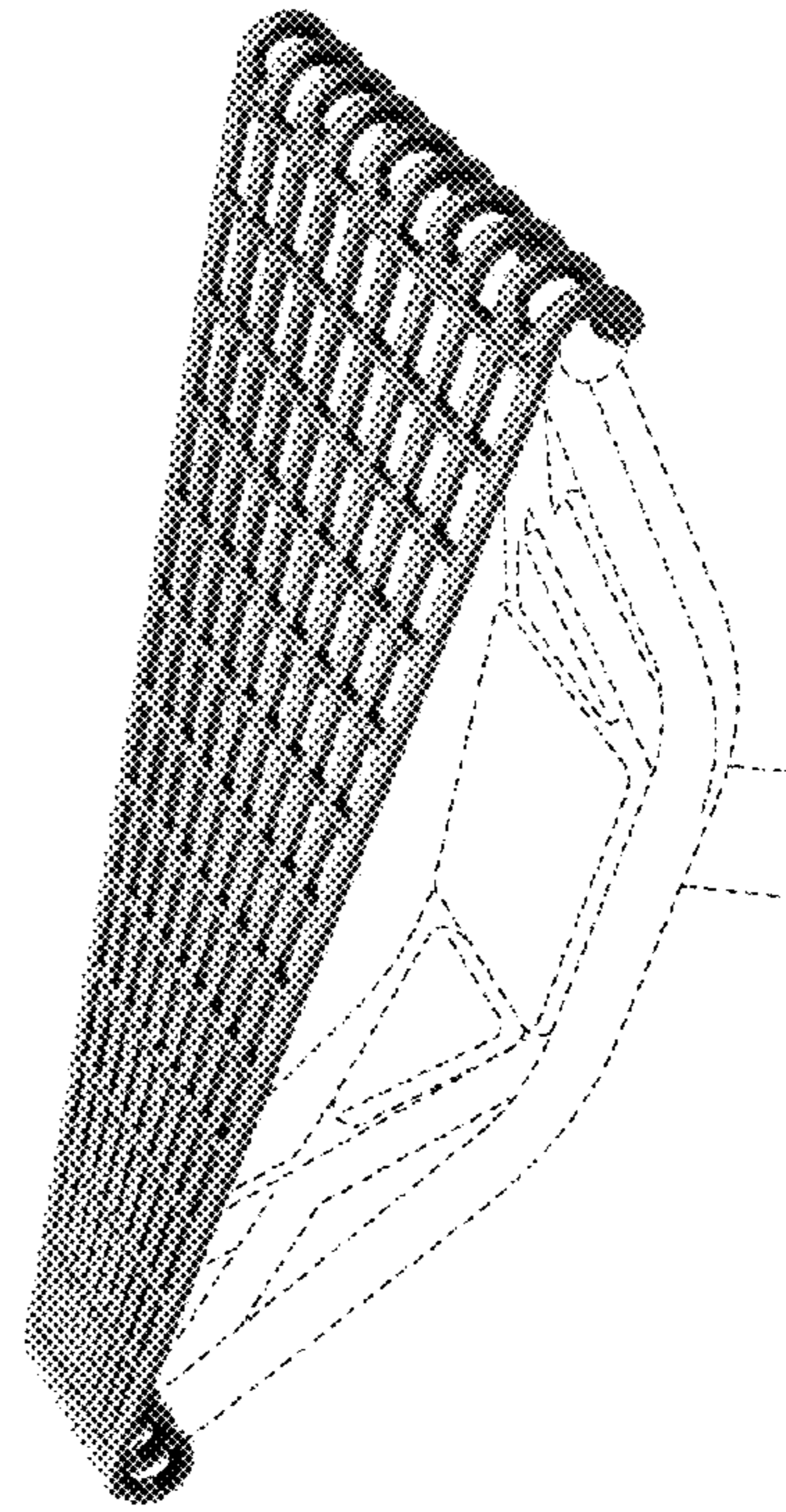


FIG. 12



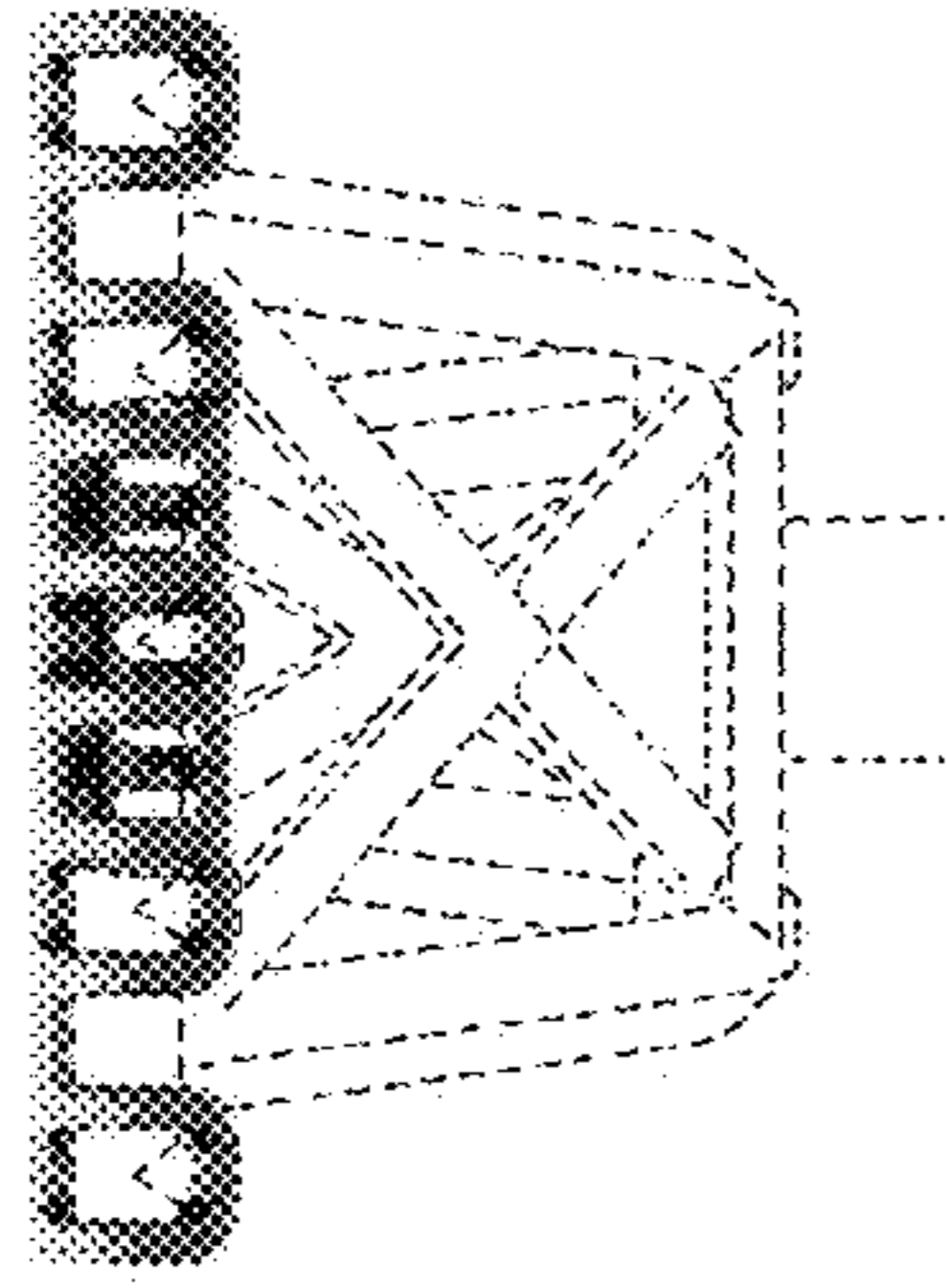


FIG. 14

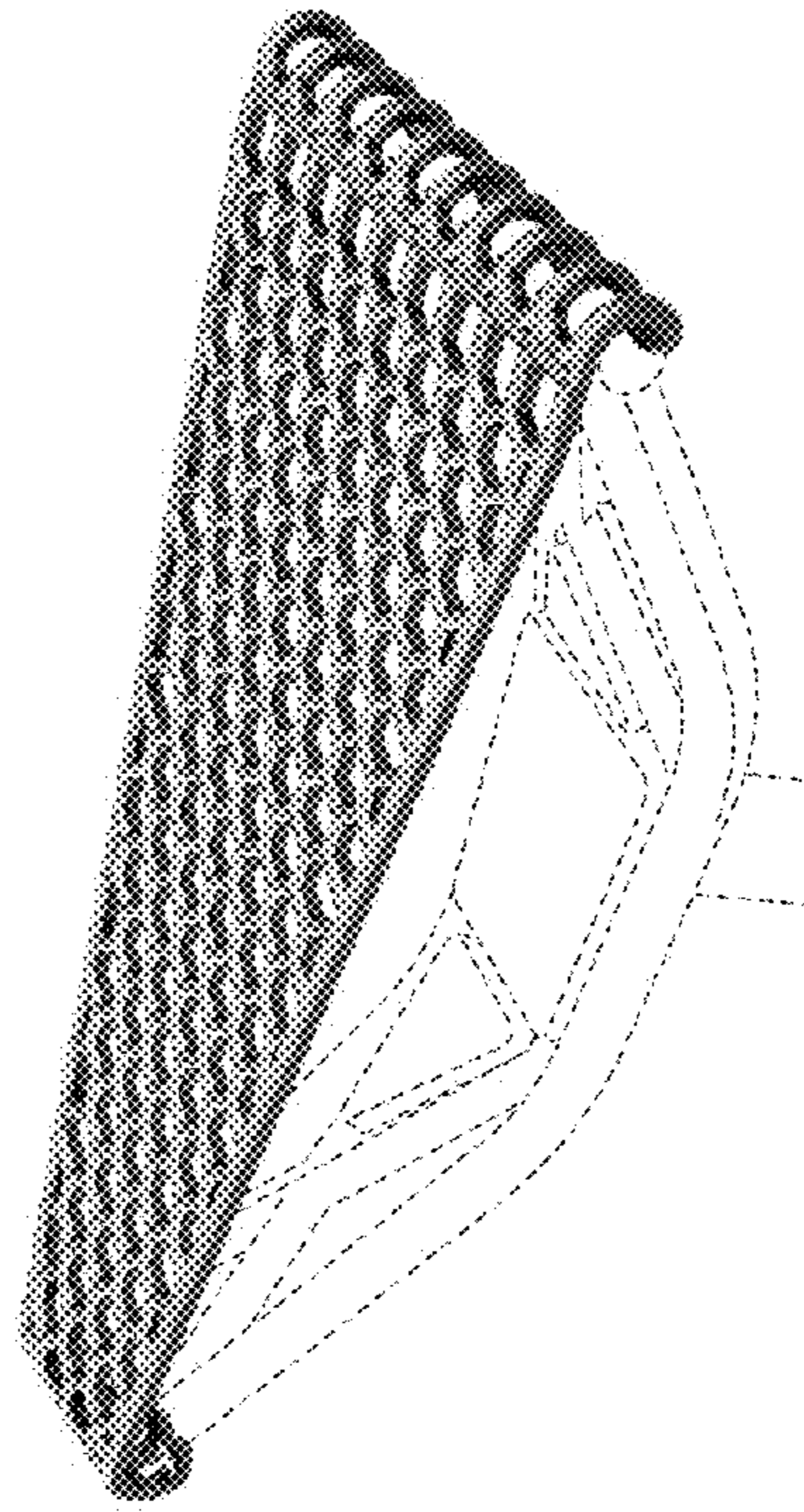


FIG. 16

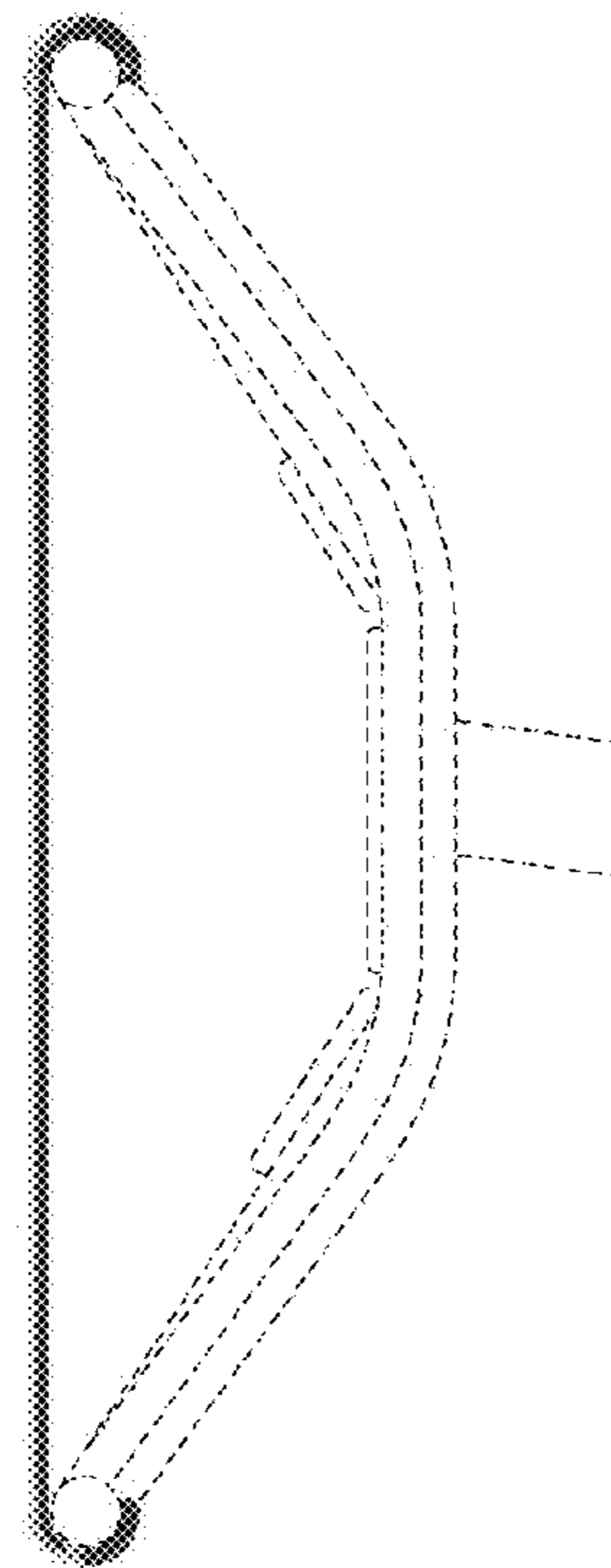


FIG. 13

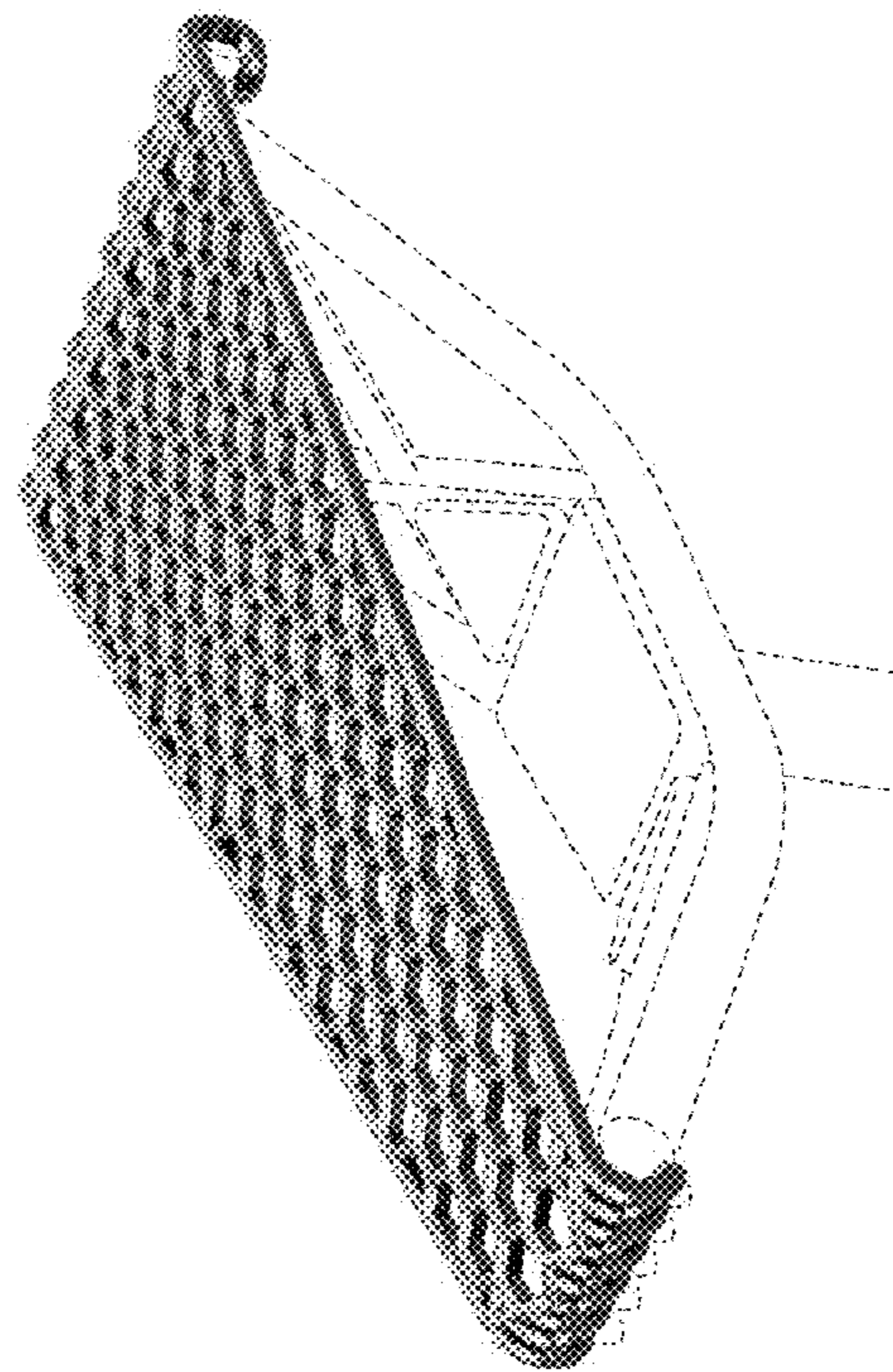


FIG. 15



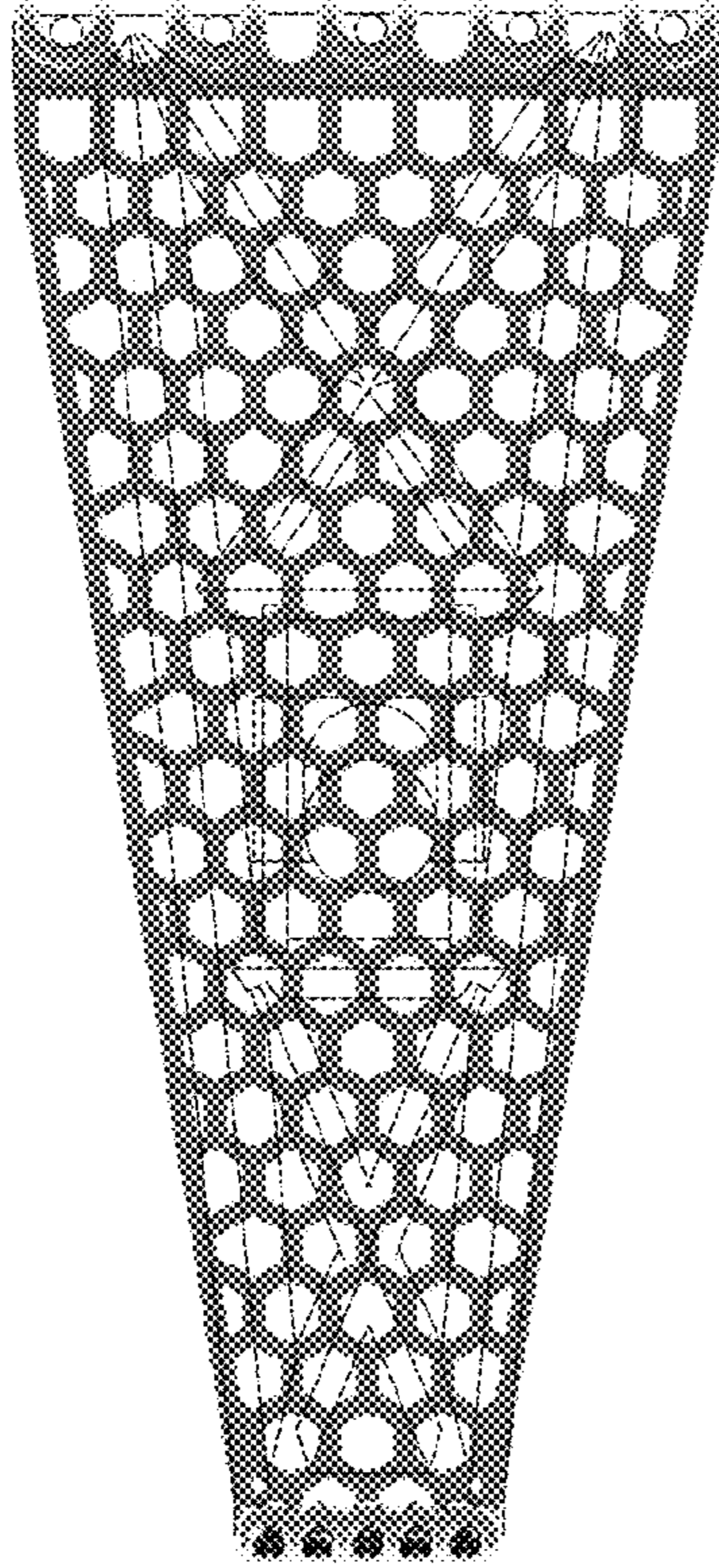


FIG. 18

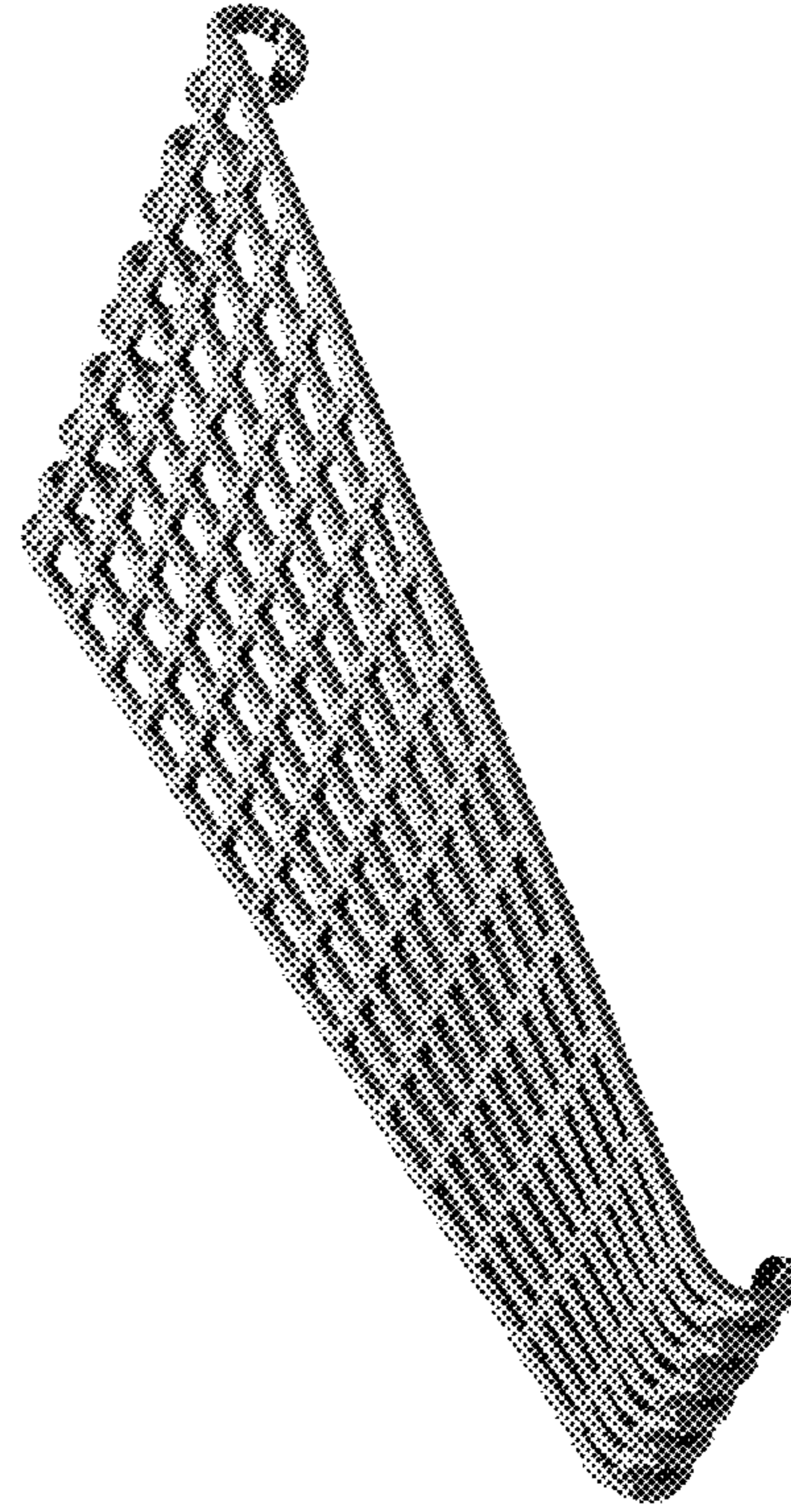


FIG. 19

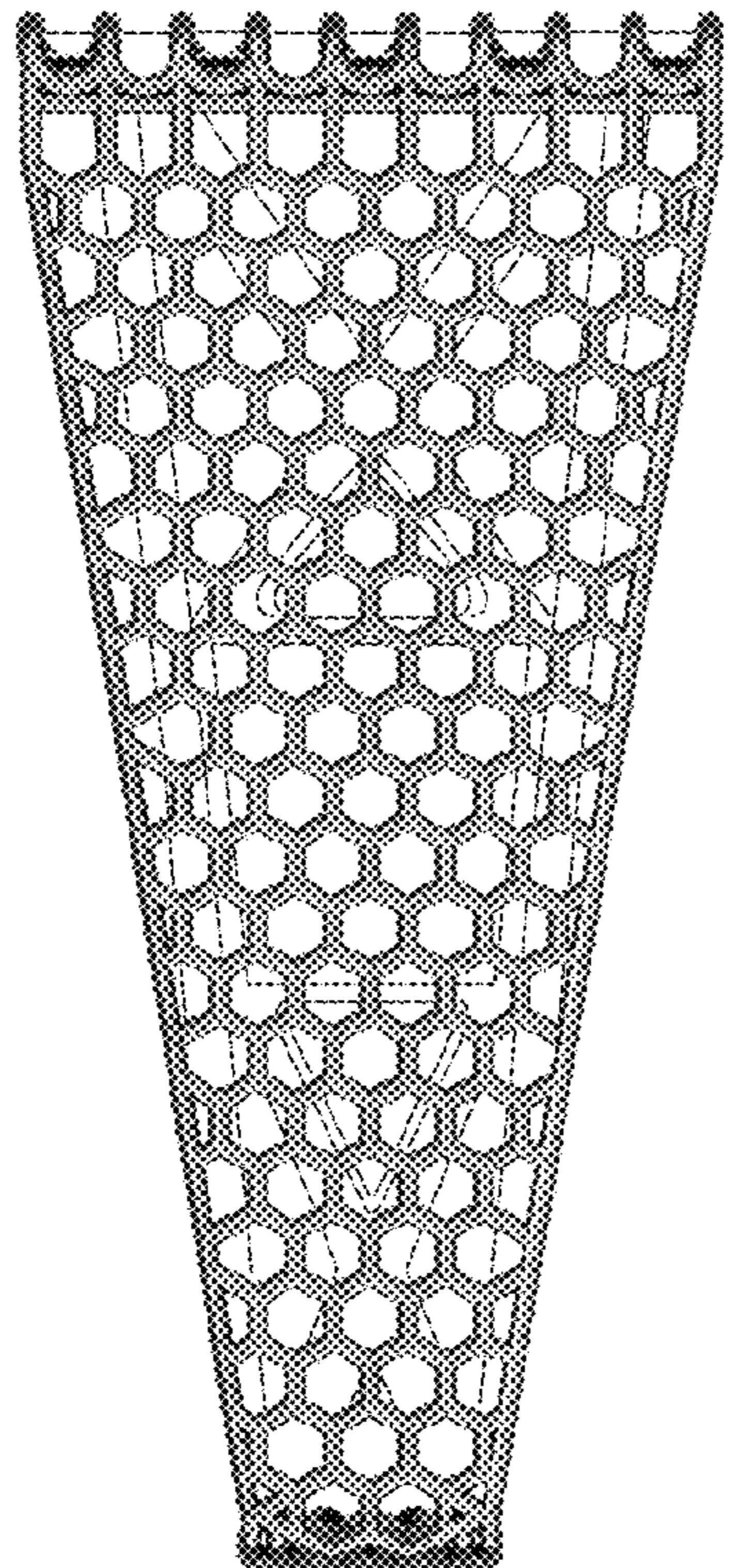


FIG. 17

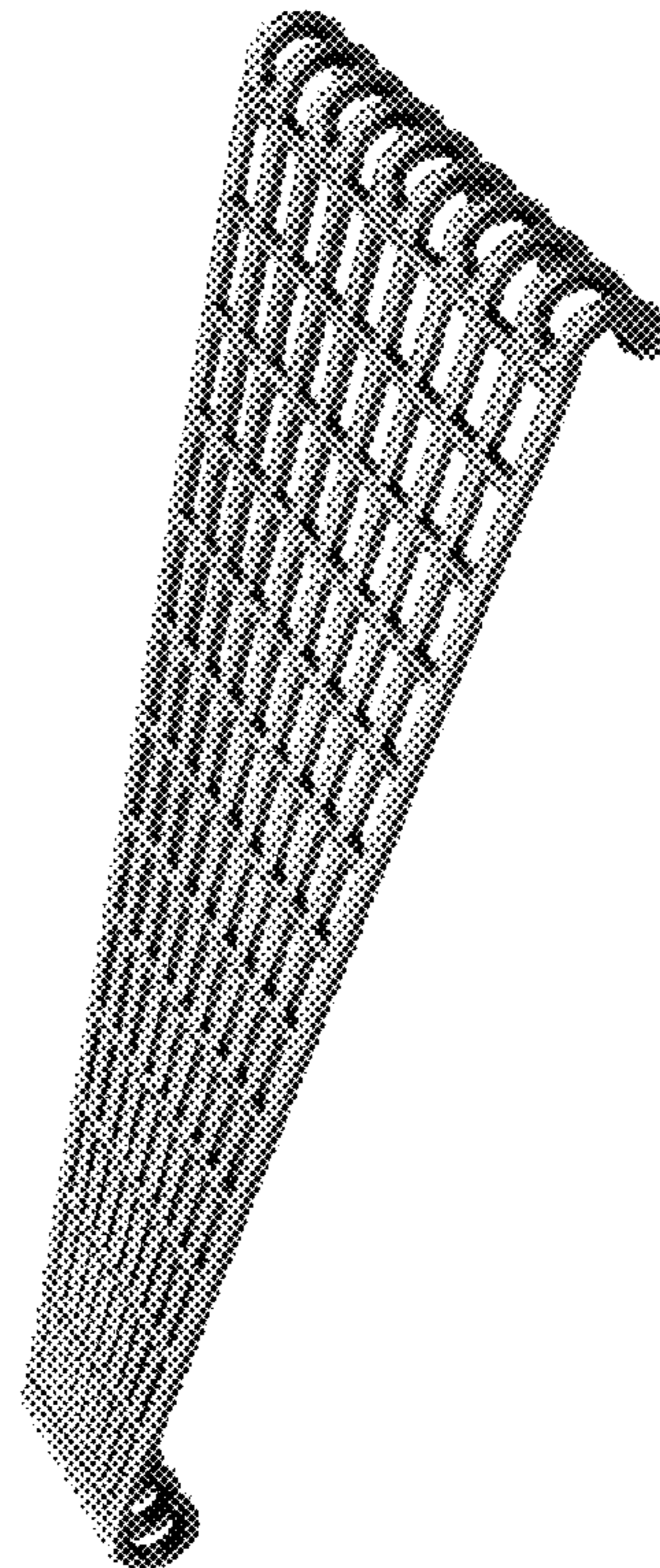


FIG. 20



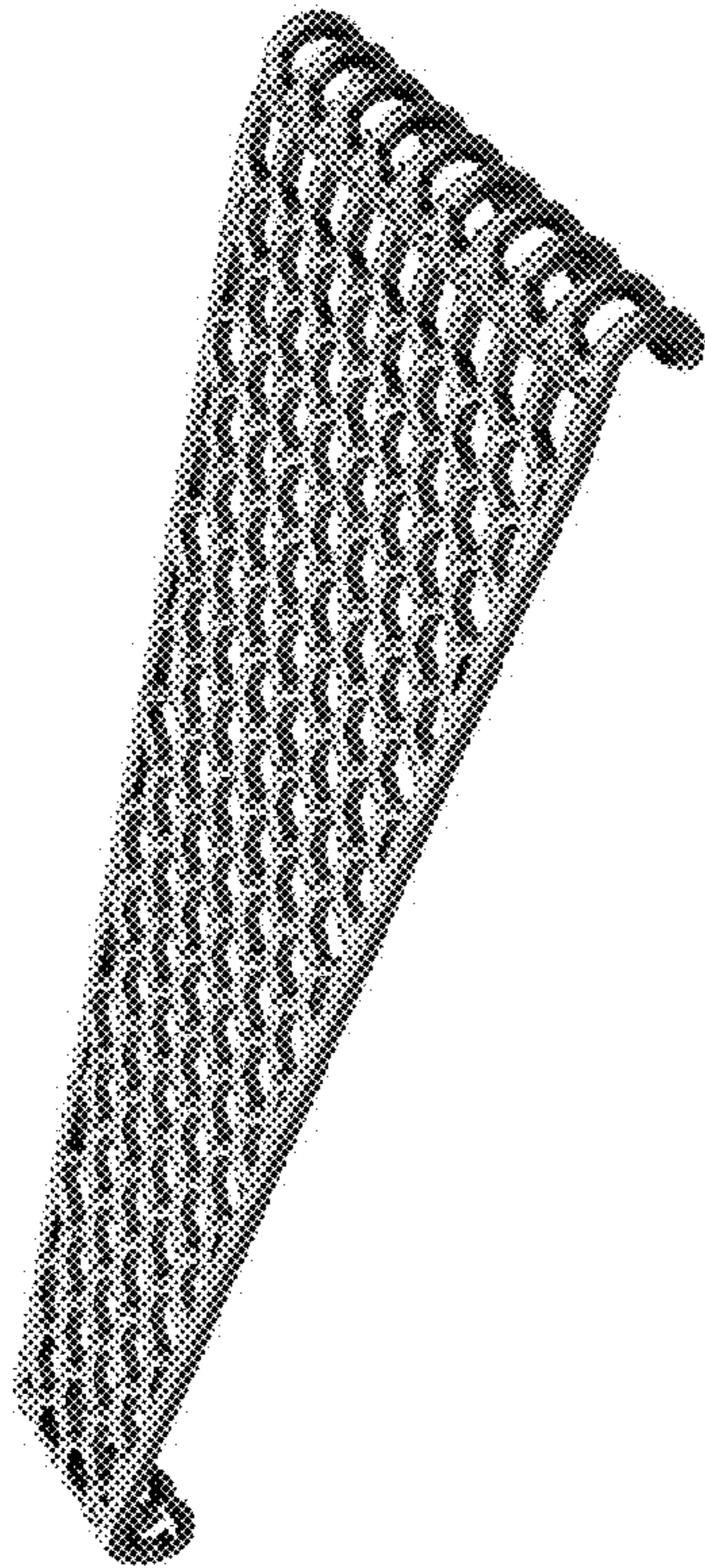


FIG. 23

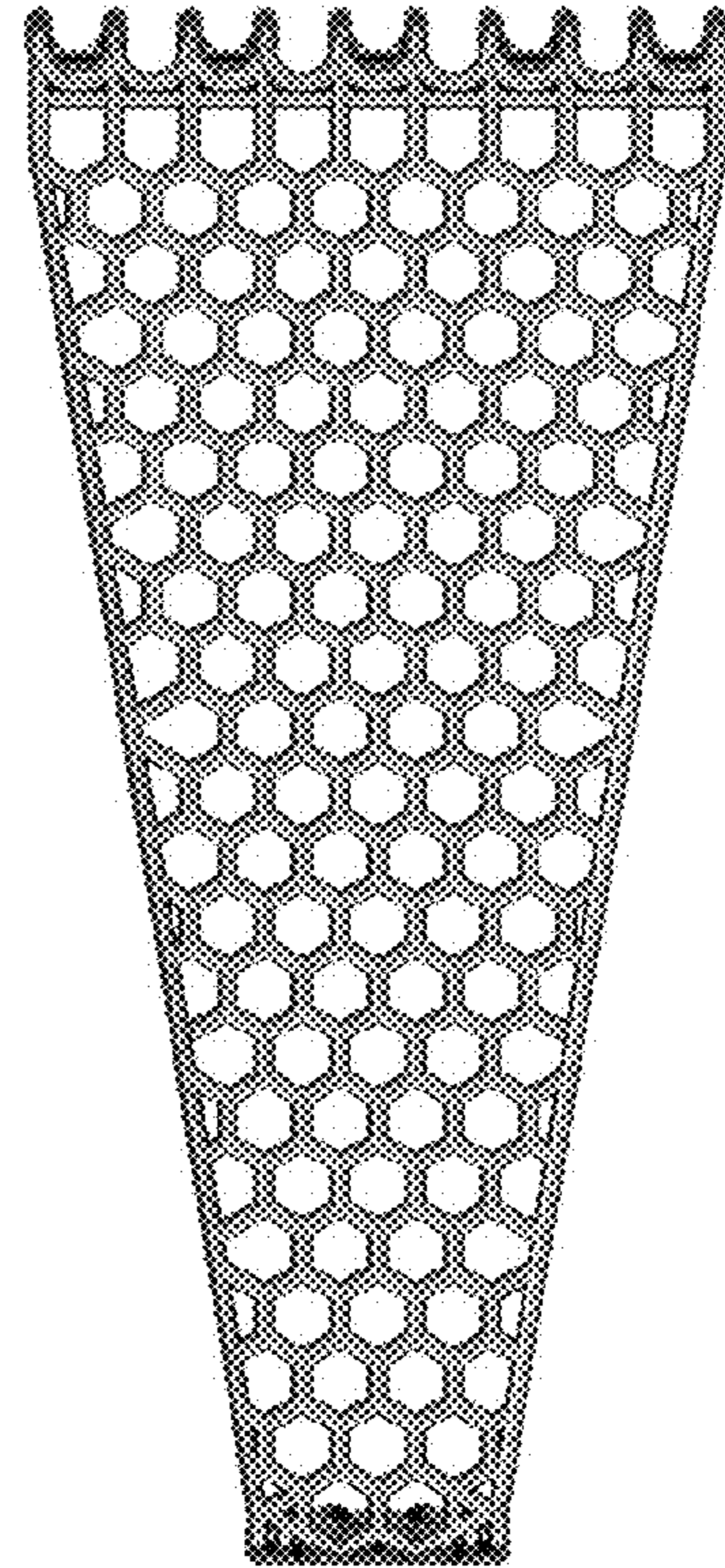


FIG. 24

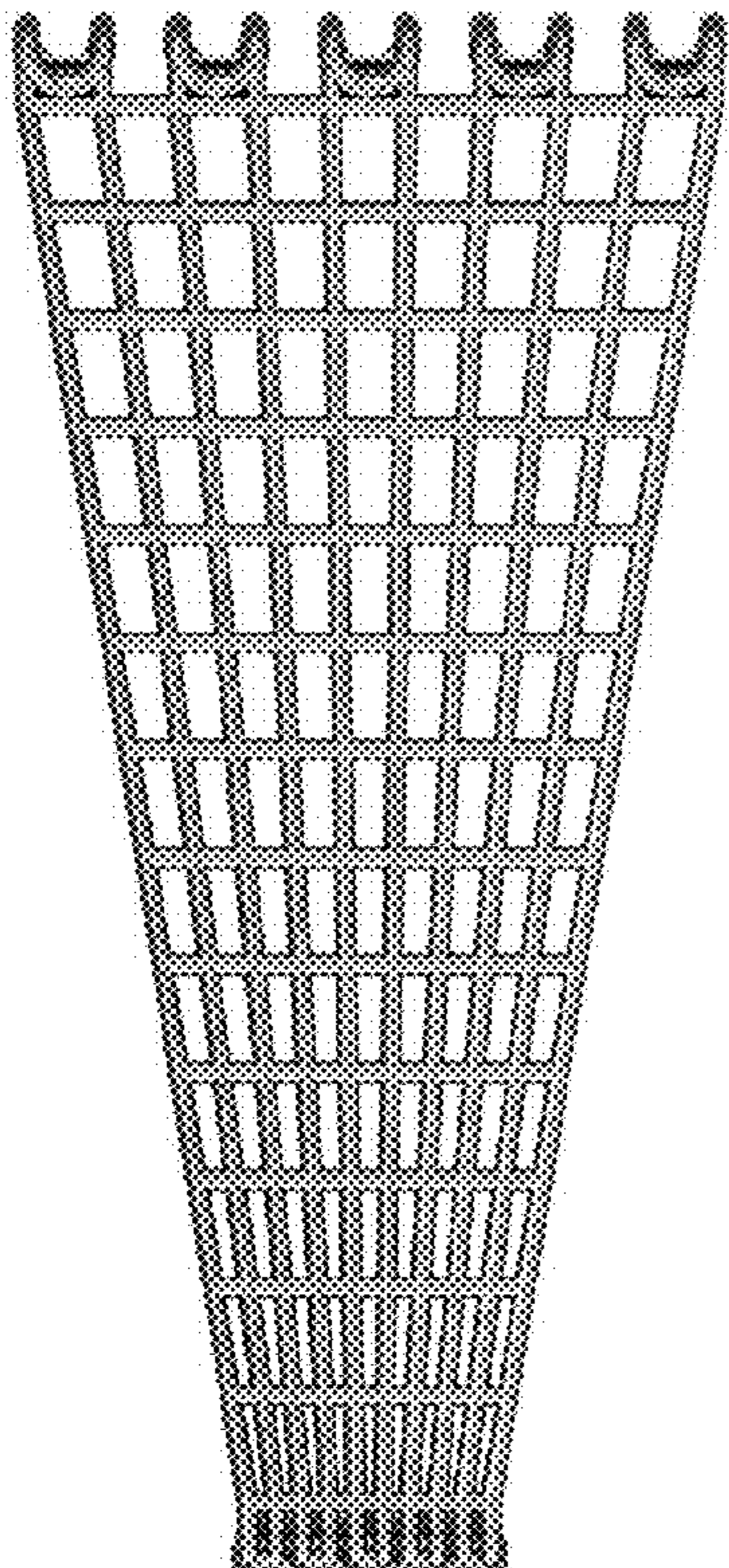


FIG. 21

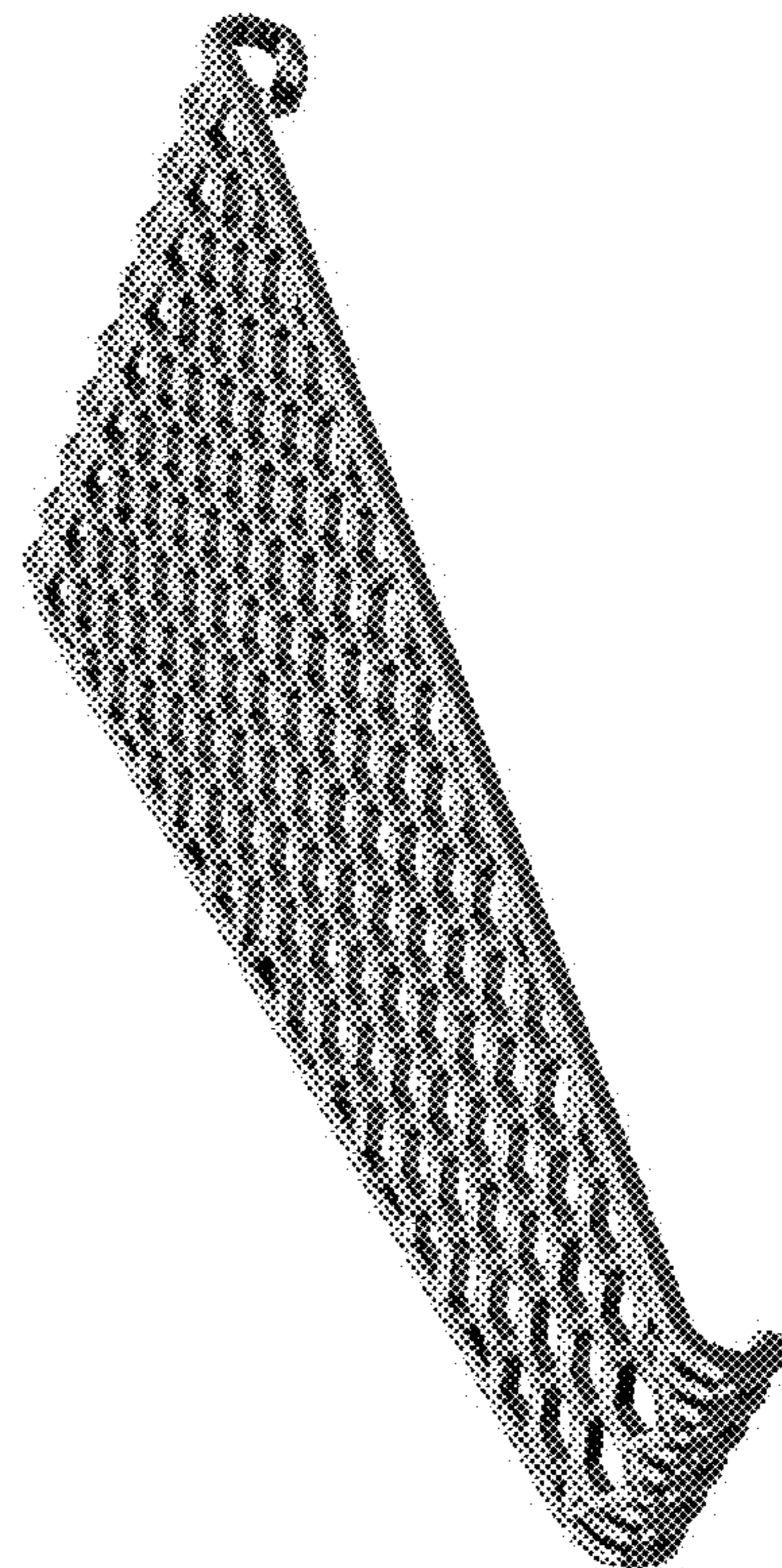


FIG. 22