



US00D692244S

(12) **United States Design Patent**
Romero et al.

(10) **Patent No.:** **US D692,244 S**

(45) **Date of Patent:** **** Oct. 29, 2013**

(54) **ROBE HOOK**

(75) Inventors: **Emilie Williams Romero**, Chicago, IL (US); **Marcus Bosch**, Chicago, IL (US)

(73) Assignee: **Liberty Hardware Mfg. Corp.**, Winston-Salem, NC (US)

(**) Term: **14 Years**

(21) Appl. No.: **29/414,329**

(22) Filed: **Feb. 28, 2012**

(51) **LOC (9) Cl.** **06-08**

(52) **U.S. Cl.**
USPC **D6/323**

(58) **Field of Classification Search**
USPC D6/315-328; 223/85-98; D8/300, 307, D8/310, 321, 349, 354, 367, 372, 373; 248/304, 690; D26/13, 72, 102, 111
See application file for complete search history.

(56) **References Cited**

U.S. PATENT DOCUMENTS

D239,068 S *	3/1976	Read	D8/367
D256,867 S *	9/1980	Ryan et al.	D6/323
D526,132 S *	8/2006	Solowiej	D6/323
D535,110 S *	1/2007	Hoernig	D6/323

D568,621 S *	5/2008	Krumpe et al.	D6/323
D580,186 S *	11/2008	Krumpe et al.	D6/323
D607,649 S *	1/2010	Koury	D6/323
D630,027 S *	1/2011	Romero	D6/323
D671,819 S *	12/2012	Kwok et al.	D8/367
D680,367 S *	4/2013	Yoo	D7/367

* cited by examiner

Primary Examiner — Derrick Holland

Assistant Examiner — Lauren Calve

(74) *Attorney, Agent, or Firm* — Lora J. Graentzdoerffer

(57) **CLAIM**

The ornamental design for a robe hook, as shown and described.

DESCRIPTION

FIG. 1 is a perspective view of a robe hook showing our design;

FIG. 2 is a left side elevational view thereof;

FIG. 3 is a right side elevational view thereof;

FIG. 4 is a front elevational view thereof;

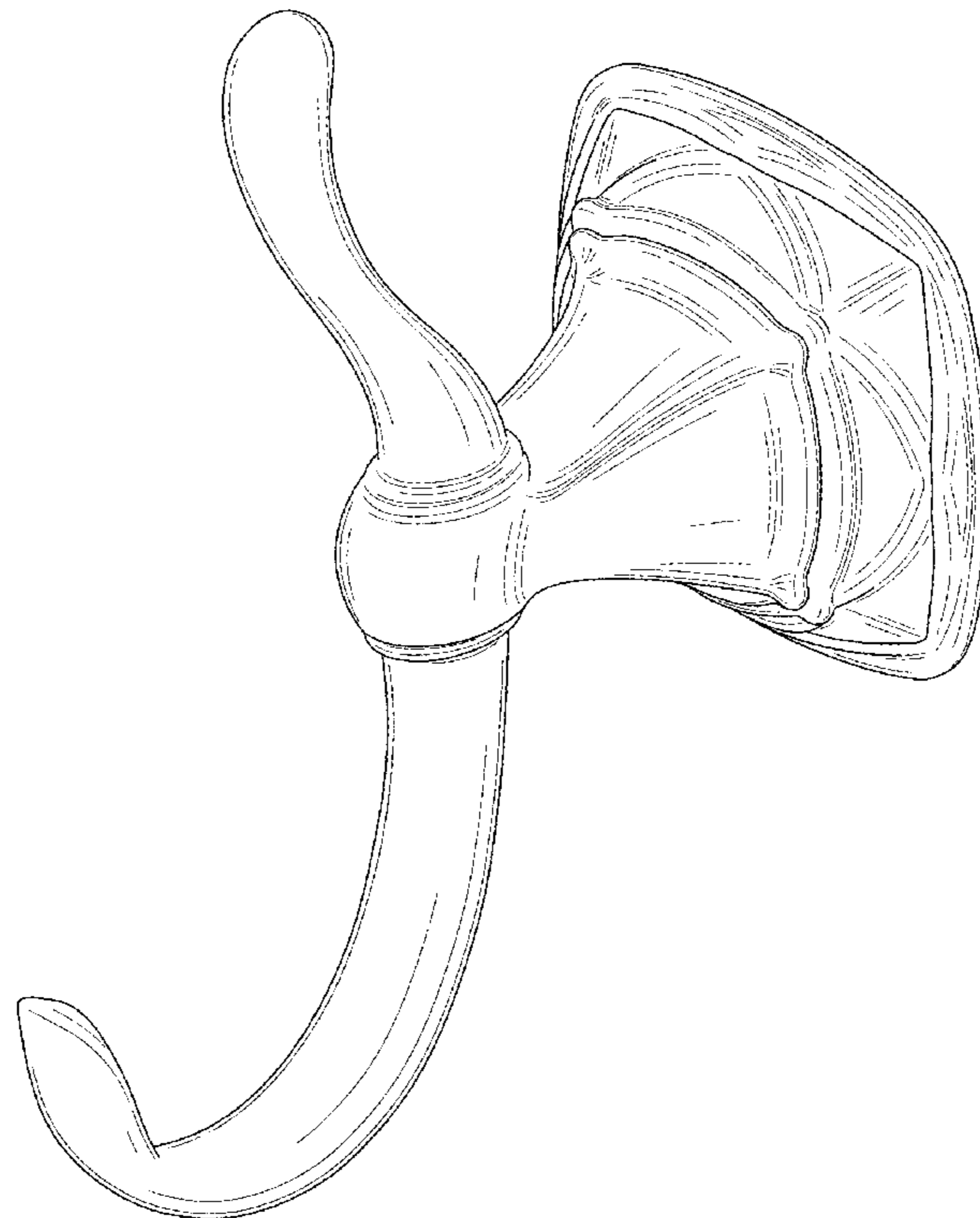
FIG. 5 is a rear elevational view thereof;

FIG. 6 is a top plan view thereof; and,

FIG. 7 is a bottom plan view thereof.

The broken line showing in FIG. 5 represents unclaimed subject matter and forms no part of the claimed design.

1 Claim, 7 Drawing Sheets



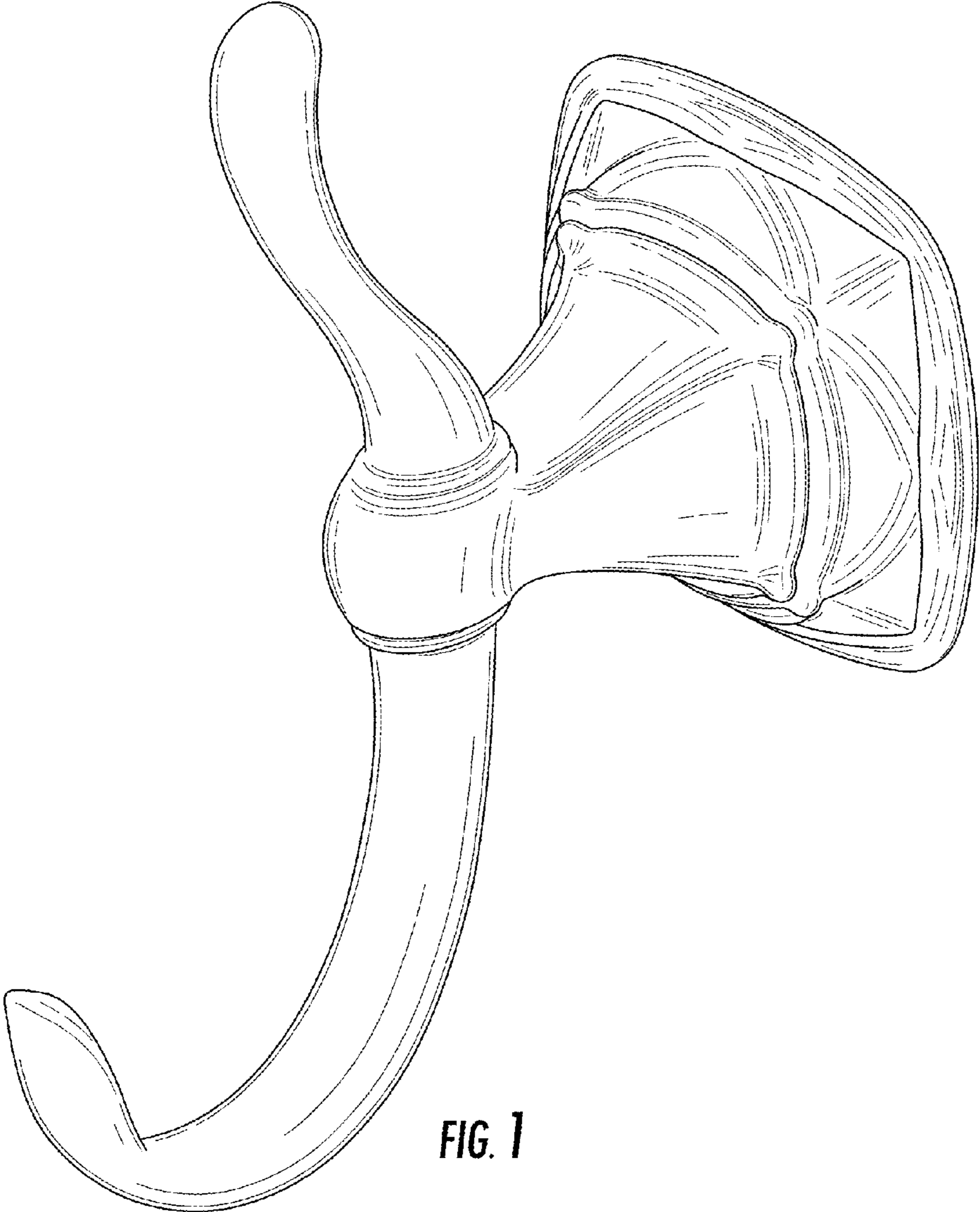


FIG. 1

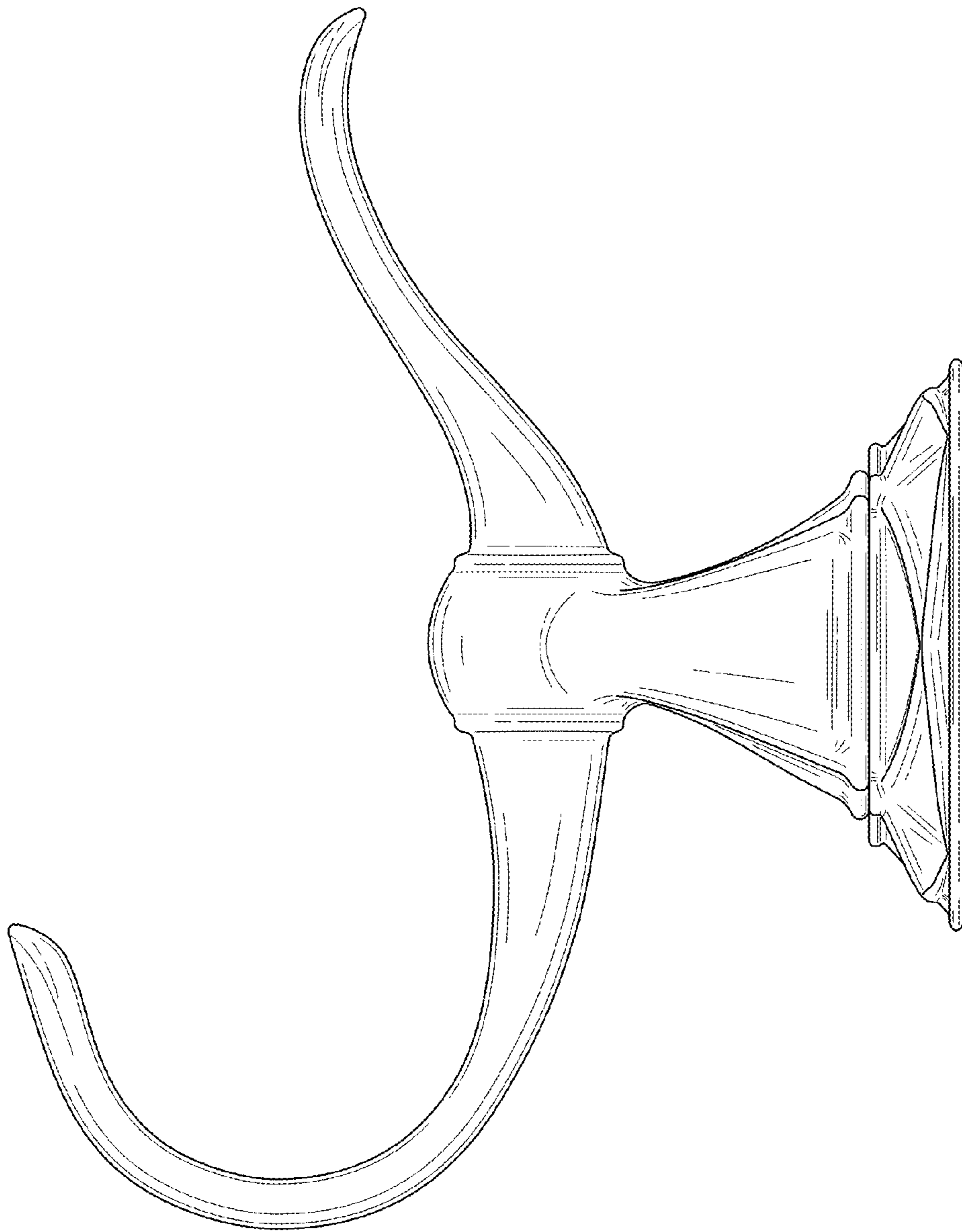


FIG. 2

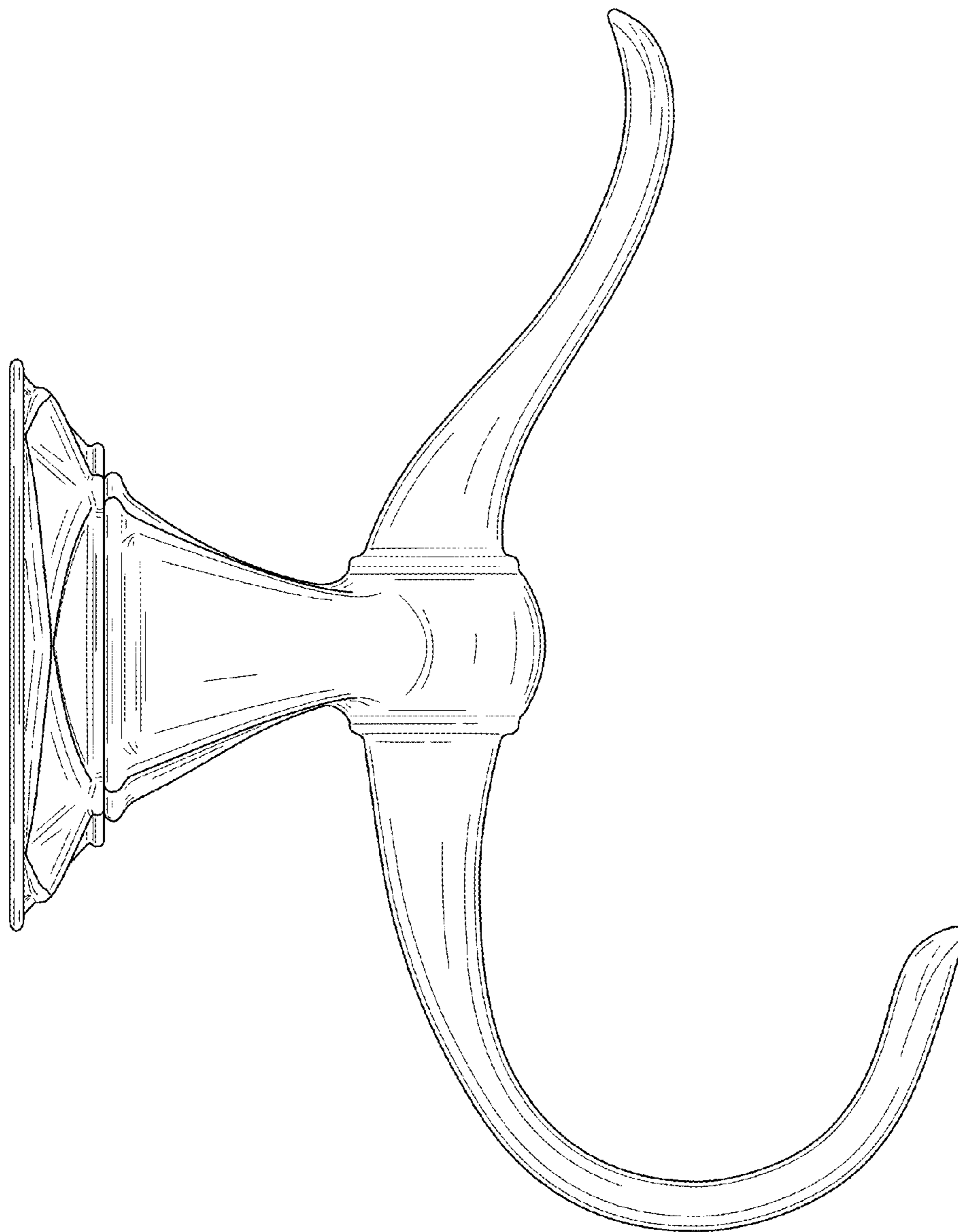


FIG. 3

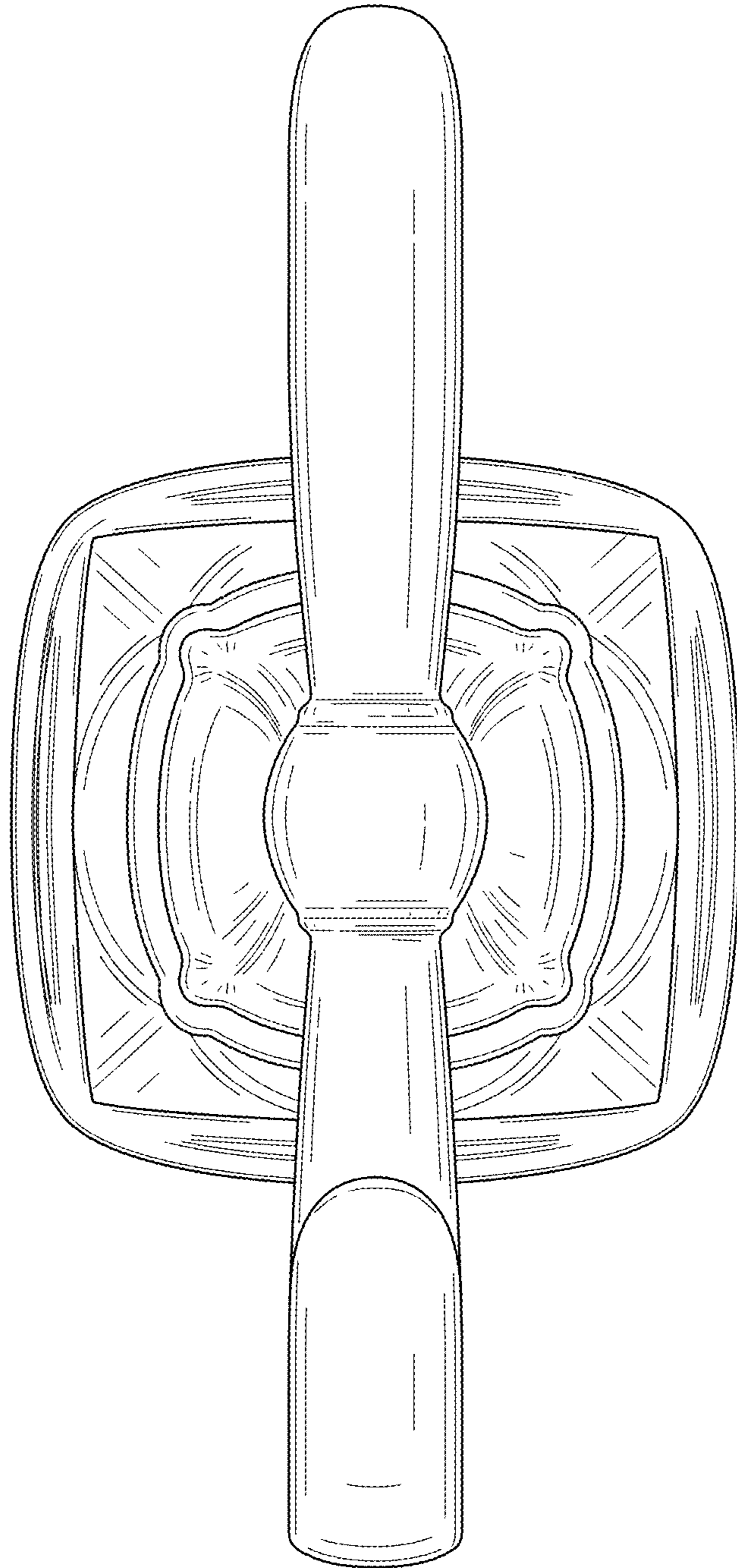


FIG. 4

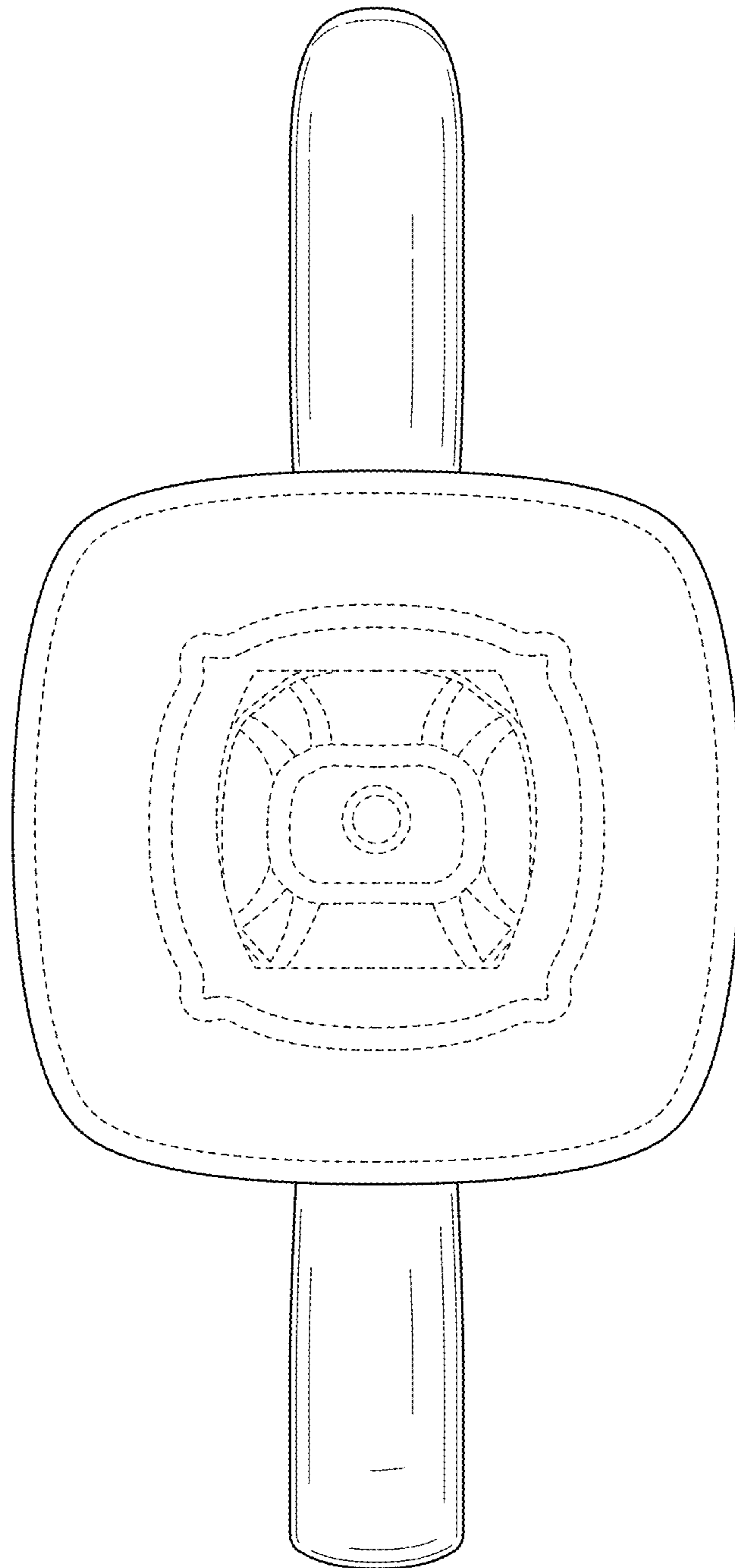


FIG. 5

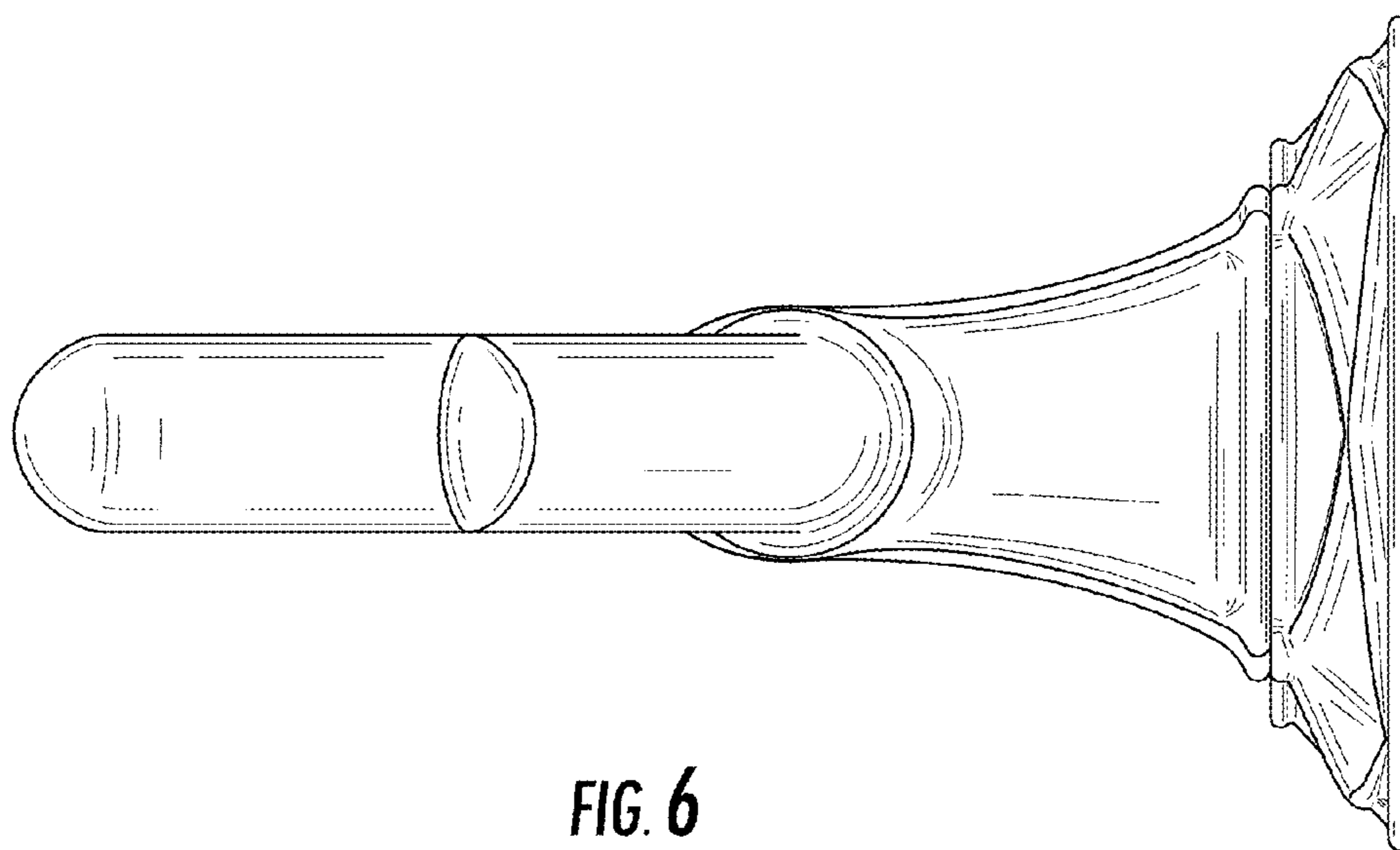


FIG. 6

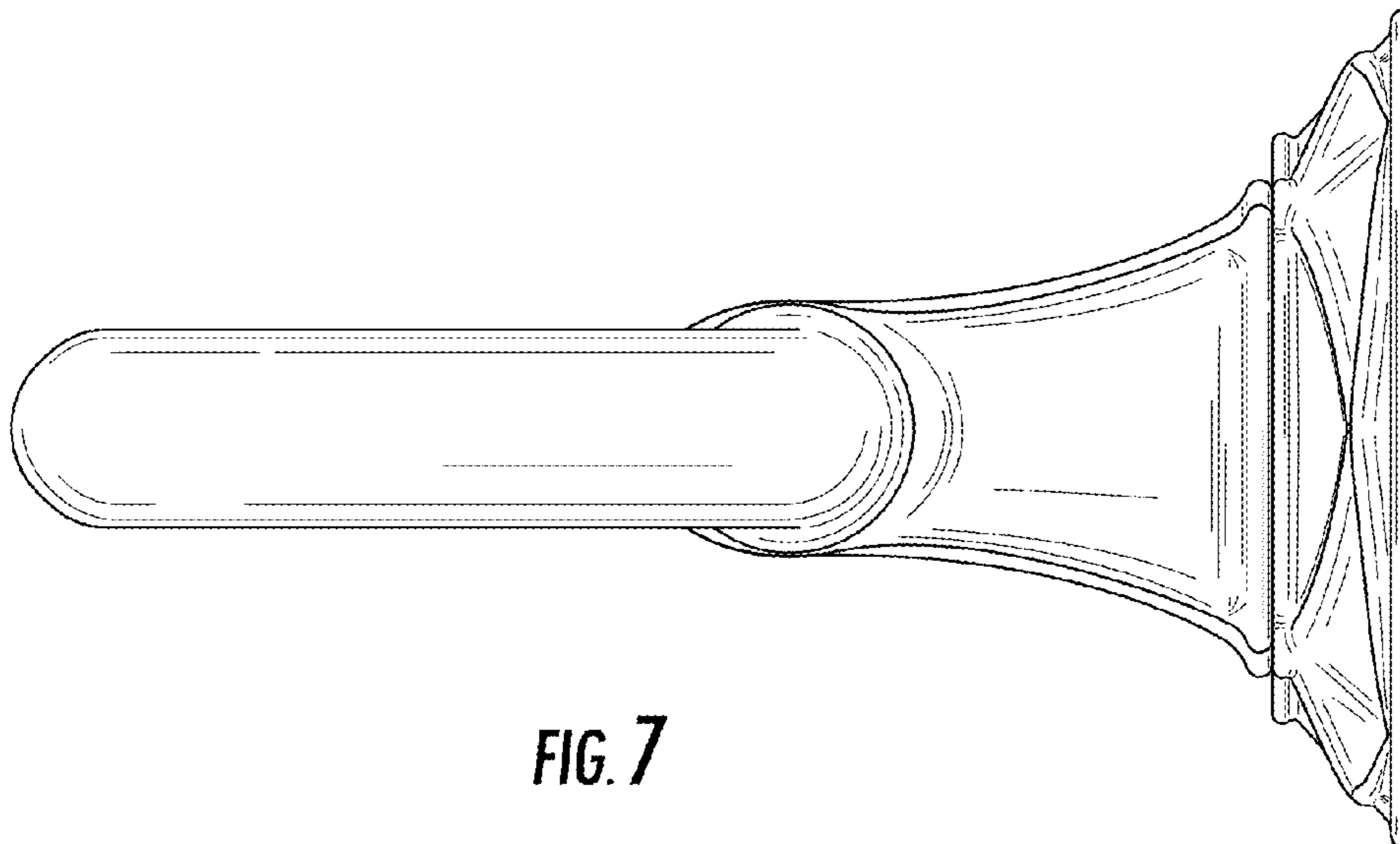


FIG. 7