



US00D692243S

(12) **United States Design Patent**
Weaver et al.

(10) **Patent No.:** **US D692,243 S**

(45) **Date of Patent:** **** Oct. 29, 2013**

(54) **HEAD OF A CLEANING DEVICE**

(71) Applicant: **Quickie Manufacturing Corporation,**
Cinnaminson, NJ (US)

(72) Inventors: **Jace Weaver,** Gilbertsville, PA (US);
Michael Schiavo, Mt. Ephraim, NJ (US)

(73) Assignee: **Quickie Manufacturing Corporation,**
Cinnaminson, NJ (US)

(**) Term: **14 Years**

(21) Appl. No.: **29/452,783**

(22) Filed: **Apr. 22, 2013**

(51) **LOC (9) Cl.** **04-99**

(52) **U.S. Cl.**
USPC **D4/199**

(58) **Field of Classification Search**
USPC D32/40-45, 50-52; 15/118, 244.1,
15/244.2, 244.3, 244.4, 116.1, 116.2,
15/119.1, 119.2, 104.9, 228, 229.2, 229.4;
401/135-140; D4/199
See application file for complete search history.

(56) **References Cited**

U.S. PATENT DOCUMENTS

D99,109 S *	3/1936	Bickel	D4/132
D100,724 S *	8/1936	Strassheim	D4/132
D287,173 S *	12/1986	Libman	D32/51
D292,650 S *	11/1987	Schmitz	D4/137
5,274,872 A *	1/1994	Rich	15/145
D377,122 S *	1/1997	Lofton	D4/132
D384,818 S *	10/1997	Wolfenden	D4/199
D415,616 S *	10/1999	Camp et al.	D4/199

D441,093 S *	4/2001	Johnson	D25/62
D474,563 S *	5/2003	Bresciani	D25/109
D480,564 S *	10/2003	Petner	D4/199
D511,046 S *	11/2005	Berti	D4/199
D513,809 S *	1/2006	Zimmerle et al.	D25/138
D561,476 S *	2/2008	Vosbikian et al.	D4/132
D582,624 S *	12/2008	Zhang	D34/31
D597,719 S *	8/2009	McNeil et al.	D32/51
D627,978 S *	11/2010	Libman	D4/199
D630,022 S *	1/2011	Giacolo et al.	D4/199
D642,883 S *	8/2011	Grennell et al.	D8/45
D663,533 S *	7/2012	Pottes	D4/199
D666,034 S *	8/2012	Gaska et al.	D6/510

* cited by examiner

Primary Examiner — John Windmuller

(74) *Attorney, Agent, or Firm* — Jason F. Cotter; Gregory J. Winsky; Archer & Greiner, P.C.

(57) **CLAIM**

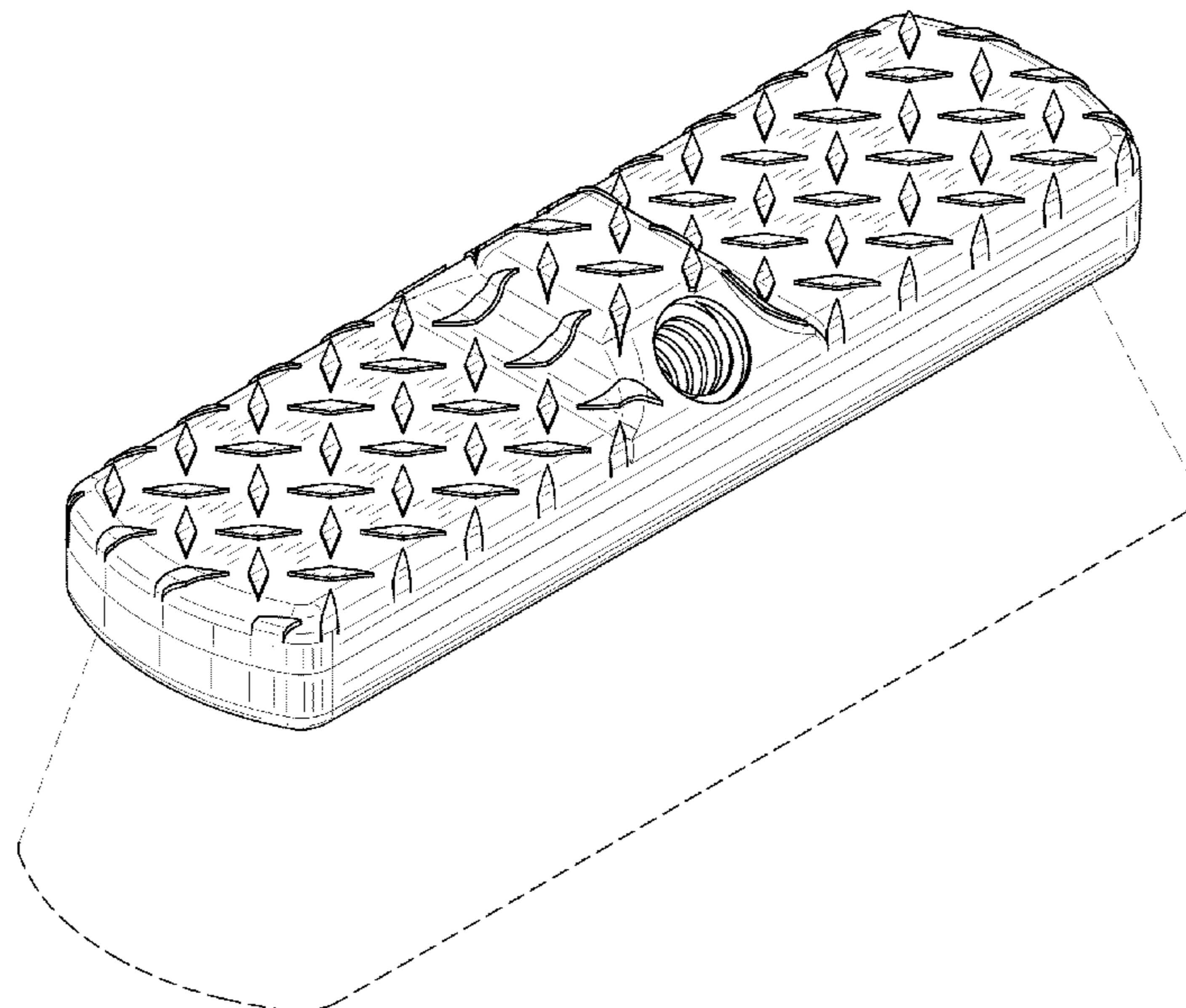
The ornamental design for a head of a cleaning device, as shown and described.

DESCRIPTION

FIG. 1 is a perspective view of a head of a cleaning device showing our new design;
FIG. 2 is a top plan view thereof;
FIG. 3 is a bottom plan view thereof;
FIG. 4 is a right side elevational view thereof;
FIG. 5 is a left side elevational view thereof;
FIG. 6 is a front elevational view thereof; and,
FIG. 7 is a rear elevational view thereof.

The broken lines shown in the drawings represent unclaimed portions of the head of a cleaning device and form no part of the claimed design.

1 Claim, 4 Drawing Sheets



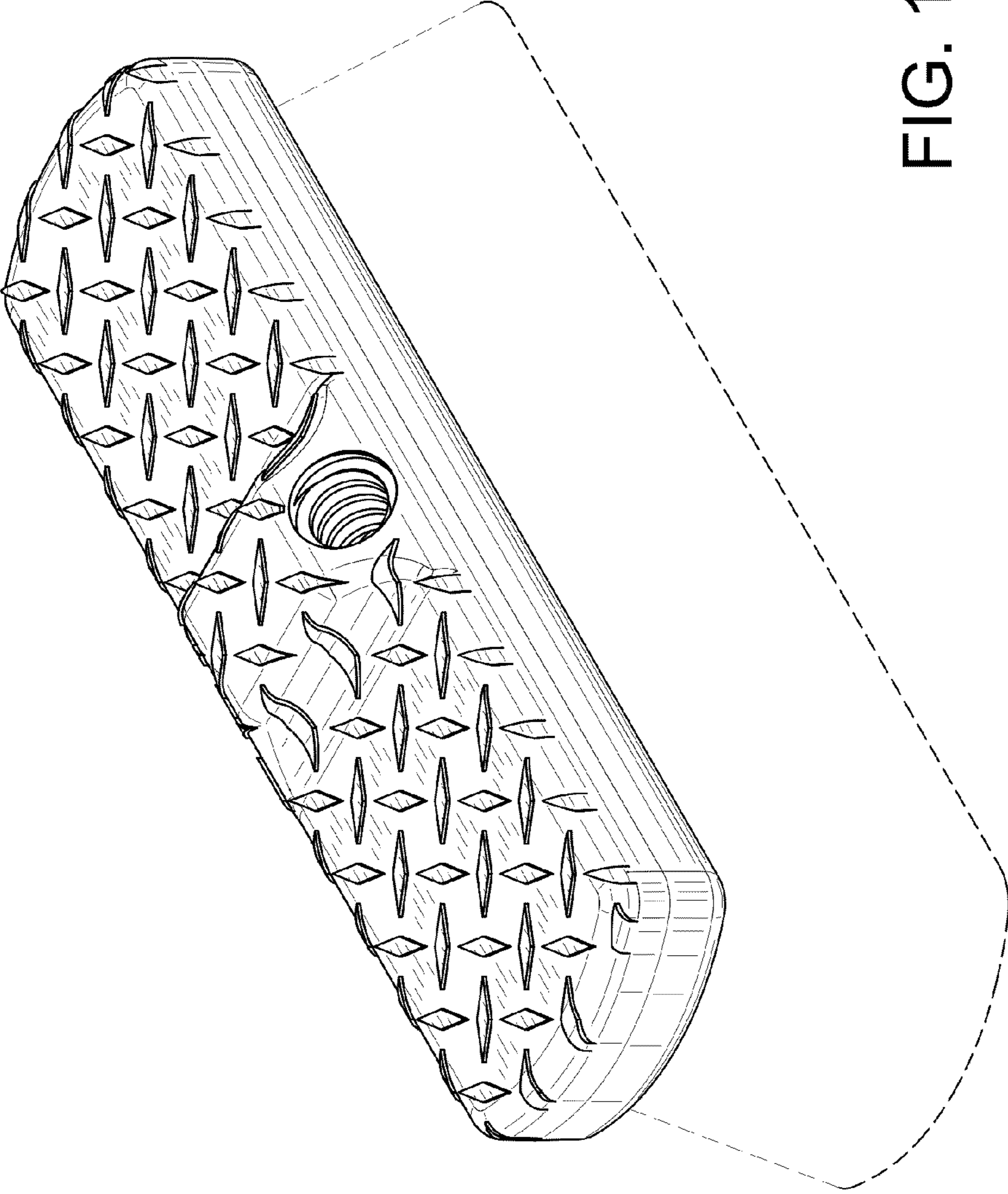


FIG. 2

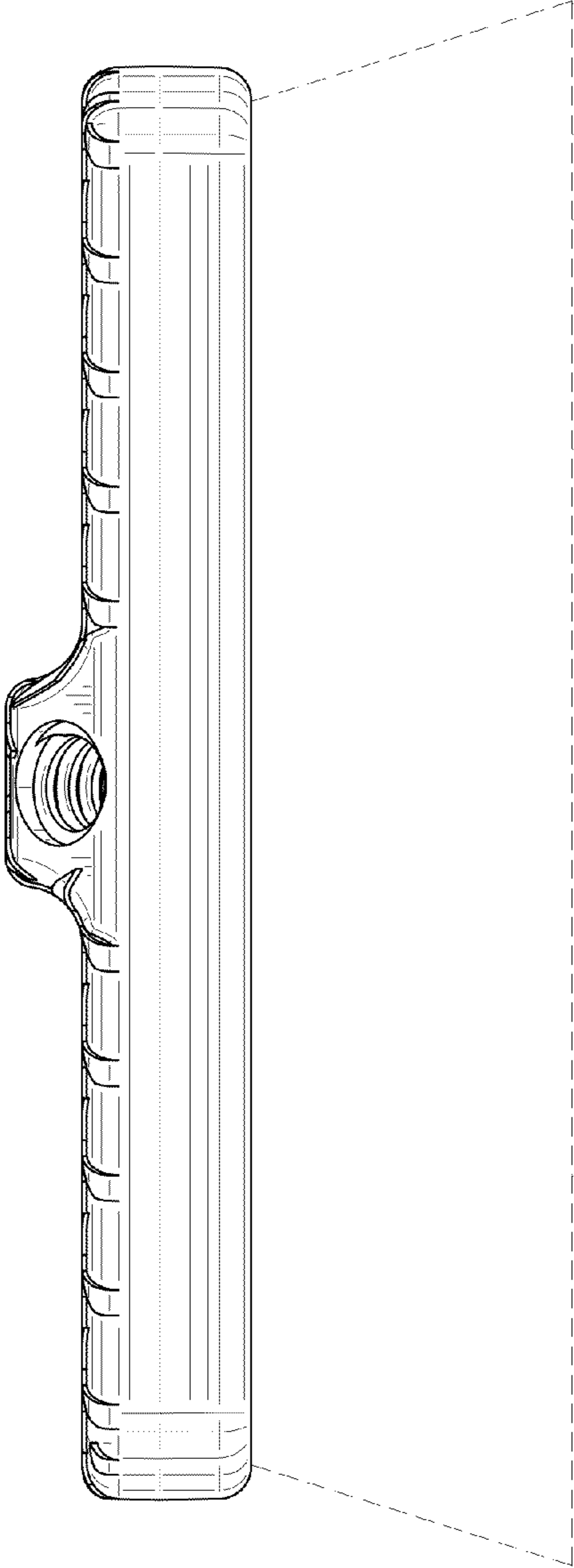
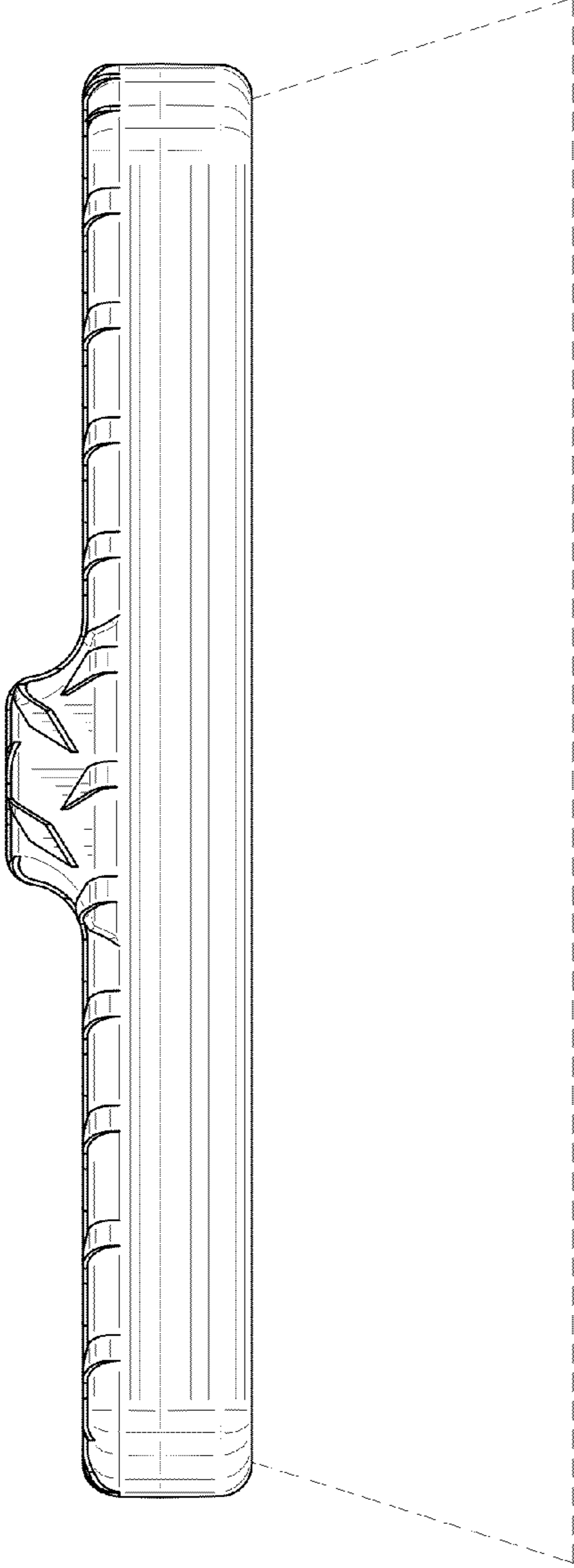


FIG. 3



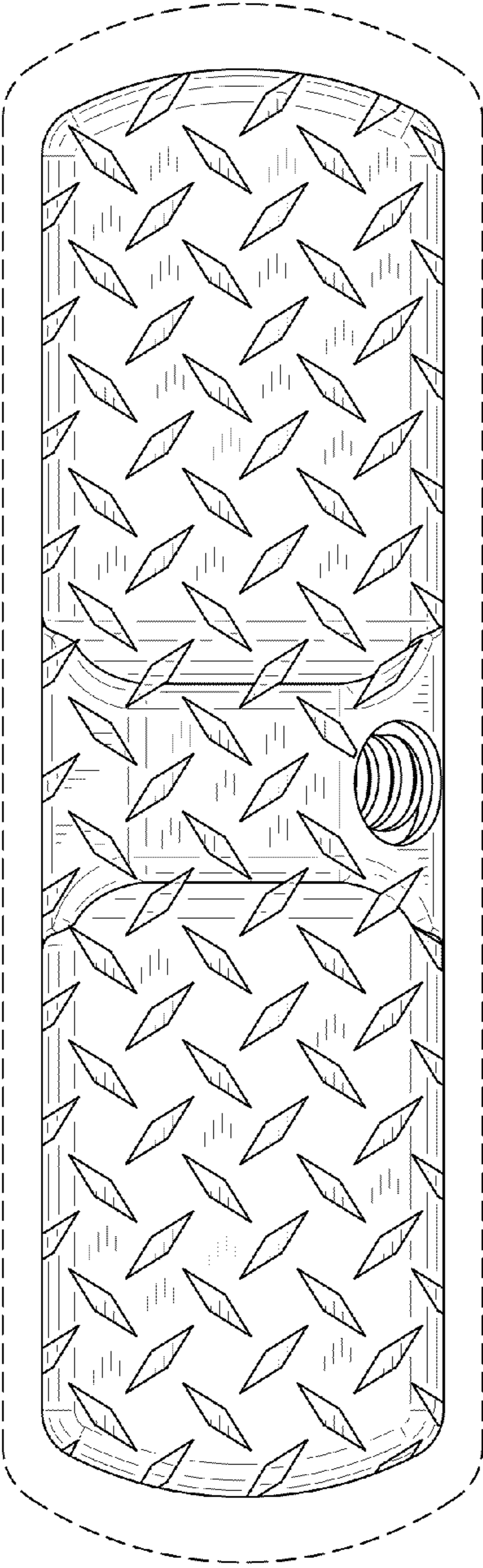


FIG. 4

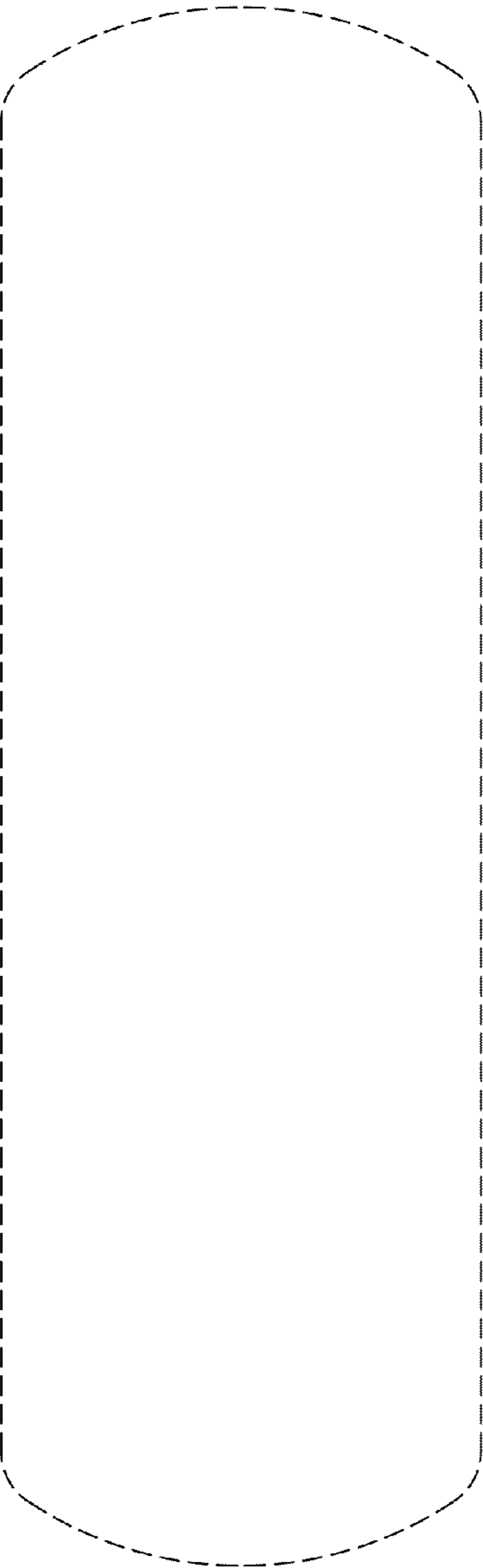


FIG. 5

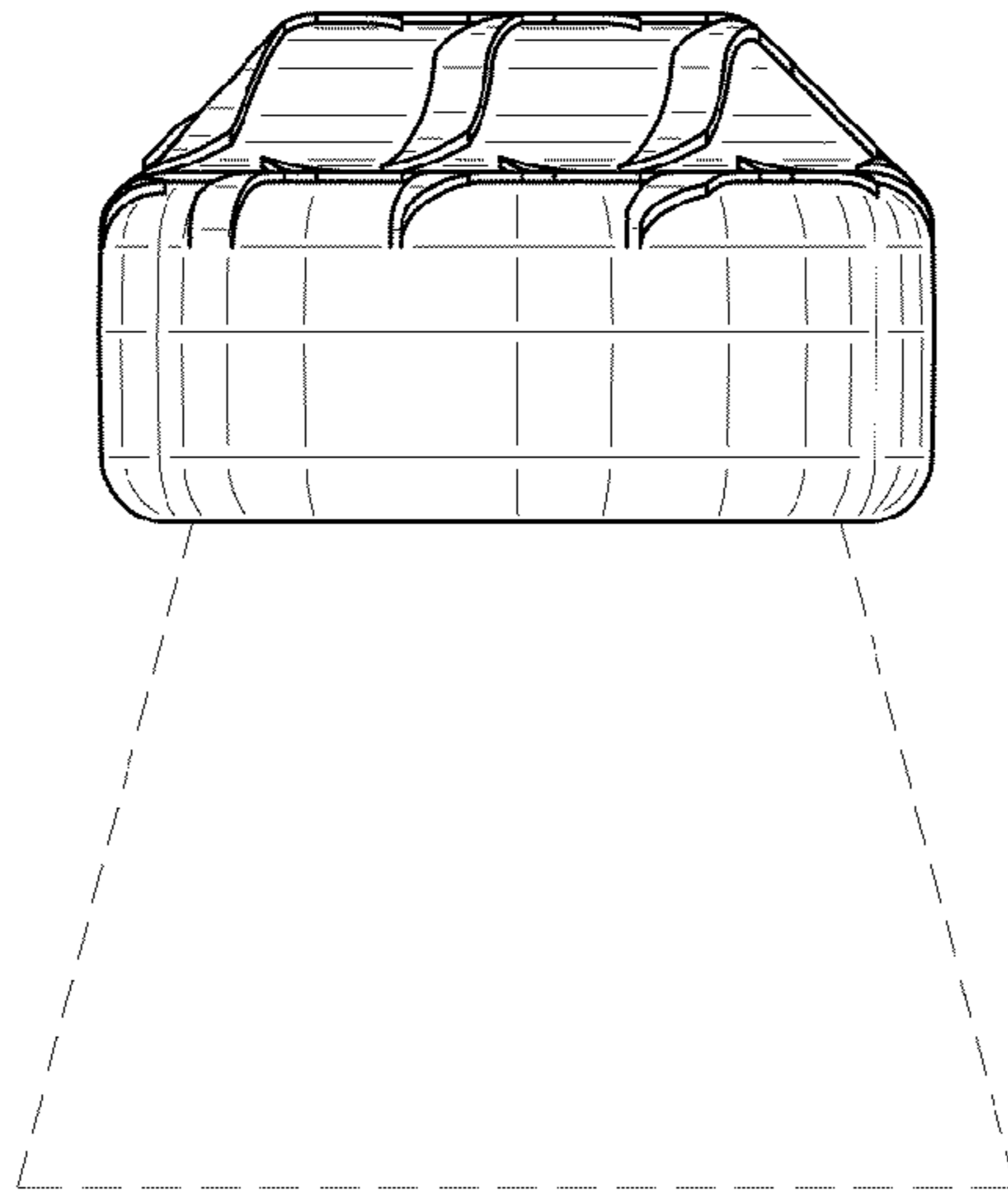


FIG. 6

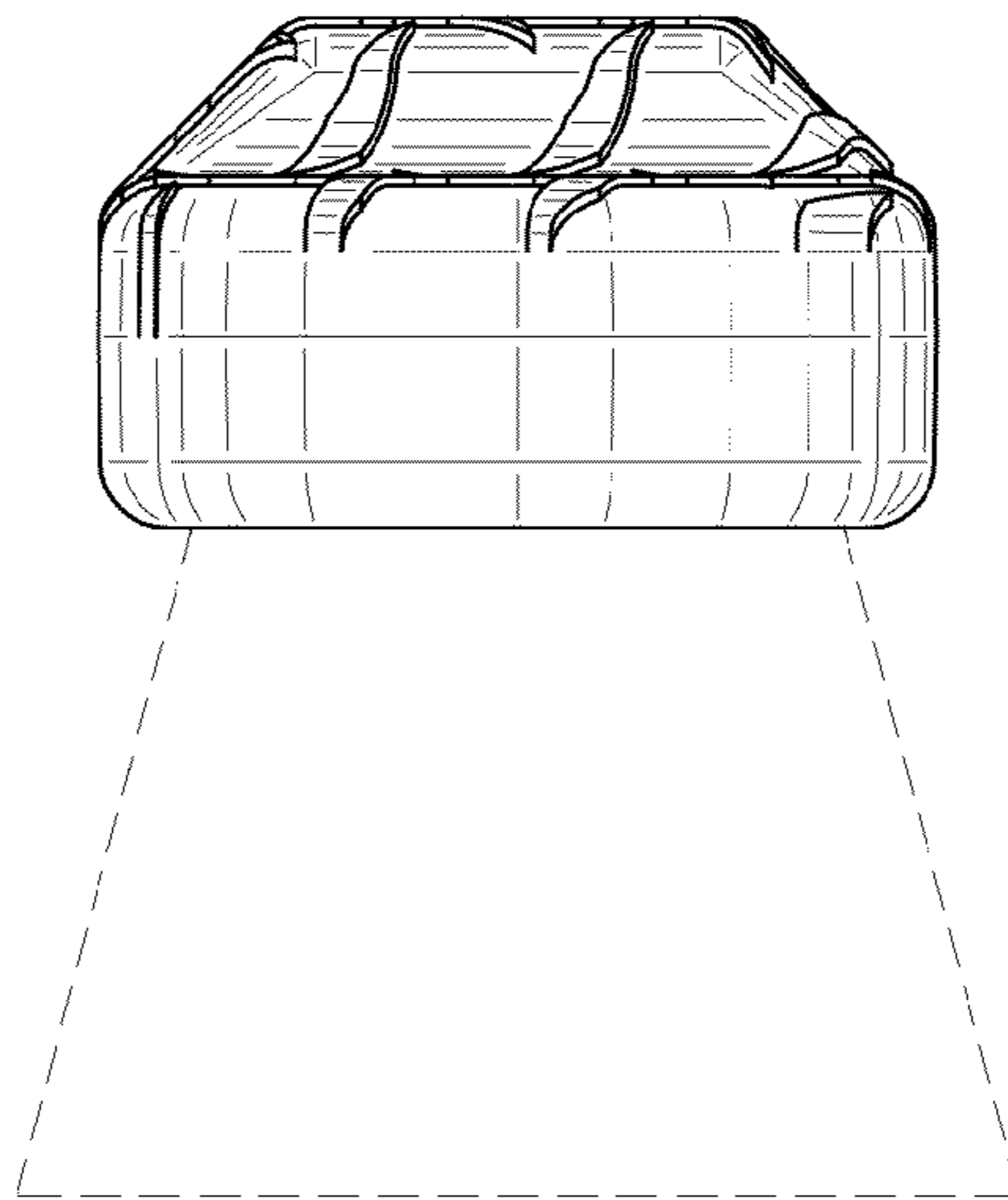


FIG. 7