

US00D692240S

(12) **United States Design Patent**  
**Erdkamp et al.**

(10) **Patent No.:** **US D692,240 S**

(45) **Date of Patent:** **\*\* Oct. 29, 2013**

(54) **BABY CARRIER SUPPORT**

(71) Applicants: **Joseph Erdkamp**, Omaha, NE (US);  
**Melinda Mahoney**, Omaha, NE (US)

(72) Inventors: **Joseph Erdkamp**, Omaha, NE (US);  
**Melinda Mahoney**, Omaha, NE (US)

(\*\*) Term: **14 Years**

(21) Appl. No.: **29/437,082**

(22) Filed: **Nov. 13, 2012**

(51) **LOC (9) Cl.** ..... **03-01**

(52) **U.S. Cl.**  
USPC ..... **D3/318**

(58) **Field of Classification Search**  
USPC ..... D3/318; D12/417; 383/4; 150/100,  
150/103-110, 113-114, 117-119

See application file for complete search history.

(56) **References Cited**

U.S. PATENT DOCUMENTS

D521,236 S \* 5/2006 Weng et al. .... D3/318  
D545,812 S \* 7/2007 Grady et al. .... D14/217

\* cited by examiner

*Primary Examiner* — Holly Baynham  
(74) *Attorney, Agent, or Firm* — Merchant & Gould P.C.

(57) **CLAIM**

The ornamental design for a baby carrier support, as shown and described.

**DESCRIPTION**

FIG. 1 is an isometric view of a baby carrier support in accordance with our new design; FIG. 2 is a top view thereof; FIG. 3 is a bottom view thereof; FIG. 4 is a right side view thereof; FIG. 5 is a left side view thereof; FIG. 6 is a front view thereof; and, FIG. 7 is a back view thereof.

**1 Claim, 4 Drawing Sheets**

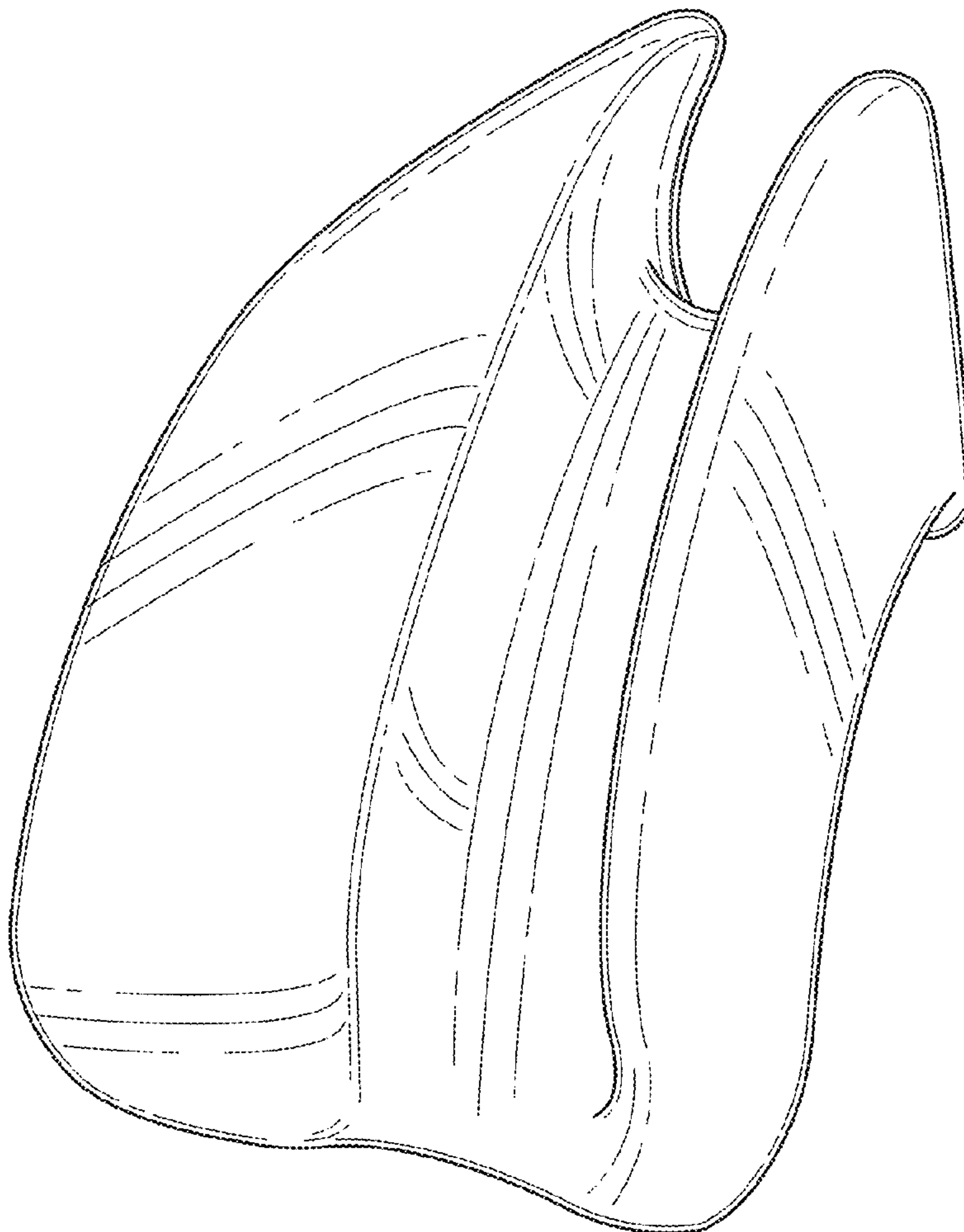




FIG. 1

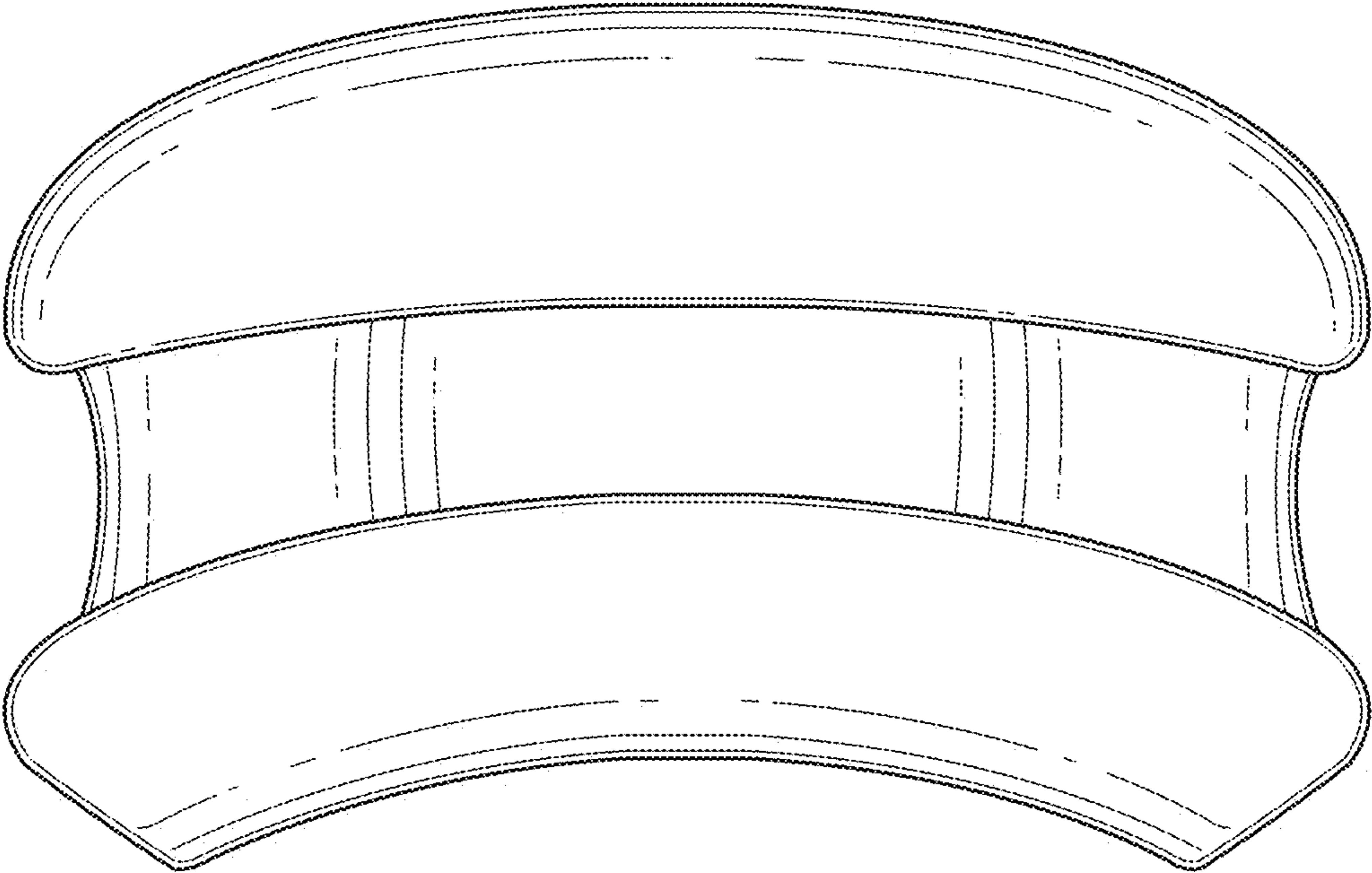


FIG. 2

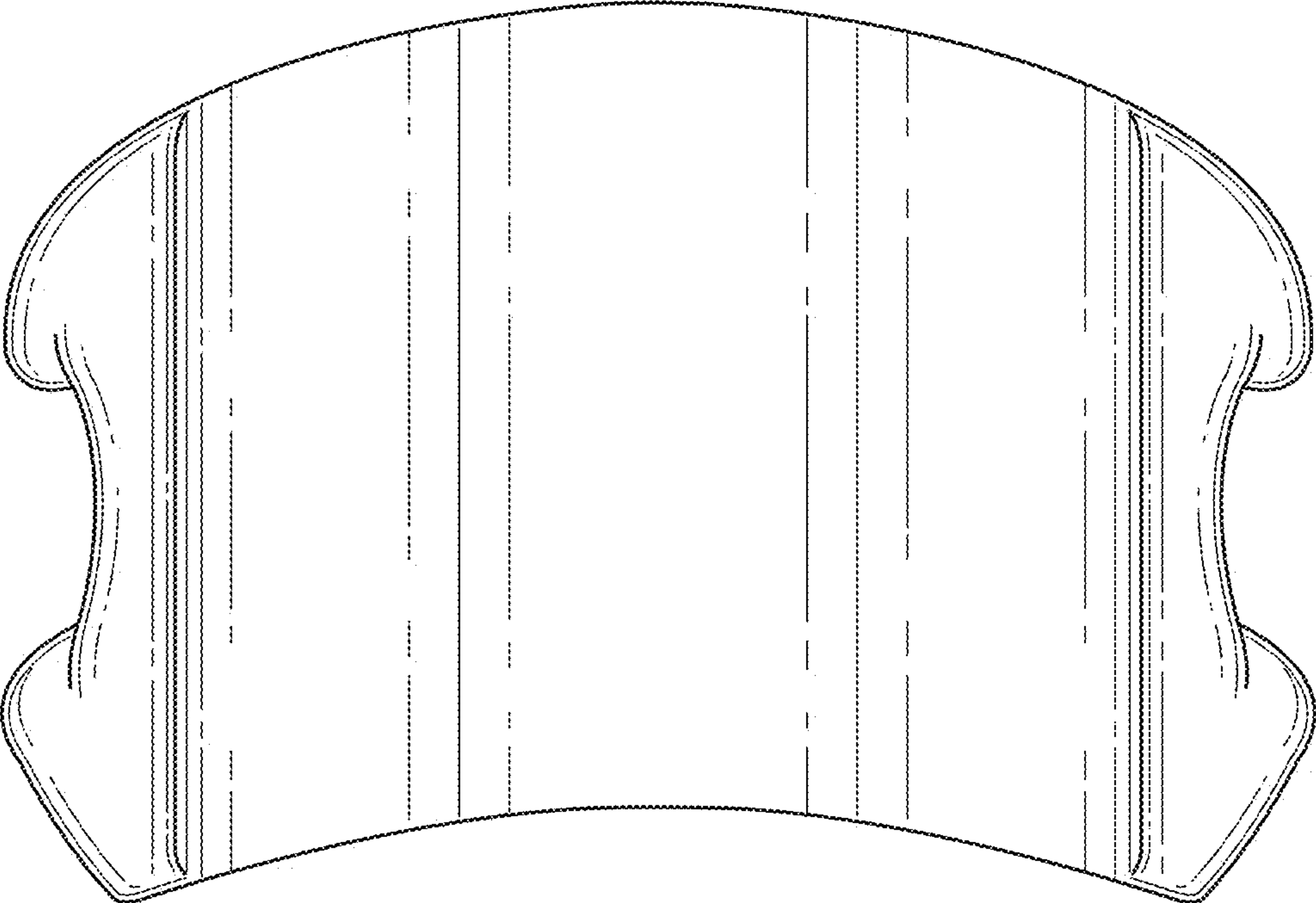


FIG. 3

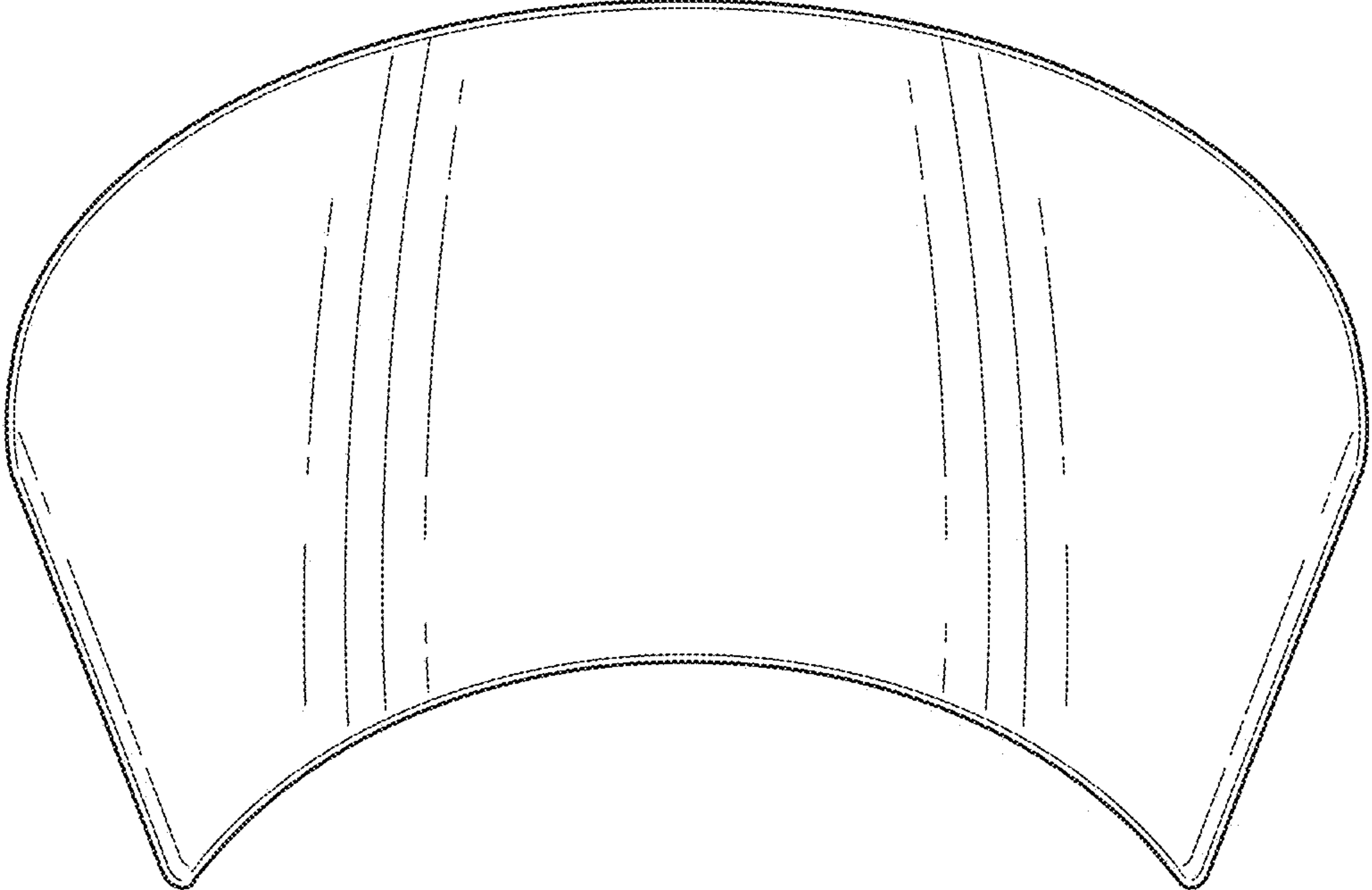


FIG. 4

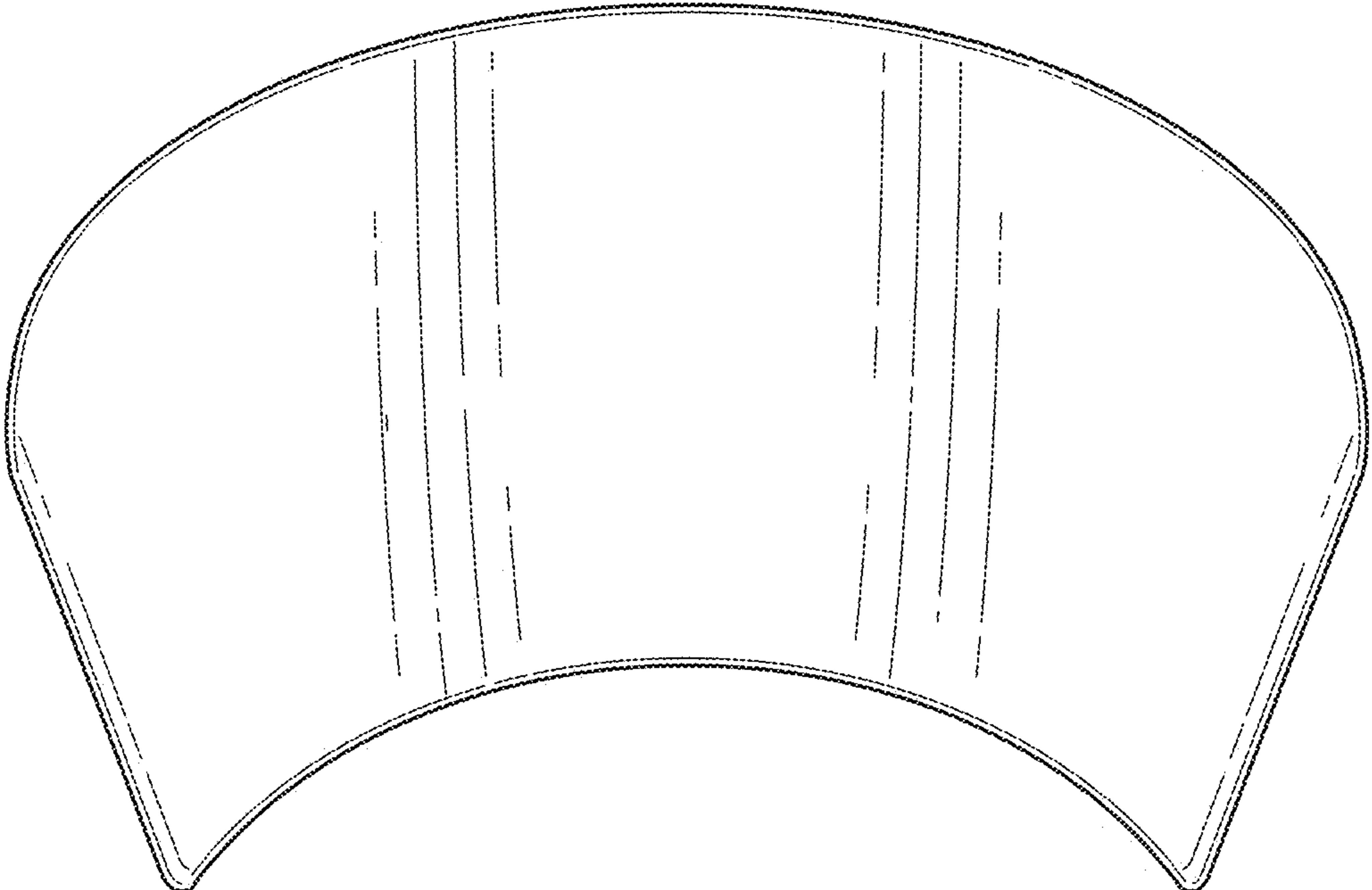


FIG. 5



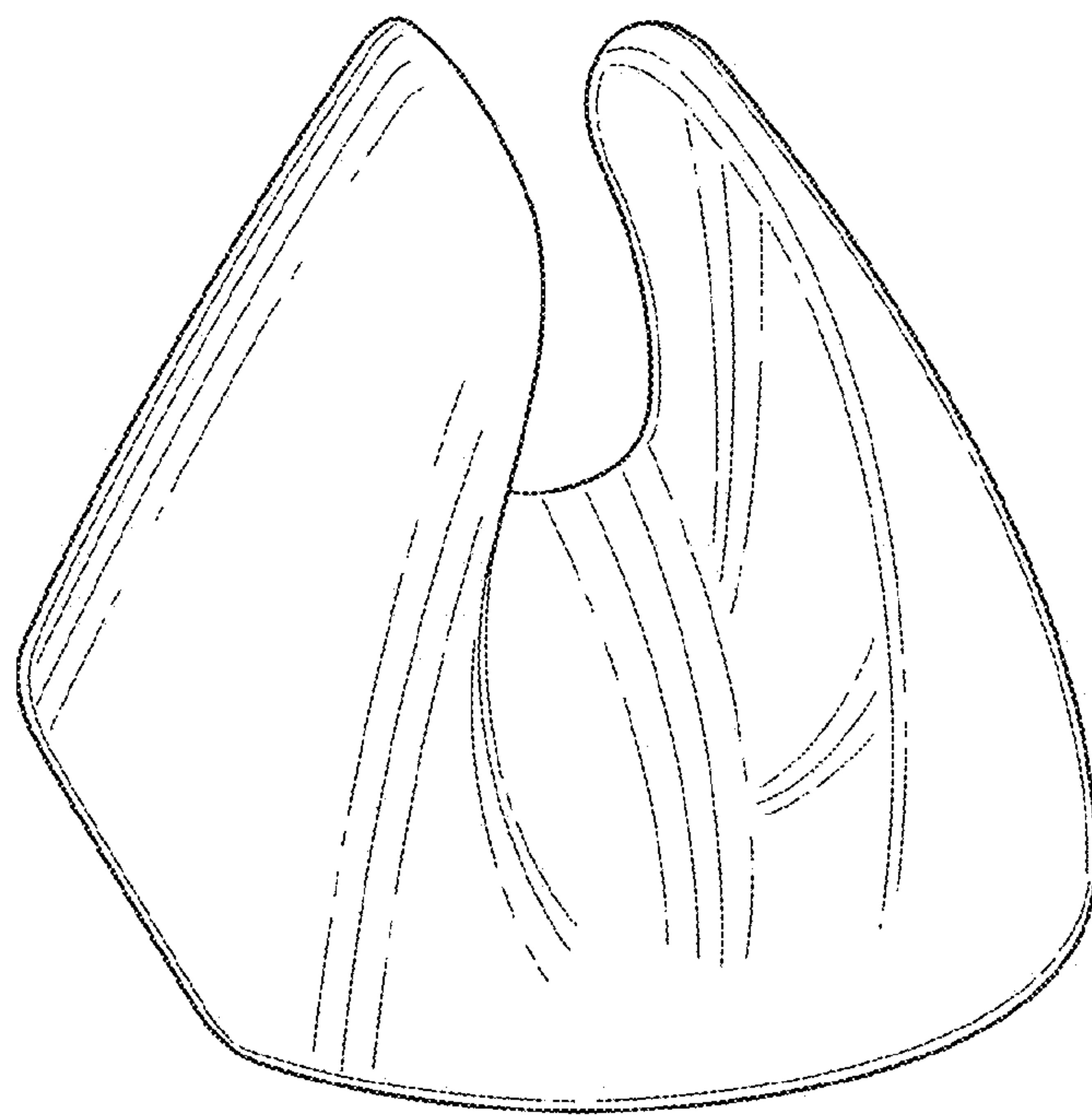


FIG. 6

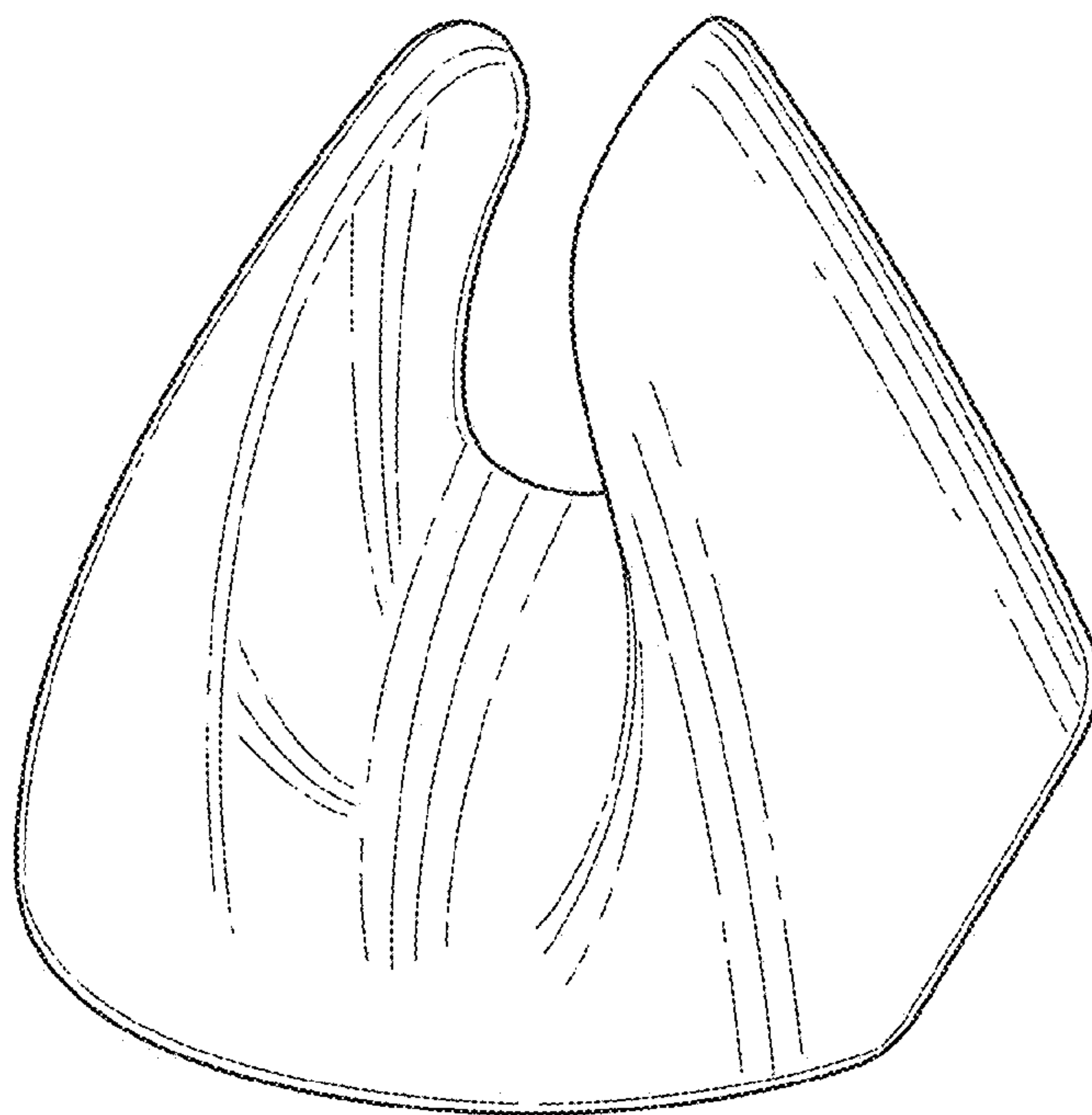


FIG. 7