



US00D692237S

(12) **United States Design Patent**
Chang

(10) **Patent No.:** **US D692,237 S**
(45) **Date of Patent:** **** Oct. 29, 2013**

(54) **PROTECTING CASE FOR PORTABLE ELECTRONIC DEVICE**

(75) Inventor: **Yin-Li Chang**, New Taipei (TW)

(73) Assignee: **Chi Mei Communications Systems, Inc.**, New Taipei (TW)

(**) Term: **14 Years**

(21) Appl. No.: **29/430,873**

(22) Filed: **Aug. 30, 2012**

(30) **Foreign Application Priority Data**

Aug. 7, 2012 (CN) 2012 3 03680719

(51) **LOC (9) Cl.** **03-01**

(52) **U.S. Cl.**
USPC **D3/303**

(58) **Field of Classification Search**

USPC D3/234, 255, 271.9, 320, 256, 262, 279,
D3/299, 301, 303, 318, 319, 273, 289, 292,
D3/294-296, 232, 244, 228; D9/424, 420;
D27/189; 206/349; 220/833; 312/902;
190/100; D14/440; D19/35

See application file for complete search history.

(56) **References Cited**

U.S. PATENT DOCUMENTS

2,175,327 A * 10/1939 Thornhill et al. 150/129
5,445,251 A * 8/1995 Redwood 190/109
D544,922 S * 6/2007 Shaffer D20/10
D600,699 S * 9/2009 Johnston et al. D14/440
D607,035 S * 12/2009 Adams et al. D16/241
D646,892 S * 10/2011 Littleton D3/299
D650,583 S * 12/2011 Muniz D3/274
D658,187 S * 4/2012 Diebel D14/440
D658,188 S * 4/2012 Diebel D14/440
D660,592 S * 5/2012 Mecchella D3/299
D660,833 S * 5/2012 Bau D14/250
D672,146 S * 12/2012 Fathollahi D3/299
8,328,008 B2 * 12/2012 Diebel et al. 206/45.24

D674,016 S * 1/2013 Letterle D19/35
D677,668 S * 3/2013 Phillips et al. D14/440
D681,951 S * 5/2013 Phillips et al. D3/299
D684,366 S * 6/2013 Phillips et al. D3/301
D685,803 S * 7/2013 Akana et al. D14/440
2009/0159763 A1 * 6/2009 Kim 248/174

OTHER PUBLICATIONS

Sep. 2009 ,p. 71, model JA-445,The Gift and Giveaways Buyer's Guide from Ttnet Corporation , <http://www.taiwangift.ttnet.net>.

* cited by examiner

Primary Examiner — Sandra Snapp

(74) *Attorney, Agent, or Firm* — Altis & Wispro Law Group, Inc.

(57) **CLAIM**

The ornamental design for an protecting case for portable electronic device, as shown and described.

DESCRIPTION

This application is related to co-pending U.S. patent applications Ser. No. 29/430,872, entitled "Protecting Case for Portable Electronic Device". Such applications have the same assignee as the present application. The above-identified applications are incorporated herein by reference.

FIG. 1 is a perspective view of a protecting case for portable electronic device showing our new design;

FIG. 2 is a front elevational view of the case;

FIG. 3 is a rear elevational view of the case;

FIG. 4 is a left side elevational view of the case;

FIG. 5 is a right side elevational view of the case;

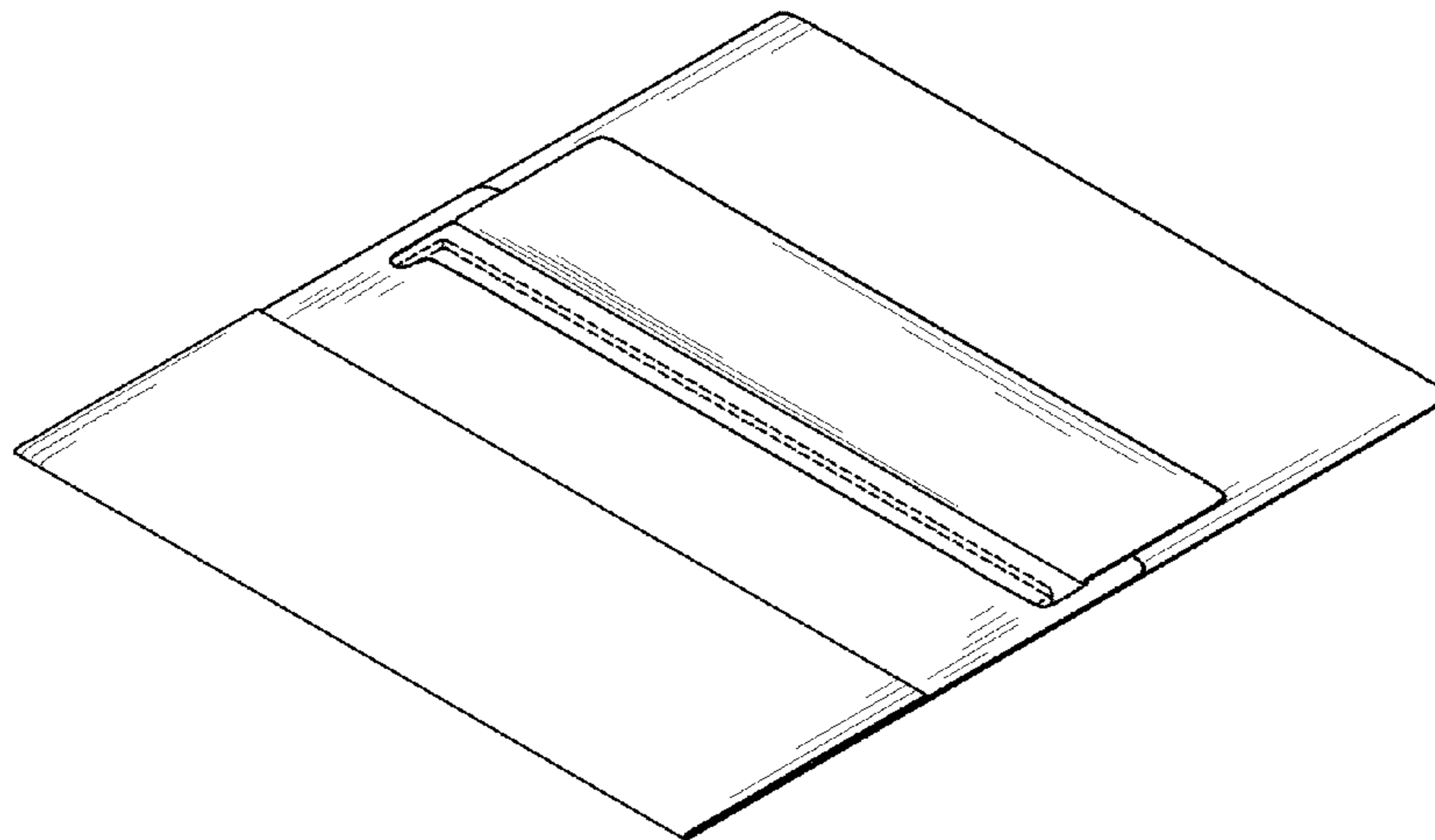
FIG. 6 is a top plan view of the case;

FIG. 7 is a bottom plan view of the case; and,

FIG. 8 is a perspective view of the case with a portable electronic device received in.

The broken lines of all the figures are for the purpose of illustrating environment and form no part of the claimed design.

1 Claim, 8 Drawing Sheets



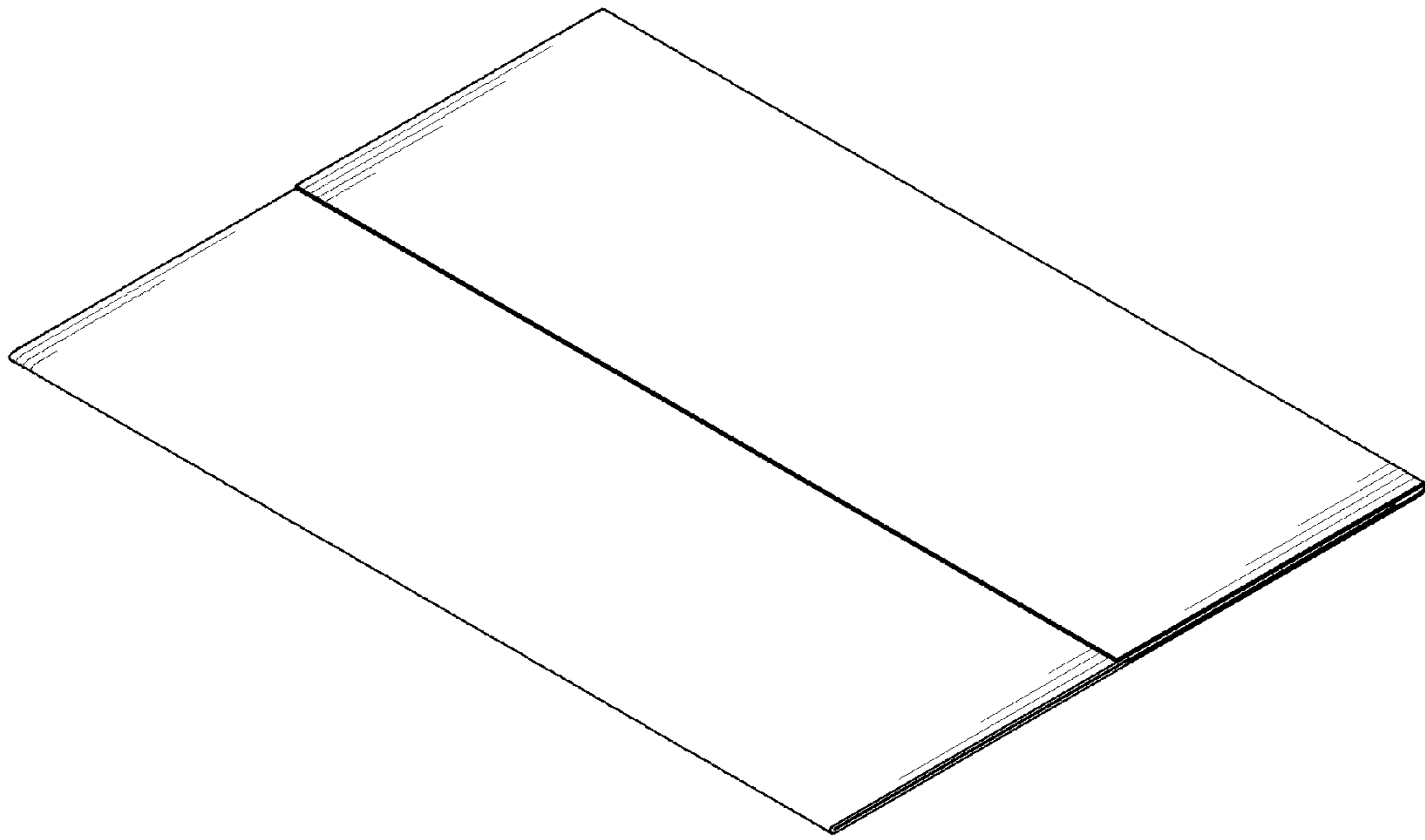


FIG. 1



FIG. 2

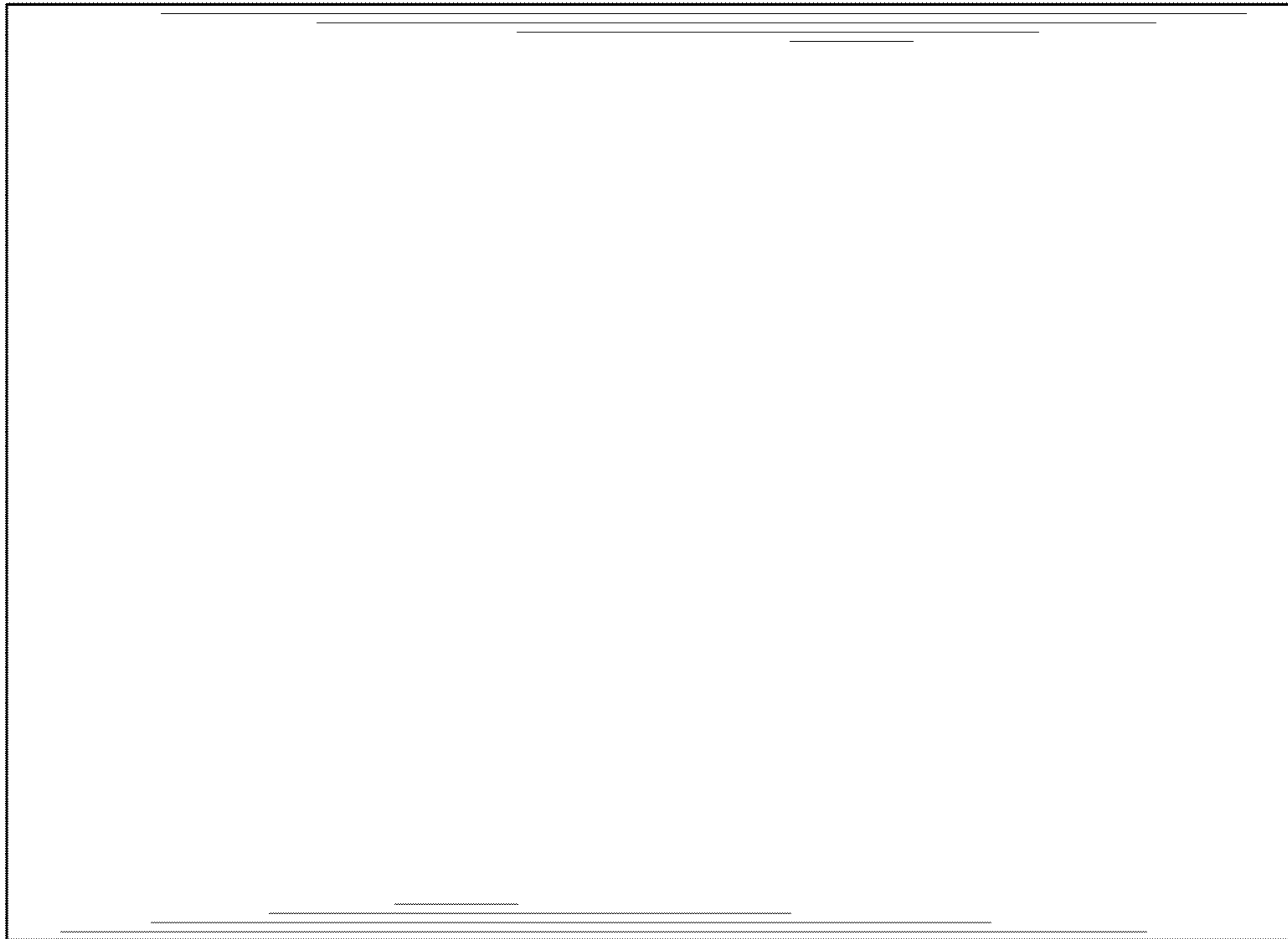


FIG. 3



FIG. 4



FIG. 5

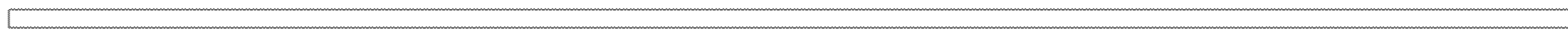


FIG. 6

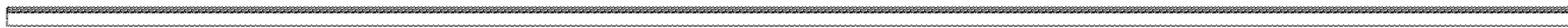


FIG. 7

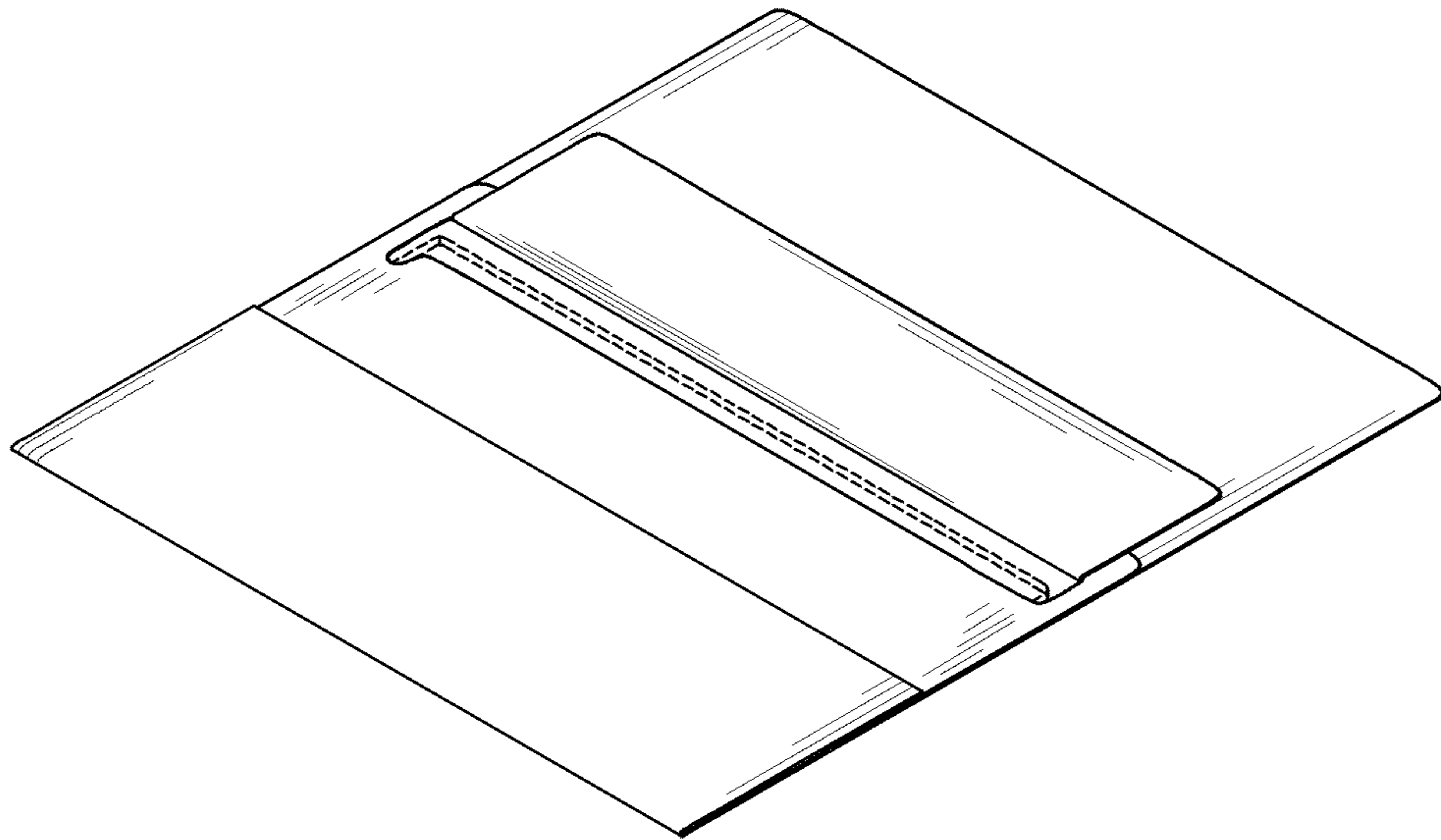


FIG. 8