



US00D692229S

(12) **United States Design Patent**
Archambeau

(10) **Patent No.:** **US D692,229 S**

(45) **Date of Patent:** **** Oct. 29, 2013**

(54) **CARRYING BAG**

(75) Inventor: **Kim Archambeau**, Puyallup, WA (US)

(73) Assignee: **La Bella Couture**, Puyallup, WA (US)

(**) Term: **14 Years**

(21) Appl. No.: **29/382,916**

(22) Filed: **Jan. 10, 2011**

(51) **LOC (9) Cl.** **03-01**

(52) **U.S. Cl.**
USPC **D3/217**

(58) **Field of Classification Search**

USPC D3/216–217, 221, 254, 273, 276, 287,
D3/289, 293, 301, 900; 224/153, 257, 259;
190/112, 115, 900, 903

See application file for complete search history.

(56) **References Cited**

U.S. PATENT DOCUMENTS

| | | | | |
|-------------------|---------|--------------------|-------|---------|
| D402,804 S * | 12/1998 | Ramirez | | D3/217 |
| D412,787 S * | 8/1999 | Young | | D3/283 |
| D431,755 S * | 10/2000 | Worley et al. | | D7/607 |
| D431,967 S * | 10/2000 | Worley et al. | | D7/607 |
| D506,434 S * | 6/2005 | Ling | | D12/416 |
| D507,107 S * | 7/2005 | Goldberg | | D3/246 |
| D517,321 S * | 3/2006 | Wilde et al. | | D3/321 |
| D530,089 S * | 10/2006 | Silverman | | D3/287 |
| D545,056 S * | 6/2007 | Leighton | | D3/217 |
| D560,351 S * | 1/2008 | Boehm et al. | | D3/202 |
| D596,858 S * | 7/2009 | Chu et al. | | D3/321 |
| D598,253 S * | 8/2009 | Lesser | | D7/709 |
| D609,065 S * | 2/2010 | Lown et al. | | D7/709 |
| D622,505 S * | 8/2010 | Lown et al. | | D3/289 |
| D628,379 S * | 12/2010 | Guyon et al. | | D3/245 |
| D639,063 S * | 6/2011 | Benoit | | D3/289 |
| D641,554 S * | 7/2011 | Martinetti | | D3/321 |
| D668,456 S * | 10/2012 | Du | | D3/285 |
| 2009/0194209 A1 * | 8/2009 | De Filippis et al. | | 150/107 |

* cited by examiner

Primary Examiner — Kelley Donnelly

(74) *Attorney, Agent, or Firm* — Barry L. Davison; Davis Wright Tremaine LLP

(57) **CLAIM**

The ornamental design for a carrying bag, as shown and described.

DESCRIPTION

FIG. 1 is a top perspective view of a first embodiment of a carrying bag showing my new design.

FIG. 2 is a front elevational view thereof.

FIG. 3 is a rear elevational view thereof

FIG. 4 is a right side view thereof.

FIG. 5 is a left side view thereof.

FIG. 6 is a bottom plan view thereof.

FIG. 7 is a top plan view thereof.

FIG. 8 is a front perspective view thereof.

FIG. 9 is a top front perspective view of a second embodiment of a carrying bag showing my new design.

FIG. 10 is a front elevational view thereof.

FIG. 11 is a rear elevational view thereof.

FIG. 12 is a right side view thereof.

FIG. 13 is a left side view thereof.

FIG. 14 is a bottom plan view thereof.

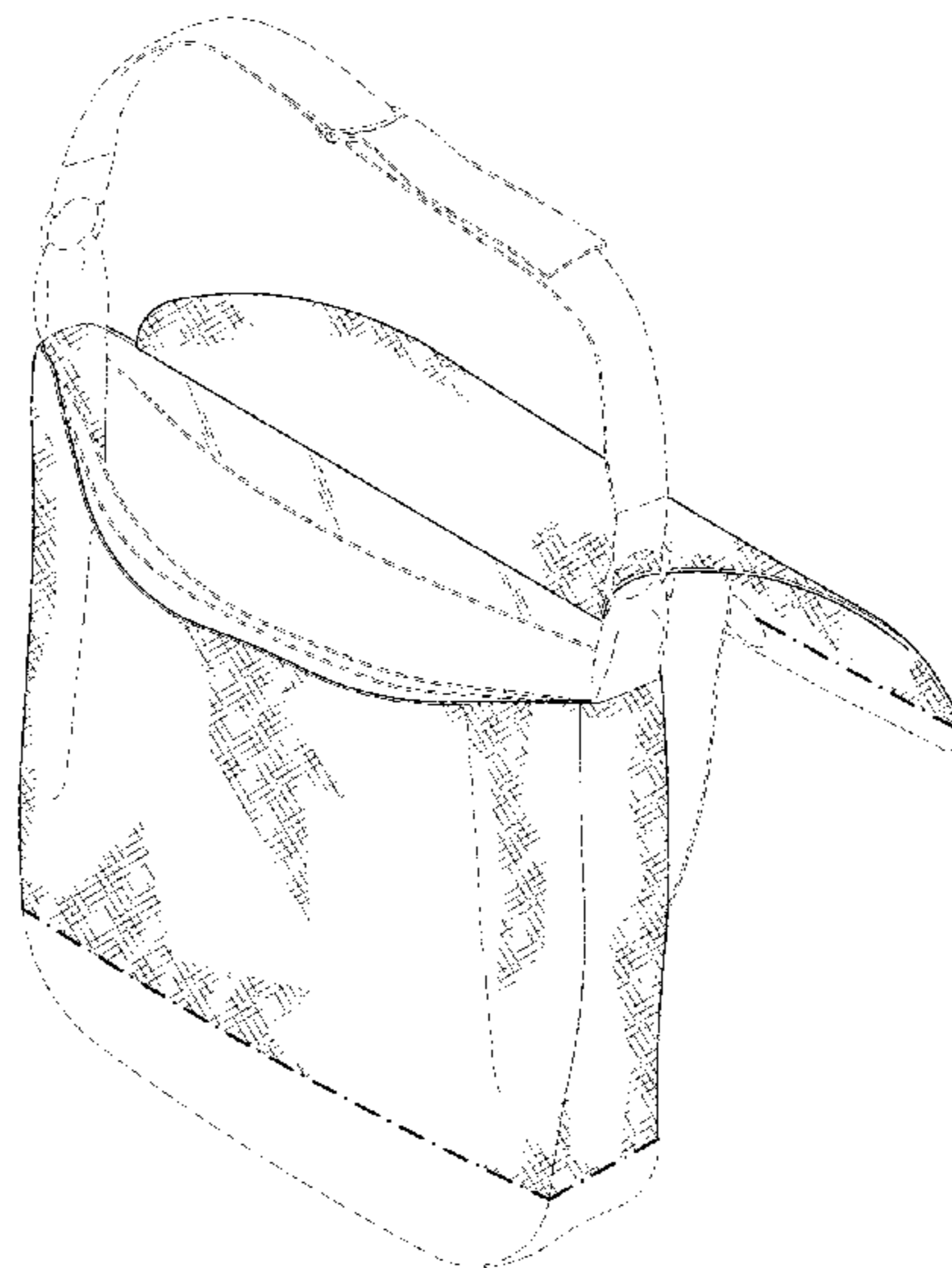
FIG. 15 is a top plan view thereof; and,

FIG. 16 is a front perspective view thereof.

The broken lines are for the purposes of illustrating the environment of the design only and form no part of the claimed design.

The dash-dot lines represent boundaries and form no part thereof.

1 Claim, 10 Drawing Sheets



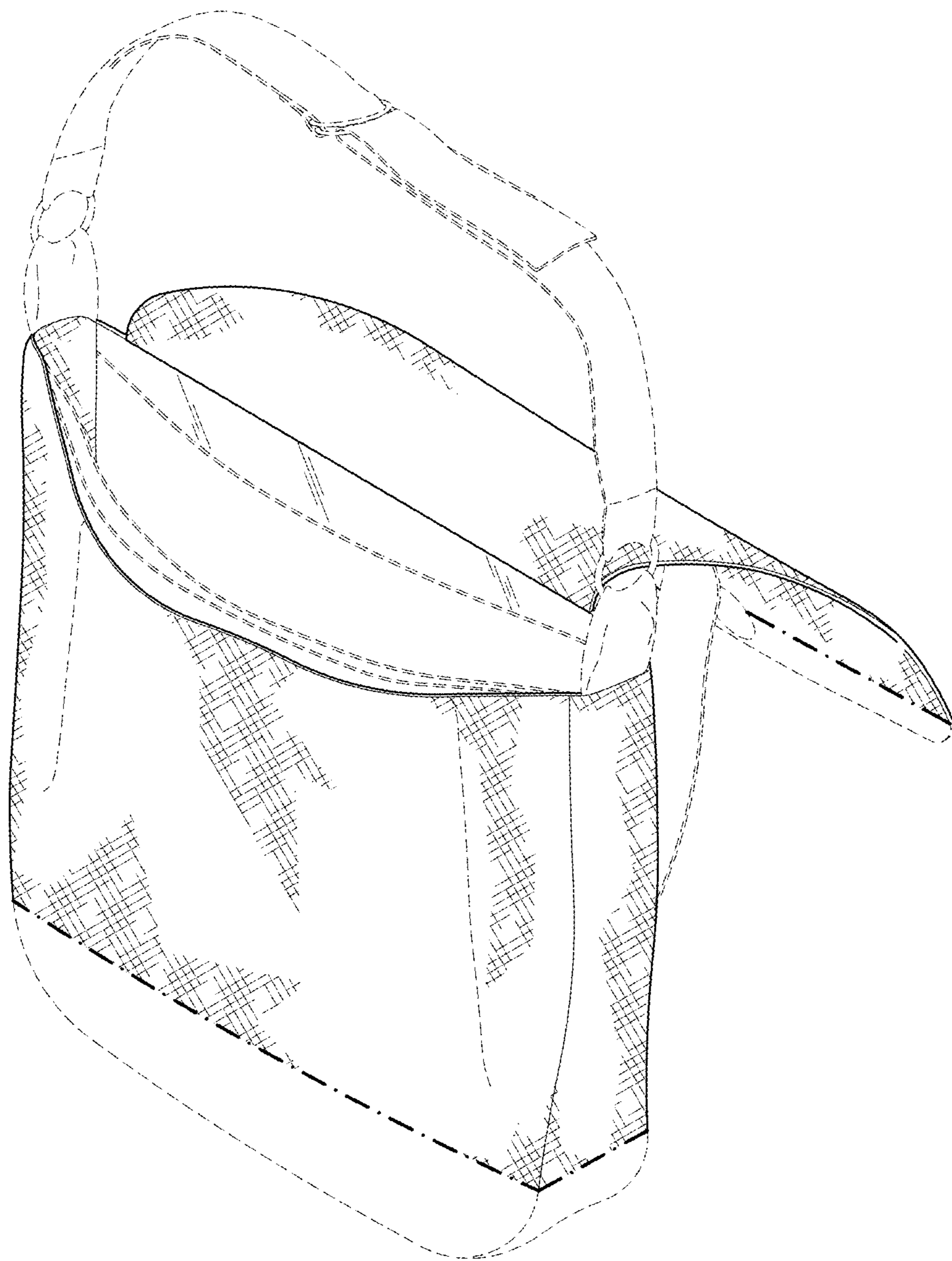


Fig. 1

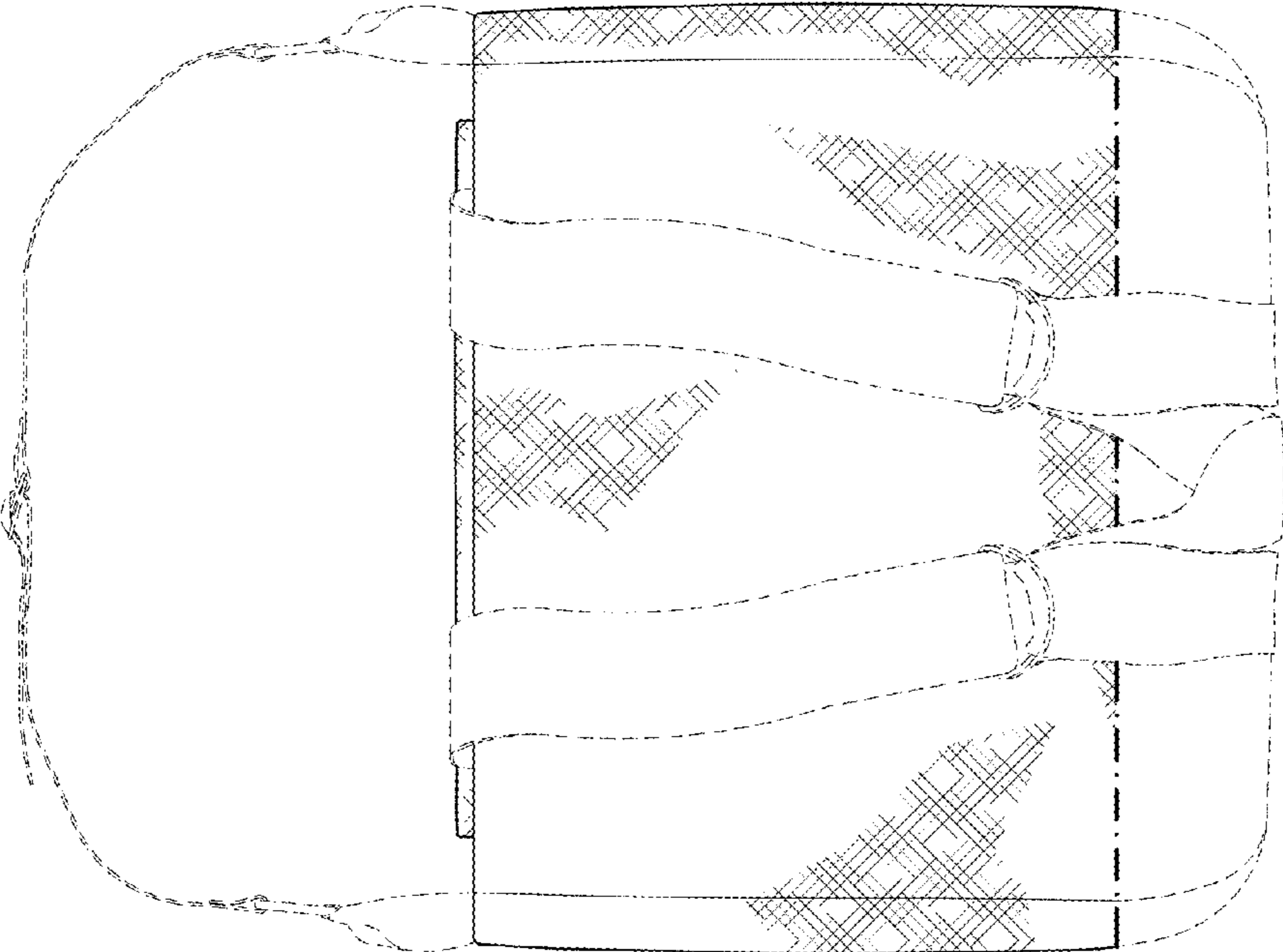


Fig. 2

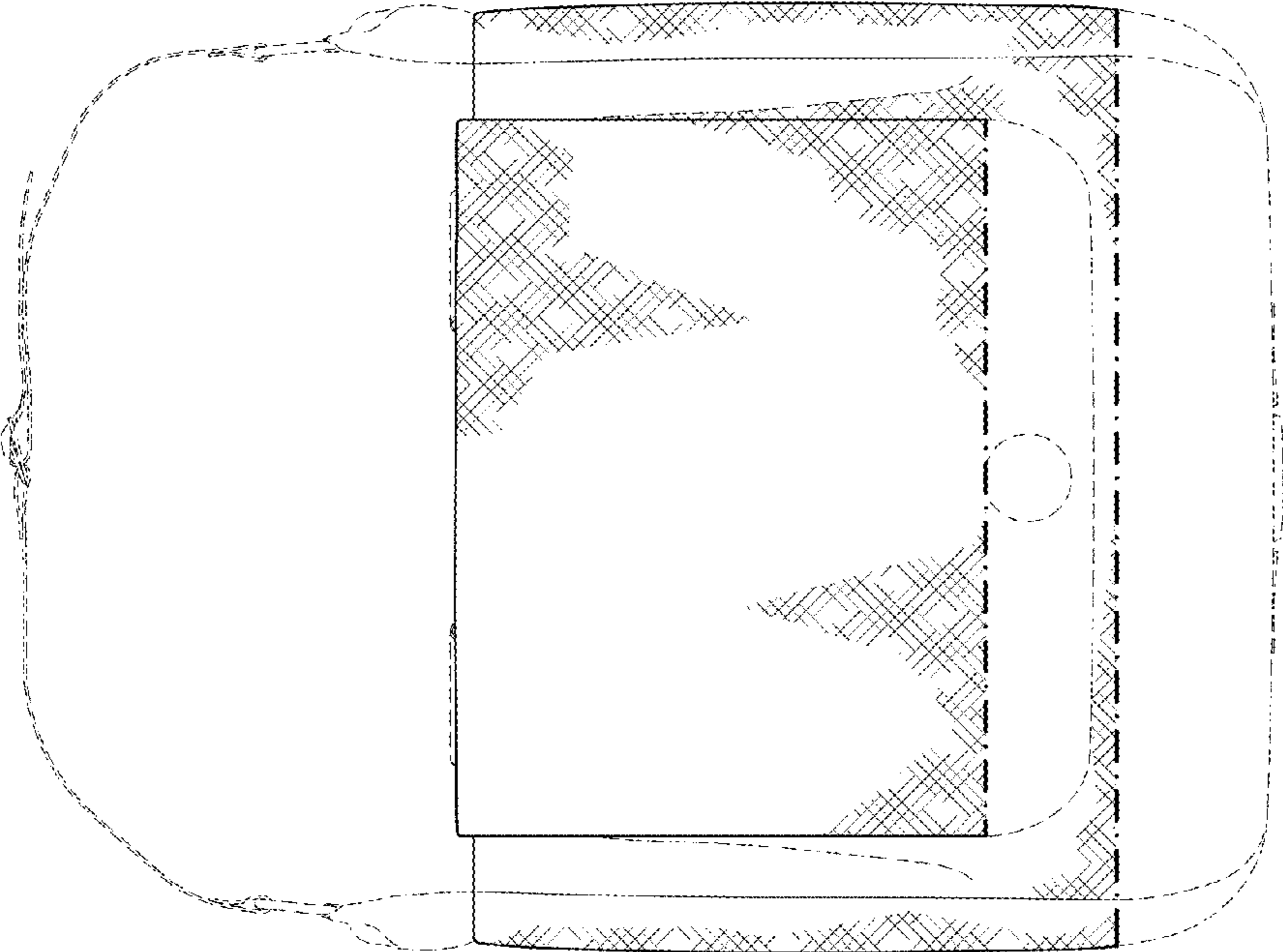


Fig. 3

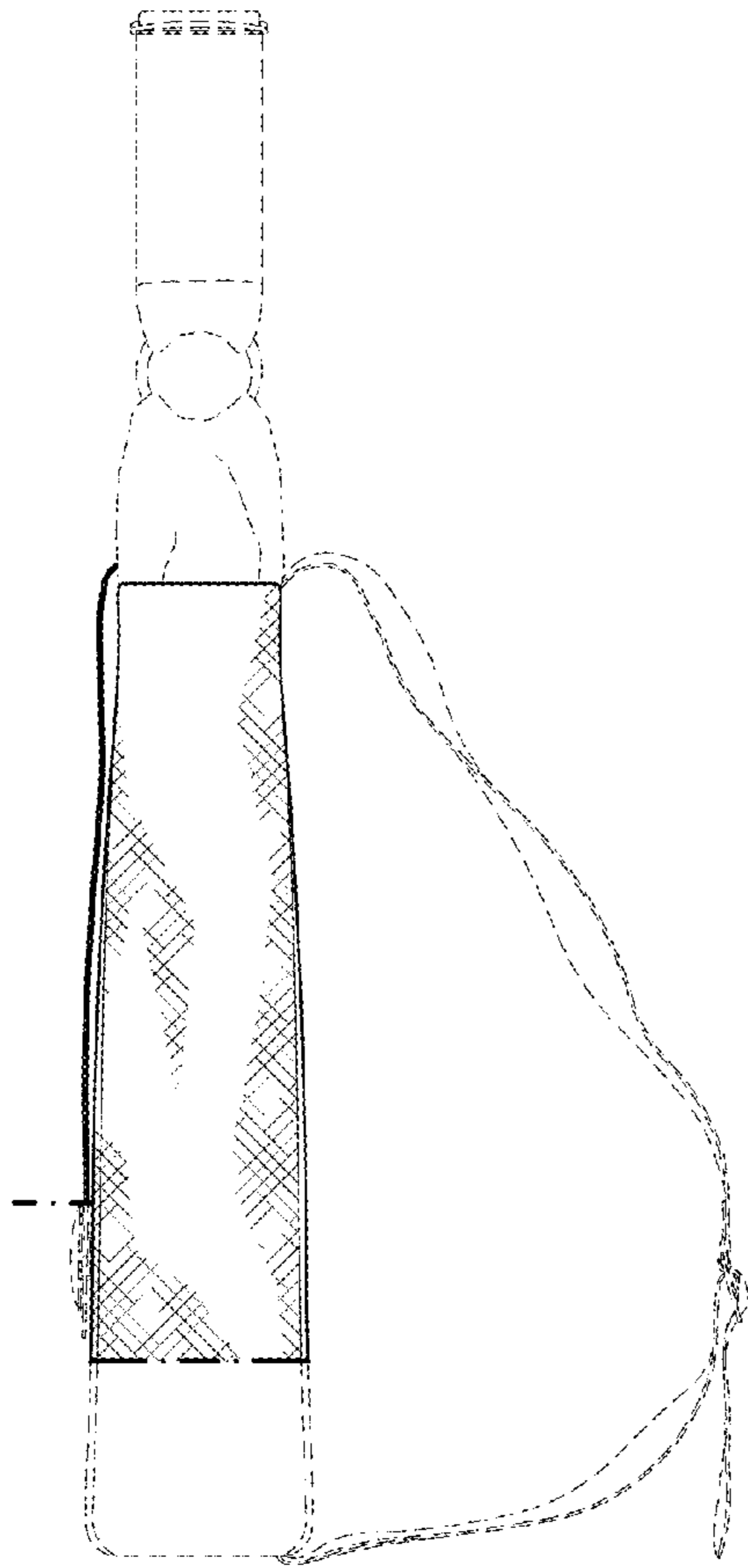


Fig. 4

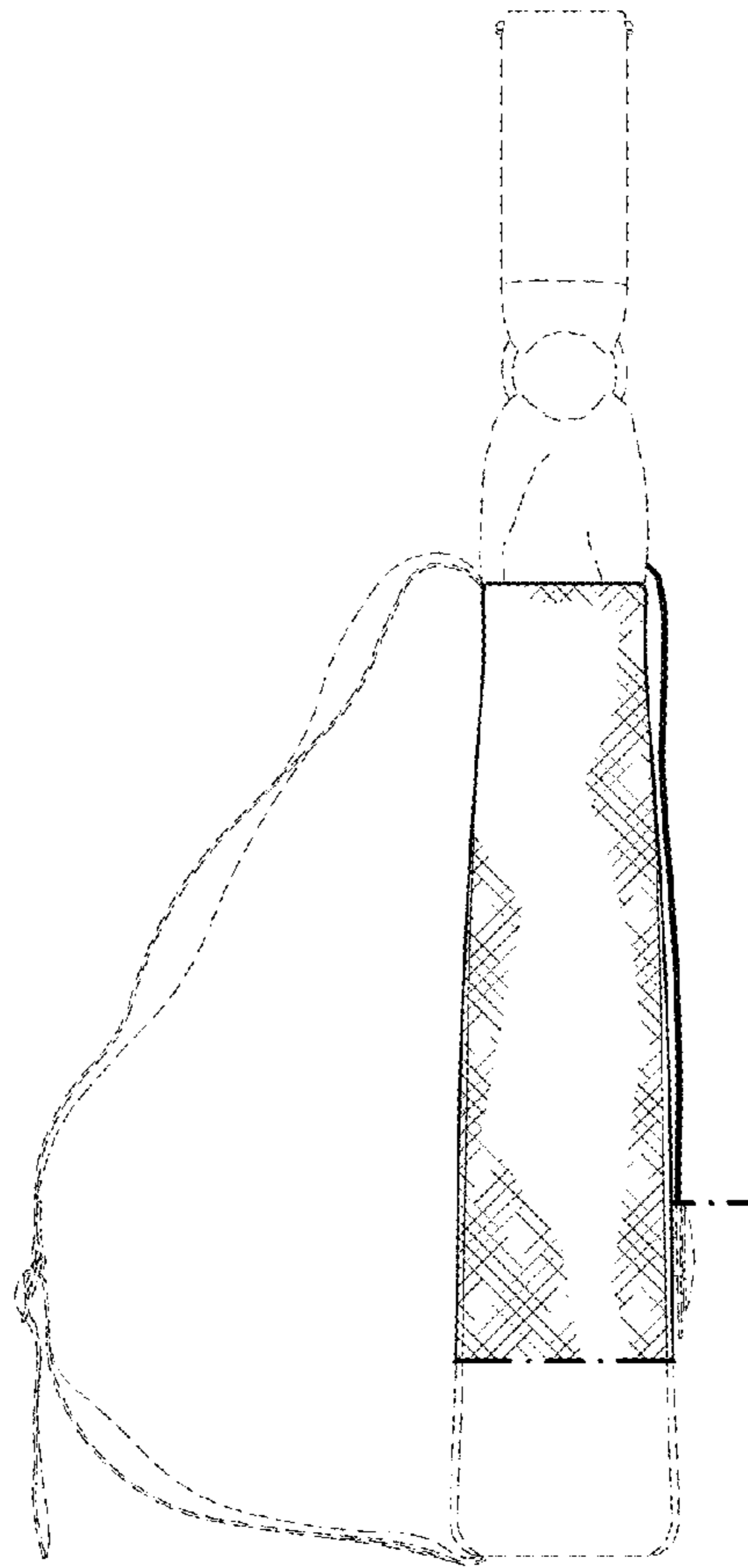


Fig. 5

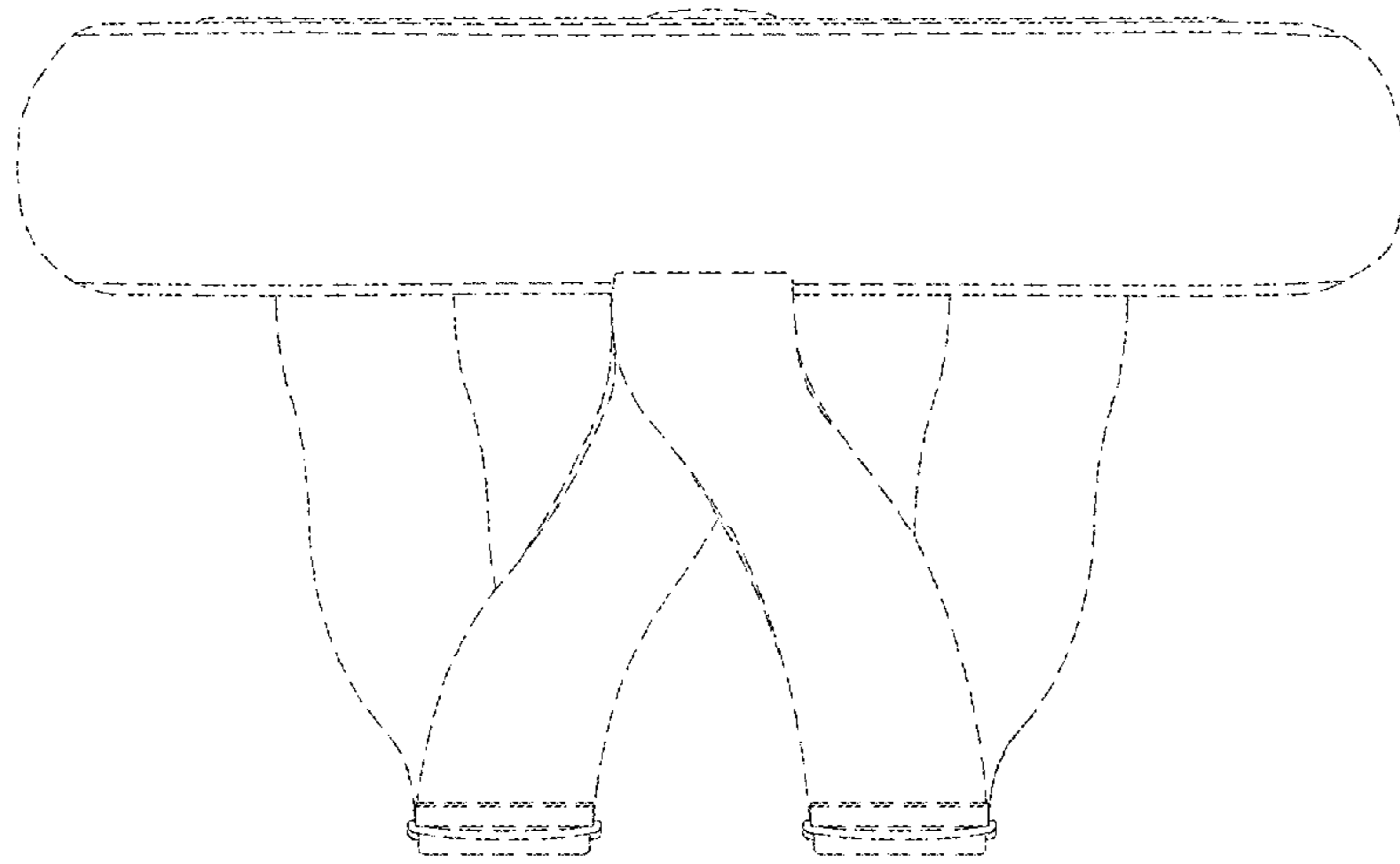


Fig. 6

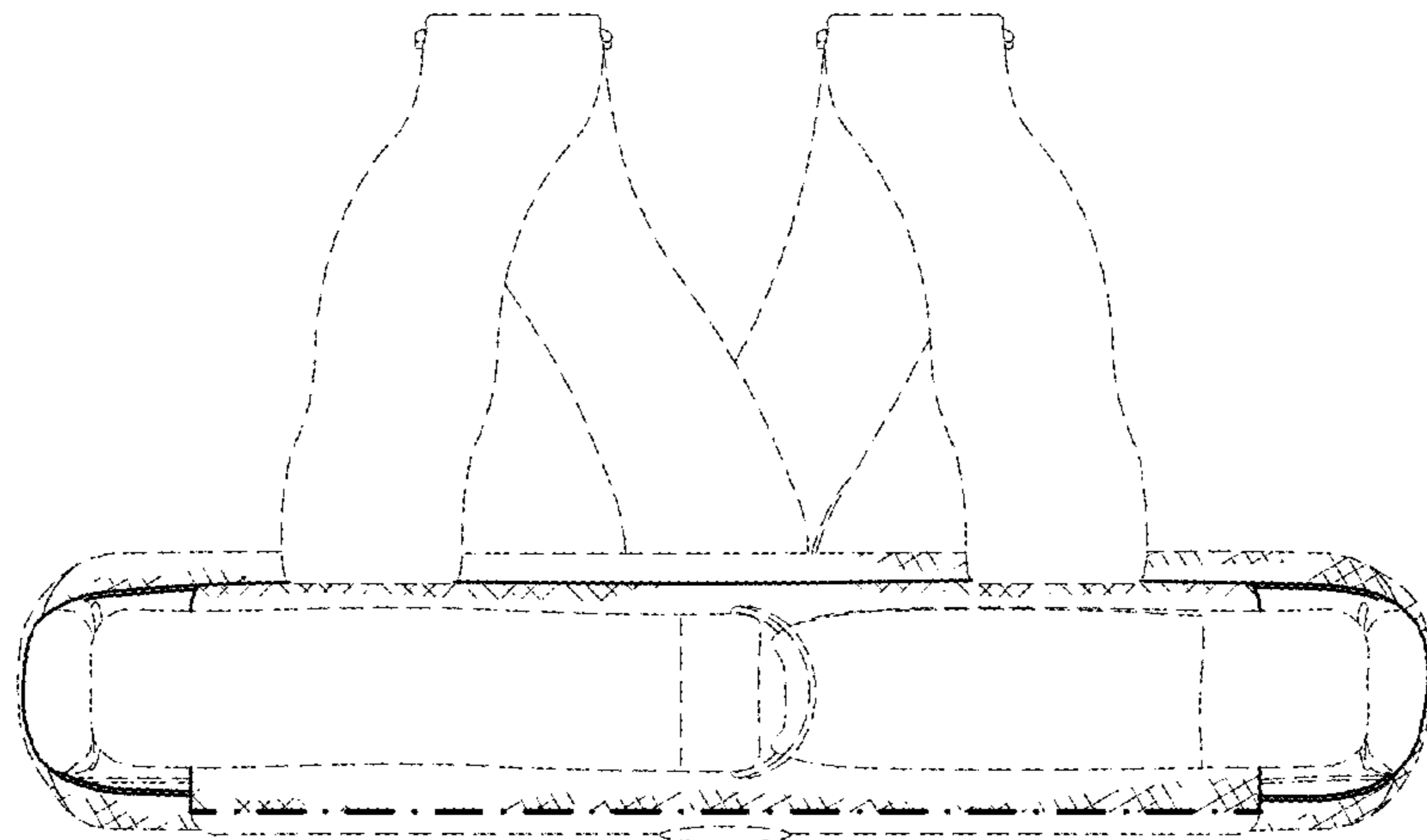


Fig. 7

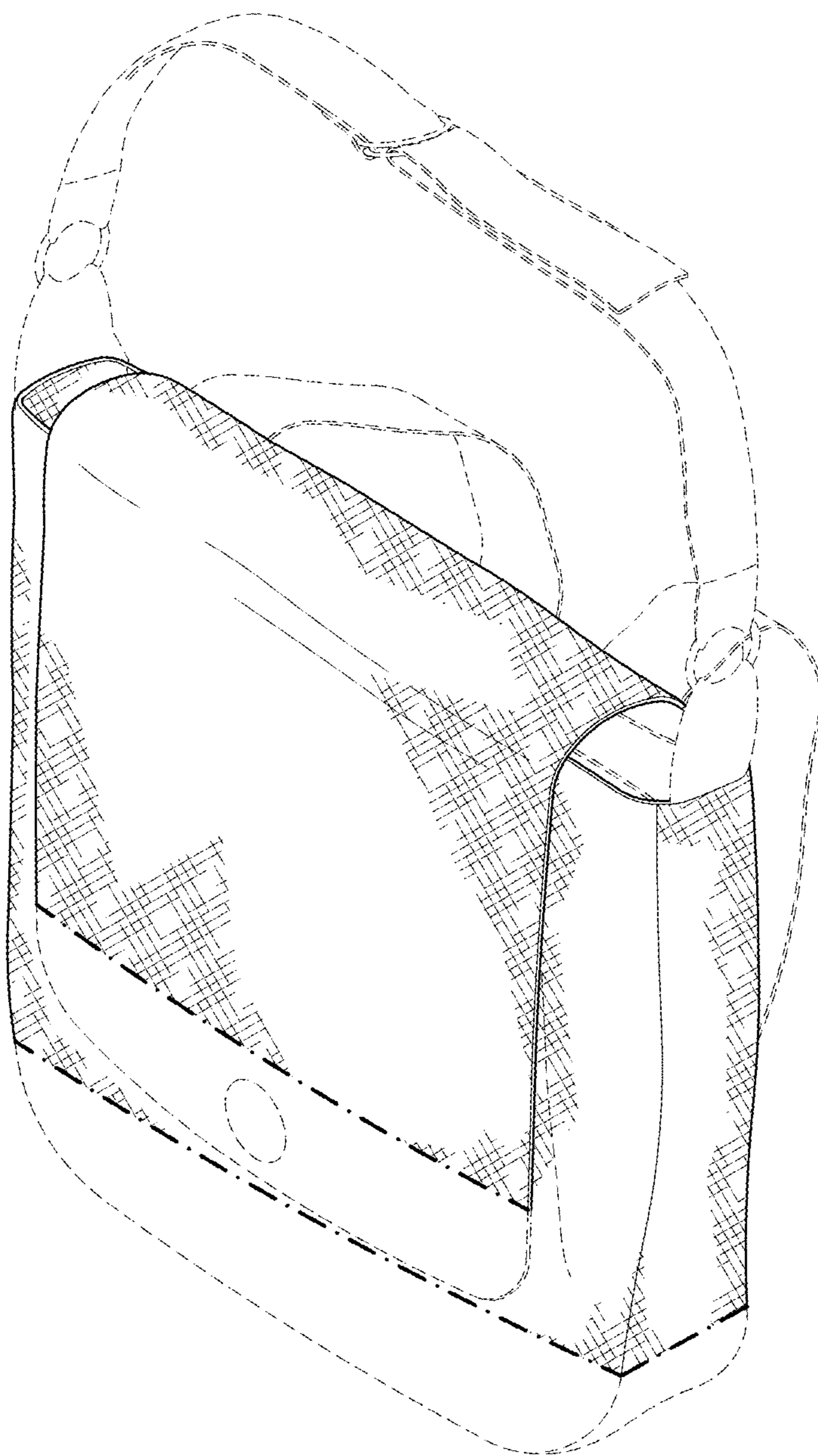


Fig. 8

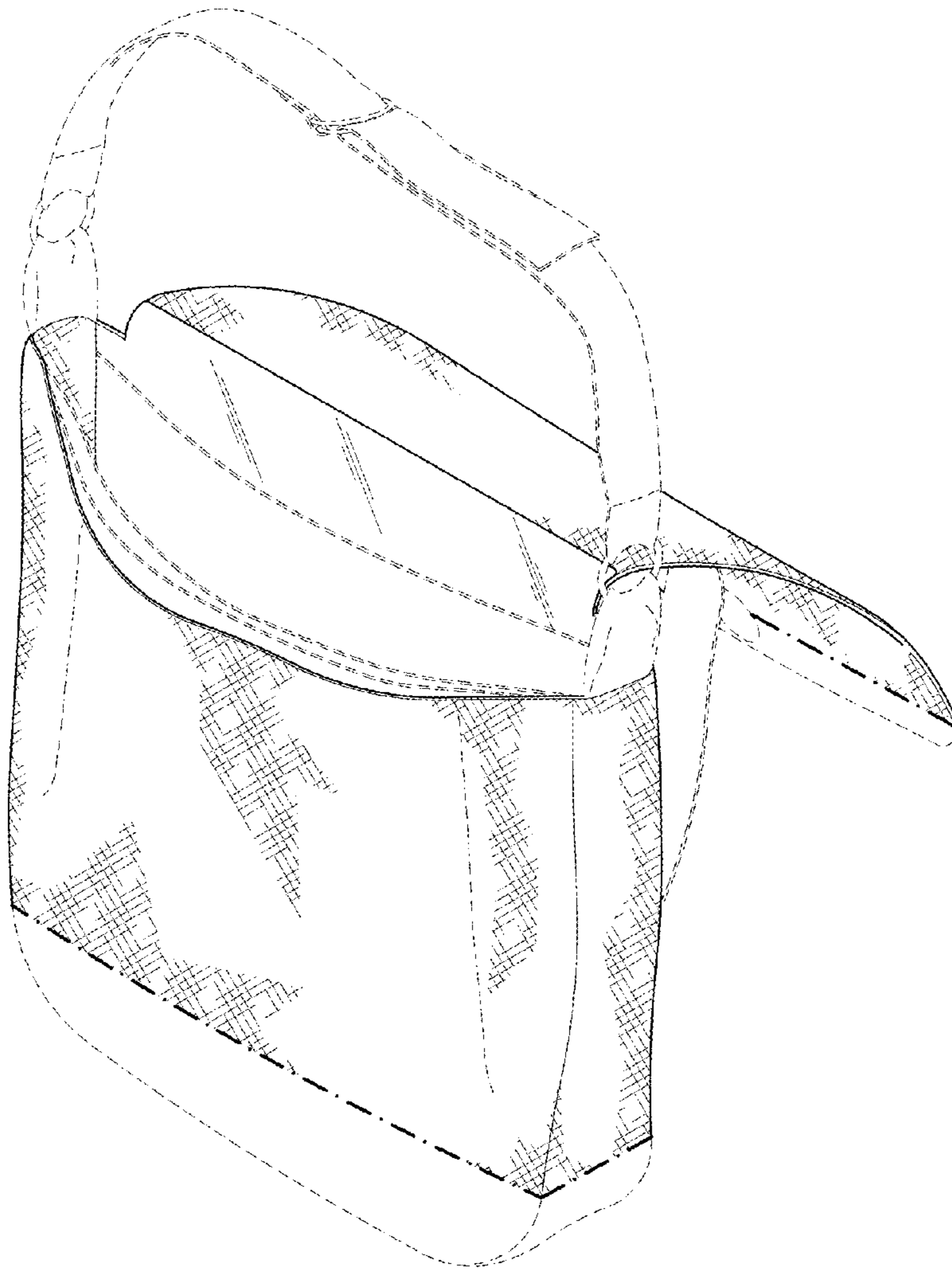


Fig. 9

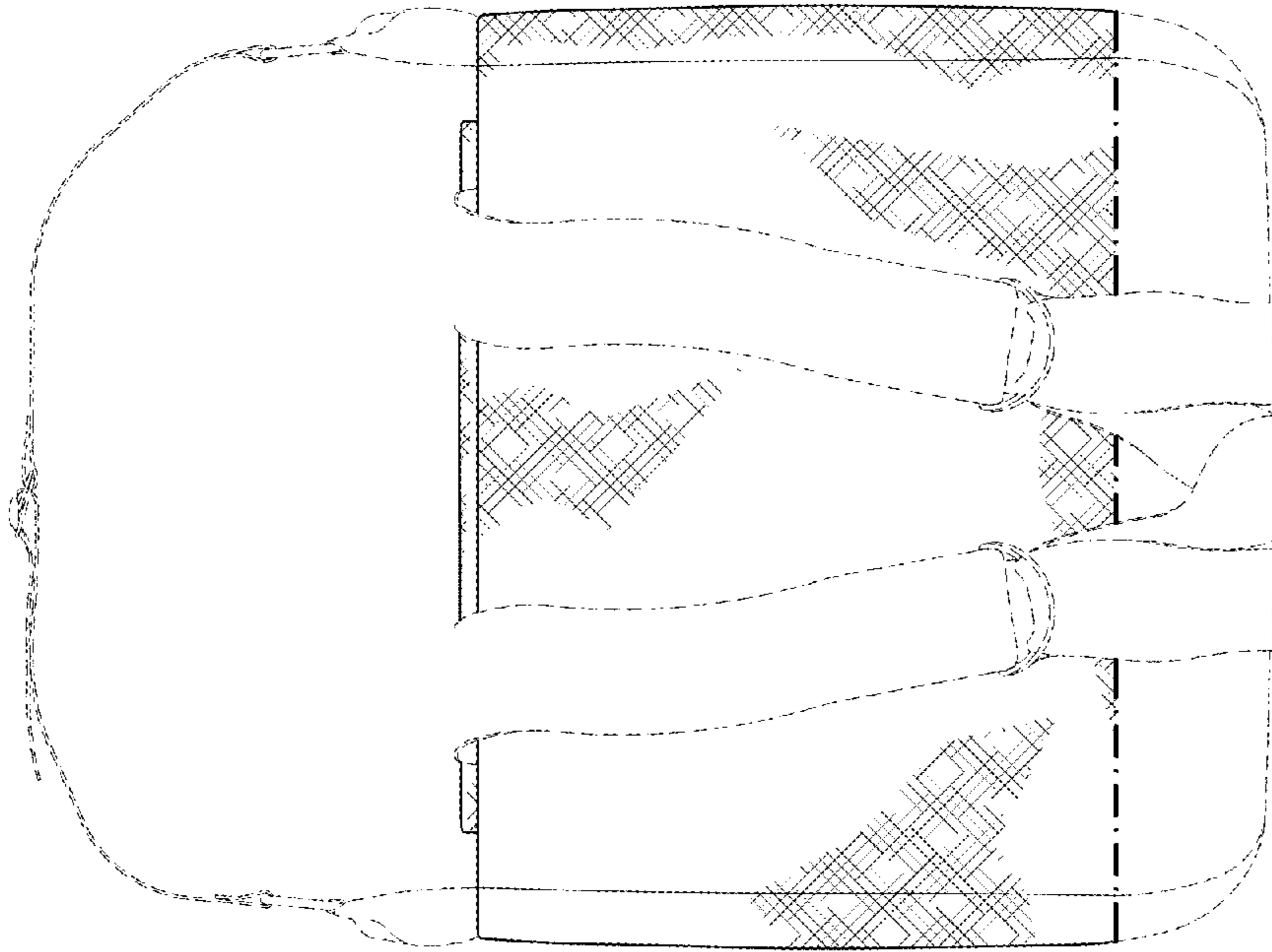


Fig. 11

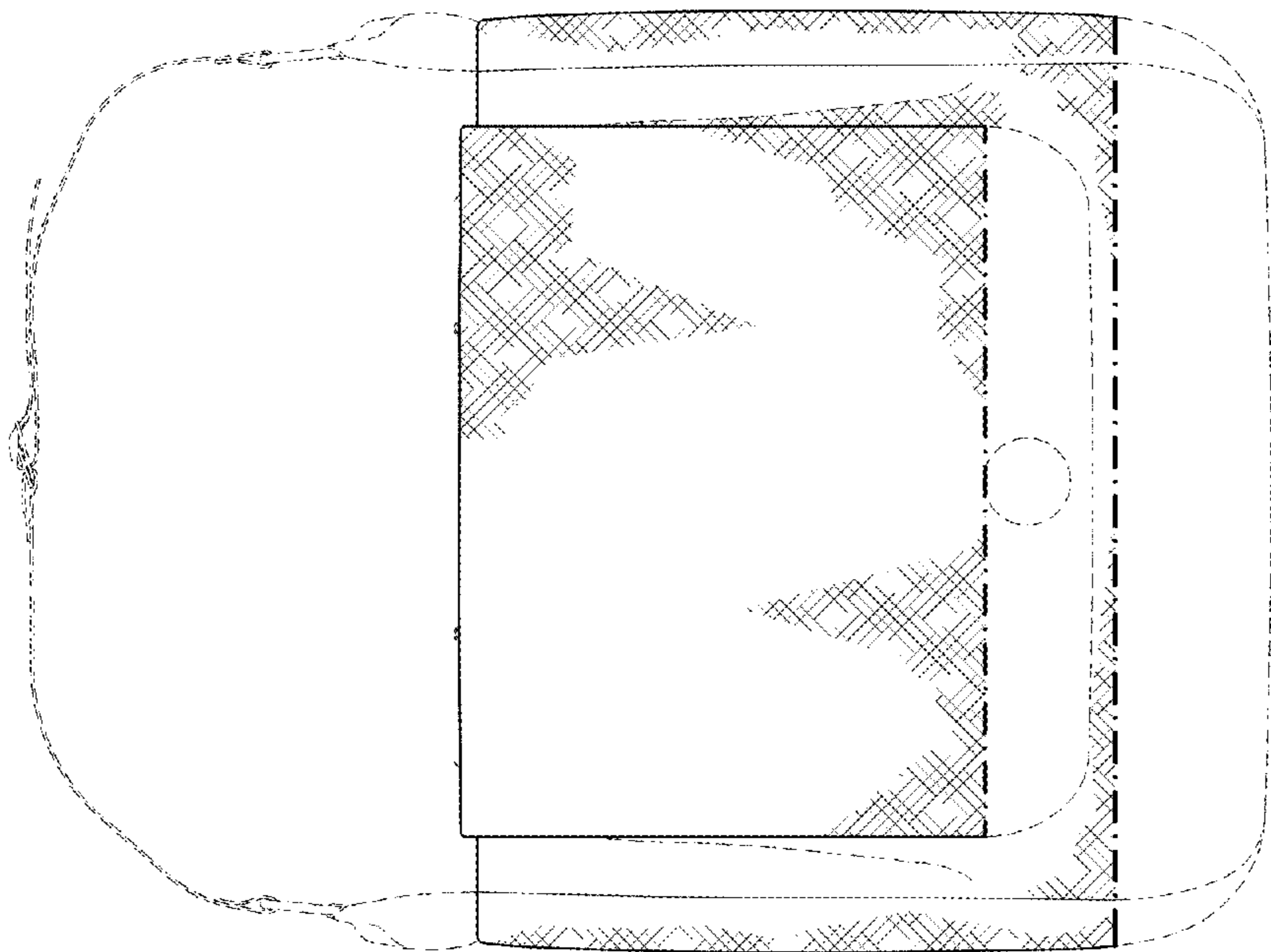


Fig. 10

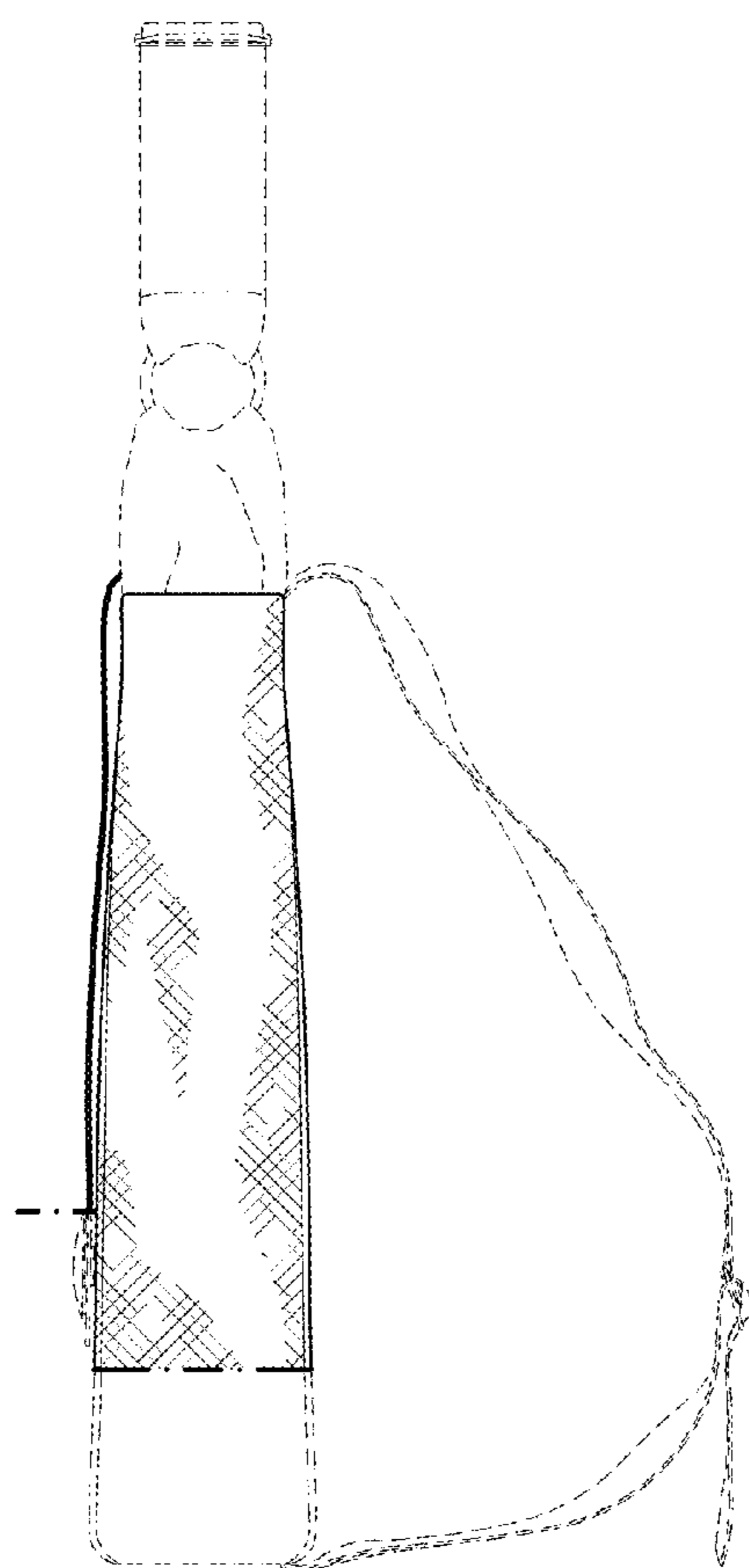


Fig. 12

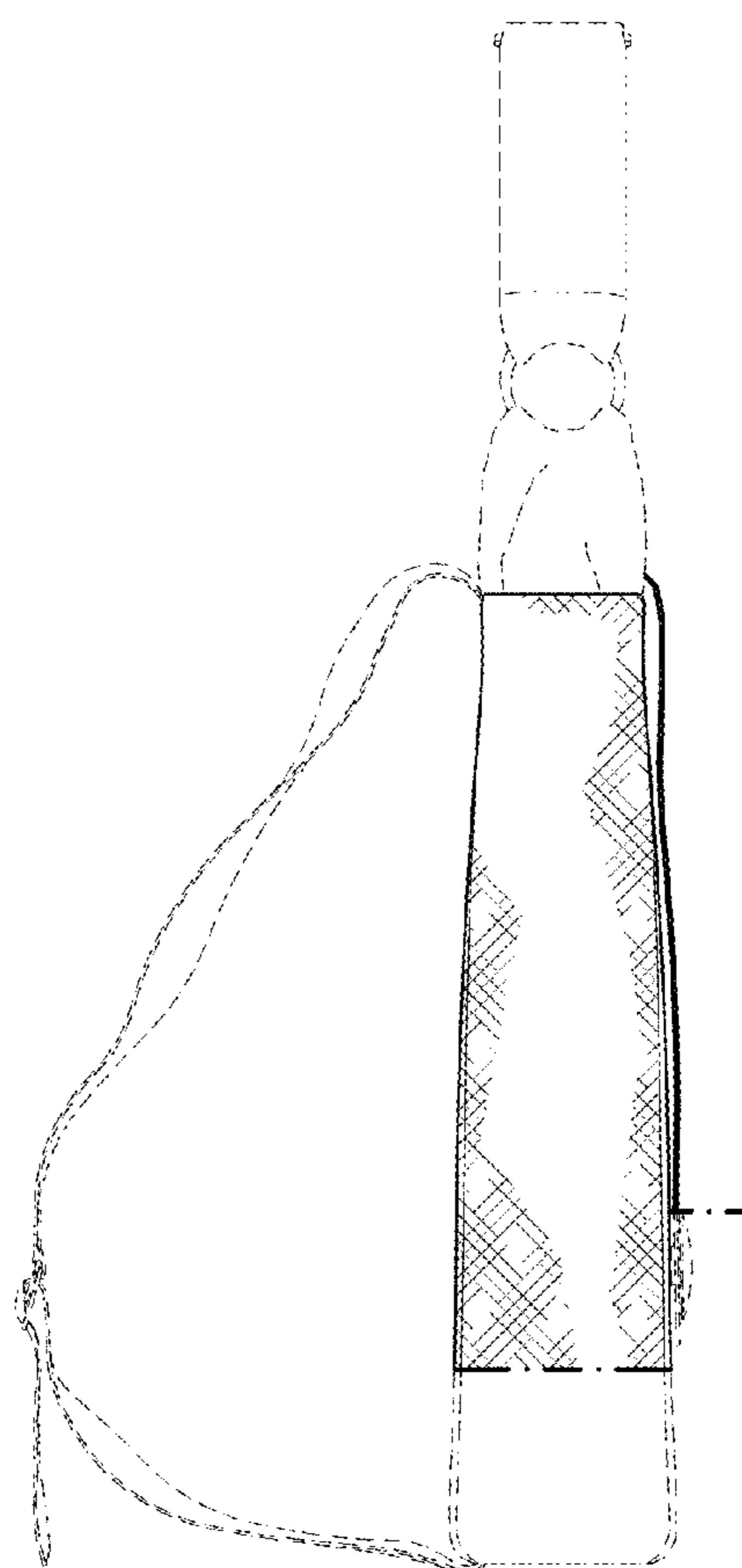


Fig. 13

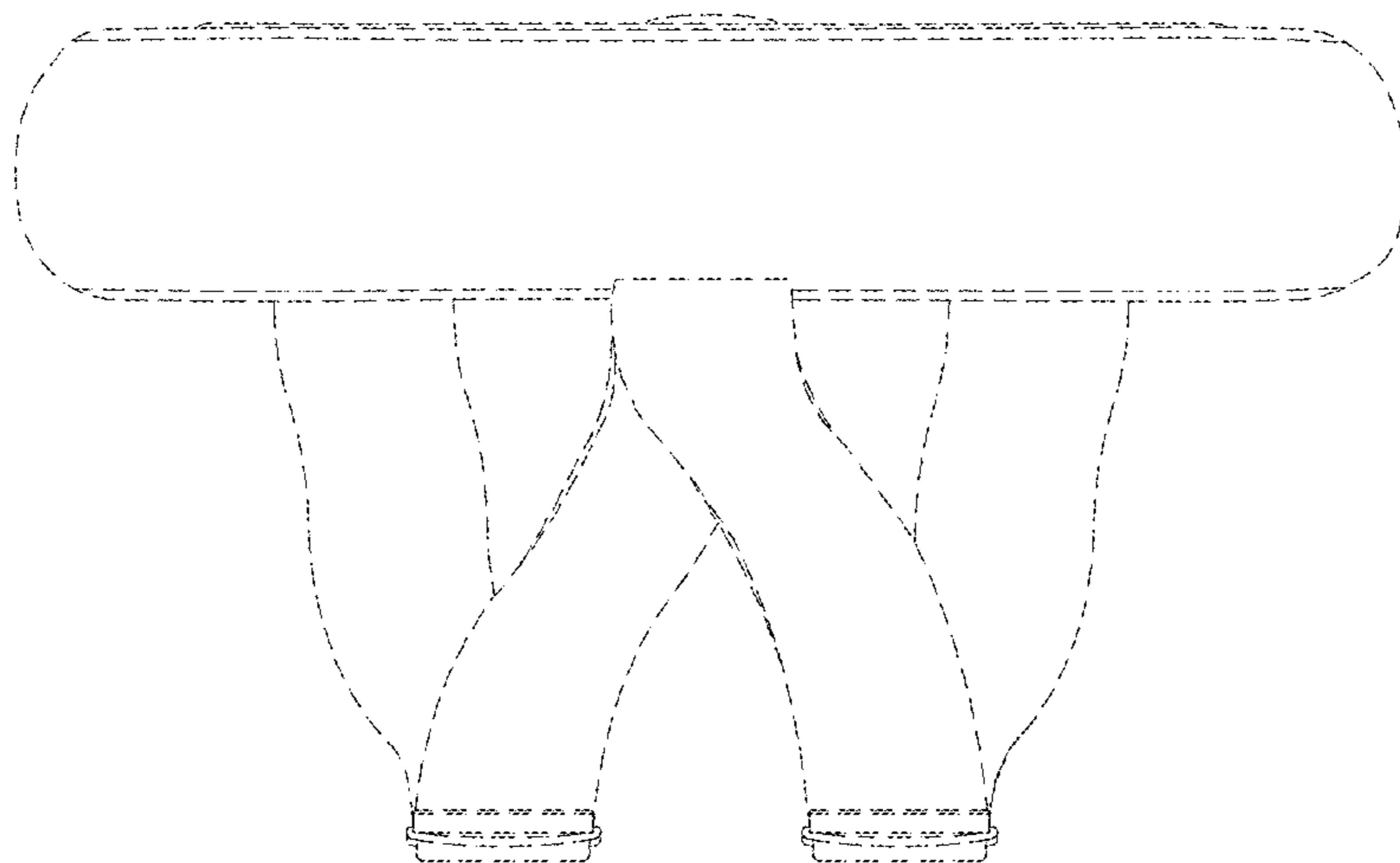


Fig. 14

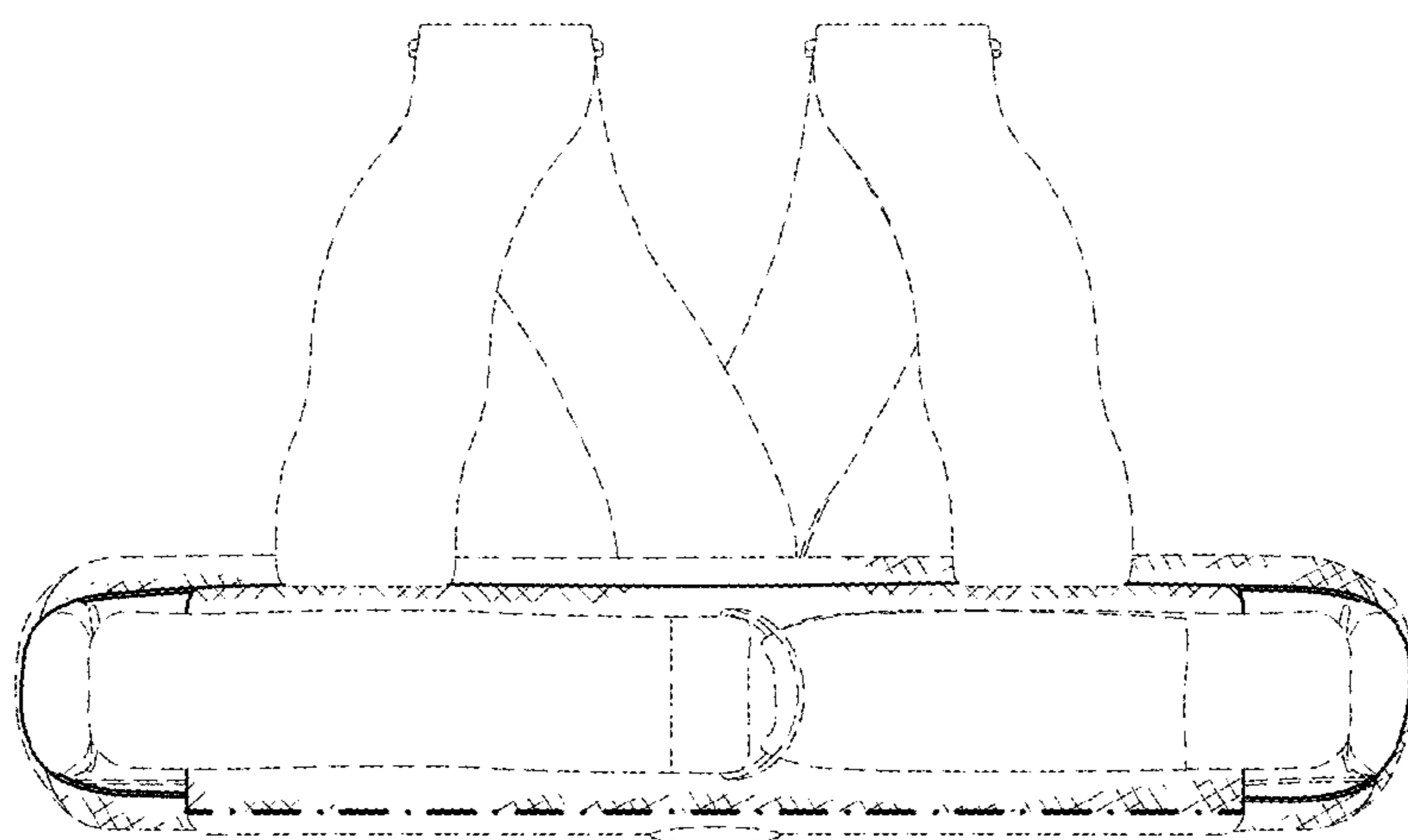


Fig. 15

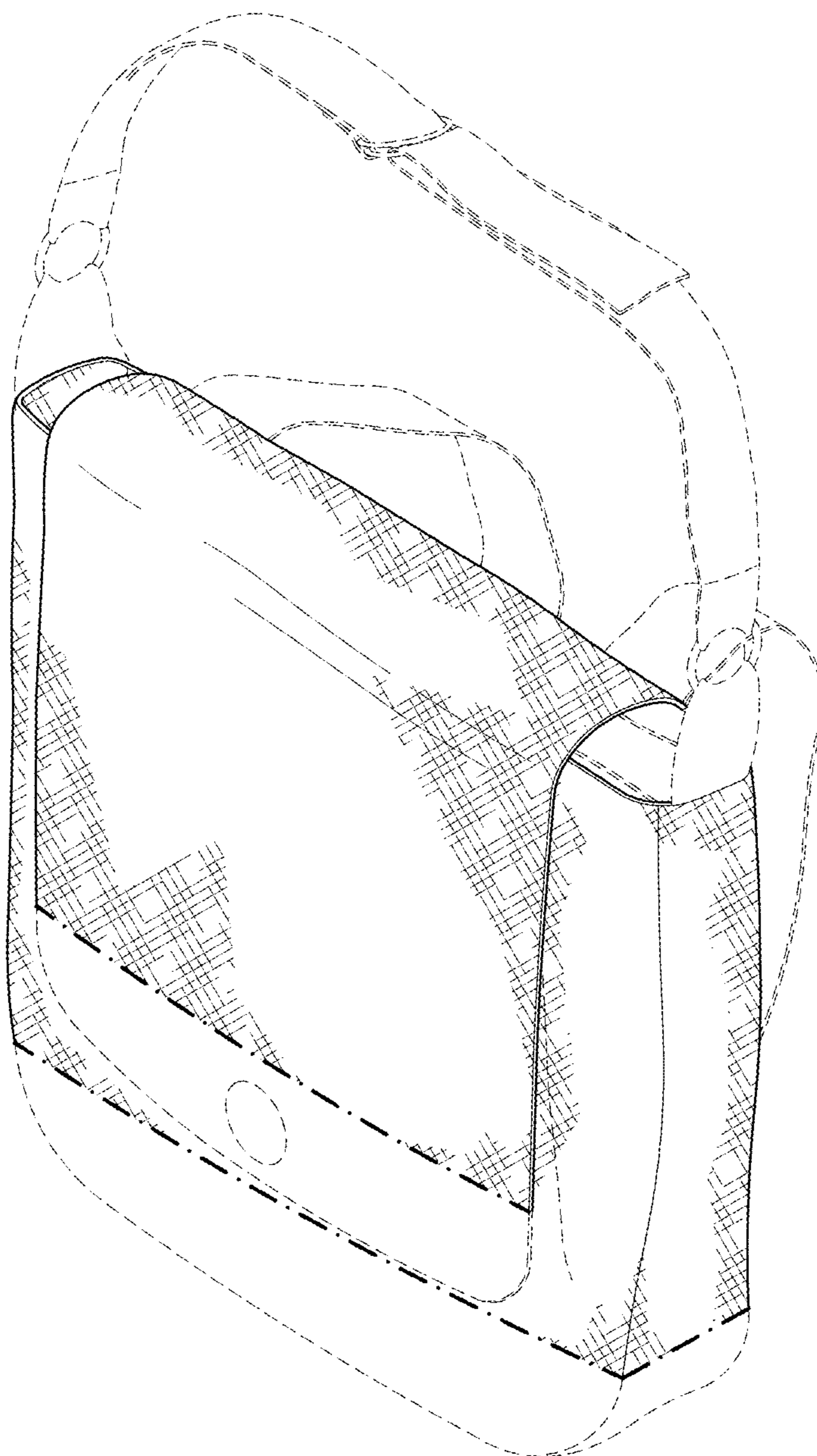


Fig. 16