

US00D692213S

(12) **United States Design Patent**  
**Brack**

(10) **Patent No.:** **US D692,213 S**

(45) **Date of Patent:** **\*\* \*Oct. 29, 2013**

(54) **HAT WITH OPENING FOR PONYTAIL**

(76) Inventor: **Alison Brack**, Olathe, CO (US)

(\*) Notice: This patent is subject to a terminal disclaimer.

(\*\*) Term: **14 Years**

(21) Appl. No.: **29/413,833**

(22) Filed: **Feb. 21, 2012**

(51) **LOC (9) Cl.** ..... **02-03**

(52) **U.S. Cl.**  
USPC ..... **D2/891**

(58) **Field of Classification Search**

USPC ..... D2/865, 866, 869, 870, 872, 873, 875,  
D2/876, 877, 878, 879, 882, 886, 891;  
D29/102, 103, 104, 105, 106, 107, 108,  
D29/109, 110; 2/171, 181, 181.2, 182.8,  
2/175.1, 175.2, 175.3, 175.9, 209.12,  
2/209.13, 209.3, 209.7

See application file for complete search history.

(56) **References Cited**

**U.S. PATENT DOCUMENTS**

5,170,509 A \* 12/1992 Leopold ..... 2/195.1  
5,325,540 A 7/1994 Kronenberger  
D350,427 S 9/1994 Vig et al.  
5,511,249 A 4/1996 Higgins  
D404,846 S \* 1/1999 Day ..... D29/106  
D405,590 S 2/1999 Bartz  
5,933,872 A 8/1999 Lema  
D424,282 S 5/2000 Crumpton et al.  
7,178,172 B2 \* 2/2007 Laing ..... 2/209.13  
D564,183 S 3/2008 Roach  
7,454,799 B2 11/2008 Wuensche et al.  
D594,185 S \* 6/2009 Lacy ..... D2/879  
7,945,971 B2 5/2011 Garza

7,971,278 B2 \* 7/2011 Klamerus, Jr. .... 2/209.13  
D650,950 S \* 12/2011 Richard ..... D29/102  
D654,252 S \* 2/2012 Denny ..... D2/887  
D657,536 S \* 4/2012 Randolph ..... D2/887  
2004/0128740 A1 \* 7/2004 Hoyez ..... 2/209.7  
2008/0209615 A1 \* 9/2008 Raftery ..... 2/209.13

**OTHER PUBLICATIONS**

Ponytail hat tailor-made for glamorous cowgirls, by LLuvia Mares, posted on-line Jun. 16, 2007; downloaded from the Internet Mar. 22, 2013; URL: <http://www.reporternews.com/news/2007/jun/16/ponytail-hat-tailor-made-for-glamorous-c/>. (2 pages).\*

\* cited by examiner

*Primary Examiner* — Karen E Eldridge Powers

(74) *Attorney, Agent, or Firm* — John A. Arsenault

(57) **CLAIM**

I claim the ornamental design for a “hat with opening for ponytail,” as shown and described.

**DESCRIPTION**

FIG. 1 is a rear perspective view of a hat embodying my design, shown with the hair of a wearer being passed through an opening;

FIG. 2 is a rear elevation view of the design shown in FIG. 1;

FIG. 3 is a left side elevation view thereof;

FIG. 4 is a top plan view thereof; and,

FIG. 5 is a lower front perspective view thereof.

The hat shown in broken lines illustrate features of the article in which the design is embodied that form no part of the claim.

The partial human figure shown in broken lines is environmental subject matter included to assist in showing how the design appears when worn, and forms no part of the claim.

**1 Claim, 3 Drawing Sheets**

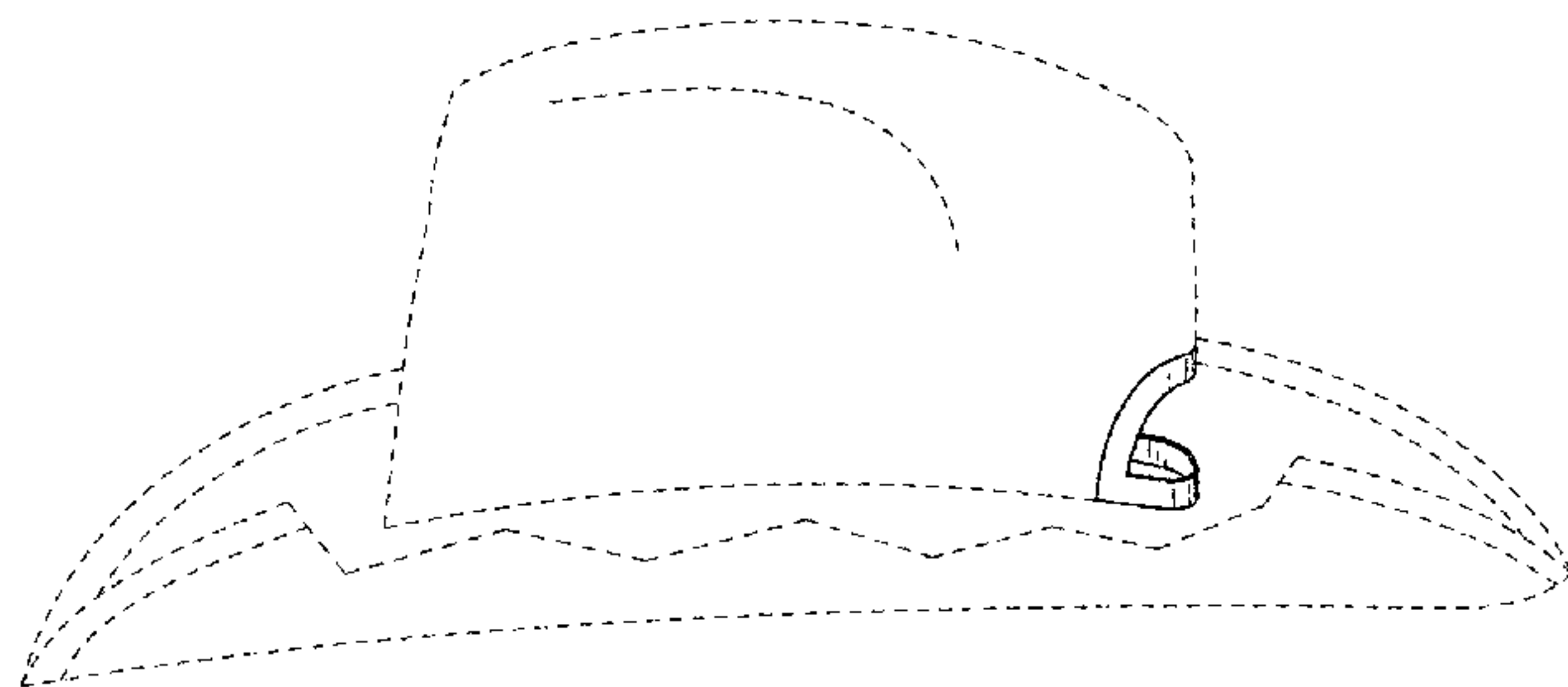
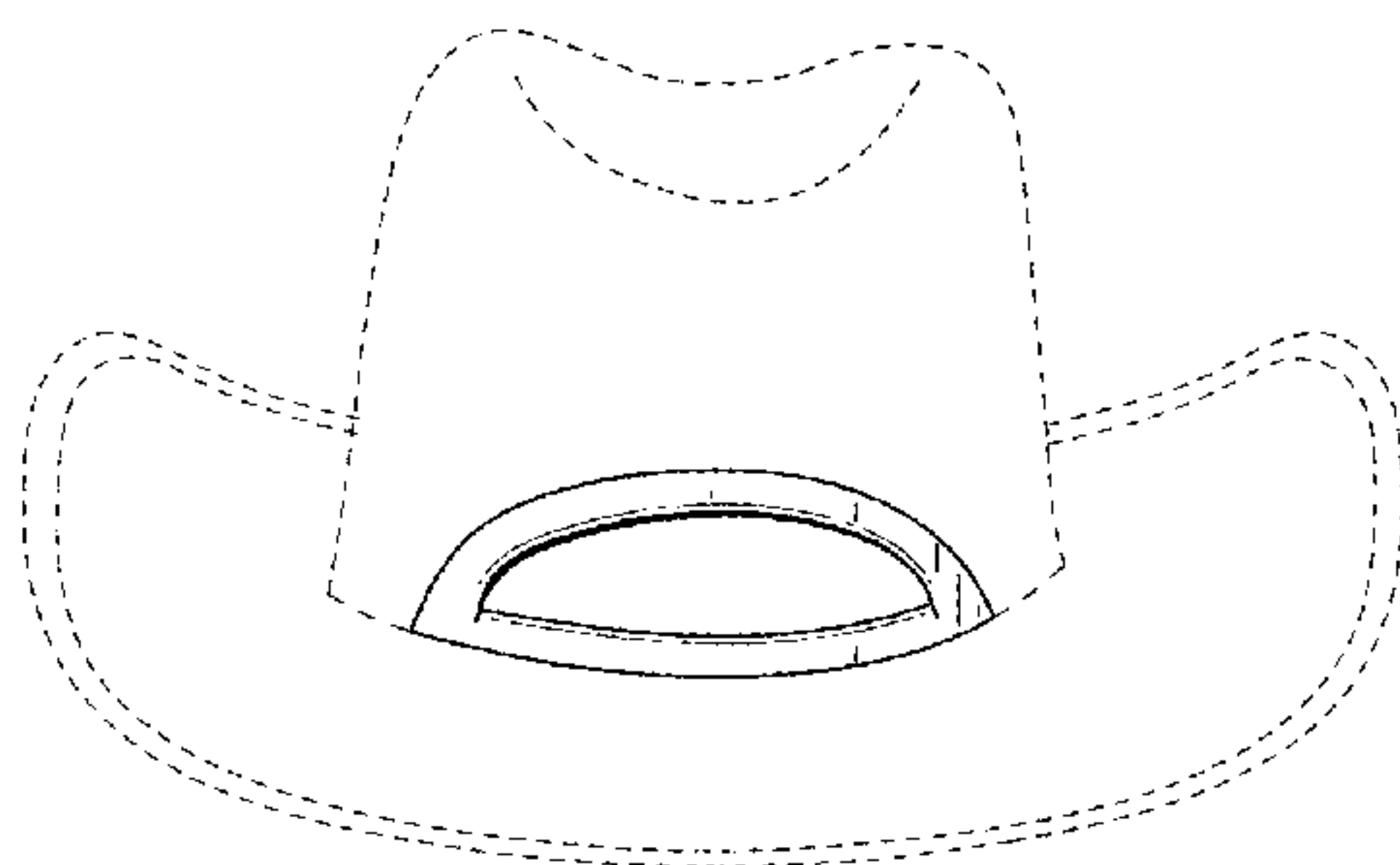


FIG. 1

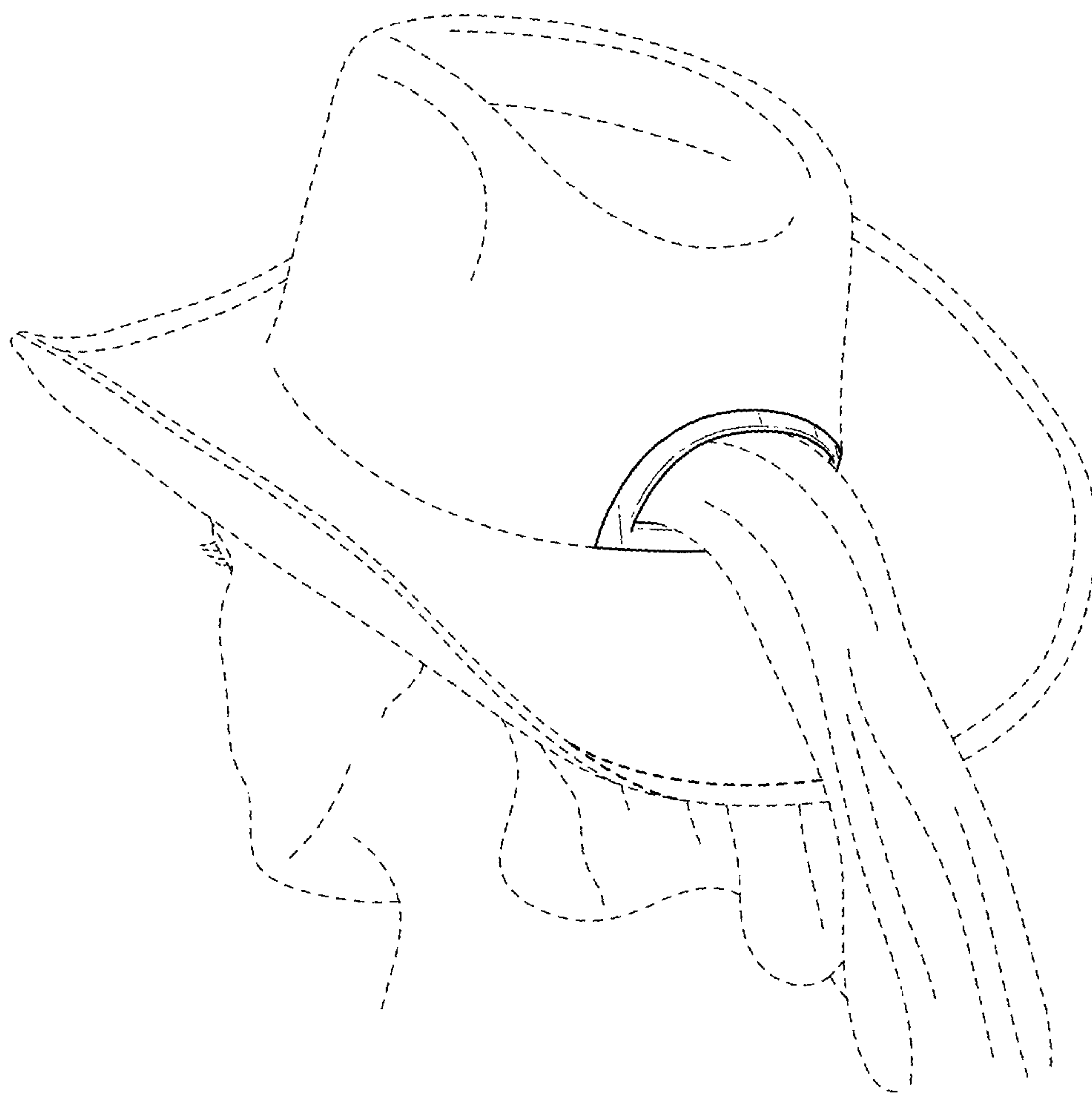


FIG. 2

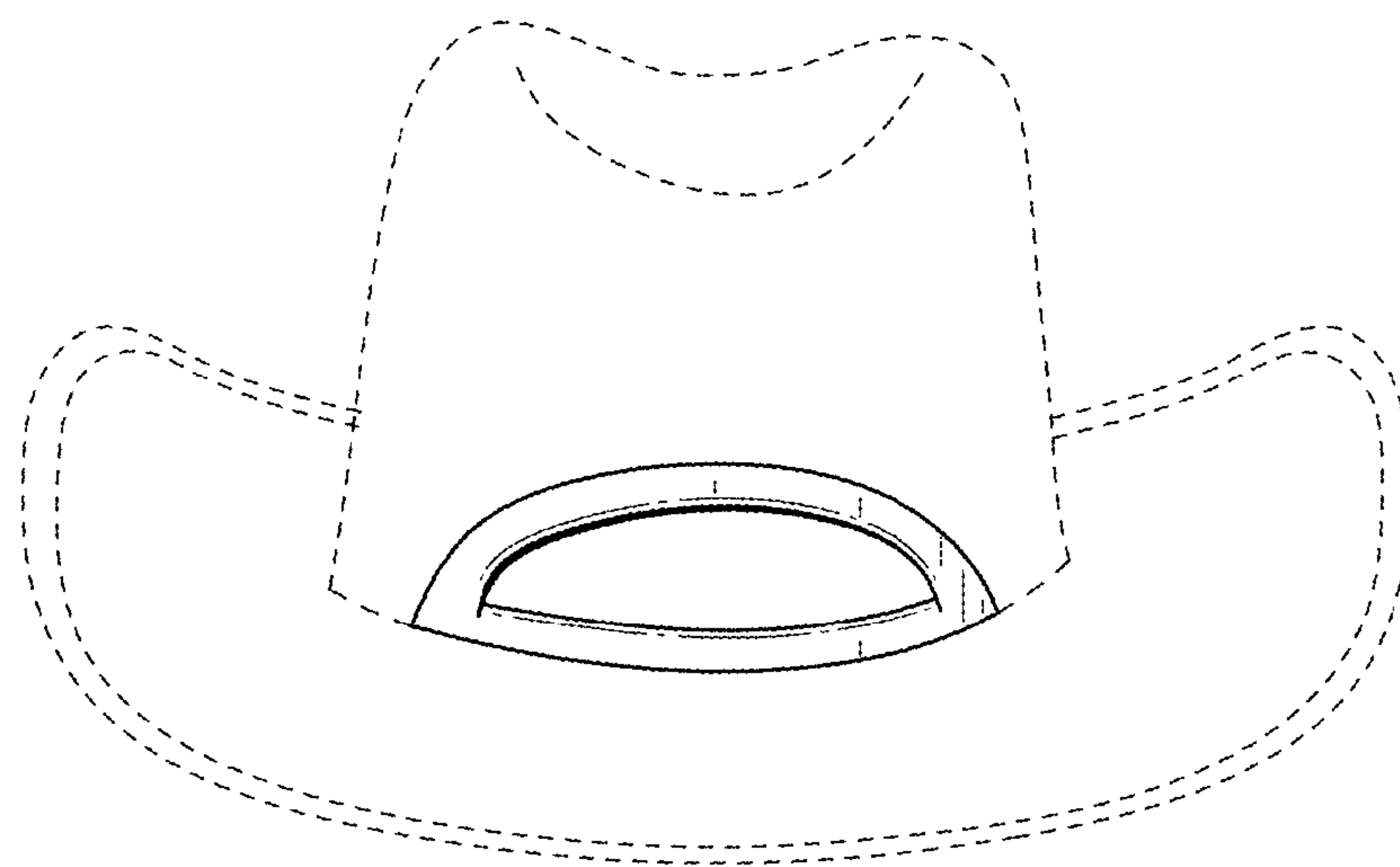


FIG. 3

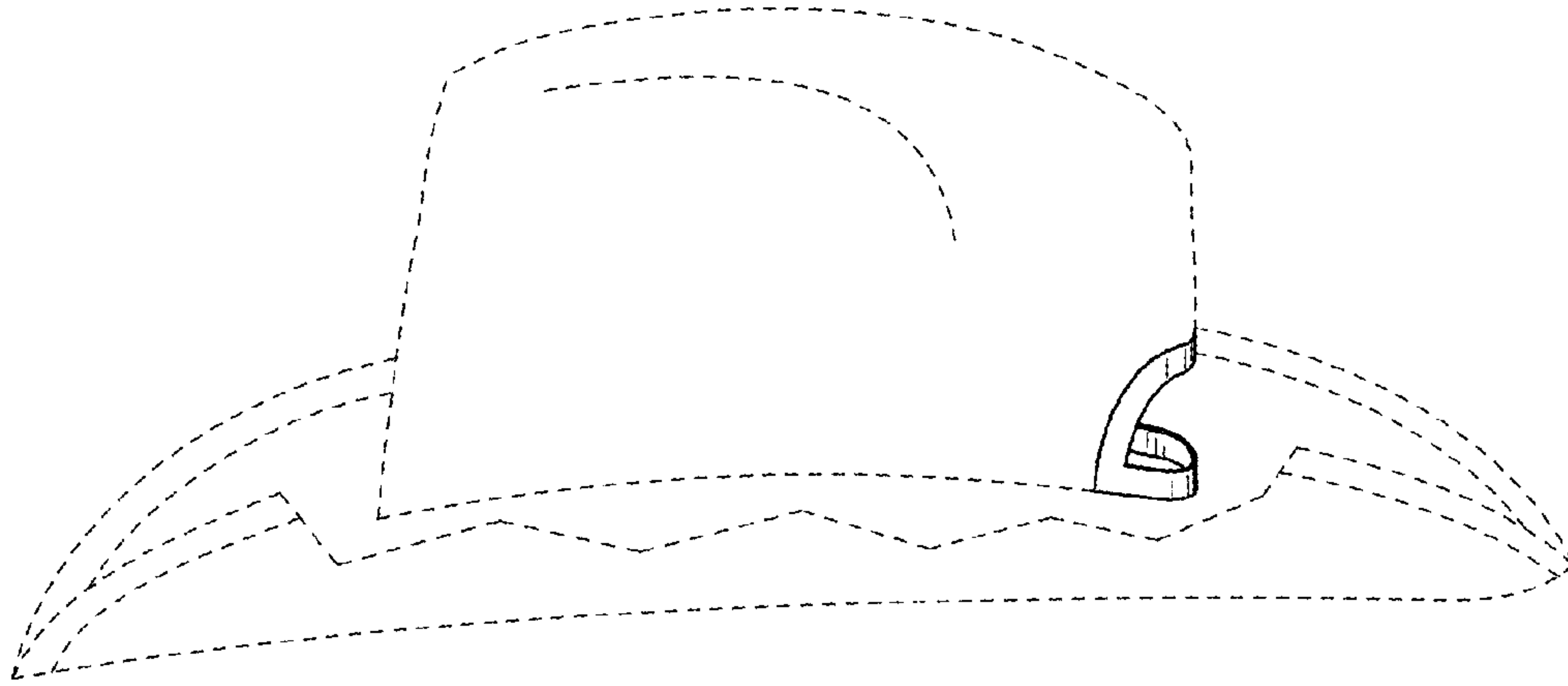


FIG. 4

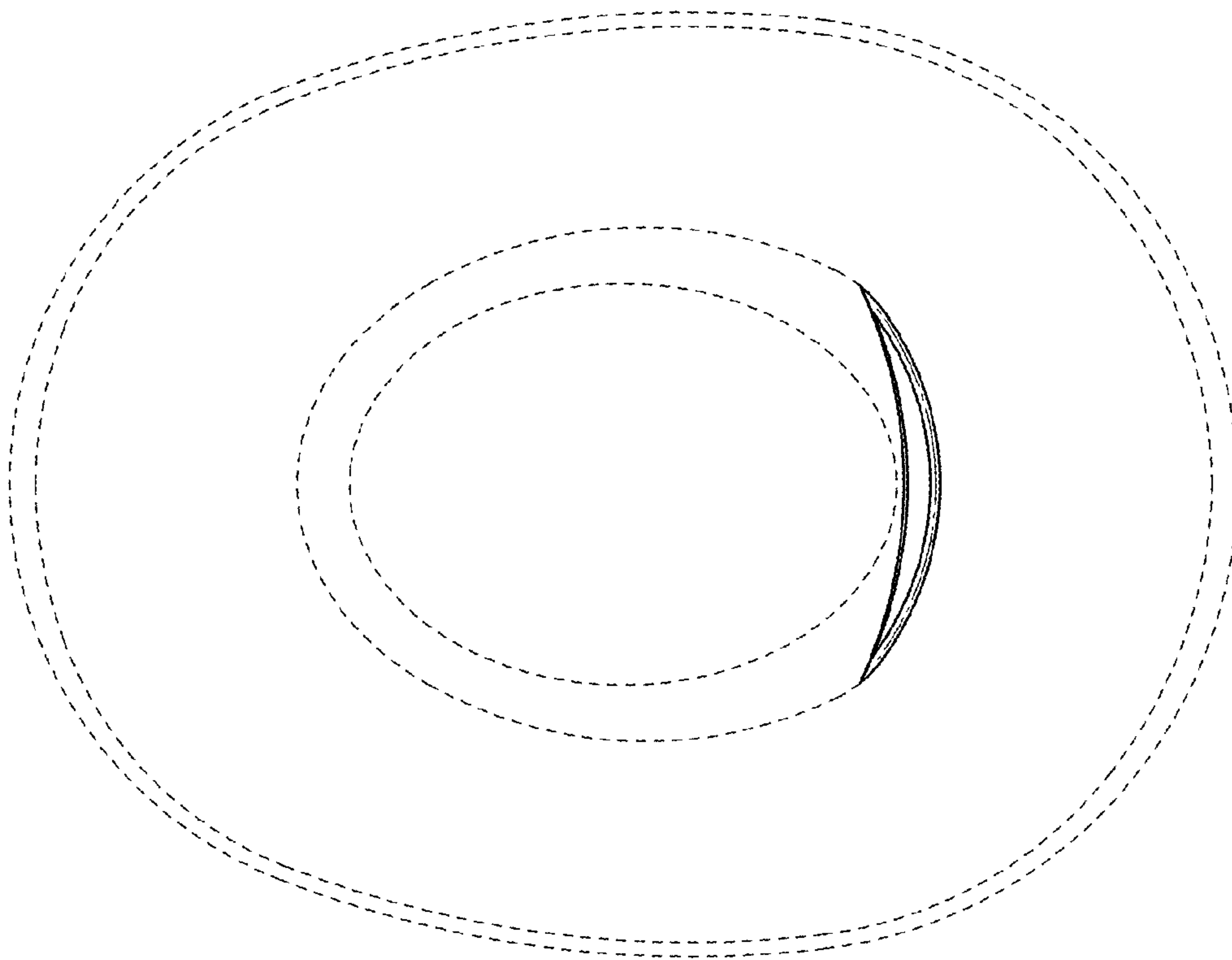


FIG. 5

