



US00D692212S

(12) **United States Design Patent**
Coward

(10) **Patent No.:** **US D692,212 S**

(45) **Date of Patent:** **** *Oct. 29, 2013**

(54) **HOODIE**

(76) **Inventor:** **Steven Coward, Detroit, MI (US)**

(*) **Notice:** This patent is subject to a terminal disclaimer.

(**) **Term:** **14 Years**

(21) **Appl. No.:** **29/407,930**

(22) **Filed:** **Dec. 5, 2011**

(51) **LOC (9) Cl.** **02-02**

(52) **U.S. Cl.**
USPC **D2/857**

(58) **Field of Classification Search**
USPC D2/716, 717, 720, 724, 750, 751, 828,
D2/831, 832, 833, 837, 840-844, 857,
D2/865-895, 864, 863; 2/2.17, 46, 77,
2/78.1, 80, 84, 115, 202, 203, 204, 205,
2/209.12, 209.13, 243.1, 247, 455, 248,
2/250

See application file for complete search history.

(56) **References Cited**

U.S. PATENT DOCUMENTS

40,238	A *	10/1863	Broad	99/526
1,645,502	A *	10/1927	Sweet	2/227
D98,863	S *	3/1936	Jacobson	D2/853
D311,808	S *	11/1990	Chvilicek et al.	D29/101.2
D377,267	S *	1/1997	DiPietro	D3/265
D395,539	S *	6/1998	DiPietro	D2/849
6,839,911	B1 *	1/2005	Mathews	2/93
D543,011	S *	5/2007	Waite	D2/839
D553,330	S *	10/2007	Wager	D2/831
D570,577	S *	6/2008	Keppler	D2/750
7,636,949	B1 *	12/2009	Shooshan	2/48

7,684,755	B2 *	3/2010	Pierce et al.	455/41.2
D615,731	S *	5/2010	Oneto, Sr.	D2/750
D621,132	S *	8/2010	Crisp	D2/831
D627,540	S *	11/2010	Claeys	D2/750
D636,973	S *	5/2011	Smith et al.	D2/831
D653,836	S *	2/2012	Woyshner et al.	D2/750
2005/0028242	A1 *	2/2005	Thomas et al.	2/84
2008/0196140	A1 *	8/2008	Mayerson et al.	2/84
2009/0293170	A1 *	12/2009	Kiker	2/84
2010/0175161	A1 *	7/2010	Jarboe	2/69
2011/0185471	A1 *	8/2011	Buczkowski et al.	2/84
2012/0005802	A1 *	1/2012	Claeys	2/84
2013/0000010	A1 *	1/2013	Ryan	2/84

* cited by examiner

Primary Examiner — Ian Simmons

Assistant Examiner — Shannon Weekley

(74) *Attorney, Agent, or Firm* — John R. Benefiel

(57) **CLAIM**

The ornamental design for a hoodie, as shown and described.

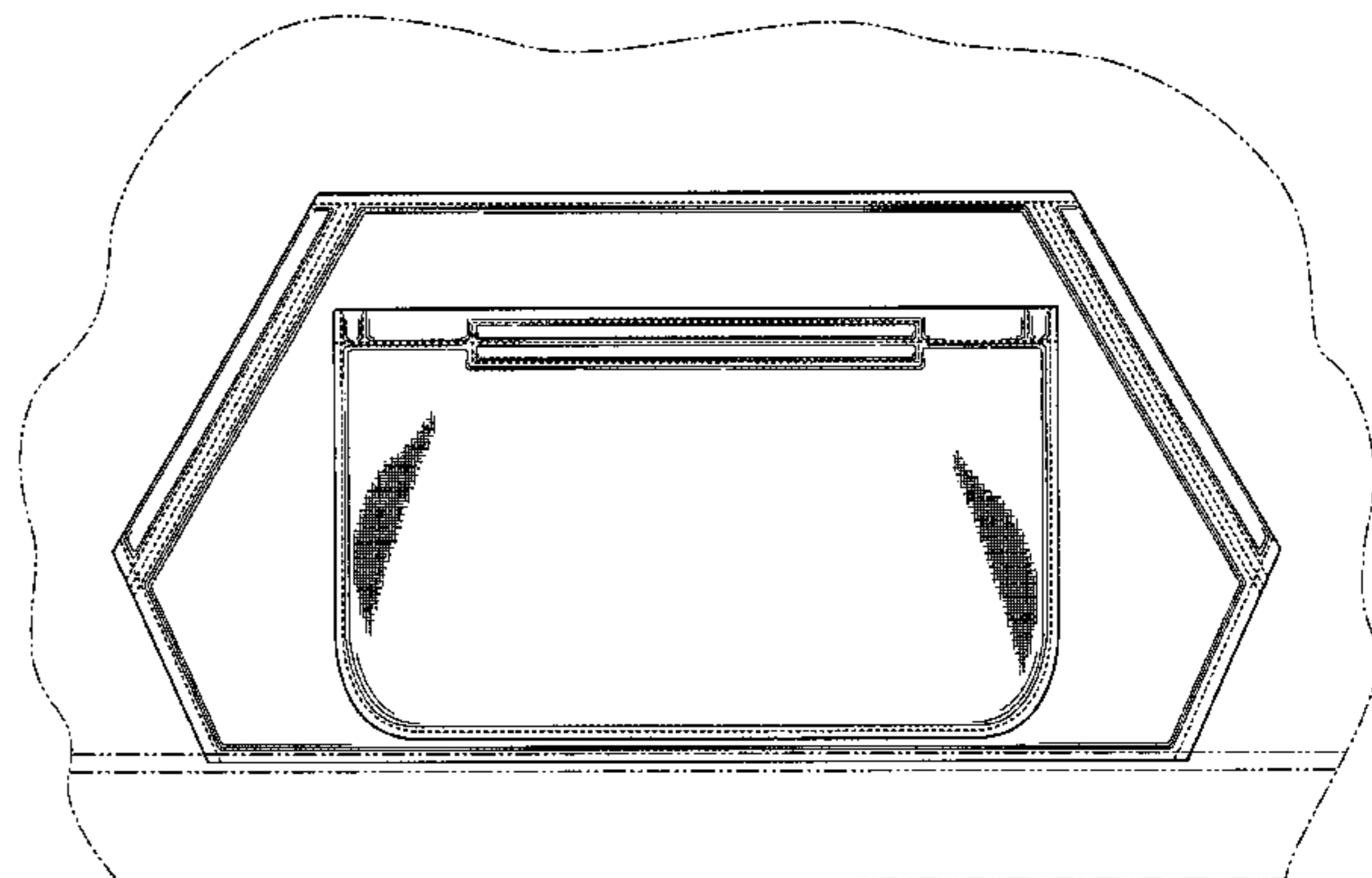
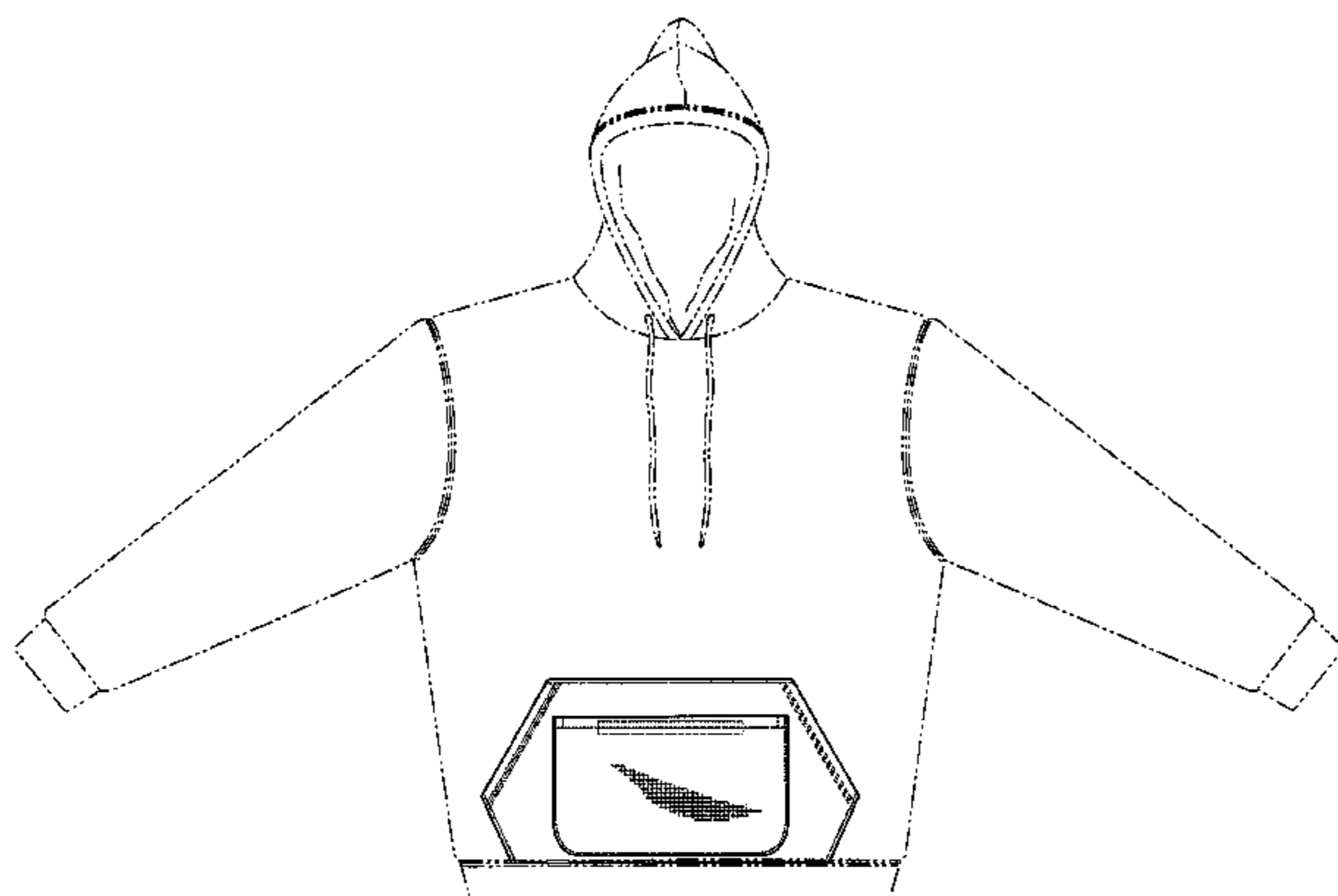
DESCRIPTION

FIG. 1 is a front view of a hoodie according to the present invention, the back being plain and unornamented.

FIG. 2 is an enlarged fragmentary front view of the hoodie shown in FIG. 1 showing details of stitching and piping; and, FIG. 3 is an enlarged pictorial view of a fragmentary portion of the hoodie shown in FIG. 1.

The short dash broken lines on the pocket portion of the hoodie shown in FIGS. 1-3 represent stitching and are part of the claimed design. The long dash, short dash, short dash broken lines of the hoodie shown in FIGS. 1-3 are for the purpose of illustrating environment, and forms not part of the claimed design.

1 Claim, 3 Drawing Sheets



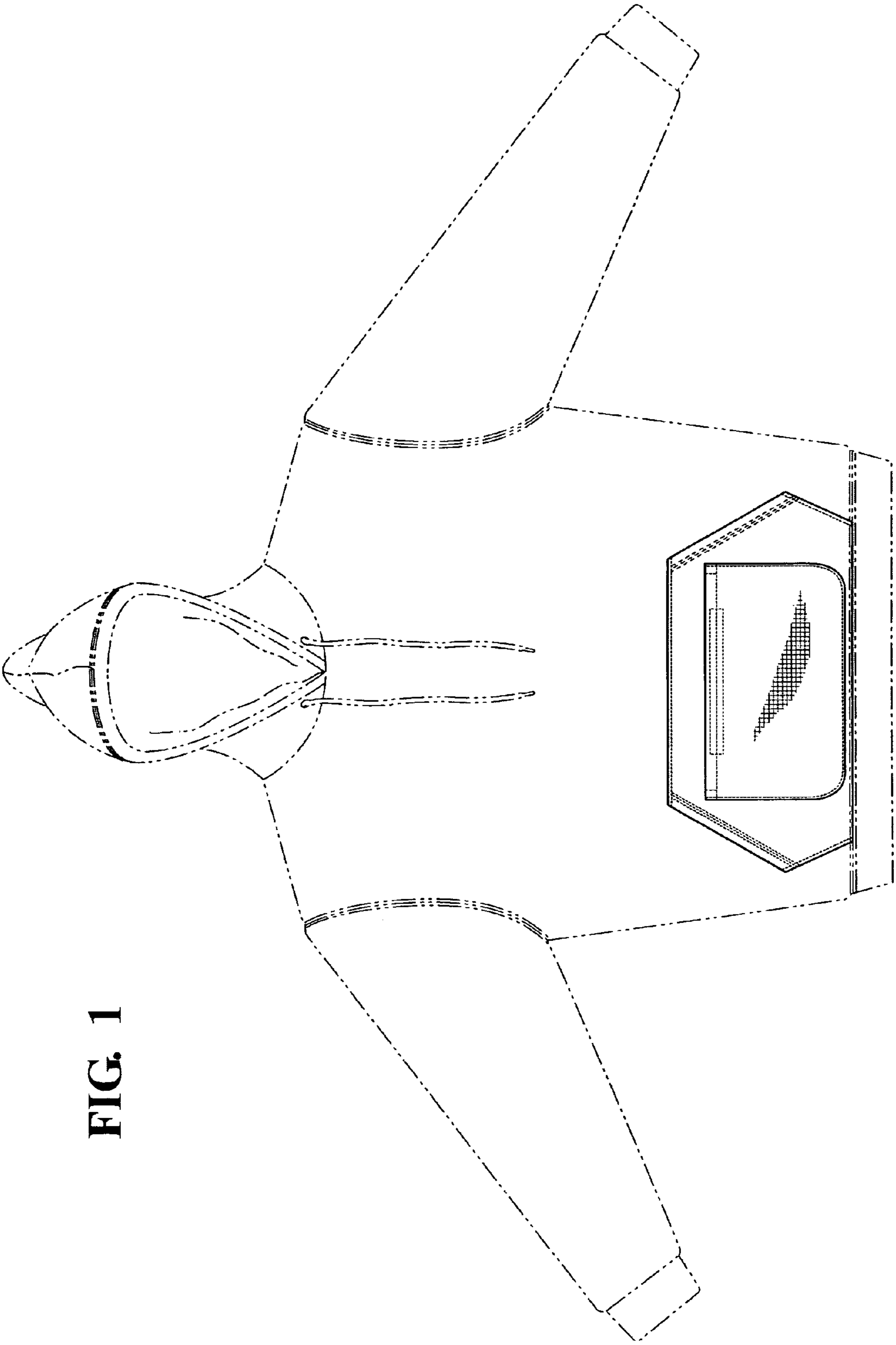
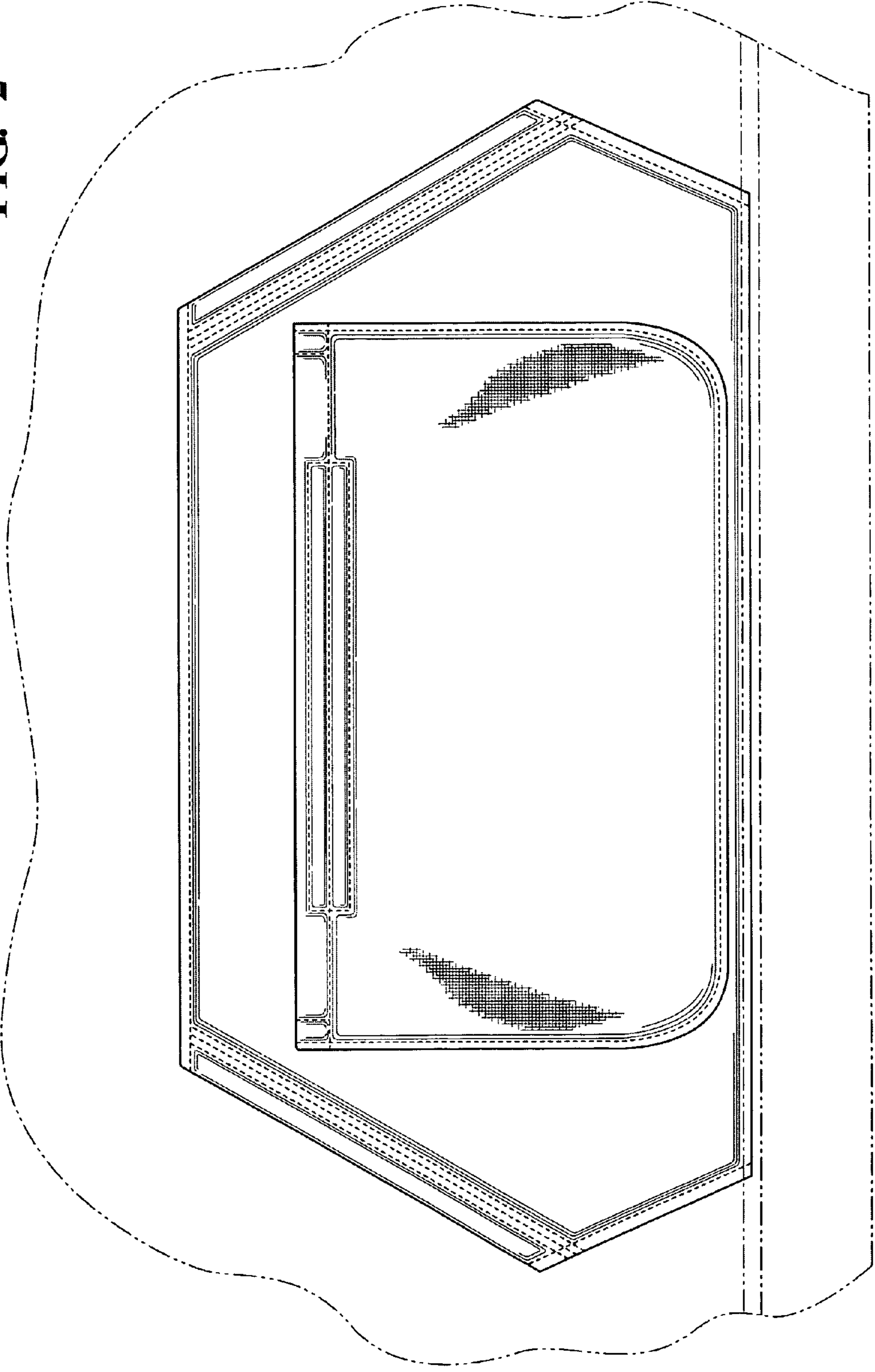


FIG. 1

FIG. 2



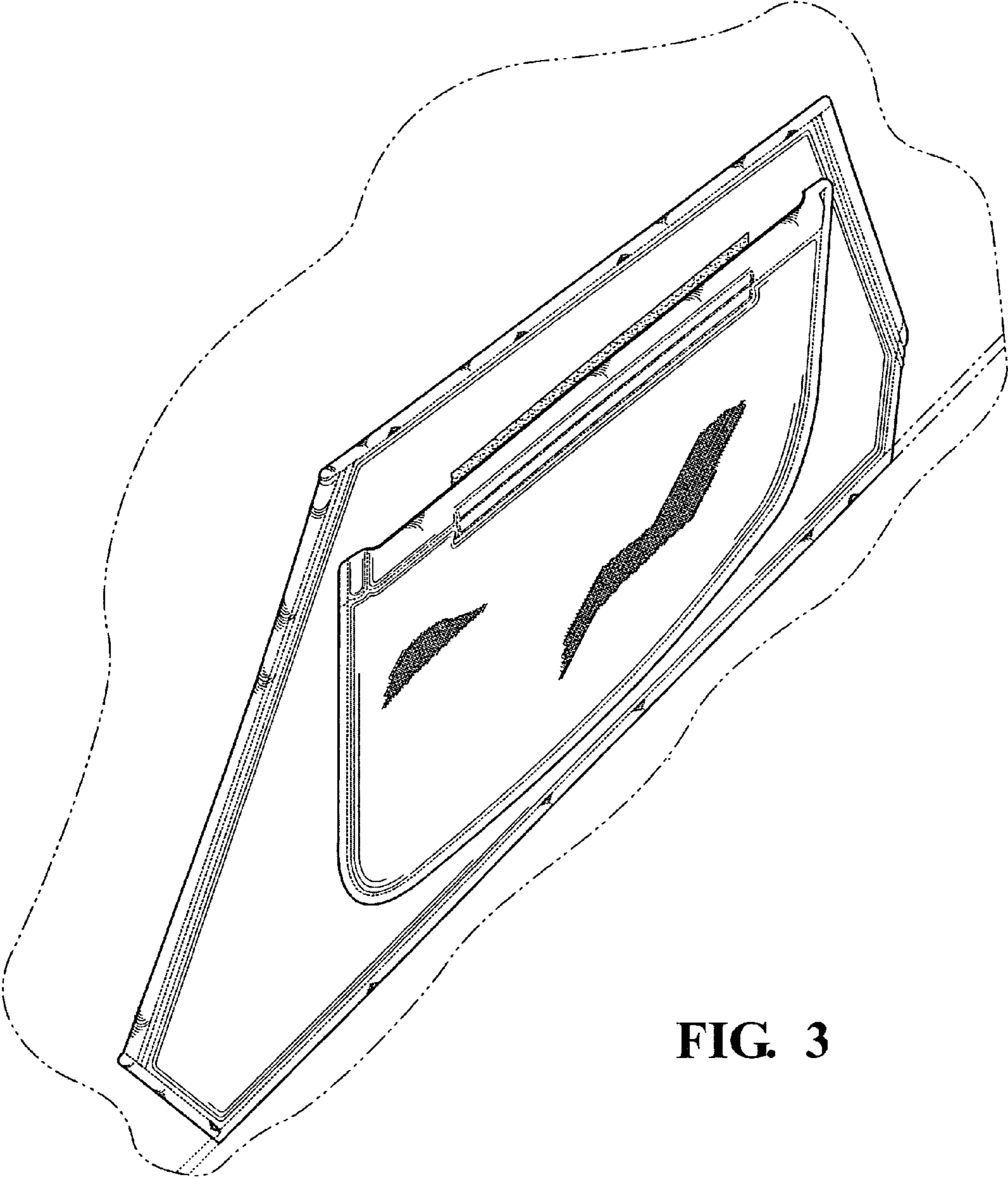


FIG. 3