



US00D692203S

(12) **United States Design Patent**
Feiquan et al.

(10) **Patent No.:** **US D692,203 S**

(45) **Date of Patent:** **** Oct. 22, 2013**

(54) **PALLET TRUCK**

(71) Applicant: **Big Lift LLC**, Lombard, IL (US)

(72) Inventors: **Meng Feiquan**, Hangzhou (CN); **Liu Yuanwei**, Hangzhou (CN); **Jinhui He**, Hangzhou (CN)

(73) Assignee: **Big Lift, LLC**, Lombard, IL (US)

(**) Term: **14 Years**

(21) Appl. No.: **29/460,769**

(22) Filed: **Jul. 15, 2013**

Related U.S. Application Data

(63) Continuation of application No. 29/412,209, filed on Jan. 31, 2012.

(51) **LOC (9) Cl.** **12-05**

(52) **U.S. Cl.**
USPC **D34/34**

(58) **Field of Classification Search**
USPC D34/34, 35; 180/89.12, 299, 325, 315, 180/89.13, 89.17; 280/43.12, 222, 224; 414/685, 679, 294, 572, 592, 631
See application file for complete search history.

(56) **References Cited**

U.S. PATENT DOCUMENTS

D136,279	S *	8/1943	Holland et al.	D34/34
2,592,091	A	4/1952	Weaver		
3,043,388	A	7/1962	Hansen		
3,249,170	A	5/1966	Quayle		
3,295,881	A	1/1967	Worthington		
3,601,423	A	8/1971	Goodacre		
D222,670	S *	11/1971	Goodacre	D34/34
3,854,748	A	12/1974	Goodacre		
D239,165	S *	3/1976	Mono	D34/34
4,047,698	A	9/1977	Ellis		

4,065,012	A	12/1977	Rocco		
4,096,961	A	6/1978	Rocco		
4,103,795	A	8/1978	Miller		
4,287,959	A	9/1981	Inman		
4,577,463	A	3/1986	Kedem		
4,615,533	A	10/1986	Sewell		
5,113,960	A	5/1992	Prinz		
D343,935	S *	2/1994	Drobeck et al.	D34/35
5,618,154	A	4/1997	Irons et al.		
5,752,584	A	5/1998	Magoto et al.		
D408,958	S *	4/1999	Schneider	D34/28
6,125,971	A	10/2000	Niebuhr et al.		
6,260,646	B1	7/2001	Fernandez et al.		

(Continued)

OTHER PUBLICATIONS

Brochure for "PDS Power Drive Straddle Trucks" issued by Blue Giant®, Sep. 1, 2010 (2 pages).

(Continued)

Primary Examiner — Cynthia Ramirez

(74) *Attorney, Agent, or Firm* — Cook Alex Ltd.

(57) **CLAIM**

We claim the ornamental design for a pallet truck, as shown and described.

DESCRIPTION

FIG. 1 is a rear perspective view of a pallet truck according to our new design;

FIG. 2 is a front perspective view thereof;

FIG. 3 is a rear elevational view thereof;

FIG. 4 is a right side elevational view thereof;

FIG. 5 is a left side elevational view thereof;

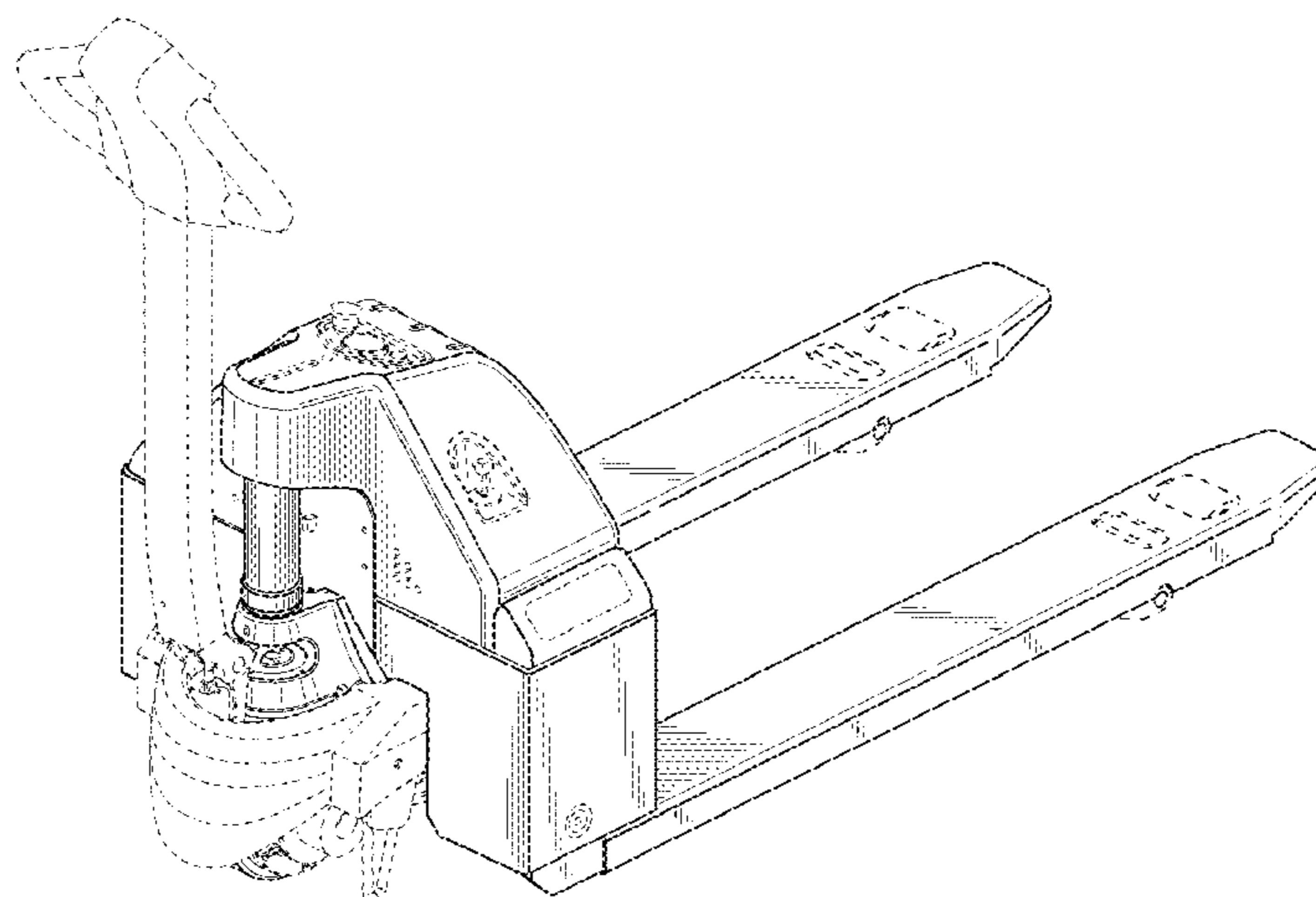
FIG. 6 is a front elevational view thereof;

FIG. 7 is a top plan view thereof; and,

FIG. 8 is a bottom plan view thereof.

The broken lines are for illustrative purposes only and form no part of the claimed design.

1 Claim, 5 Drawing Sheets



(56)

References Cited

U.S. PATENT DOCUMENTS

D447,612 S 9/2001 Niebuhr
 D464,785 S * 10/2002 Gallagher D34/35
 7,040,427 B2 5/2006 Toomey
 D530,878 S 10/2006 Ruppert et al.
 D542,004 S * 5/2007 Righi D34/34
 D559,498 S * 1/2008 Ruppert et al. D34/34
 D562,525 S * 2/2008 Graf et al. D34/34
 D565,270 S * 3/2008 Ruppert et al. D34/34
 D583,124 S 12/2008 Stark
 7,744,335 B1 6/2010 Cleary
 D655,064 S * 2/2012 Knie D34/34
 8,230,976 B2 7/2012 Baldini
 8,246,008 B2 8/2012 De Jong et al.
 D674,982 S * 1/2013 Babel et al. D34/35
 8,360,443 B2 1/2013 Ellington

2005/0036880 A1 2/2005 Magoto et al.
 2006/0181039 A1 8/2006 Fridlington, Jr.
 2009/0260923 A1 10/2009 Baldini

OTHER PUBLICATIONS

Website for Shanghai Noblelift Co. Ltd. Guangzhou Subsidiary
 “Semi-electric Pallet Truck Spt” <http://gdnobliften.en.busytrade.com/products/info/1904267/Semi-electric-Pallet-Truck-Spt.html>,
 accessed Jan. 13, 2012, (4 pages).
 Website for Stars for “Electric Vehicle—Electric Pallet Truck,” <http://www.starstw.com/news/stars-electric-pallet-truck.html>, accessed
 Jan. 13, 2012 (1 page).
 Website for Cherry’s Industrial Equipment for “SPT15-Semi Electric
 Pallet Truck” <http://www.pallettruck.com/spt15.html>, accessed Jan.
 17, 2012 (1 Page).

* cited by examiner

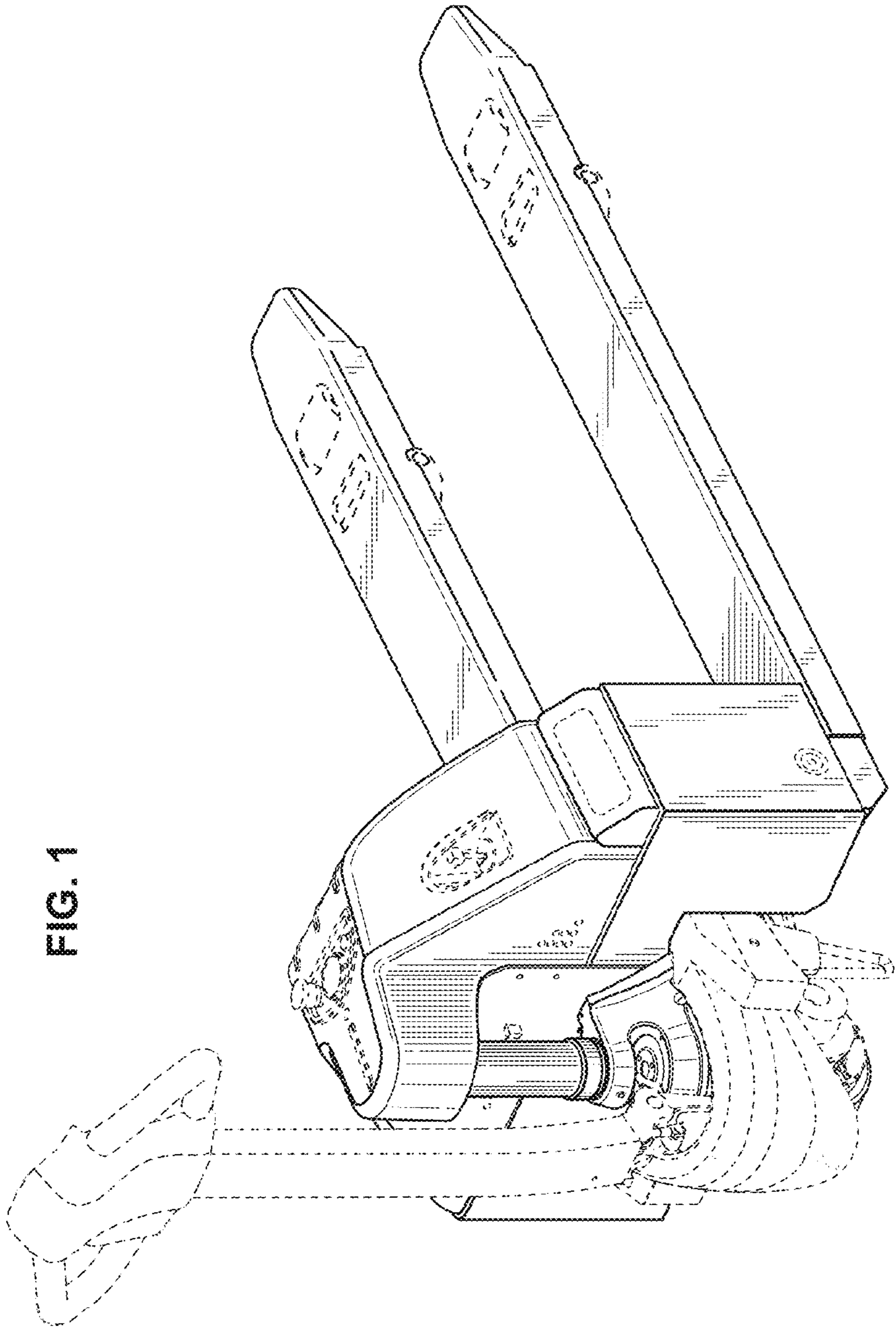


FIG. 1

FIG. 2

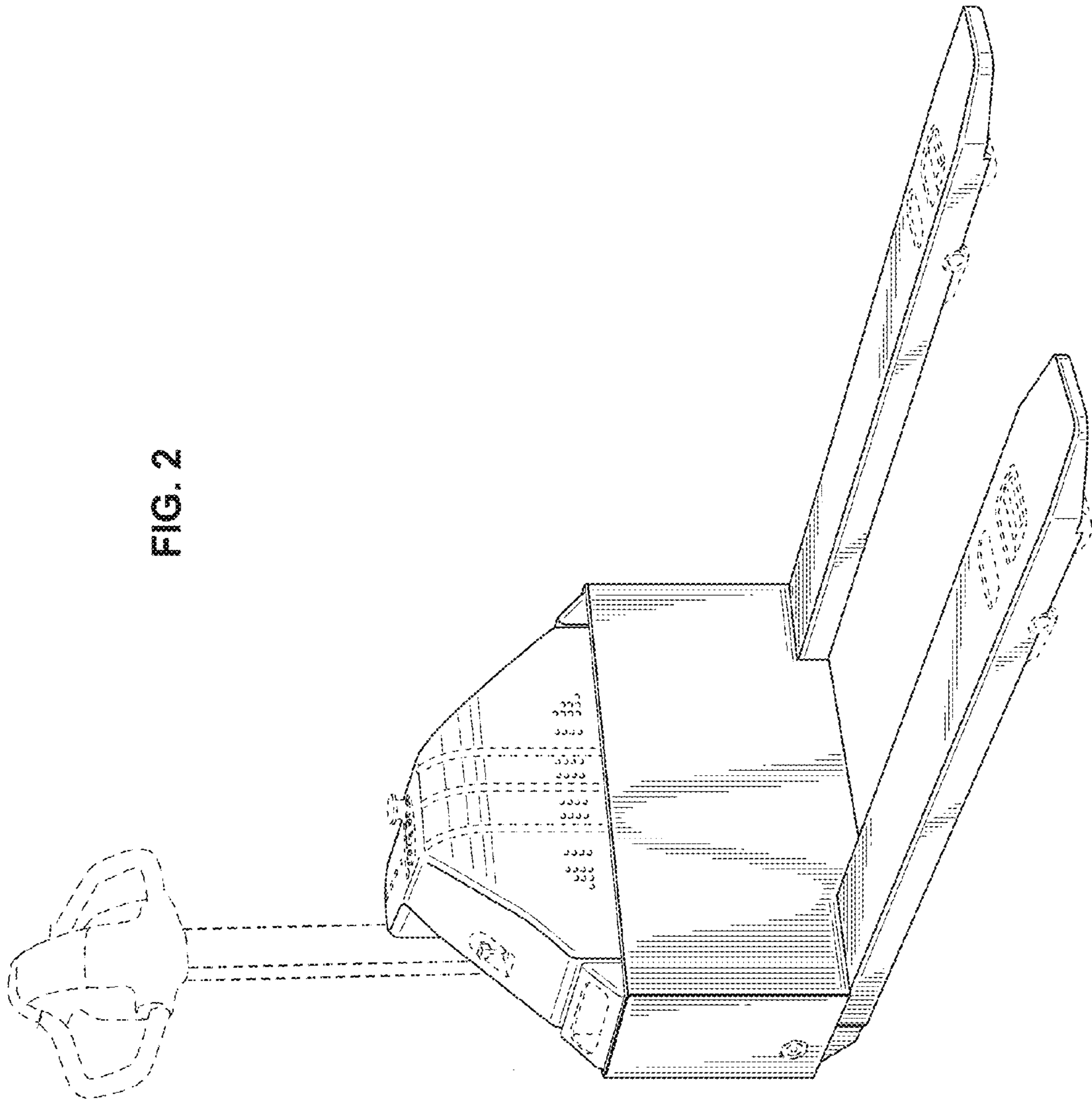


FIG. 4

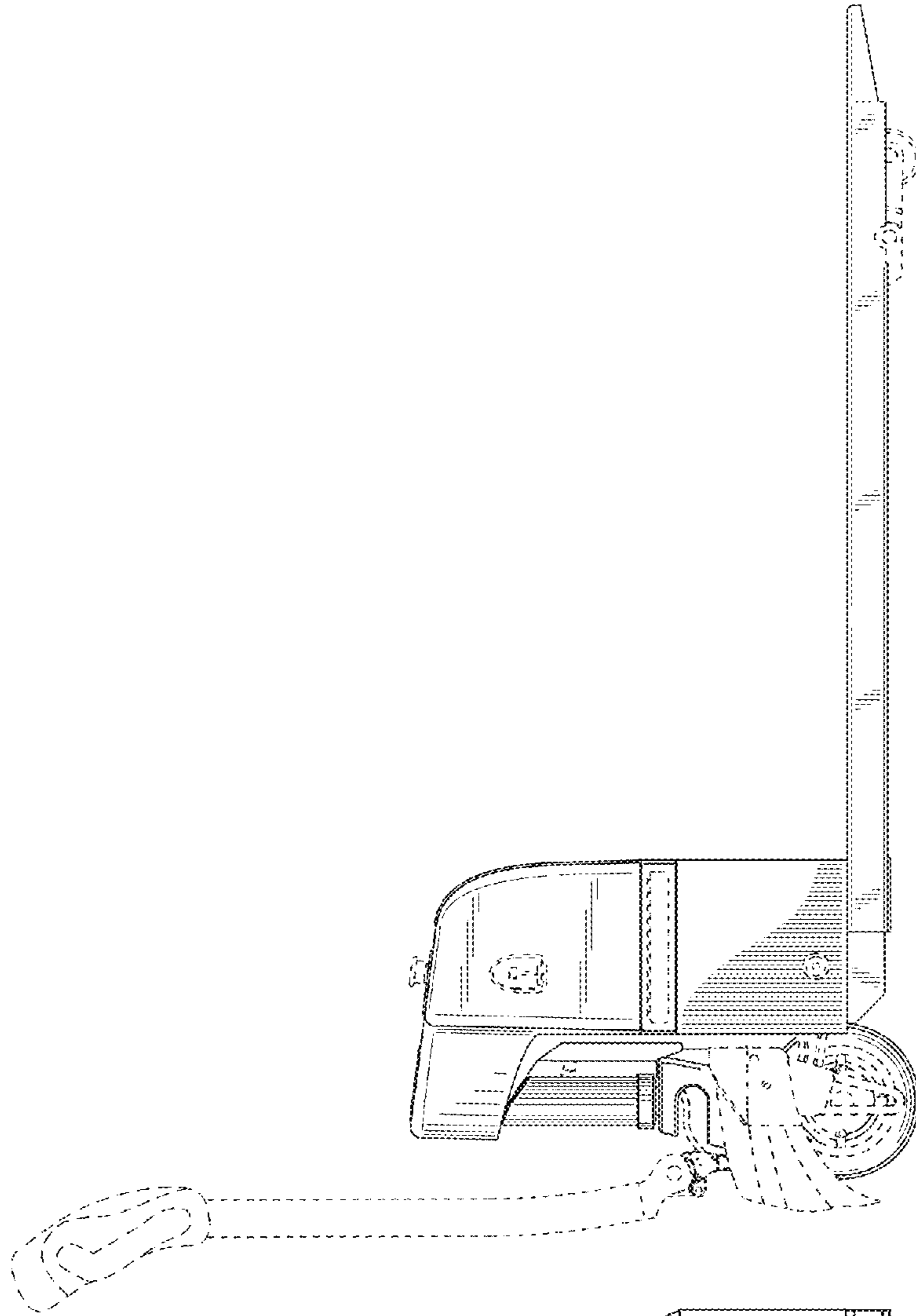


FIG. 3

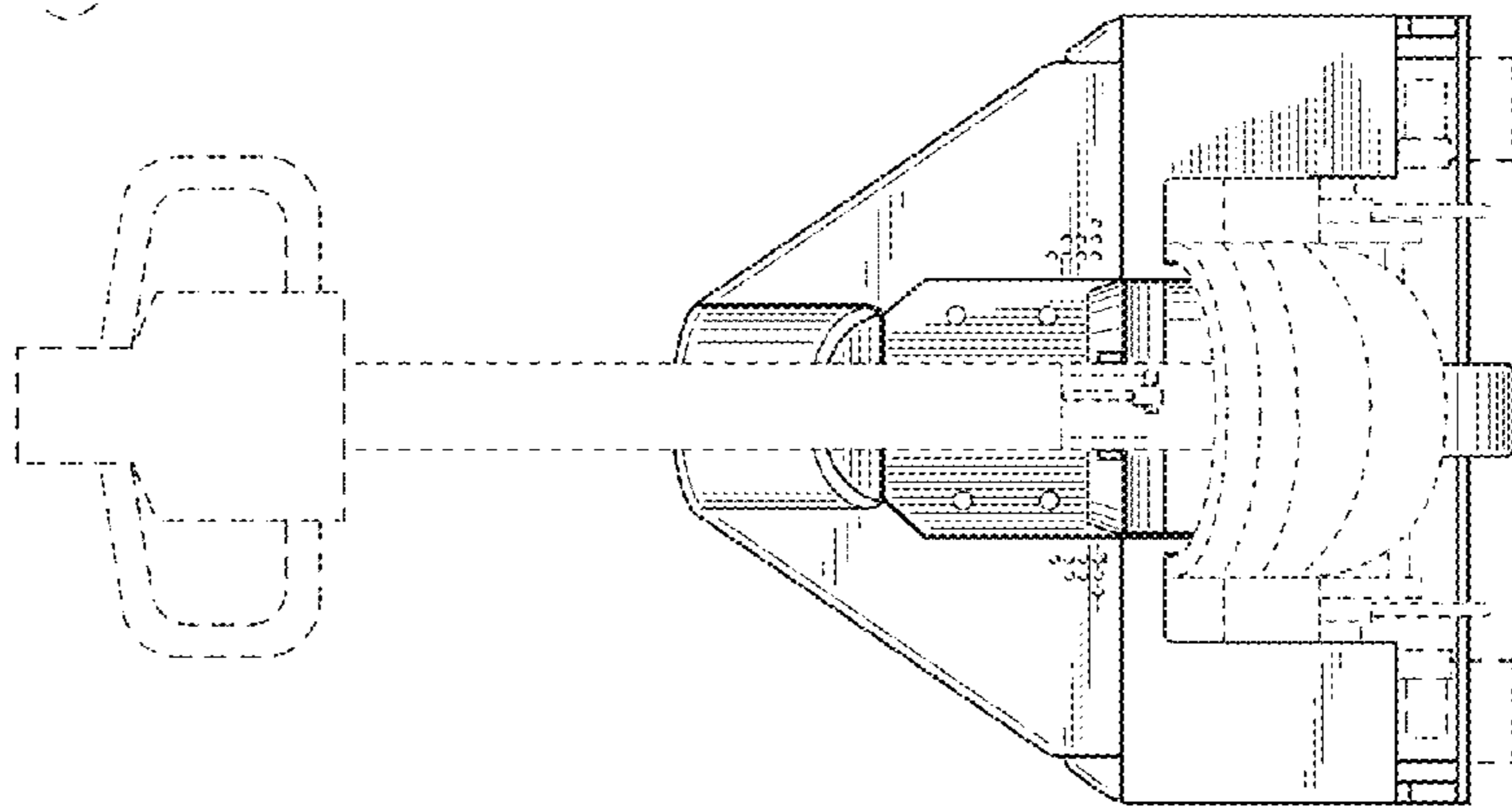


FIG. 6

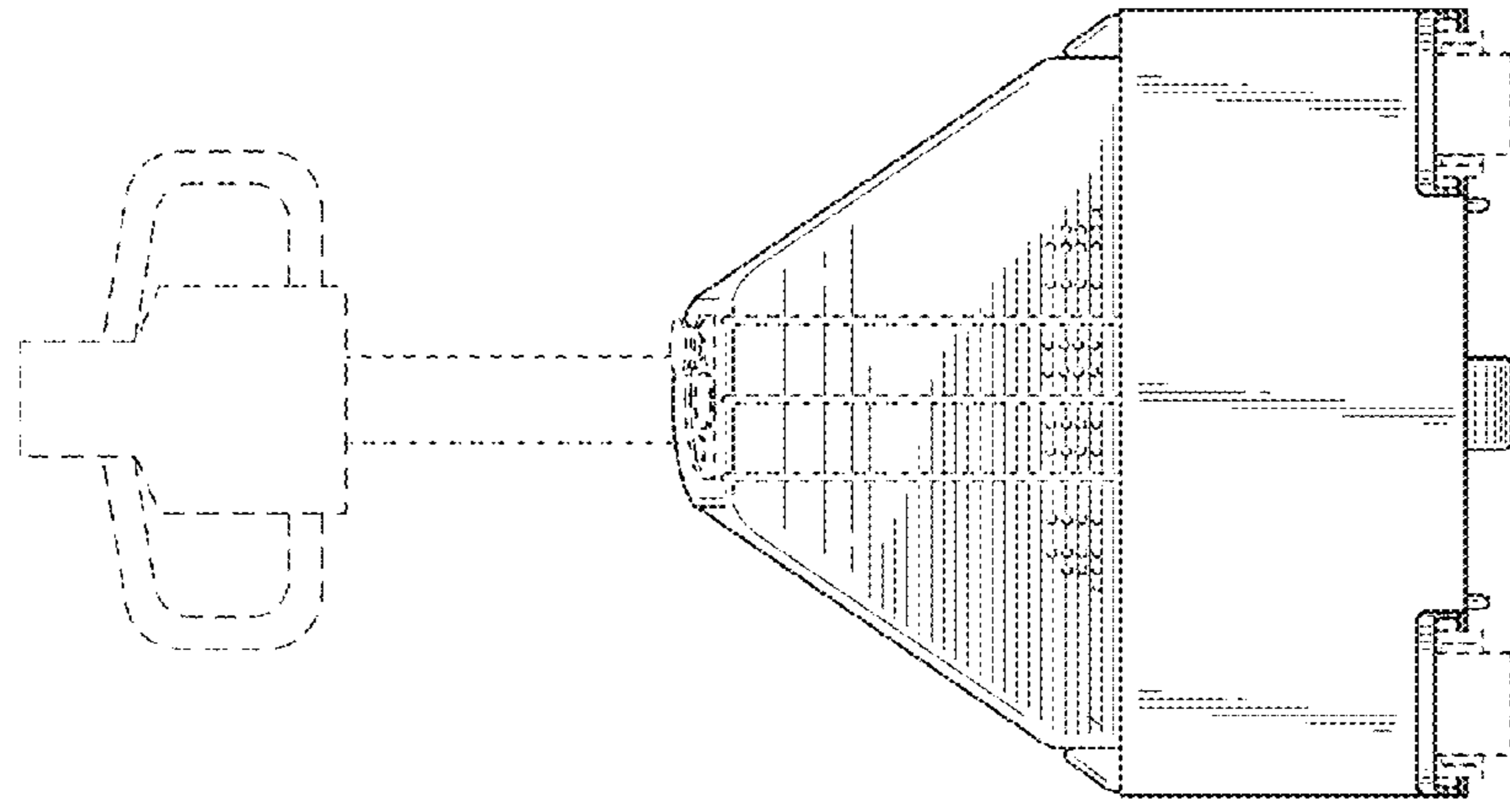
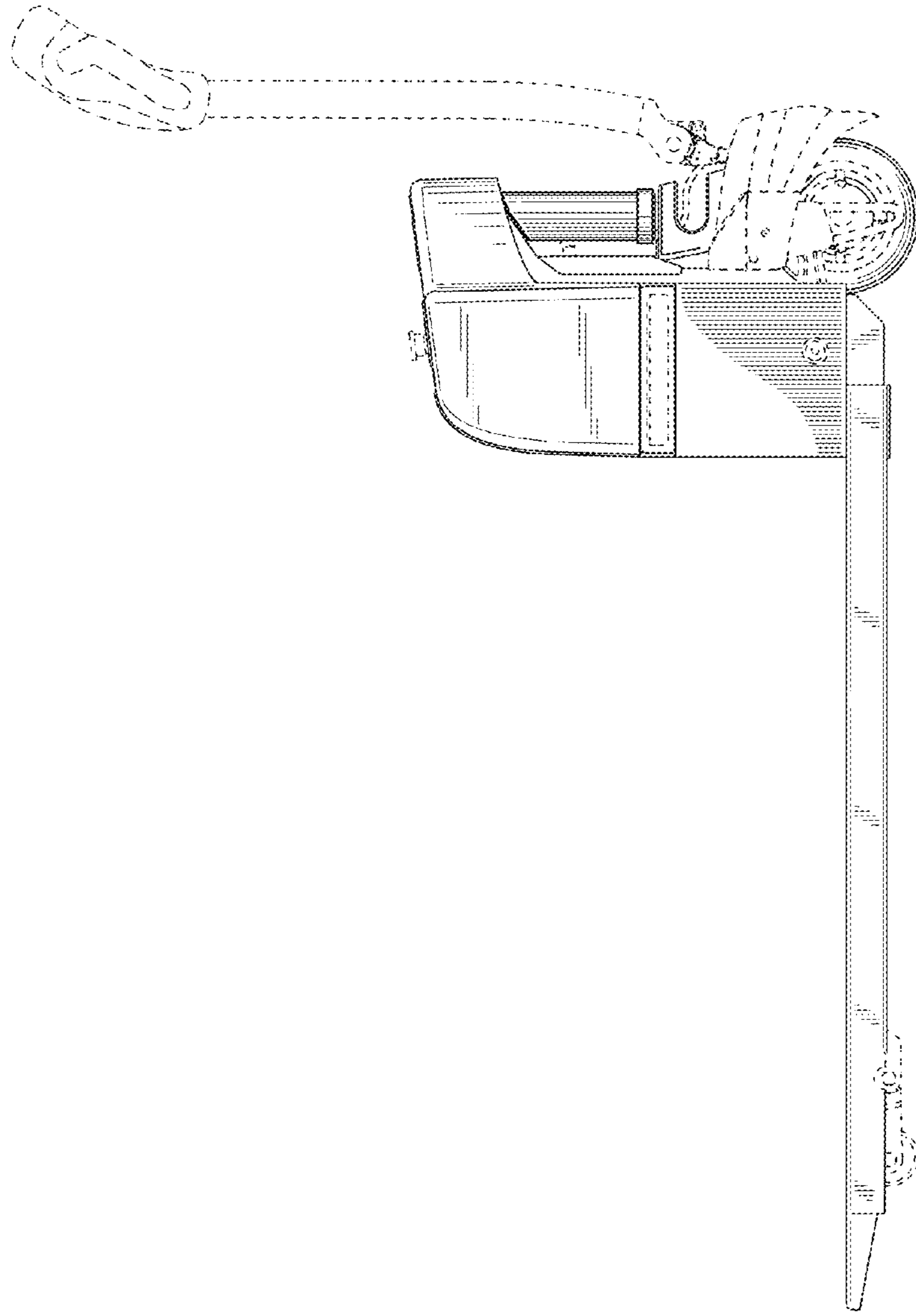


FIG. 5



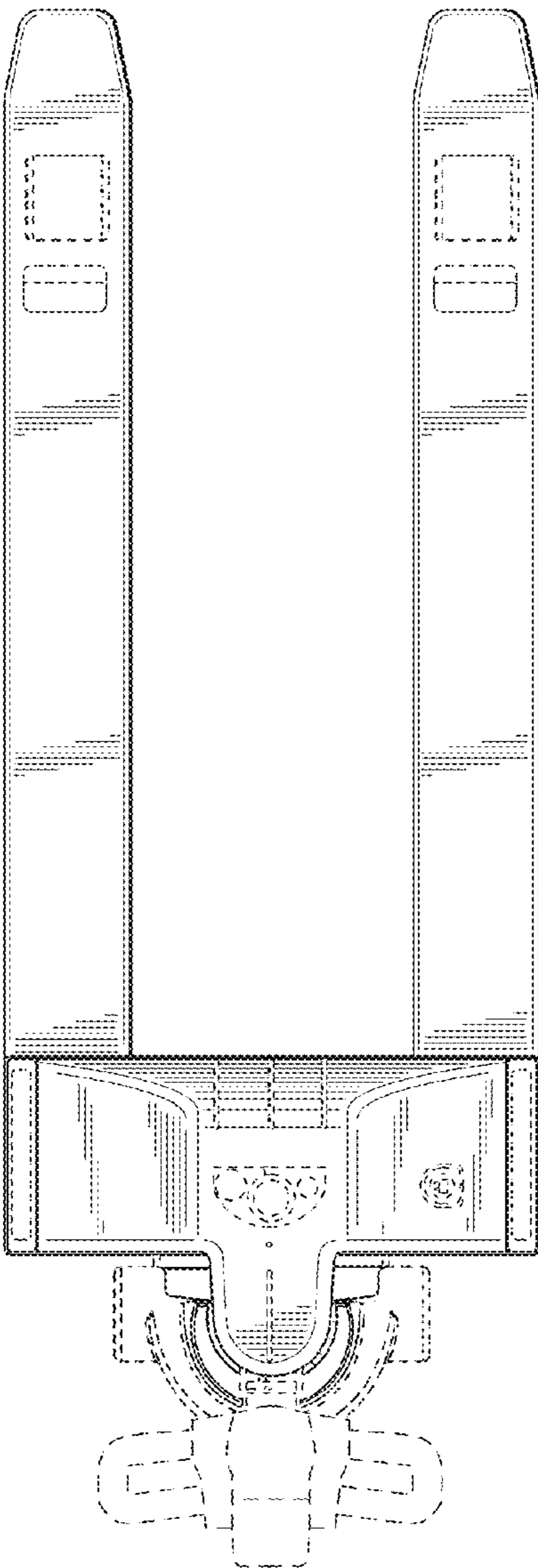


FIG. 7

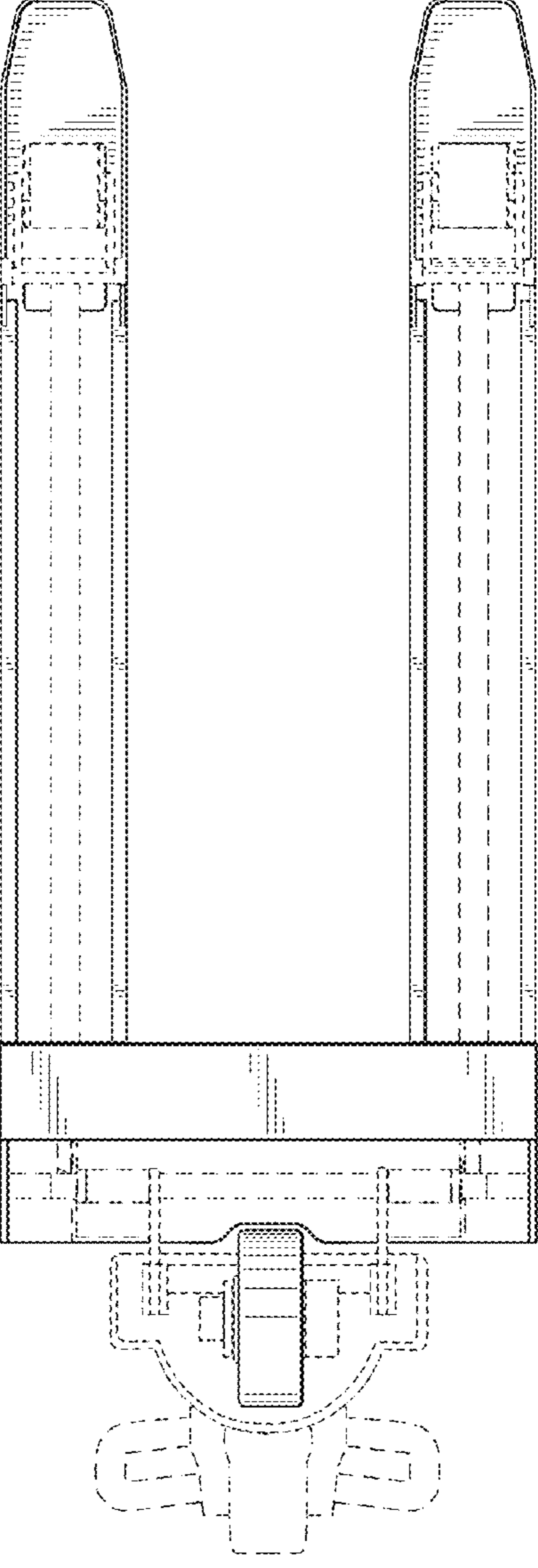


FIG. 8