



US00D692202S

(12) **United States Design Patent**  
**Feiquan et al.**

(10) **Patent No.:** **US D692,202 S**

(45) **Date of Patent:** **\*\* Oct. 22, 2013**

(54) **PALLET TRUCK**

(75) Inventors: **Meng Feiquan**, Hangzhou (CN); **Liu Yuanwei**, Hangzhou (CN); **Jinhui He**, Hangzhou (CN)

(73) Assignee: **Big Lift, LLC**, Lombard, IL (US)

(\*\*) Term: **14 Years**

(21) Appl. No.: **29/412,209**

(22) Filed: **Jan. 31, 2012**

(51) **LOC (9) Cl.** ..... **12-05**

(52) **U.S. Cl.**  
USPC ..... **D34/34**

(58) **Field of Classification Search**  
USPC ..... D34/34, 35; 180/89.12, 299, 325, 315,  
180/89.13, 89.17; 280/43.12, 222, 224;  
414/685, 679, 294, 572, 592, 631  
See application file for complete search history.

(56) **References Cited**

**U.S. PATENT DOCUMENTS**

|           |     |         |                |       |        |
|-----------|-----|---------|----------------|-------|--------|
| D136,279  | S * | 8/1943  | Holland et al. | ..... | D34/34 |
| 2,592,091 | A   | 4/1952  | Weaver         |       |        |
| 3,043,388 | A   | 7/1962  | Hansen         |       |        |
| 3,249,170 | A   | 5/1966  | Quayle         |       |        |
| 3,295,881 | A   | 1/1967  | Worthington    |       |        |
| 3,601,423 | A   | 8/1971  | Goodacre       |       |        |
| D222,670  | S * | 11/1971 | Goodacre       | ..... | D34/34 |
| 3,854,748 | A   | 12/1974 | Goodacre       |       |        |
| D239,165  | S * | 3/1976  | Mono           | ..... | D34/34 |
| 4,047,698 | A   | 9/1977  | Ellis          |       |        |
| 4,065,012 | A   | 12/1977 | Rocco          |       |        |
| 4,096,961 | A   | 6/1978  | Rocco          |       |        |
| 4,103,795 | A   | 8/1978  | Miller         |       |        |
| 4,287,959 | A   | 9/1981  | Inman          |       |        |
| 4,577,463 | A   | 3/1986  | Kedem          |       |        |
| 4,615,533 | A   | 10/1986 | Sewell         |       |        |
| 5,113,960 | A   | 5/1992  | Prinz          |       |        |
| D343,935  | S * | 2/1994  | Drobeck et al. | ..... | D34/35 |

|           |     |         |                  |       |        |
|-----------|-----|---------|------------------|-------|--------|
| 5,618,154 | A   | 4/1997  | Irons et al.     |       |        |
| 5,752,584 | A   | 5/1998  | Magoto et al.    |       |        |
| D408,958  | S * | 4/1999  | Schneider        | ..... | D34/28 |
| 6,125,971 | A   | 10/2000 | Niebuhr et al.   |       |        |
| 6,260,646 | B1  | 7/2001  | Fernandez et al. |       |        |
| D447,612  | S   | 9/2001  | Niebuhr          |       |        |
| D464,785  | S * | 10/2002 | Gallagher        | ..... | D34/35 |
| 7,040,427 | B2  | 5/2006  | Toomey           |       |        |
| D530,878  | S   | 10/2006 | Ruppert et al.   |       |        |
| D542,004  | S * | 5/2007  | Righi            | ..... | D34/34 |
| D559,498  | S * | 1/2008  | Ruppert et al.   | ..... | D34/34 |
| D562,525  | S * | 2/2008  | Graf et al.      | ..... | D34/34 |
| D565,270  | S * | 3/2008  | Ruppert et al.   | ..... | D34/34 |

(Continued)

**OTHER PUBLICATIONS**

Brochure for "PDS Power Drive Straddle Trucks" issued by Blue Giant®, Sep. 1, 2010 (2 pages).

(Continued)

*Primary Examiner* — Cynthia Ramirez  
(74) *Attorney, Agent, or Firm* — Cook Alex Ltd.

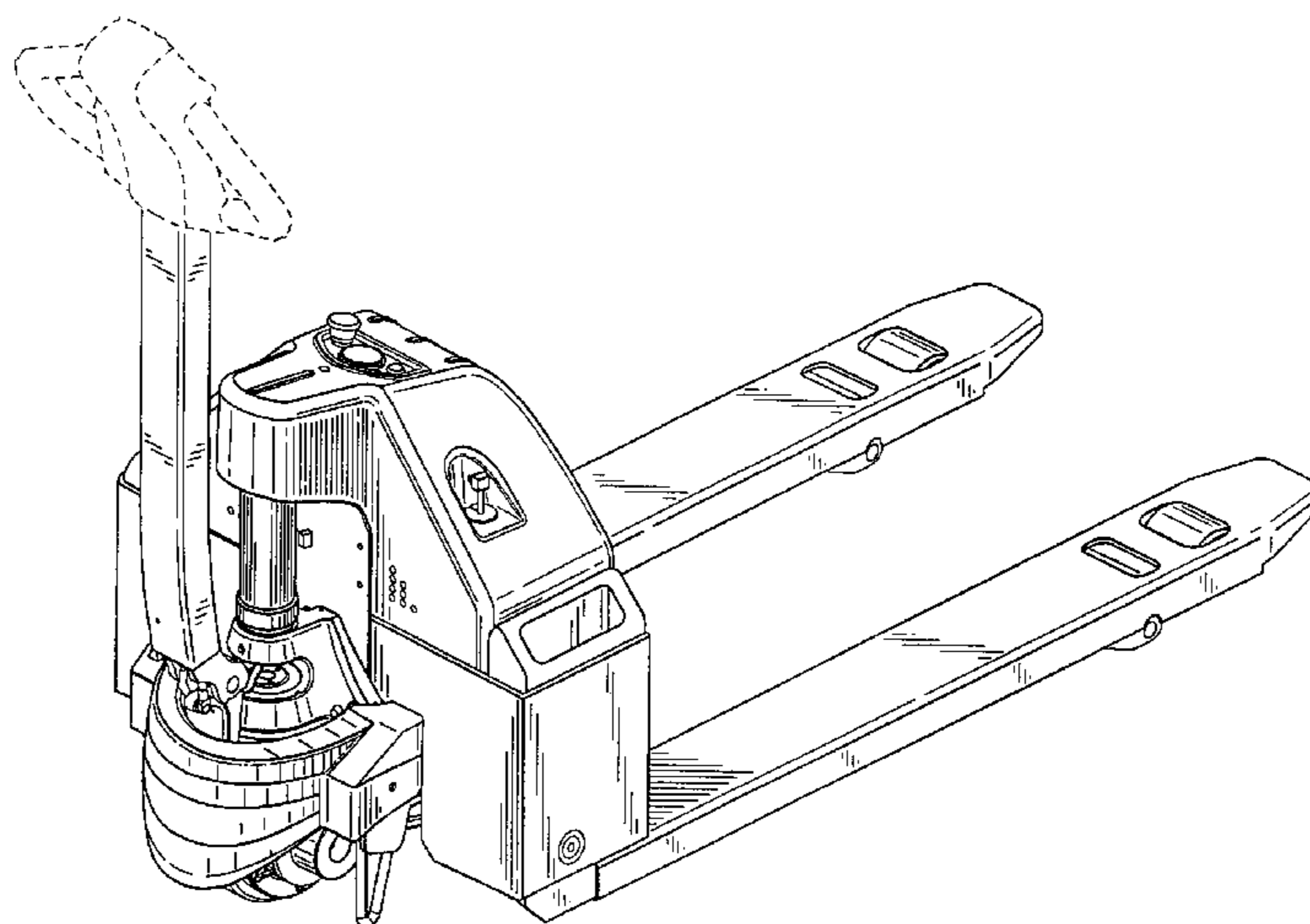
(57) **CLAIM**

We claim the ornamental design for a pallet truck, as shown and described.

**DESCRIPTION**

FIG. 1 is a rear perspective view of a pallet truck according to our new design;  
FIG. 2 is a front perspective view thereof;  
FIG. 3 is a rear elevational view thereof;  
FIG. 4 is a right side elevational view thereof;  
FIG. 5 is a left side elevational view thereof;  
FIG. 6 is a front elevational view thereof;  
FIG. 7 is a top plan view thereof; and,  
FIG. 8 is a bottom plan view thereof.  
The broken lines are for illustrative purposes only and form no part of the claimed design.

**1 Claim, 5 Drawing Sheets**



(56)

**References Cited**

U.S. PATENT DOCUMENTS

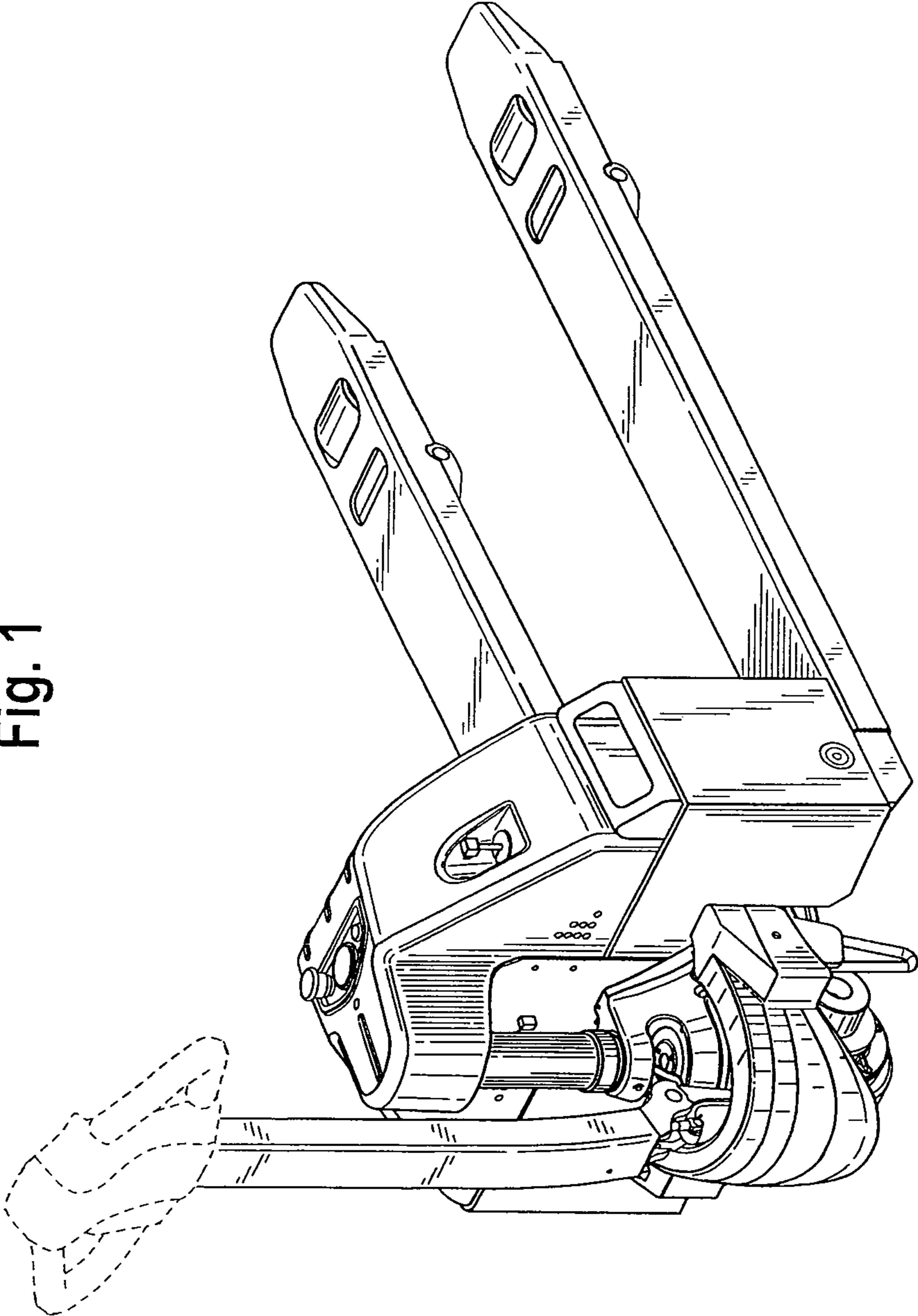
|              |     |         |                    |        |
|--------------|-----|---------|--------------------|--------|
| D583,124     | S   | 12/2008 | Stark              |        |
| 7,744,335    | B1  | 6/2010  | Cleary             |        |
| D655,064     | S * | 2/2012  | Knie .....         | D34/34 |
| 8,230,976    | B2  | 7/2012  | Baldini            |        |
| 8,246,008    | B2  | 8/2012  | De Jong et al.     |        |
| D674,982     | S * | 1/2013  | Babel et al. ....  | D34/35 |
| 8,360,443    | B2  | 1/2013  | Ellington          |        |
| 2005/0036880 | A1  | 2/2005  | Magoto et al.      |        |
| 2006/0181039 | A1  | 8/2006  | Fridlington et al. |        |
| 2009/0260923 | A1  | 10/2009 | Baldini            |        |

OTHER PUBLICATIONS

Website for Shanghai Noblift Co. Ltd. Guangzhou Subsidiary  
“Semi-electric Pallet Truck Spt” <http://gdnobliften.en.busytrade.com/products/info/1904267/Semi-electric-Pallet-Truck-Spt.html>,  
accessed Jan. 13, 2012, (4 pages).  
Website for Starts for “Electric Vehicle—Electric Pallet Truck,”  
<http://www.starstw.com/news/stars-electric-pallet-truck.html>,  
accessed Jan. 13, 2012 (1 page).  
Website for Cherry’s industrial Equipment for “SPT15-Semi Electric  
Pallet Truck” <http://www.pallettruck.com/spt15.html>, accessed Jan.  
17, 2012 (1 page).

\* cited by examiner

Fig. 1



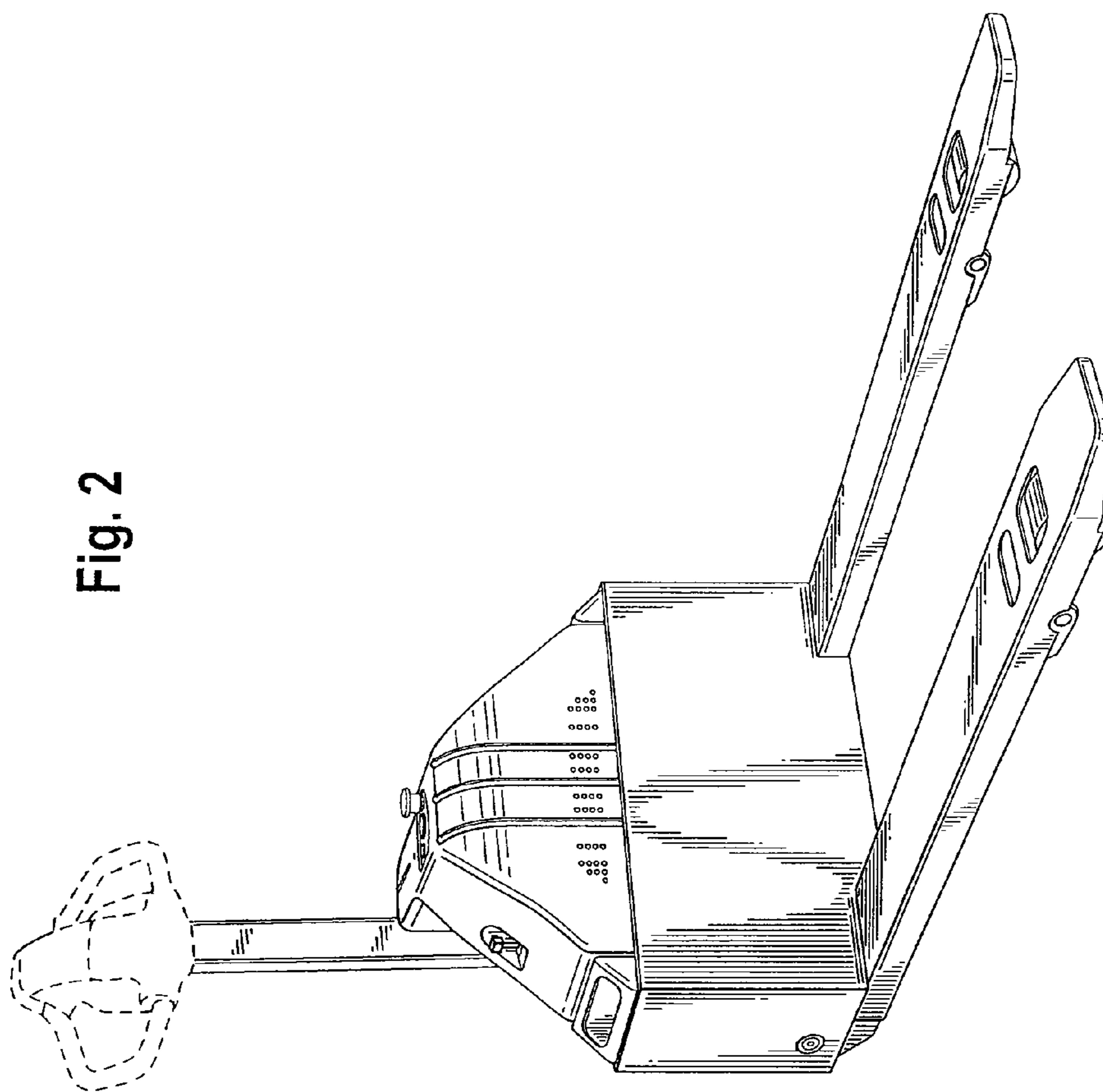


Fig. 2

Fig. 4

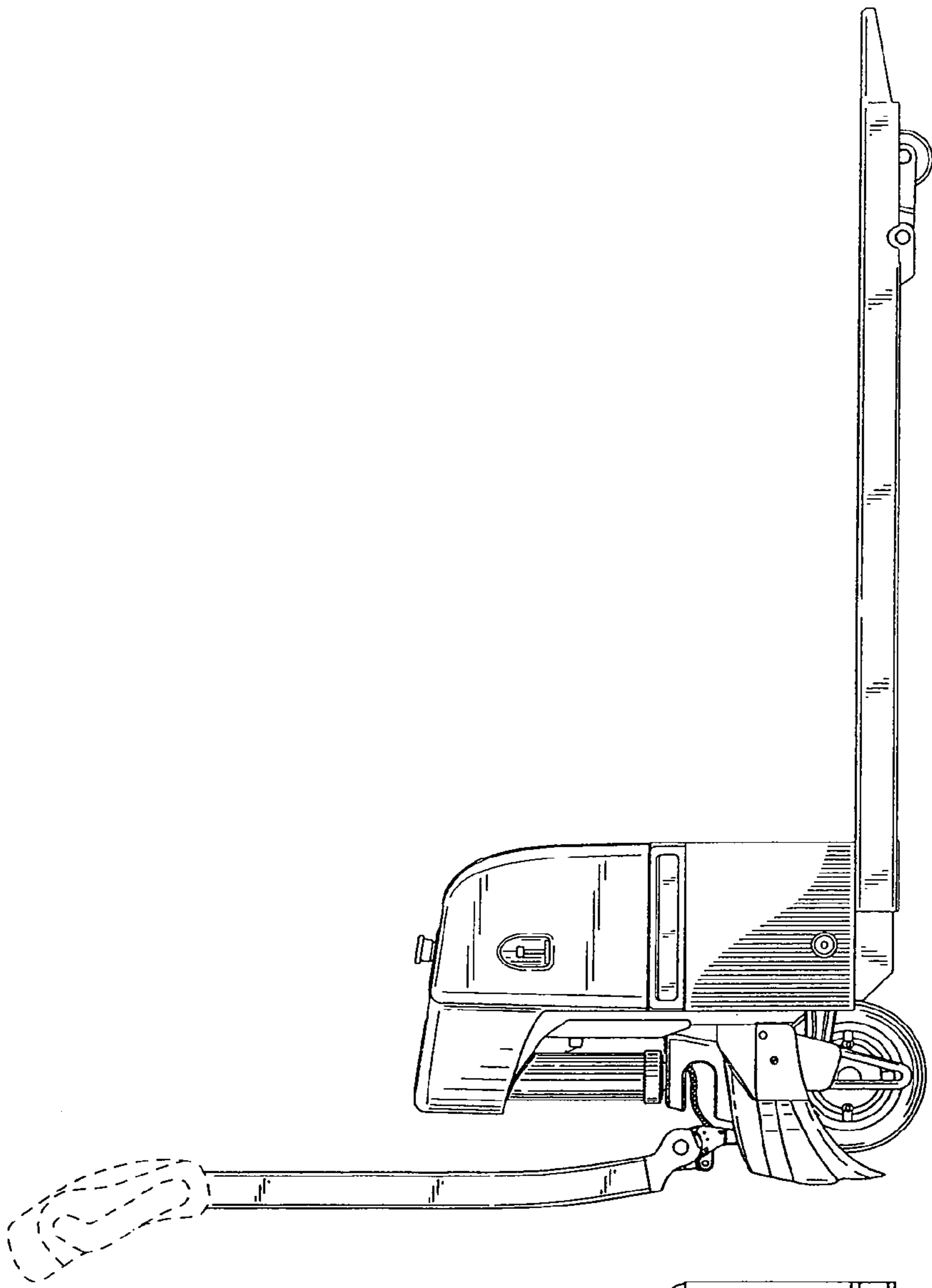


Fig. 3

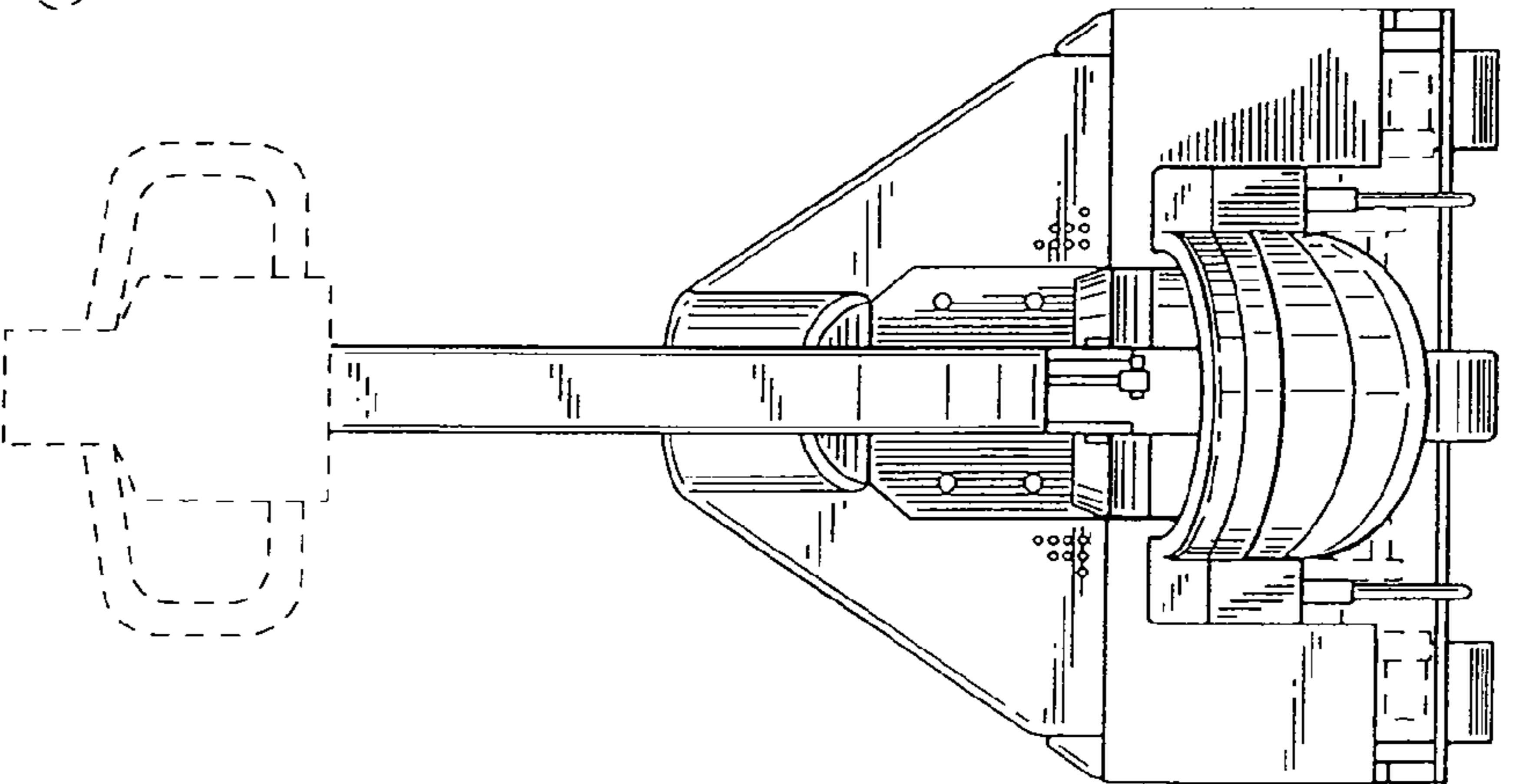


Fig. 6

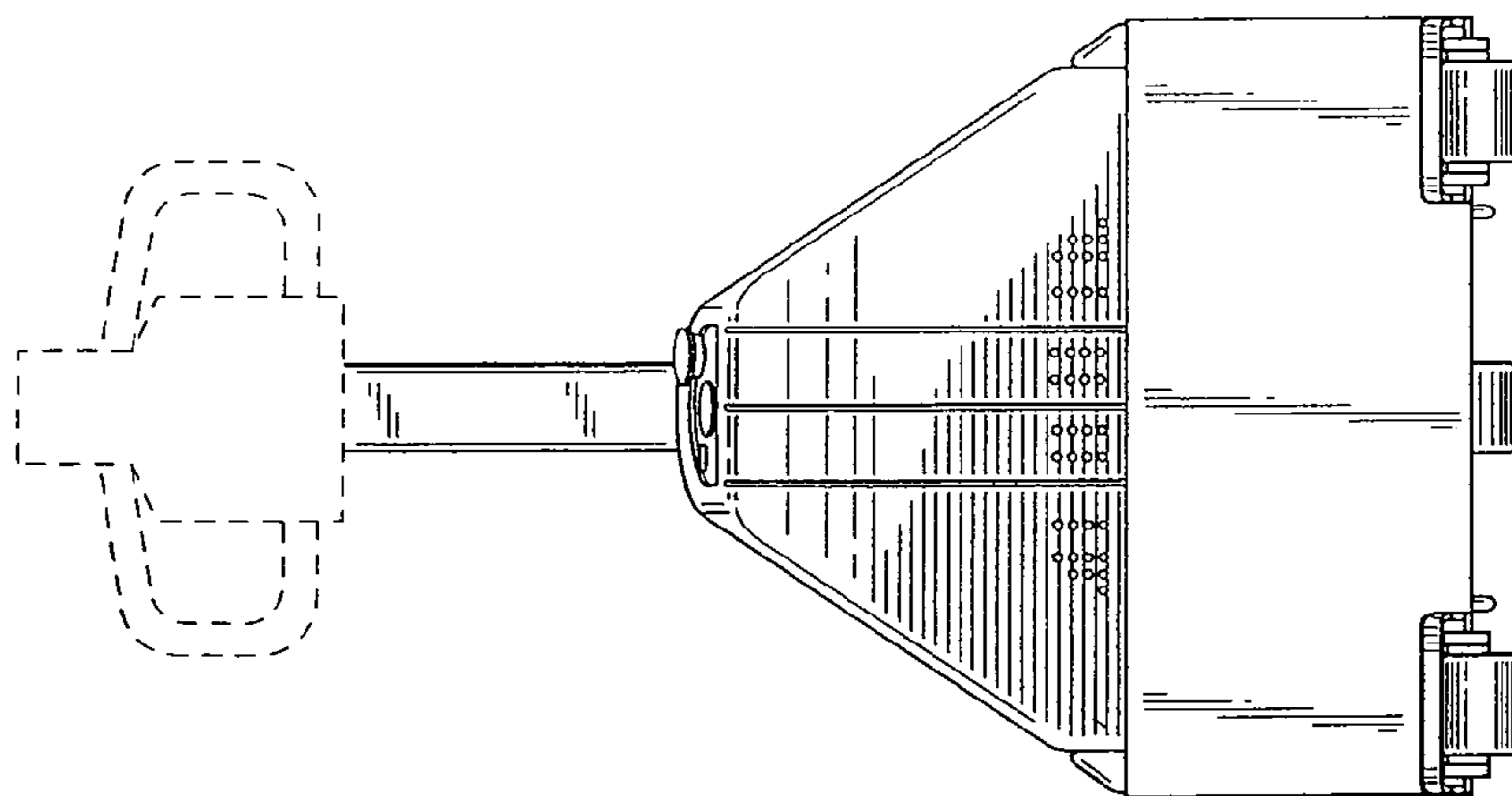
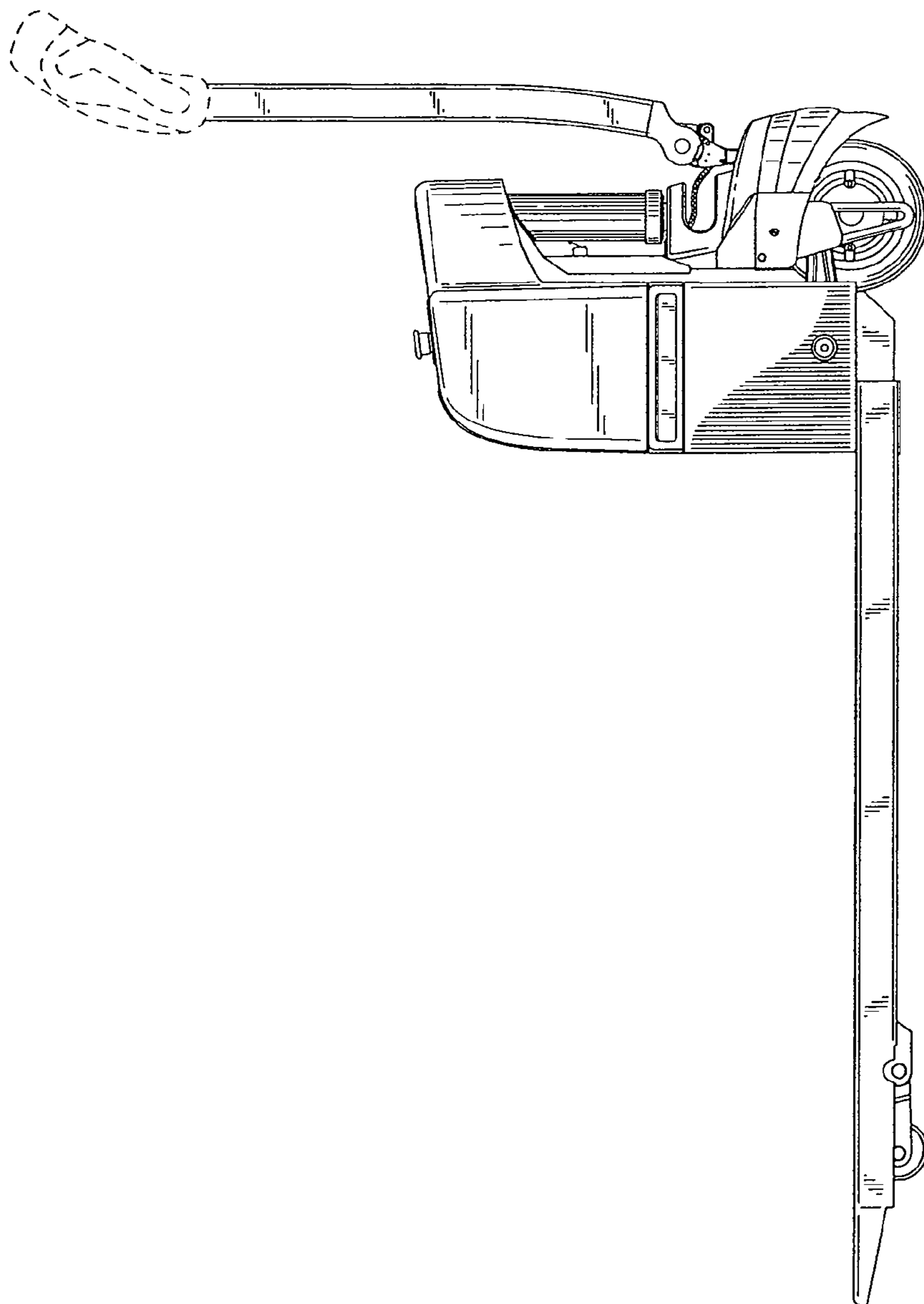


Fig. 5



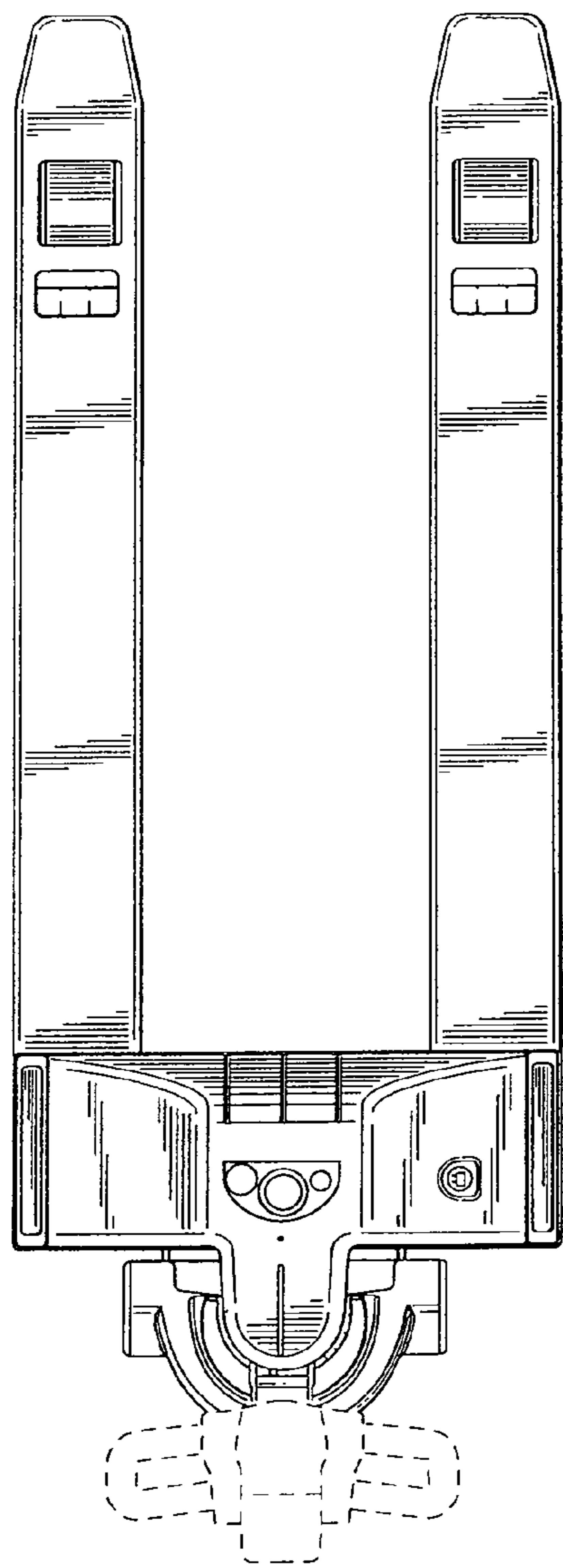


Fig. 7

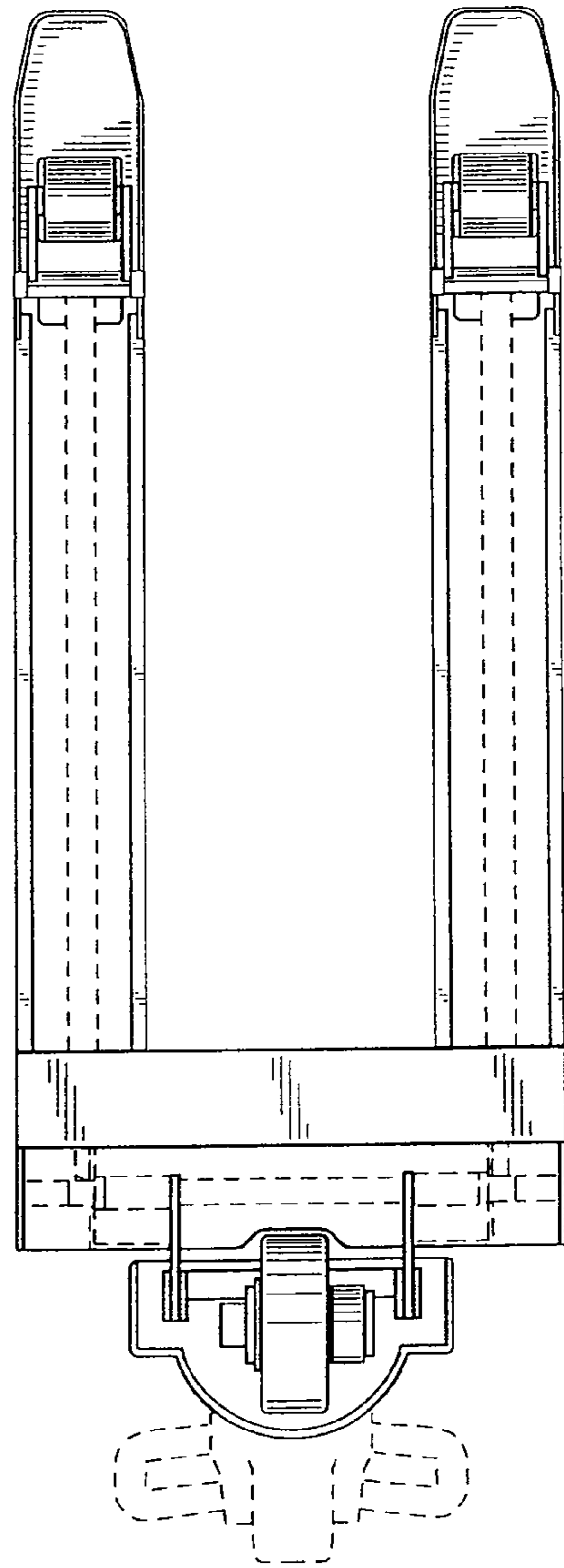


Fig. 8