

US00D692201S

(12) **United States Design Patent**
Walter

(10) **Patent No.:** **US D692,201 S**
(45) **Date of Patent:** **** Oct. 22, 2013**

(54) **COMBINED CHILD SEAT AND RETENTION FLAP FOR USE WITH A SHOPPING CART**

(75) Inventor: **Ivor Michel Walter**, Boulder, CO (US)

(73) Assignee: **AMSA, Inc.**, Boulder, CO (US)

(**) Term: **14 Years**

(21) Appl. No.: **29/419,452**

(22) Filed: **Apr. 27, 2012**

(51) **LOC (9) Cl.** **12-02**

(52) **U.S. Cl.**

USPC **D34/27**

(58) **Field of Classification Search**

USPC D34/12-27; 280/33.991, 33.992, 47.34,
280/79.11, 79.2, 33.997, 33.998, 33.996,
280/33.995, 47.35, 651, 659, 79.3;
297/256.17, 473; 40/308, 395

See application file for complete search history.

(56) **References Cited**

U.S. PATENT DOCUMENTS

D102,991 S	2/1937	Nelson
D178,445 S	7/1956	Young
2,964,326 A	12/1960	Schray
3,645,554 A	2/1972	Von Stein et al.
D246,301 S	11/1977	Trubiano
4,065,142 A	12/1977	Rehrig
4,125,270 A	11/1978	Trubiano
4,176,849 A	12/1979	Rehrig
D259,779 S	7/1981	Bond
4,356,651 A	11/1982	Barlow
D280,858 S	10/1985	Muellner et al.
4,560,180 A	12/1985	Ulmer
4,632,411 A	12/1986	Badger
4,643,280 A	2/1987	Hensley
D288,619 S	3/1987	Trubiano

(Continued)

OTHER PUBLICATIONS

Plasti-Cart Max200 Brochure from website [http://www.plasti-cart.com/page.asp?SectionID=2&PageID=72] showing prior art cart manufactured by Plasti-Cart.

(Continued)

Primary Examiner — Cynthia Ramirez

(74) *Attorney, Agent, or Firm* — Margaret Polson; Oppedahl Patent Law Firm LLC

(57) **CLAIM**

The ornamental design for a combined child seat and retention flap for use with a shopping cart, as shown and described.

DESCRIPTION

FIG. 1 is a front perspective view of my new design for a combined child seat and retention flap for use with a shopping cart.

FIG. 2 is a bottom perspective view of FIG. 1.

FIG. 3 is a side elevation view of the right and left sides, which are mirror images, of FIG. 1 thereof.

FIG. 4 is a front side elevation view of FIG. 1.

FIG. 5 is a back side elevation view of FIG. 1.

FIG. 6 is a top plan view of FIG. 1.

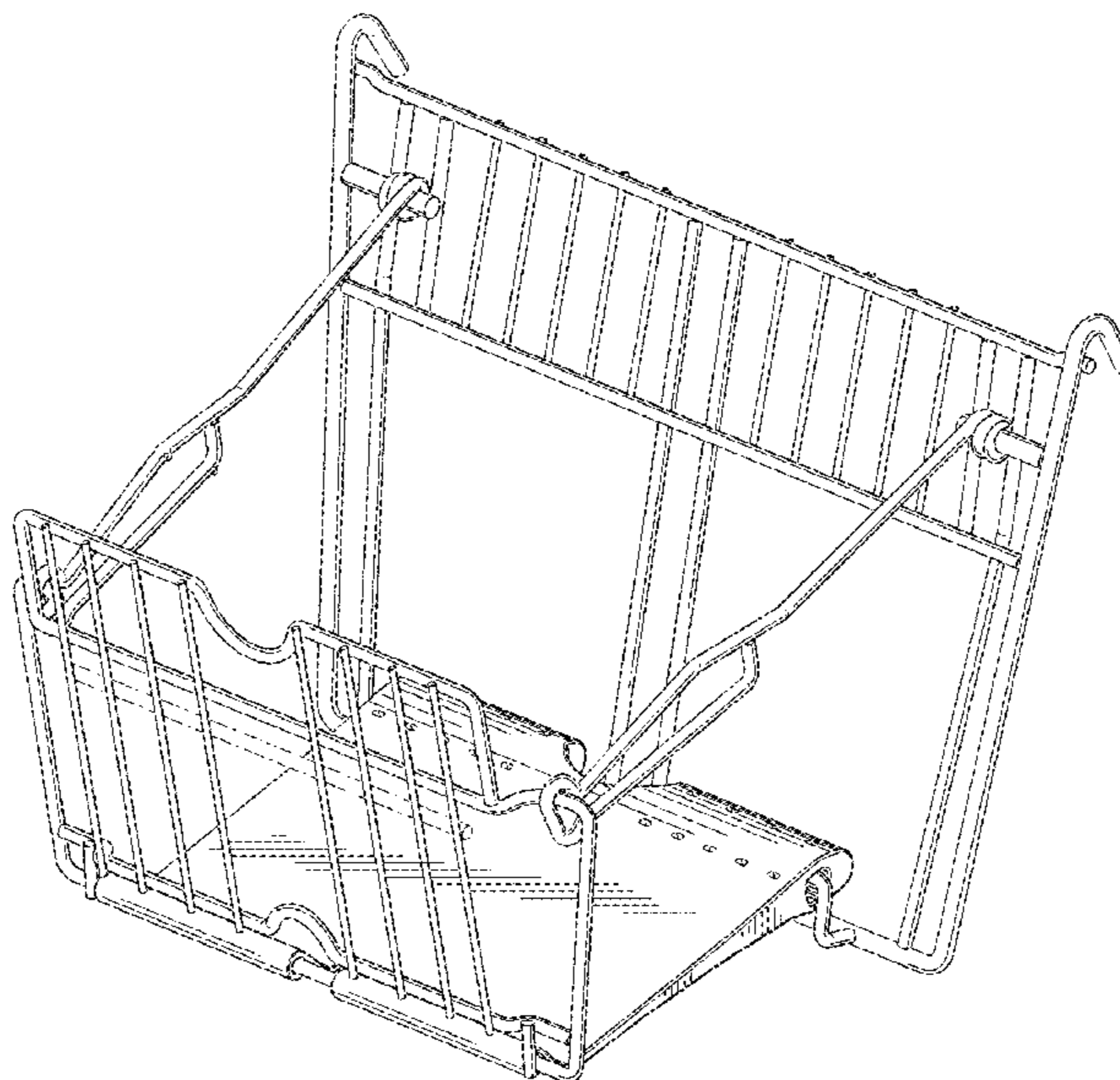
FIG. 7 is a bottom plan view of FIG. 1.

FIG. 8 is a side elevation view of the left and right sides, which are mirror images, of the child seat in the folded position it is in when the carts are nested together; and,

FIG. 9 is a front perspective view of my new design for a combined child seat and retention flap for use with a shopping cart with the retention flap in the down position with a shopping cart shown in dotted lines which is environmental material and does not form part of the claimed design.

The broken lines in the figures are included for the purpose of illustrating elements of the combined child seat and retention flap for use with a shopping cart and form no part of the claimed design.

1 Claim, 5 Drawing Sheets



(56)

References Cited

U.S. PATENT DOCUMENTS

4,742,943 A 5/1988 Trubiano
 4,949,997 A 8/1990 Champagne
 D314,269 S 1/1991 Trubiano
 D321,577 S 11/1991 Ellis et al.
 5,211,410 A 5/1993 Trubiano
 D338,149 S 8/1993 Adams
 5,265,893 A 11/1993 Ettlin
 D348,549 S 7/1994 Trubiano
 5,348,323 A 9/1994 Trubiano
 5,368,318 A 11/1994 Rehrig et al.
 5,385,357 A 1/1995 Trubiano
 5,401,042 A 3/1995 Ruger
 5,435,582 A 7/1995 Davidson
 D363,589 S 10/1995 Lafleur et al.
 5,505,472 A 4/1996 Trubiano
 5,507,507 A 4/1996 Davidson
 5,553,877 A 9/1996 Huang
 D377,255 S 1/1997 Rehrig
 5,595,394 A 1/1997 Adamson
 D379,834 S 6/1997 Huang
 5,702,114 A 12/1997 Downing et al.
 D411,904 S 7/1999 Risholm et al.
 5,961,133 A 10/1999 Perry
 D443,968 S 6/2001 Porter
 D445,230 S 7/2001 Deal et al.
 D445,231 S 7/2001 Porter
 D453,077 S 1/2002 Chen
 D463,647 S 9/2002 Deal et al.
 D470,292 S 2/2003 Johnson et al.
 6,533,297 B2 3/2003 Saccani
 6,644,674 B2 11/2003 Simard
 6,676,139 B1 1/2004 Saccani
 D492,829 S 7/2004 Babkes et al.
 D493,594 S 7/2004 Prather et al.
 6,832,768 B2 12/2004 Duchene et al.
 6,981,708 B1 1/2006 Tucker et al.
 D523,207 S 6/2006 Tucker et al.

7,104,552 B2 9/2006 Swanson et al.
 7,237,782 B2 7/2007 Tucker et al.
 D550,423 S 9/2007 Splain et al.
 D583,523 S 12/2008 Deal et al.
 D584,024 S 12/2008 Stark
 D588,774 S 3/2009 Peota et al.
 7,673,886 B2 3/2010 Ondrasik
 D639,521 S 6/2011 Walter
 D646,041 S 9/2011 Berthiaume et al.
 D648,914 S 11/2011 Walter
 D648,915 S 11/2011 Walter
 D658,841 S * 5/2012 Walter D34/27
 D660,542 S * 5/2012 Walter D34/27
 D680,704 S * 4/2013 Walter D34/27
 2001/0022436 A1 9/2001 Simard
 2003/0151219 A1 8/2003 Simard
 2004/0051263 A1 3/2004 Prather et al.
 2006/0273536 A1 12/2006 Ondrasik
 2008/0265534 A1 10/2008 Ondrasik
 2009/0261545 A1 10/2009 Jones
 2010/0078902 A1 4/2010 Lee et al.

OTHER PUBLICATIONS

Technibilt 5640 Scan of website [<http://www.technibilt.com/carts/detail.php?id=28>] showing prior art cart manufactured by Techibilt.
 Wanzl EL Series Brochure from website [http://www.wanzl.com/000/En/Home/Products/Self-Service_systems/Shopping_Trolleys/Shopping_Trolley_Series/EL_Series.html] showing prior art carts manufactured by Wanzl.
 U.S. Appl. No. 29/410,149, filed Jan. 4, 2012; Inventor: Ivor Michel Walter.
 U.S. Appl. No. 29/417,407, filed Apr. 3, 2012; Inventor: Ivor Michel Walter.
 U.S. Appl. No. 13/458,438, filed Apr. 27, 2012; Inventor: Ivor Michel Walter.

* cited by examiner



FIG.1

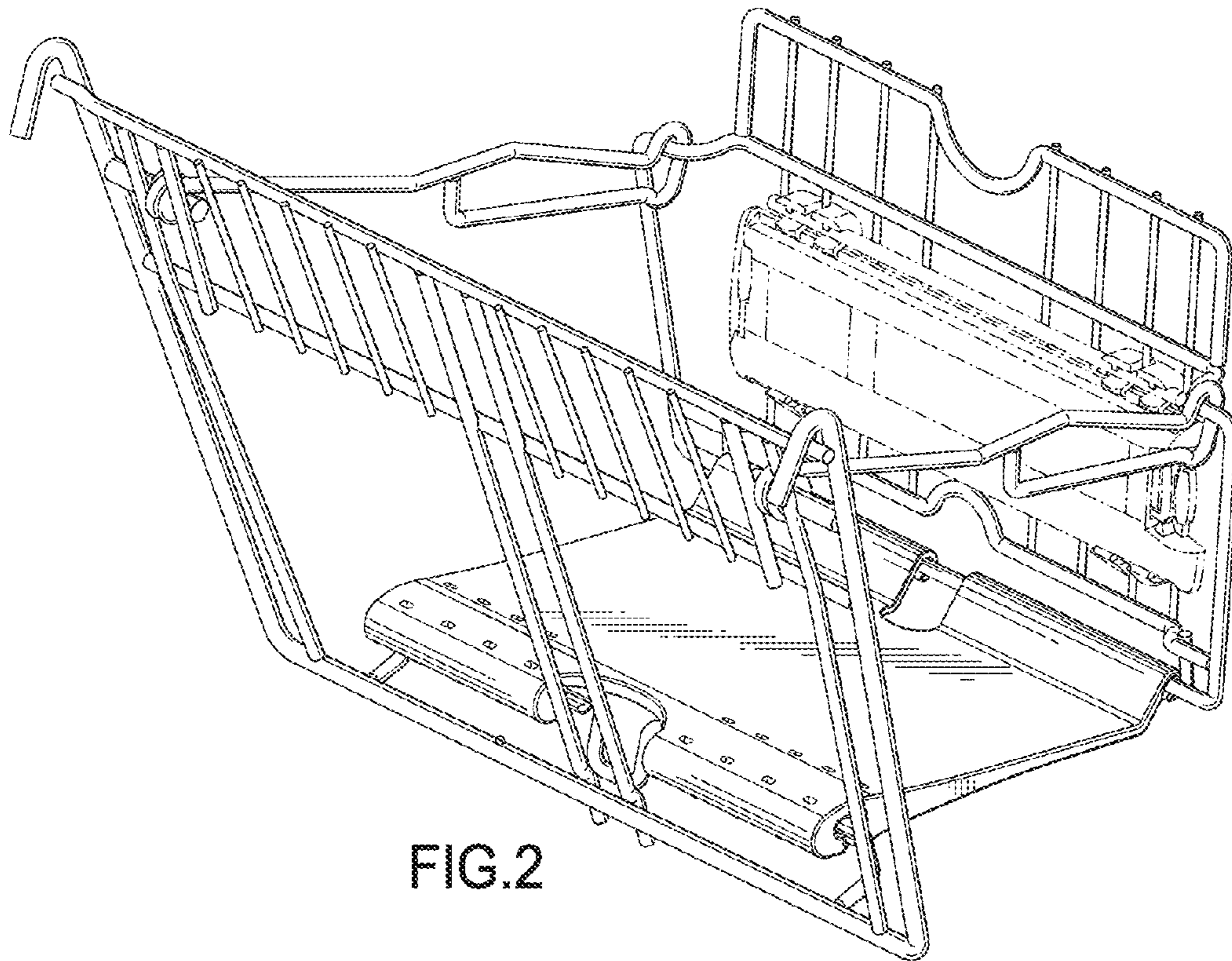


FIG. 2

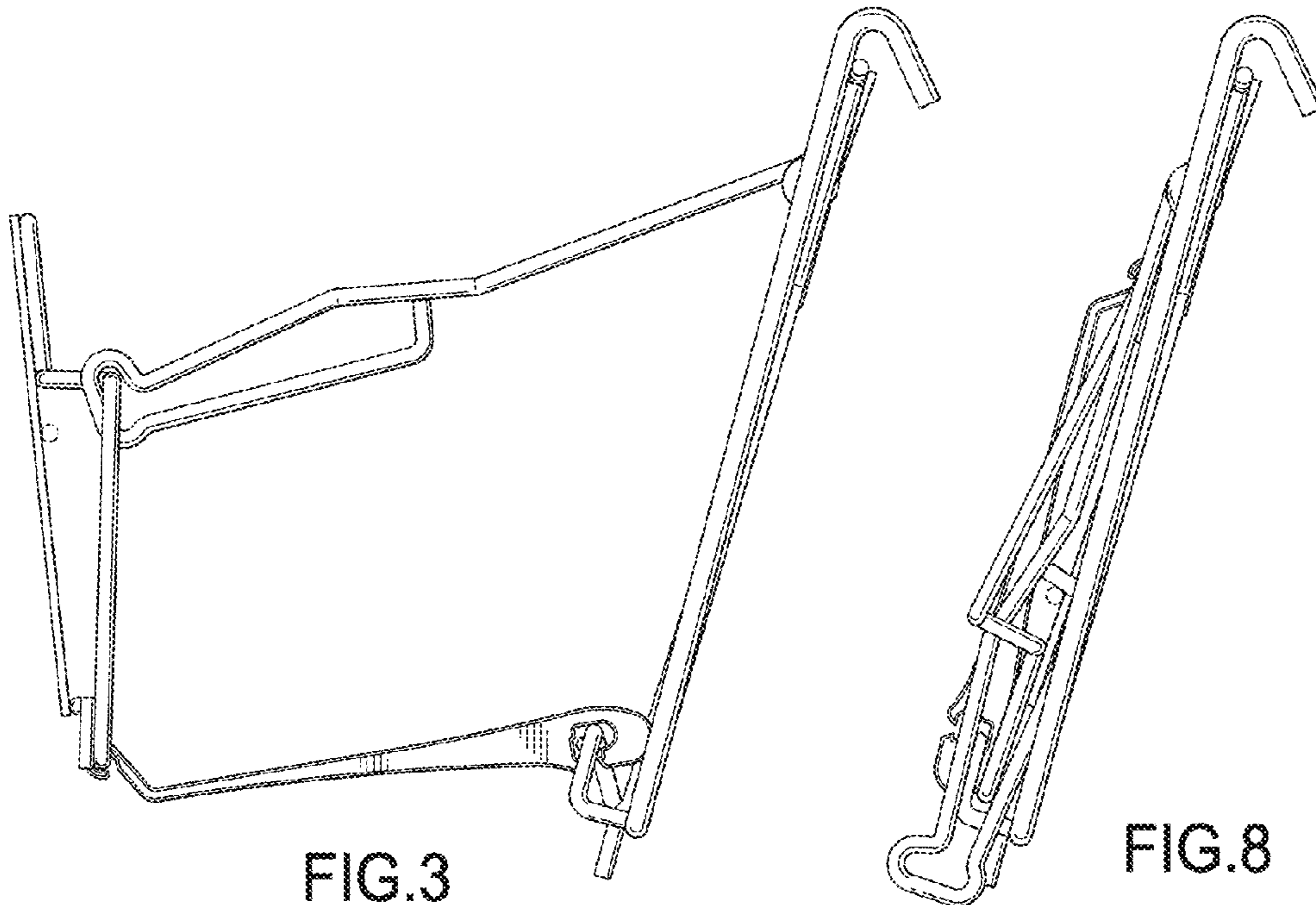


FIG. 3

FIG. 8

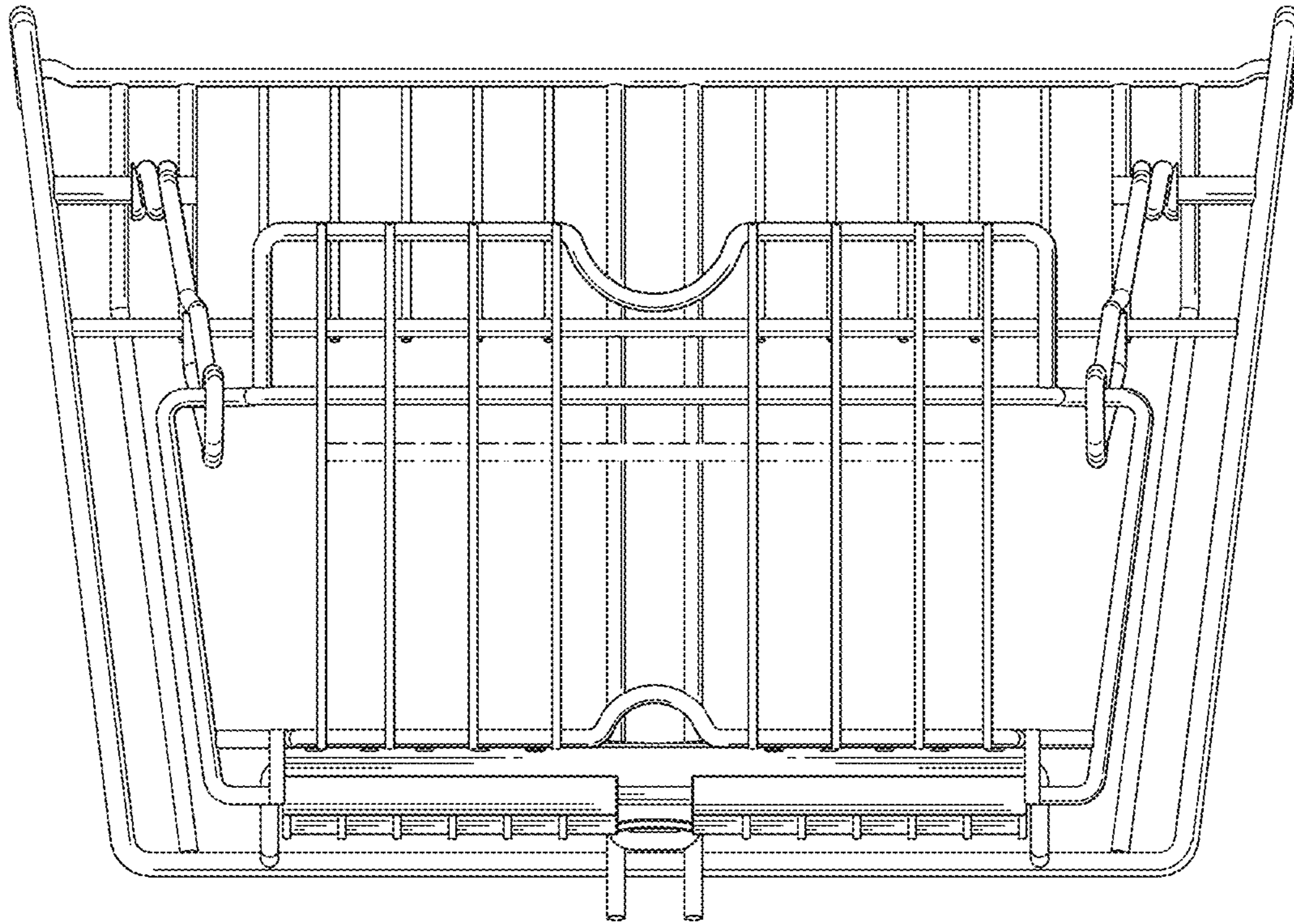


FIG. 4

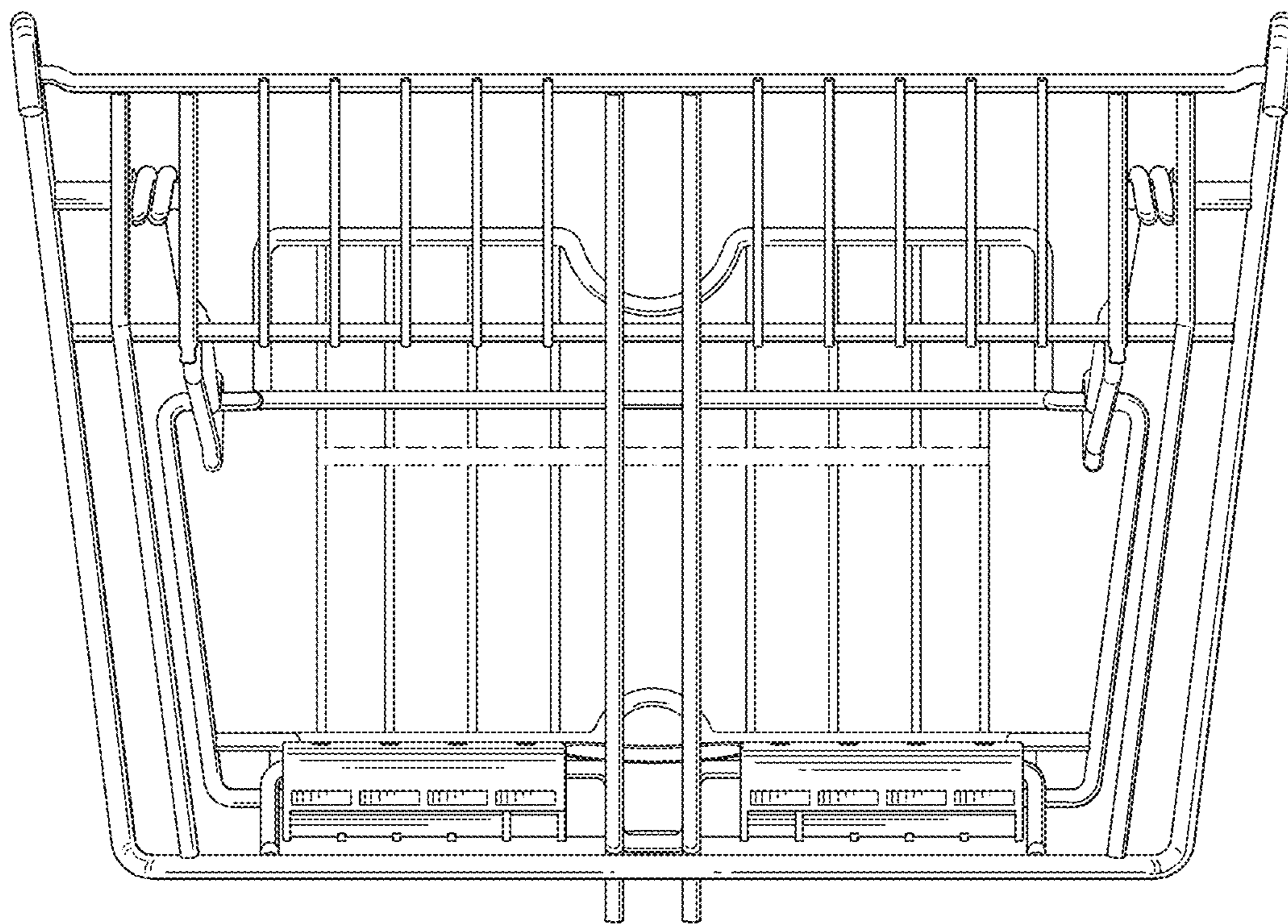


FIG. 5

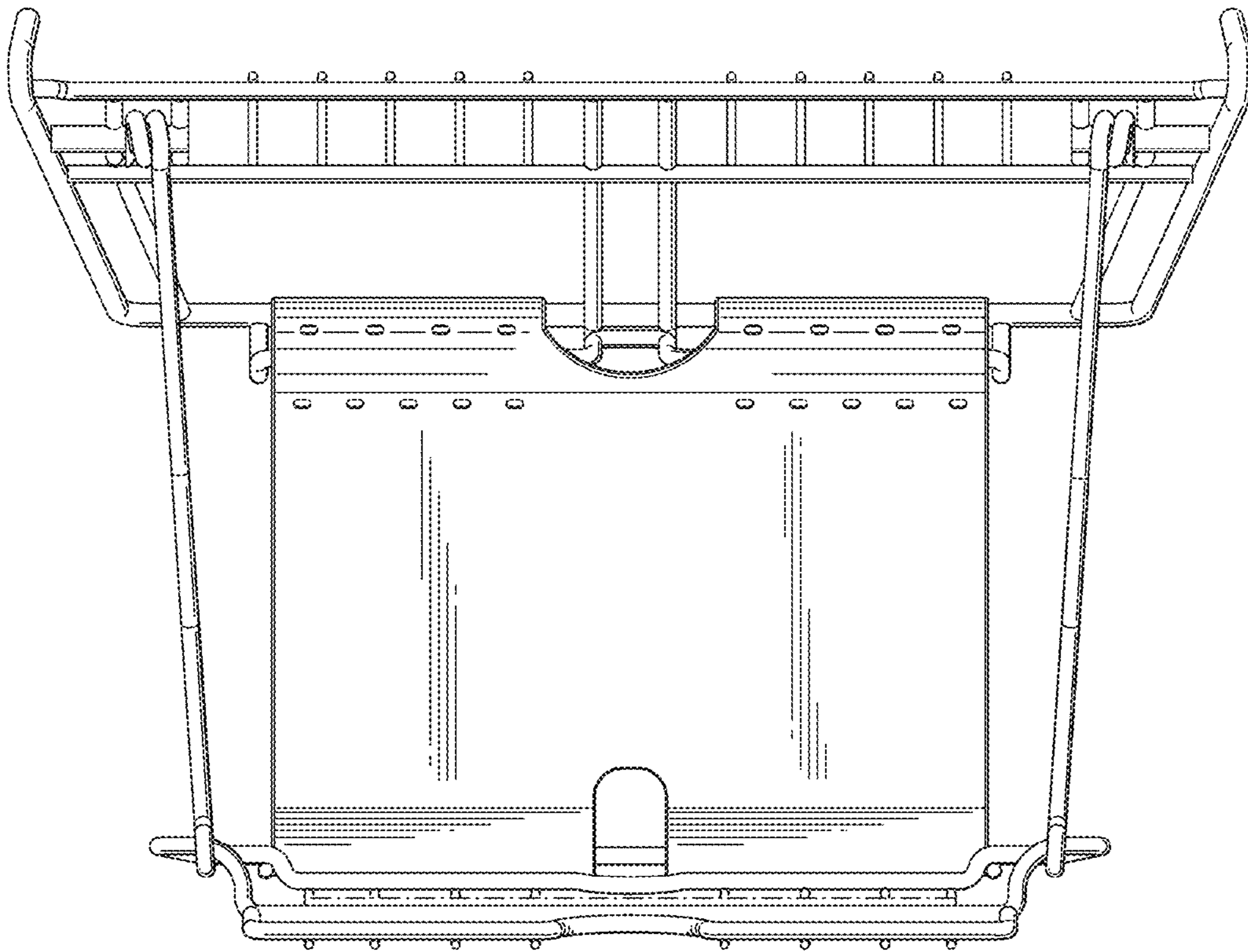


FIG. 6

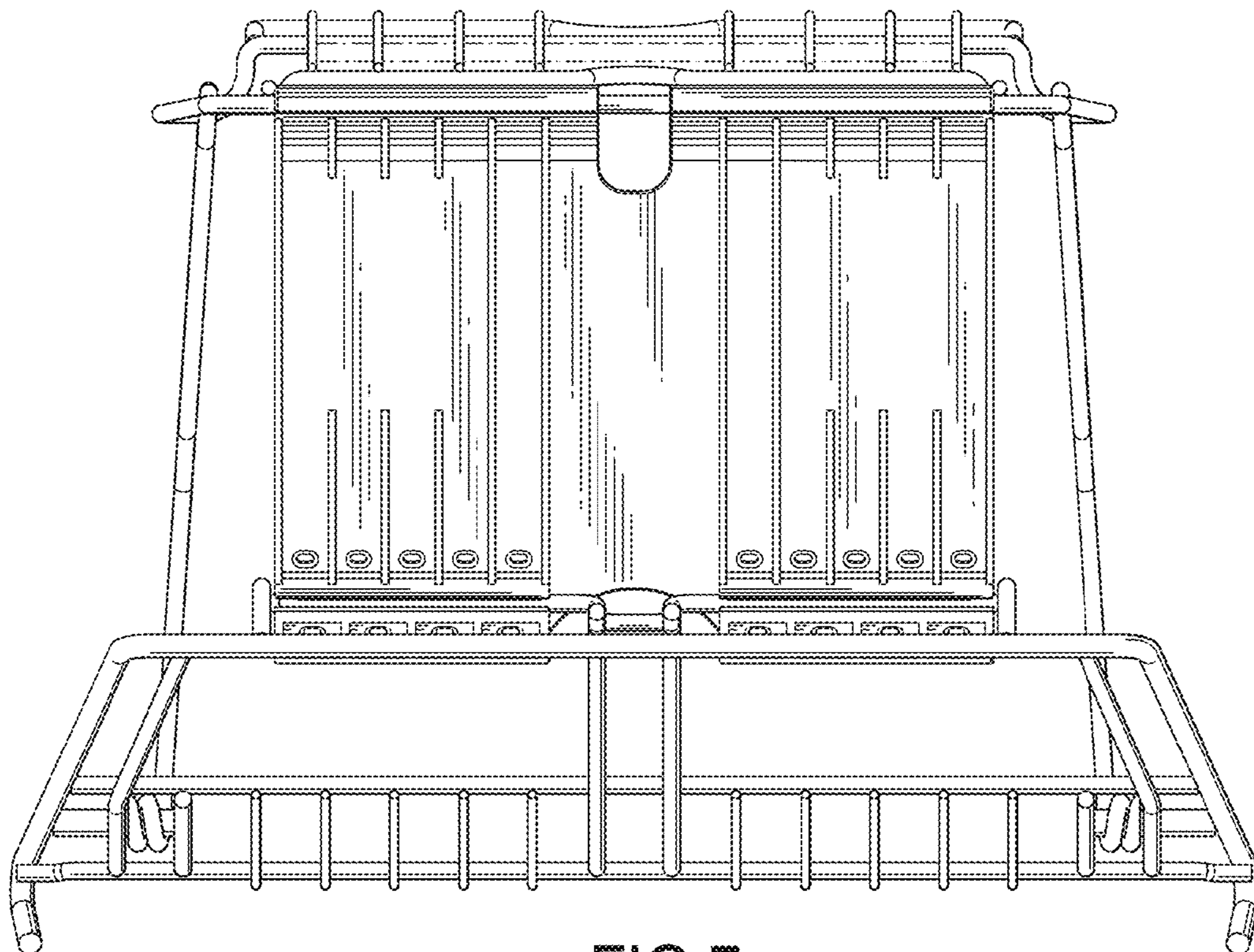


FIG. 7

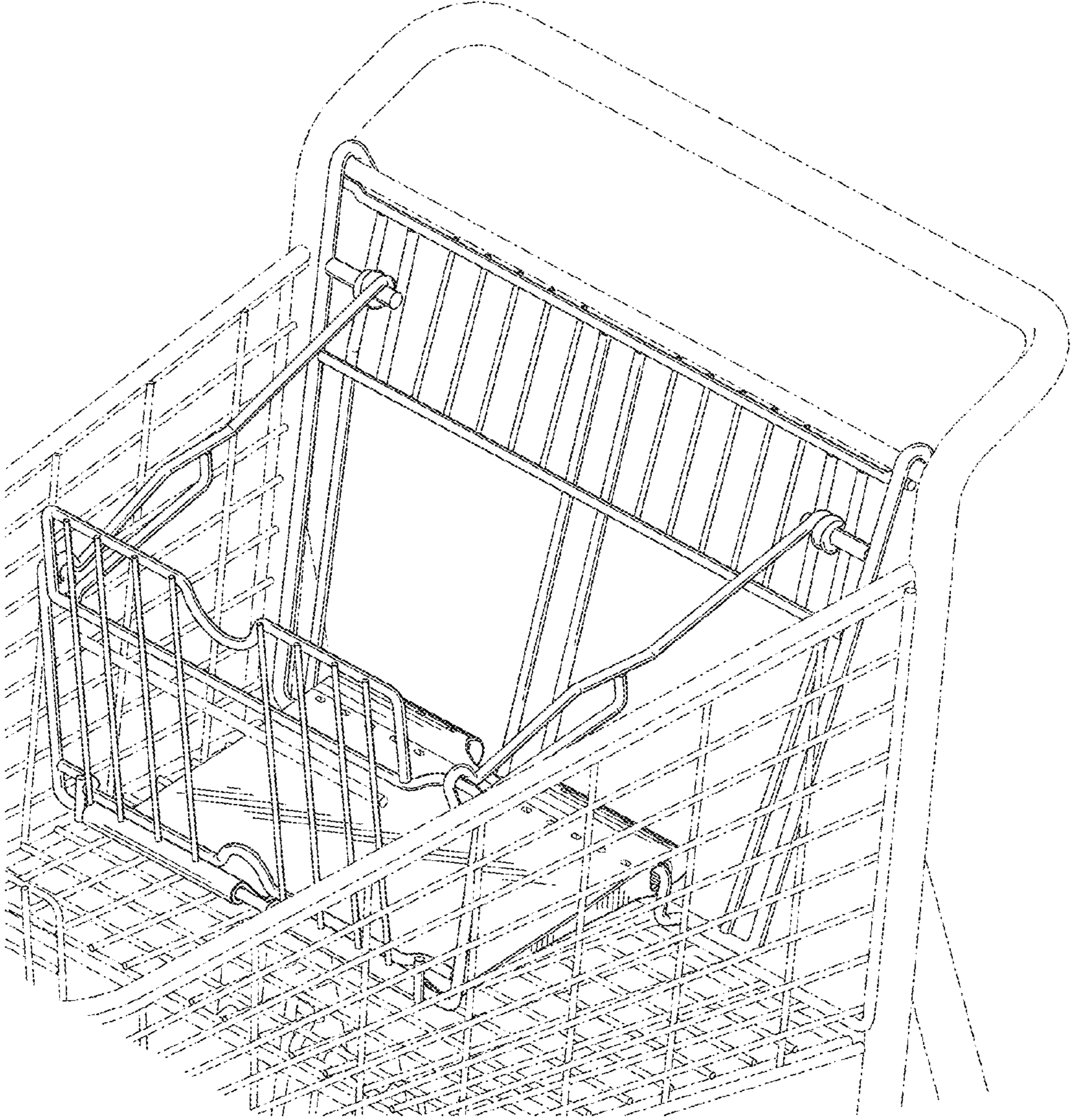


FIG.9