



US00D692200S

(12) **United States Design Patent**
Lee et al.

(10) **Patent No.:** **US D692,200 S**
(45) **Date of Patent:** **** Oct. 22, 2013**

(54) **DISH RACK**

(71) Applicant: **Robinson Home Products Inc.,**
Williamsville, NY (US)

(72) Inventors: **Stuart Harvey Lee**, Forest Hills, NY
(US); **Jochen Rainer Schaeppers**, New
York, NY (US)

(73) Assignee: **Robinson Home Products Inc.,**
Williamsville, NY (US)

(**) Term: **14 Years**

(21) Appl. No.: **29/447,340**

(22) Filed: **Mar. 1, 2013**

(51) **LOC (9) Cl.** **07-05**

(52) **U.S. Cl.**
USPC **D32/55**

(58) **Field of Classification Search**
USPC D32/55, 276, 3; D6/510, 525; D30/133;
211/41.5, 41.4, 41.3, 41.8; 361/679.4;
312/311, 333, 334.4; D7/354, 629
See application file for complete search history.

(56) **References Cited**

U.S. PATENT DOCUMENTS

D35,670 S *	2/1902	Eustis	D32/55
D188,864 S *	9/1960	Stansbury et al.	D32/55
2,954,875 A	10/1960	Becker		
D224,133 S *	7/1972	Swett	D32/55
D261,602 S *	11/1981	Anderson	D32/55
D268,959 S *	5/1983	Troy	D32/55
5,158,184 A *	10/1992	Craft et al.	211/41.3

D345,834 S *	4/1994	Craft et al.	D32/55
D586,061 S *	2/2009	Curtin	D32/55
D599,069 S *	8/2009	Curtin	D32/55
D624,721 S *	9/2010	Curtin	D32/55
D636,545 S *	4/2011	Lawson et al.	D30/161
D639,000 S *	5/2011	Weber	D30/161
D667,190 S *	9/2012	Miller	D32/55
D677,443 S *	3/2013	Urdaneta	D32/55
D678,632 S *	3/2013	Chance et al.	D30/161

* cited by examiner

Primary Examiner — Austin Murphy

(74) *Attorney, Agent, or Firm* — Florek & Endres PLLC

(57) **CLAIM**

We claim the ornamental design for a dish rack, as shown and described.

DESCRIPTION

FIG. 1 is a perspective view of the dish rack of the present invention.

FIG. 2 is a front elevation of the dish rack of the present invention.

FIG. 3 is a rear elevation of the dish rack of the present invention.

FIG. 4 is a left side elevation of the dish rack of the present invention.

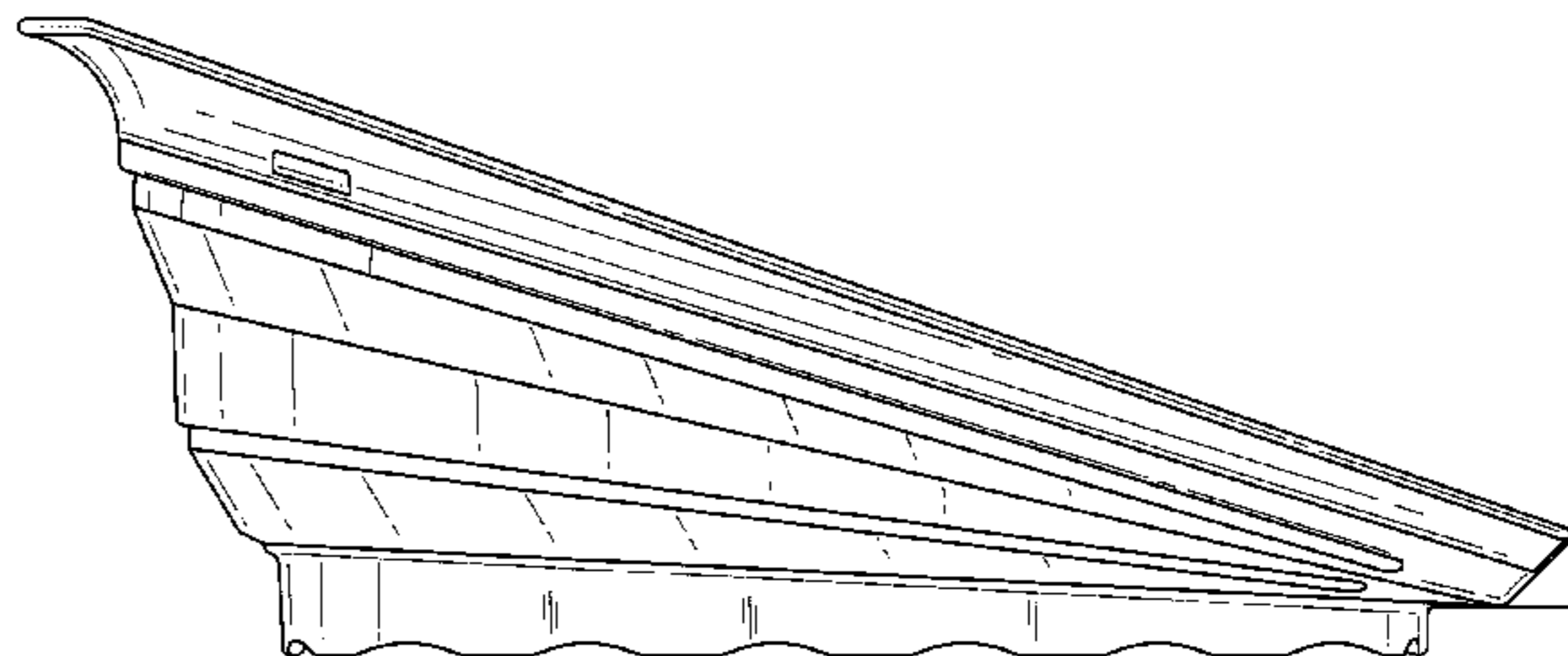
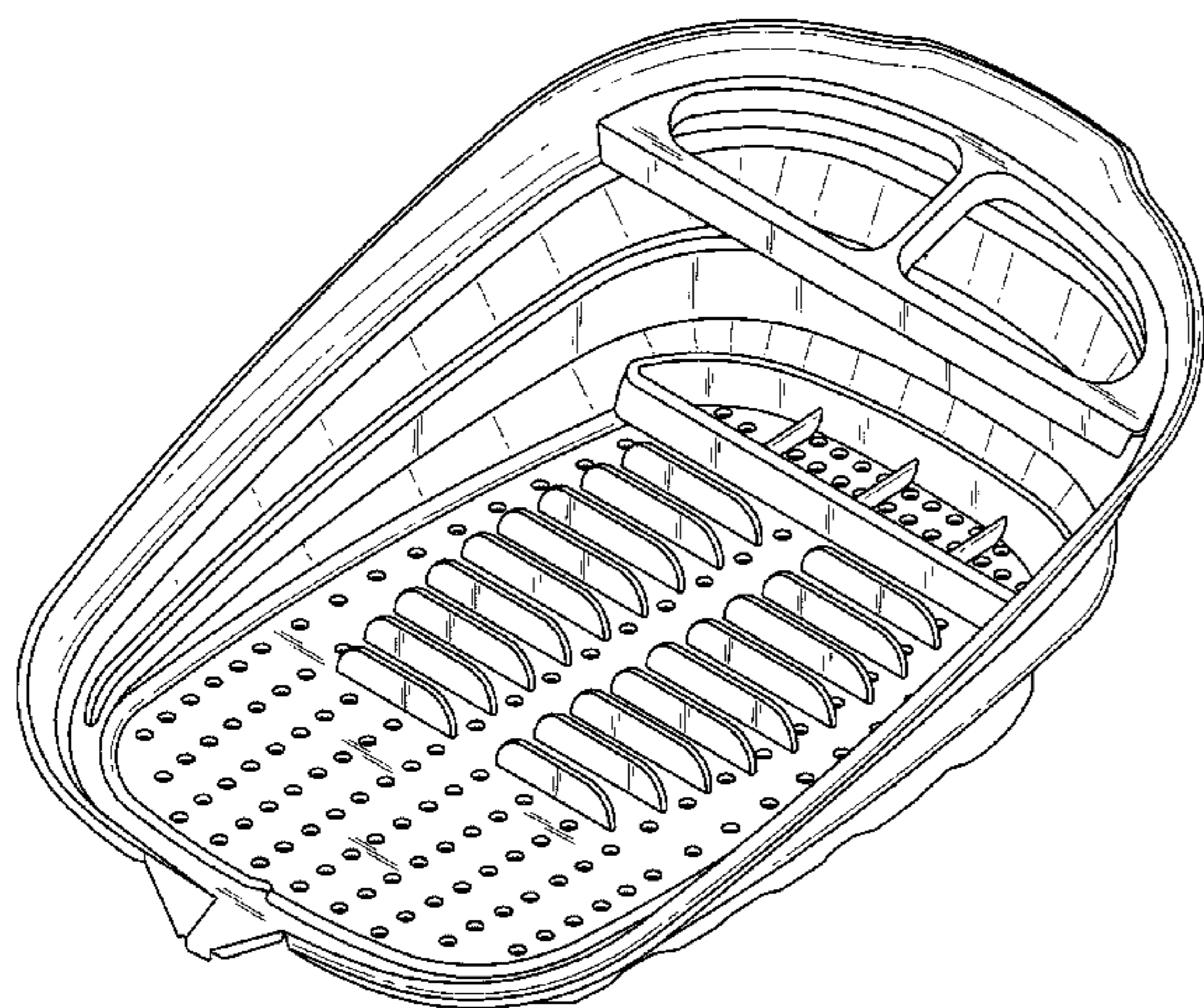
FIG. 5 is a right side elevation of the dish rack of the present invention.

FIG. 6 is a top plan view of the dish rack of the present invention; and,

FIG. 7 is a bottom plan view of the dish rack of the present invention.

The broken lines in the drawings represent unclaimed features.

1 Claim, 7 Drawing Sheets



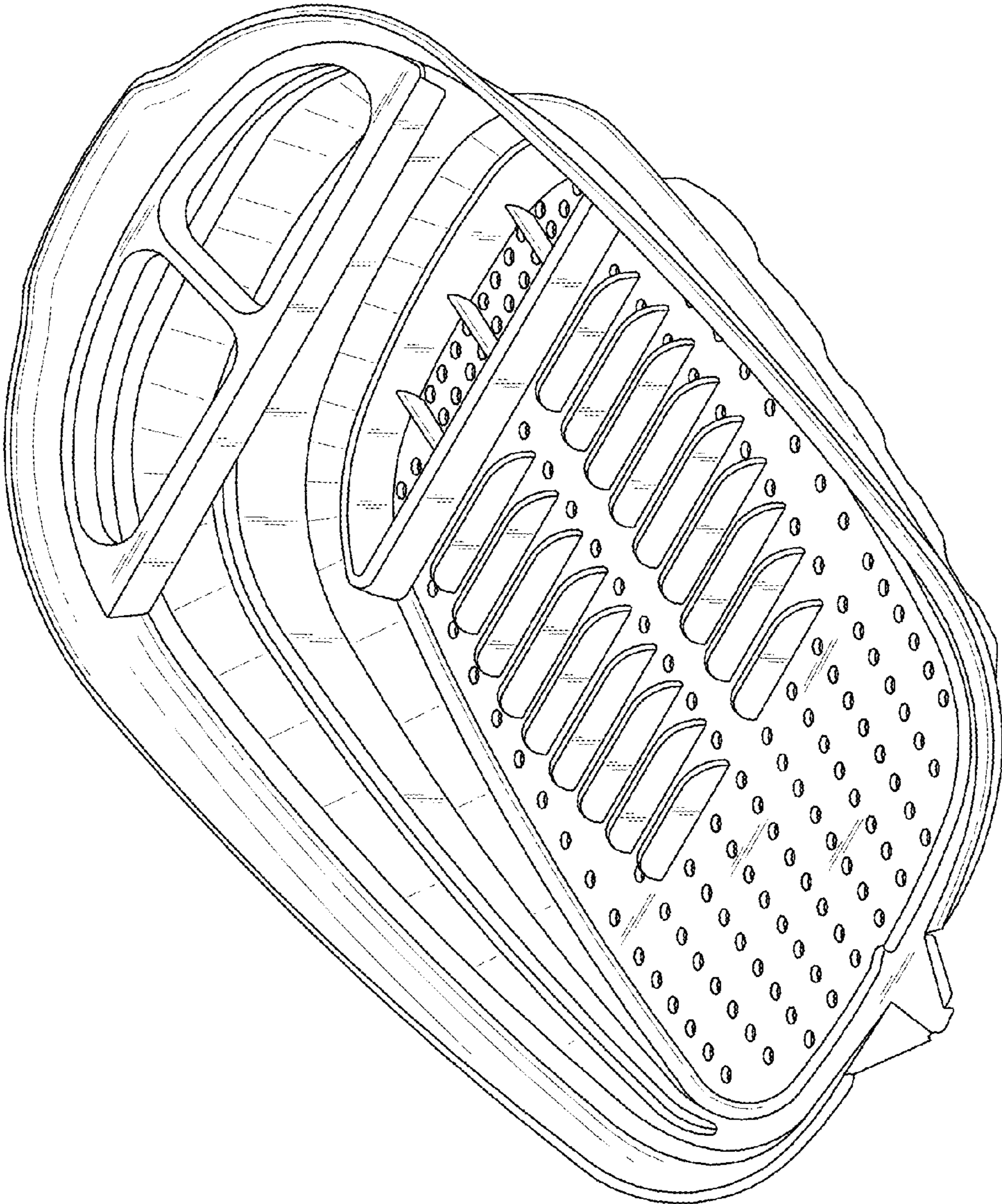


FIG. 1

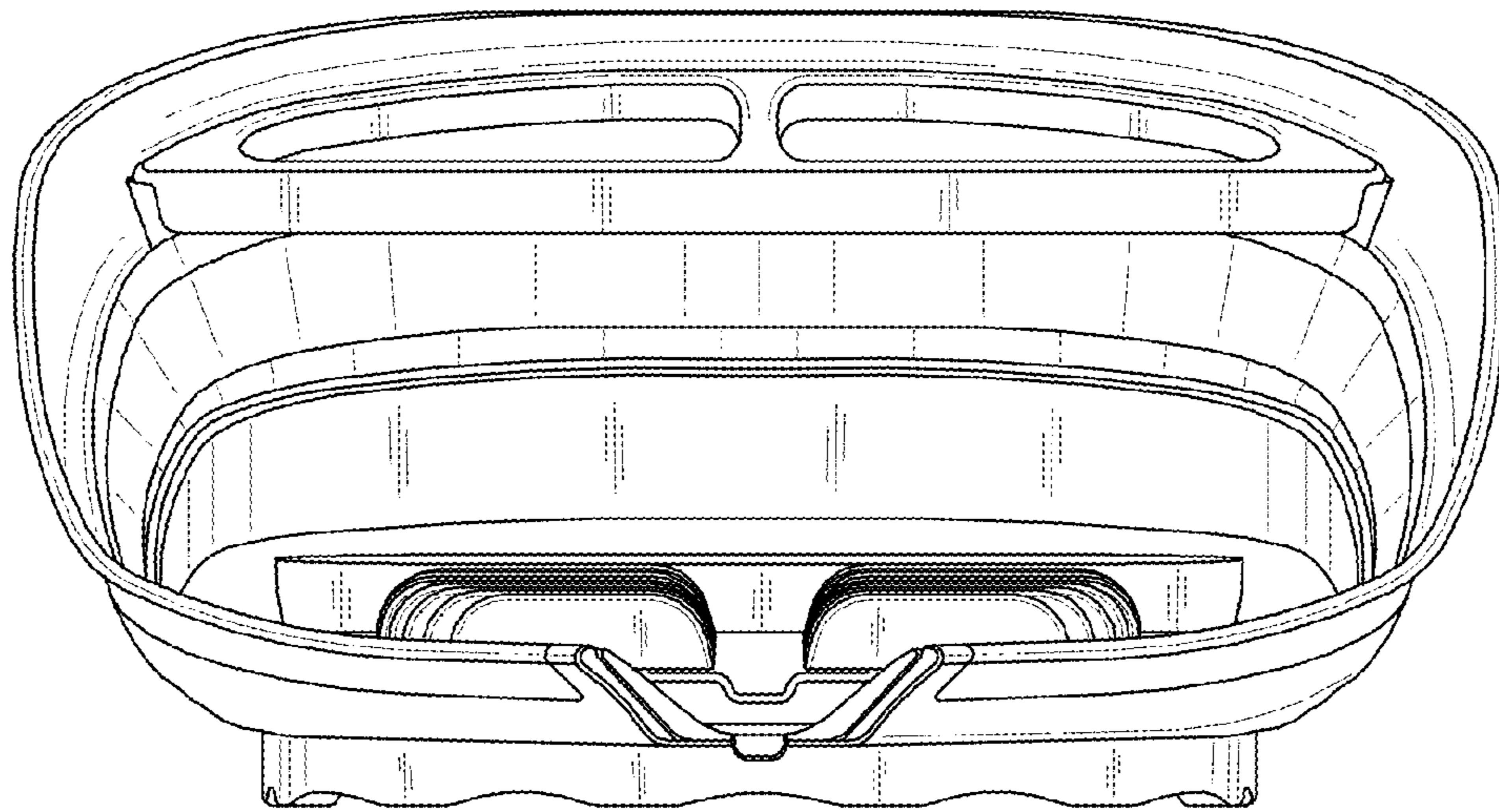


FIG. 2

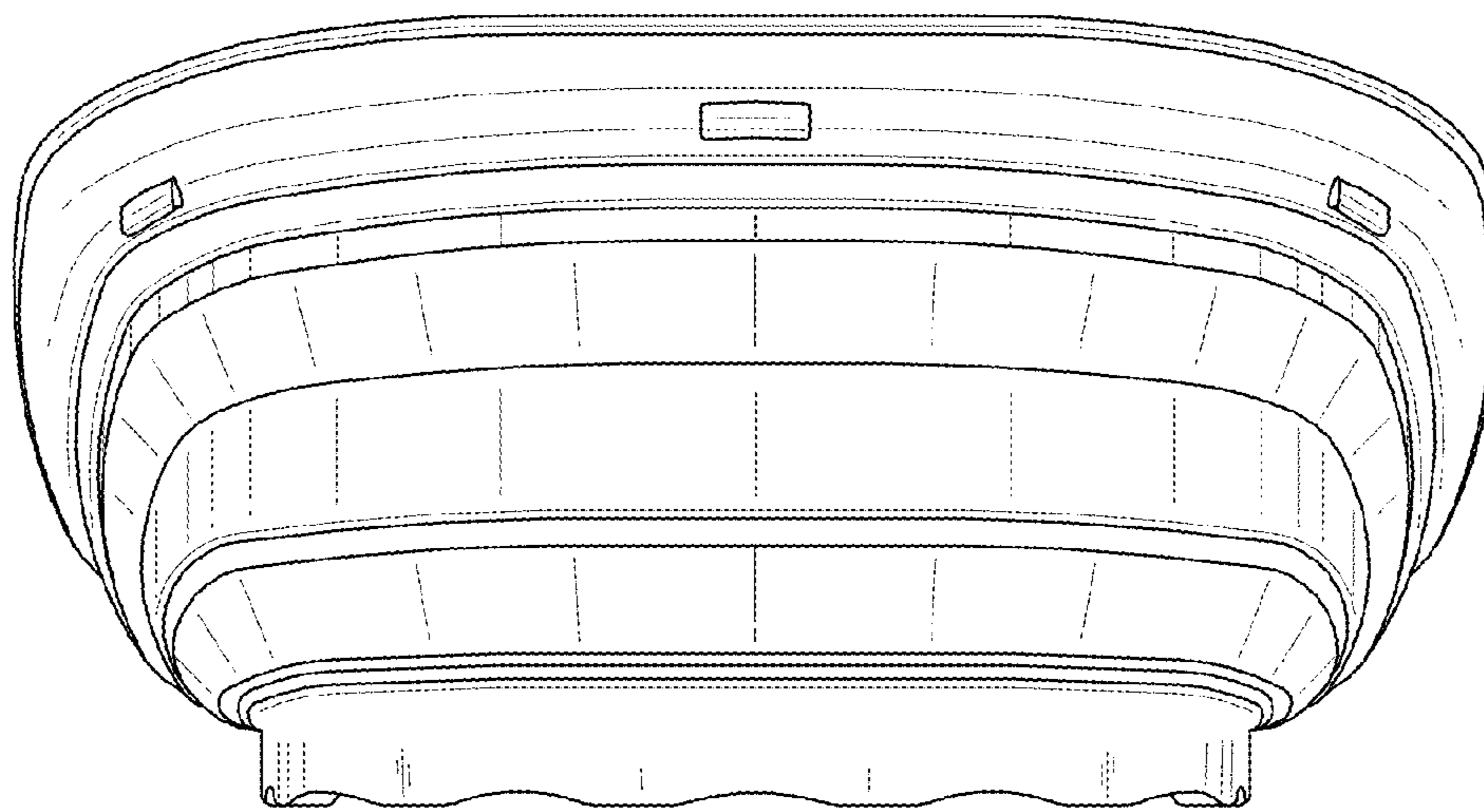


FIG. 3

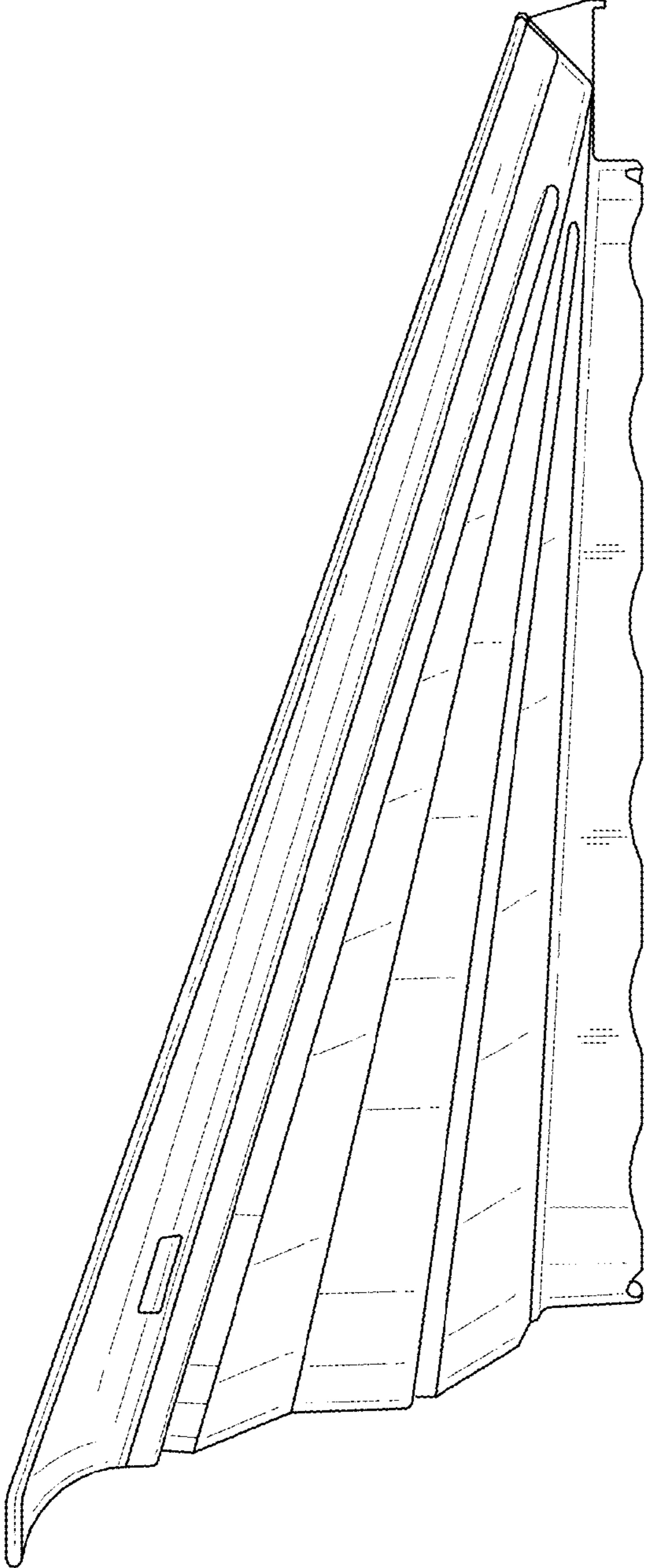


FIG. 4

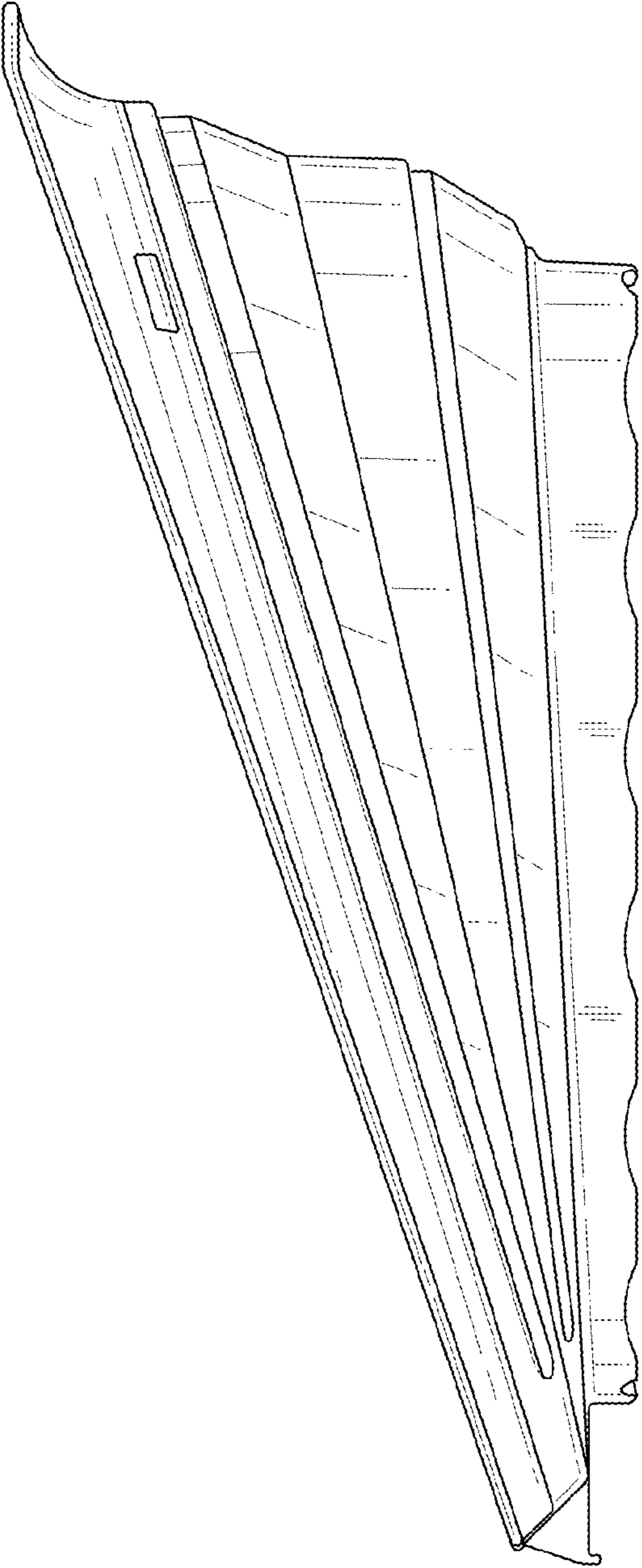


FIG. 5

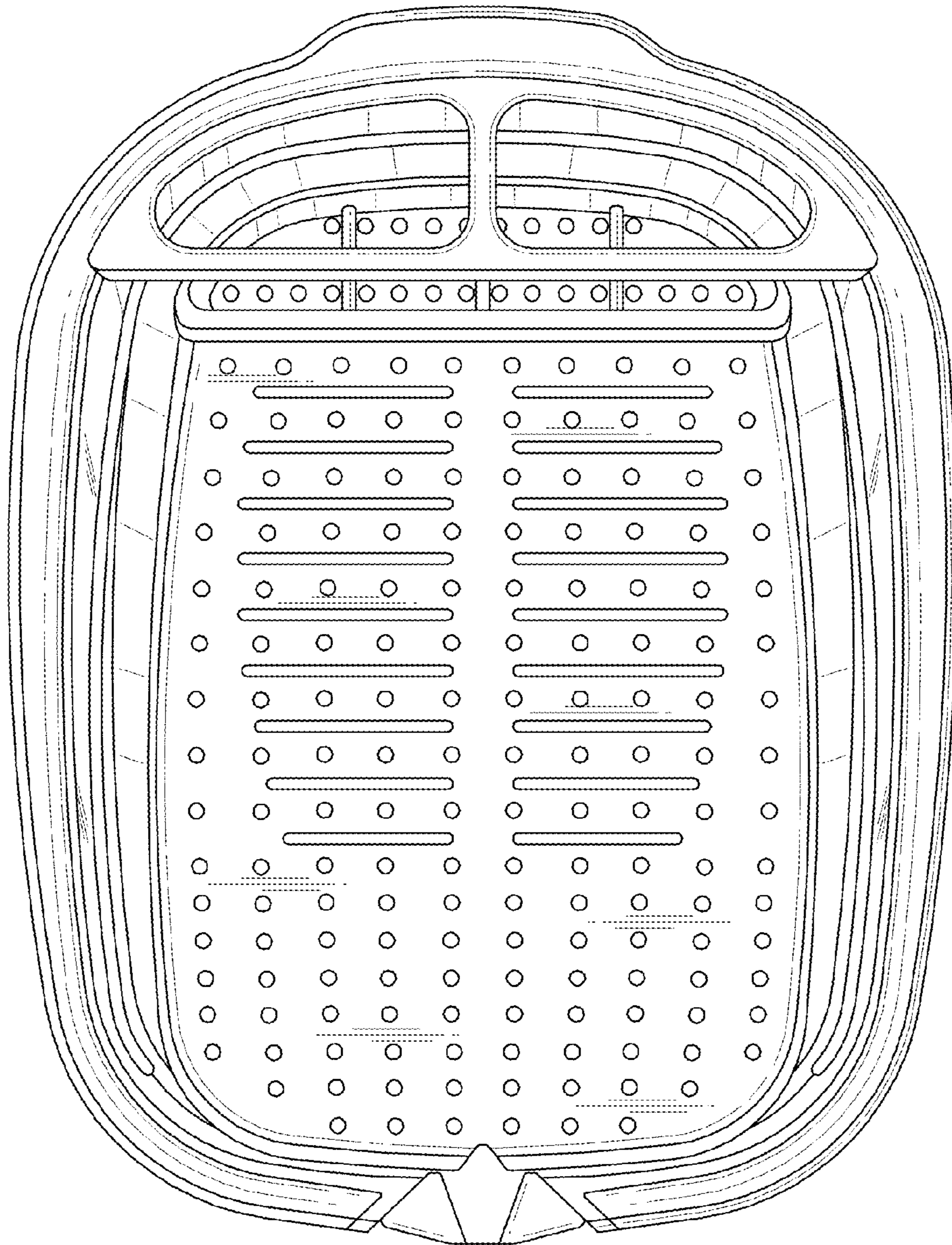


FIG. 6

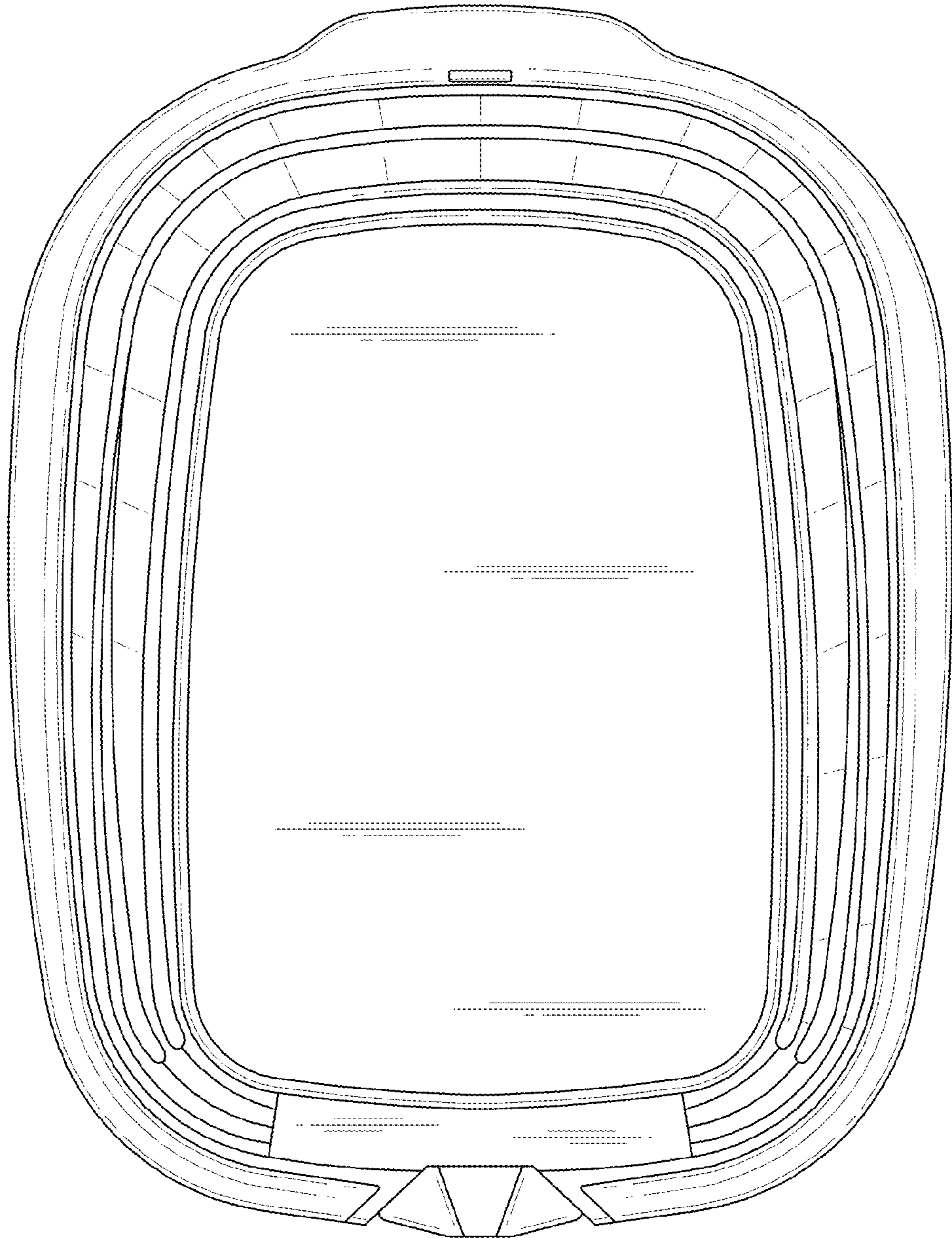


FIG. 7