



US00D692199S

(12) **United States Design Patent**  
**Huang**

(10) **Patent No.:** **US D692,199 S**

(45) **Date of Patent:** **\*\* Oct. 22, 2013**

(54) **DISH RACK**

(76) Inventor: **Jianping Huang**, Jiangmen (CN)

(\*\*) Term: **14 Years**

(21) Appl. No.: **29/428,130**

(22) Filed: **Jul. 26, 2012**

(51) **LOC (9) Cl.** ..... **07-05**

(52) **U.S. Cl.**  
USPC ..... **D32/55**

(58) **Field of Classification Search**  
USPC ..... D32/55-56, 58; 4/637, 656;  
211/41.2-41.4, 41.8-41.9, 181.1,  
211/126.8-126.9, 85.25, 86.01, 88.01;  
220/485, 487-488, 494, 572; D6/462;  
D7/667

See application file for complete search history.

(56) **References Cited**

**U.S. PATENT DOCUMENTS**

D408,603 S *	4/1999	Haley	.....	D32/55
D413,700 S *	9/1999	Wang	.....	D32/55
D423,160 S *	4/2000	Lenney	.....	D32/55
D534,701 S *	1/2007	Schmidt	.....	D32/55
D554,818 S *	11/2007	Murray	.....	D32/55

D554,819 S *	11/2007	Shah	.....	D32/55
D555,310 S *	11/2007	Yang et al.	.....	D32/55
D555,311 S *	11/2007	Yang et al.	.....	D32/55
D559,491 S *	1/2008	Yang et al.	.....	D32/55
D581,619 S *	11/2008	Yang et al.	.....	D32/55
D599,067 S *	8/2009	Yang et al.	.....	D32/55
D599,068 S *	8/2009	Yang et al.	.....	D32/55
D646,450 S *	10/2011	Yang et al.	.....	D32/55
D647,678 S *	10/2011	Yang et al.	.....	D32/55

\* cited by examiner

*Primary Examiner* — Austin Murphy

(74) *Attorney, Agent, or Firm* — Houston & Associates, LLP

(57) **CLAIM**

The ornamental design for a dish rack, as shown and described.

**DESCRIPTION**

FIG. 1 is a perspective view of a dish rack showing my new design;

FIG. 2 is a front view thereof;

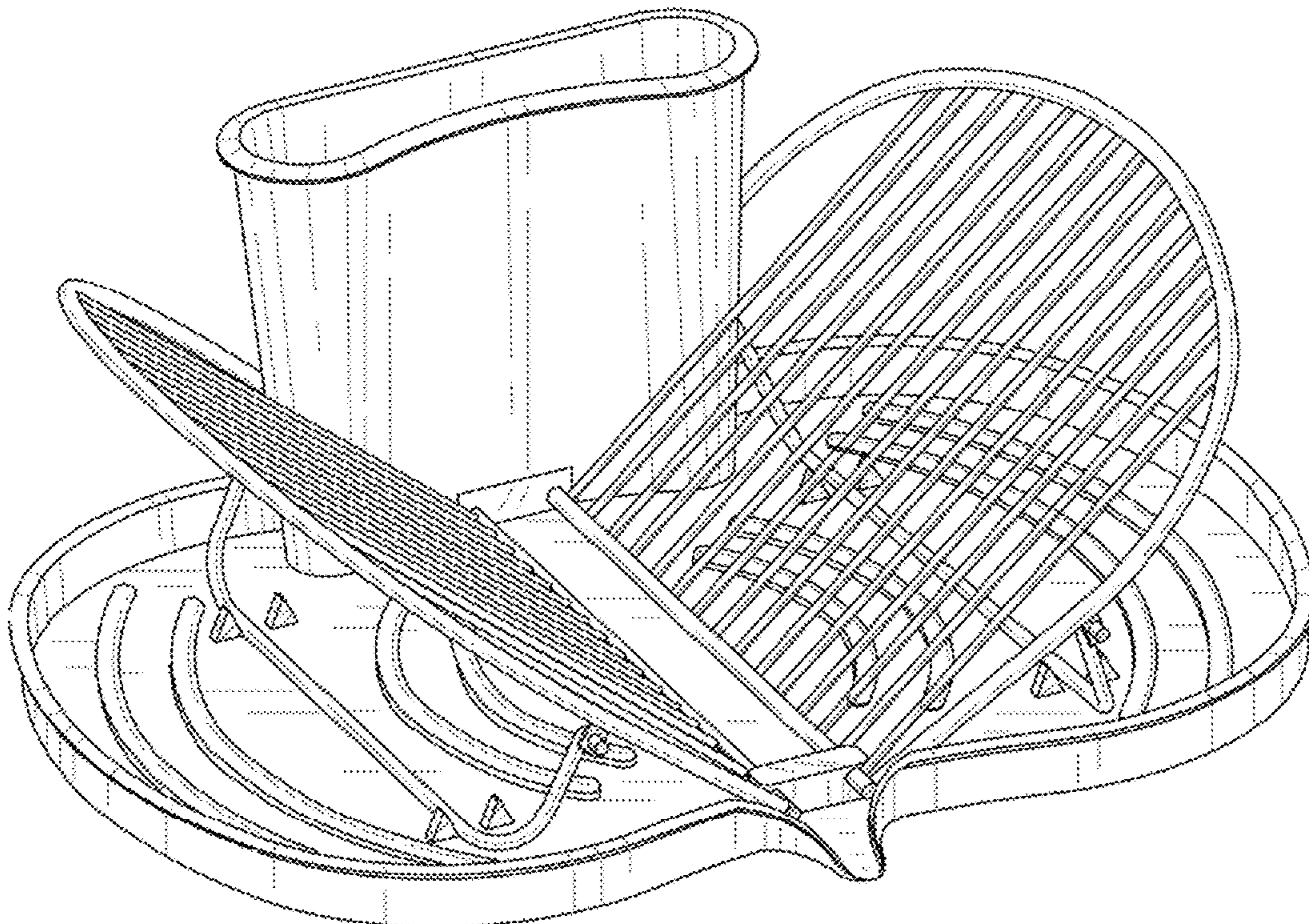
FIG. 3 is a rear view thereof;

FIG. 4 is a top plan view thereof;

FIG. 5 is a left view thereof; and,

FIG. 6 is a right view thereof.

**1 Claim, 6 Drawing Sheets**



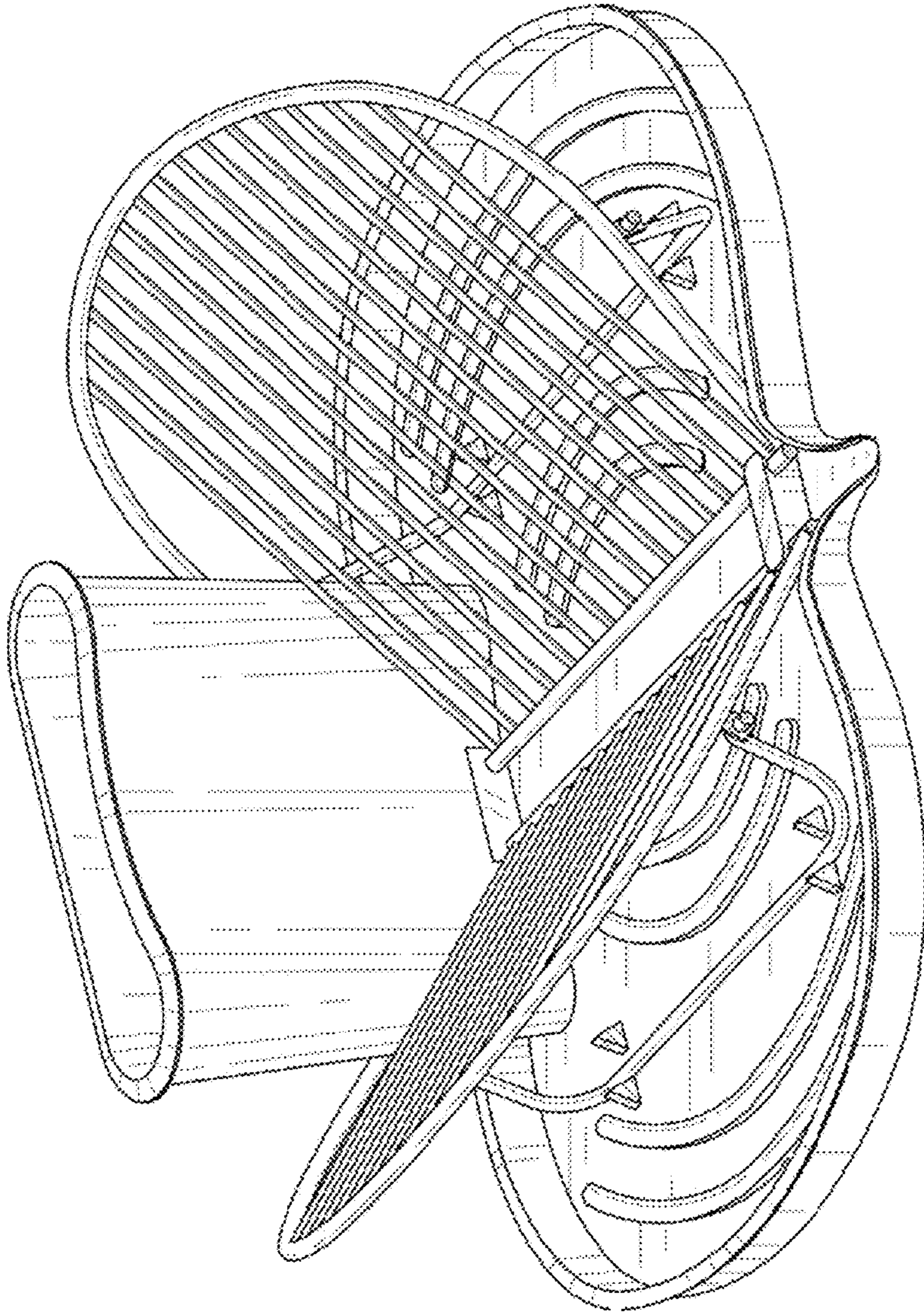


FIG. 1

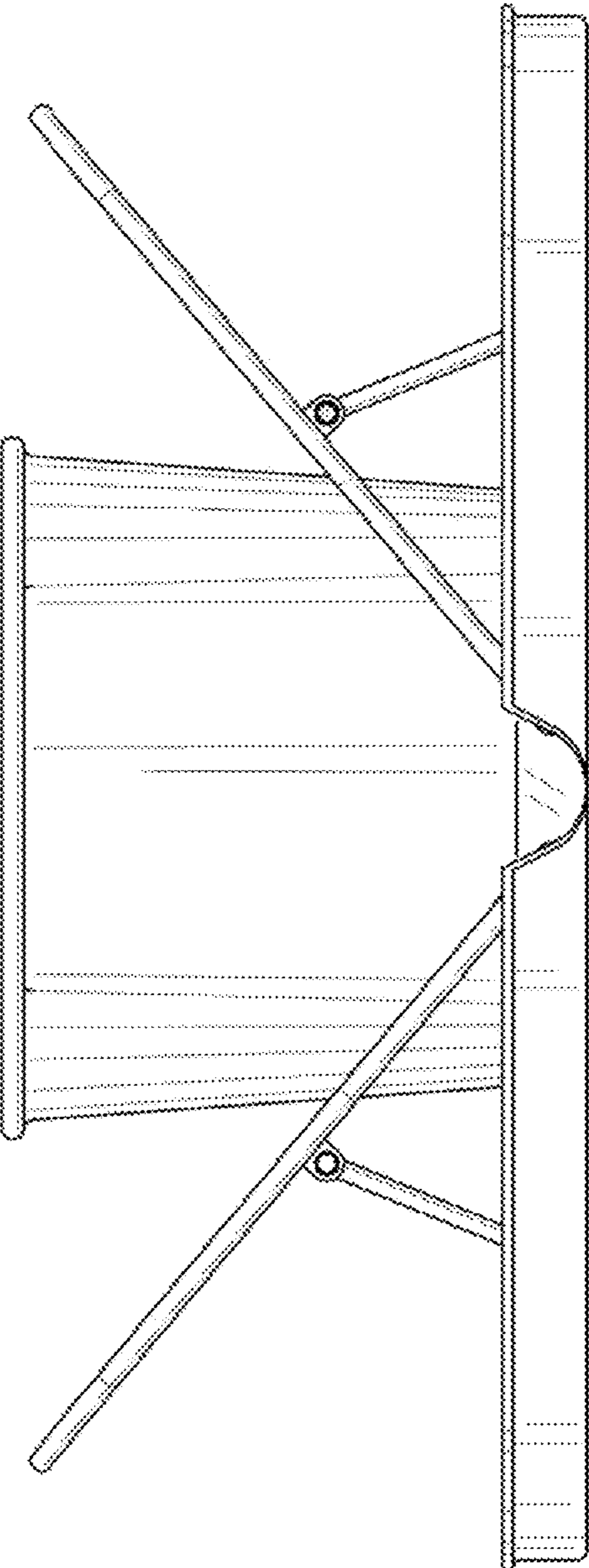


FIG. 2

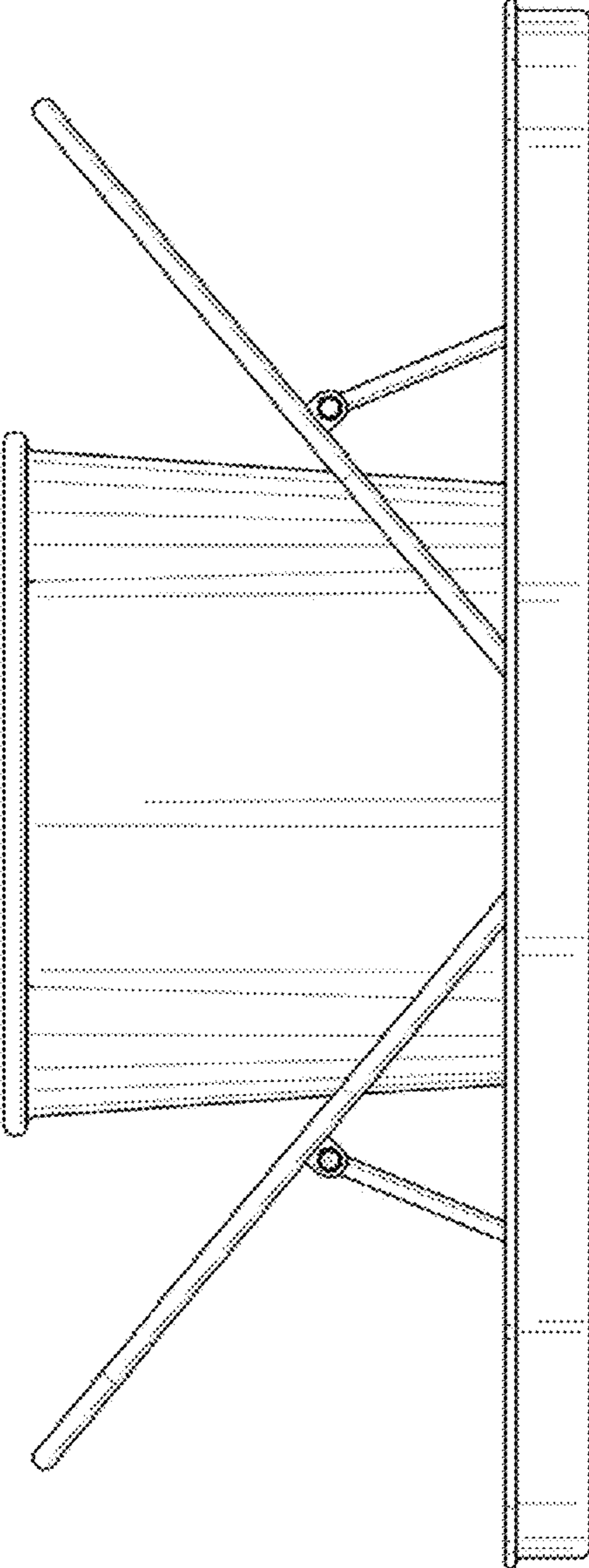


FIG. 3

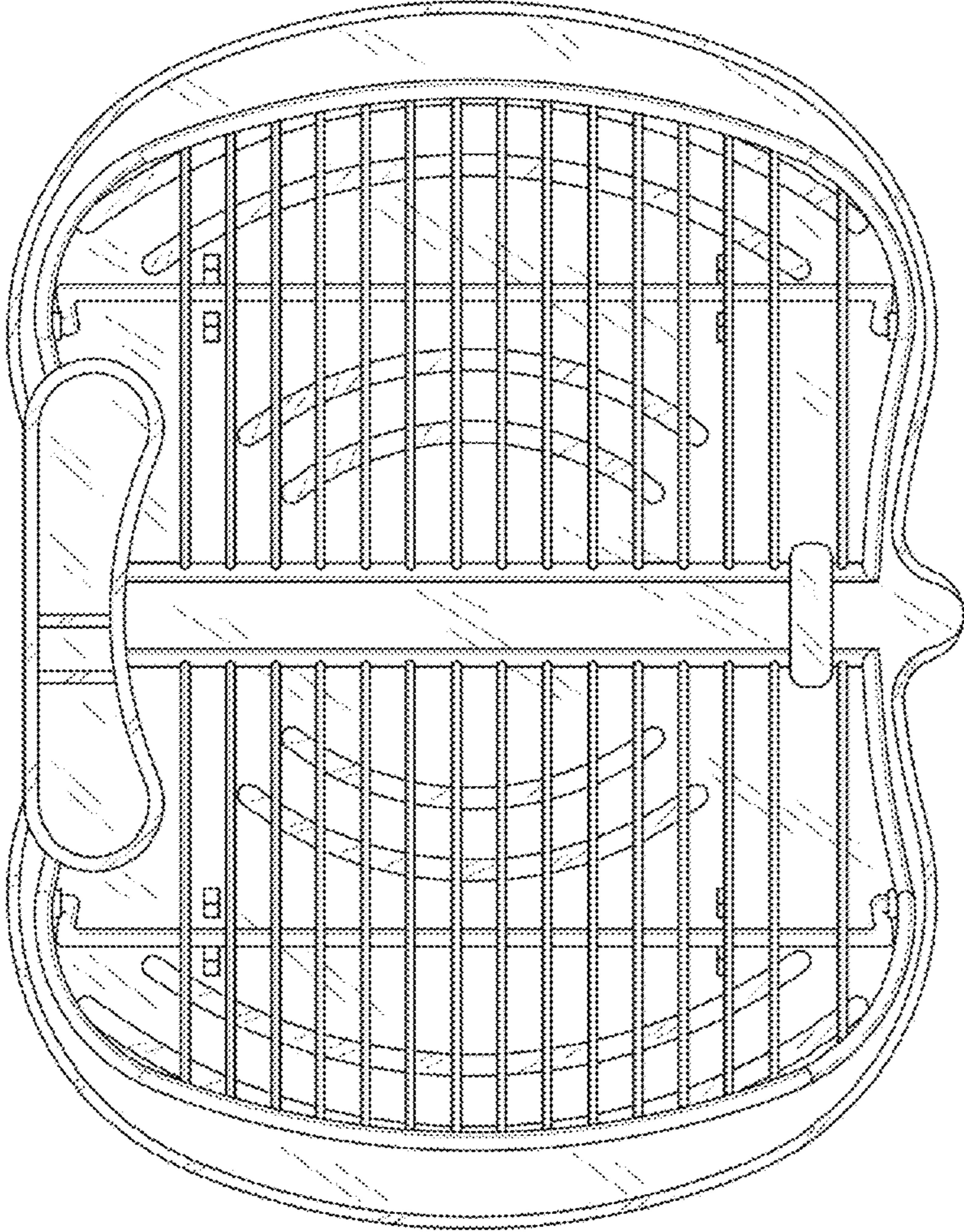


FIG. 4

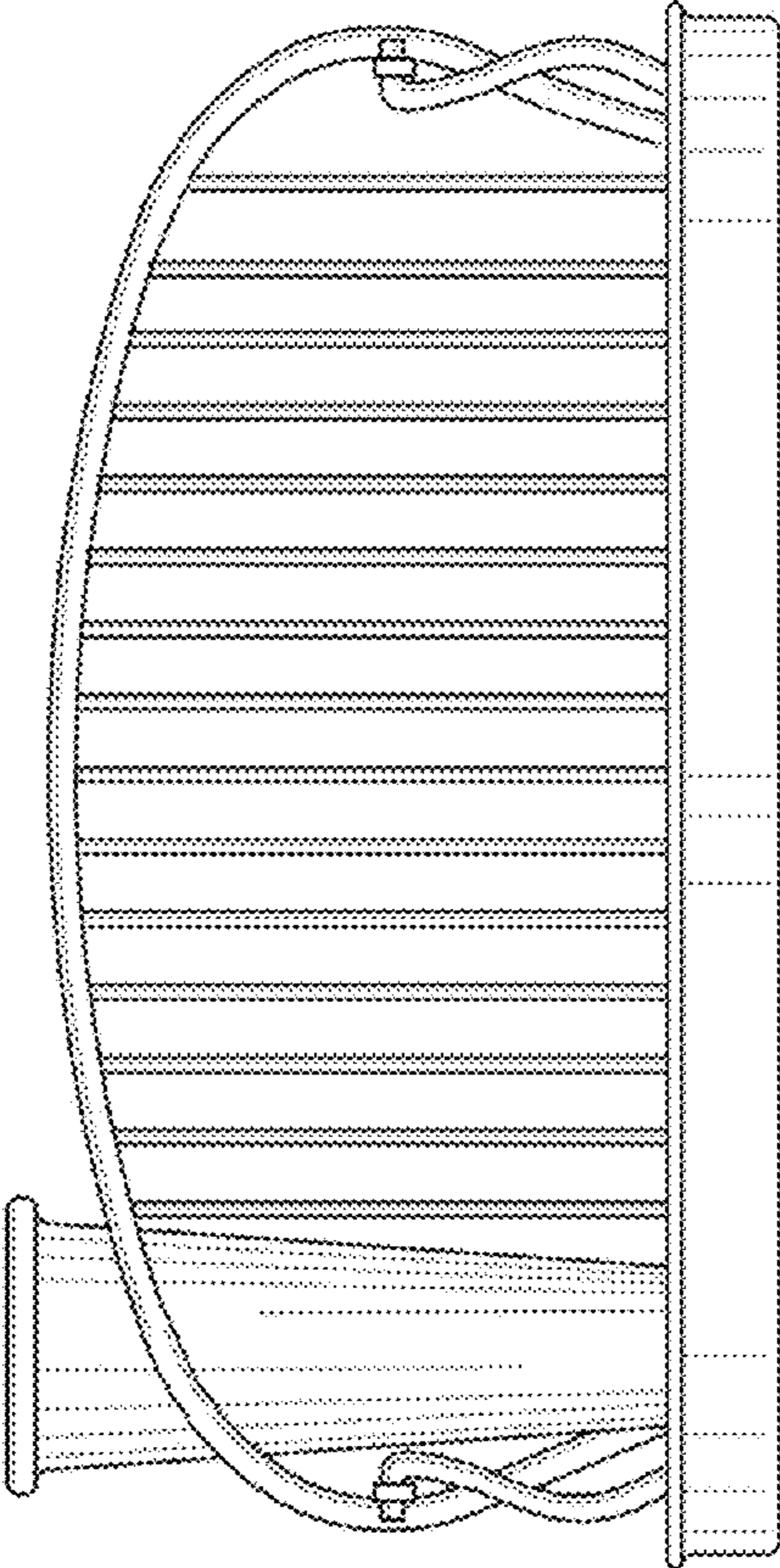


FIG. 5

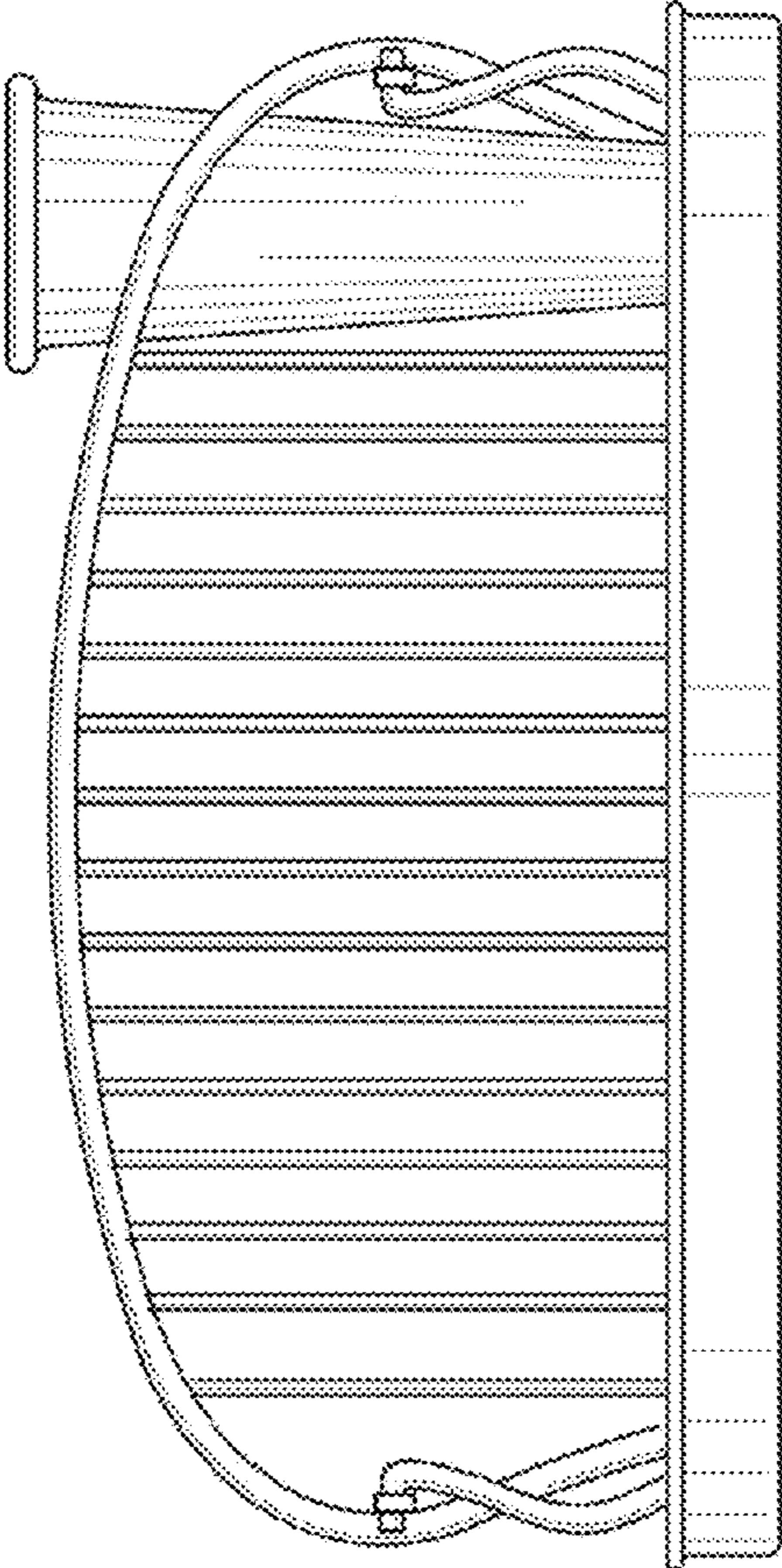


FIG. 6