



US00D692197S

(12) **United States Design Patent**  
**Rossano**

(10) **Patent No.:** **US D692,197 S**  
(45) **Date of Patent:** **\*\* Oct. 22, 2013**

- (54) **SIXTEEN INCH WALL BRUSH**
  - (75) Inventor: **Martin Rossano**, Montreal (CA)
  - (73) Assignee: **CPA Pool Products, Inc.**, Quebec (CA)
  - (\*\*) Term: **14 Years**
  - (21) Appl. No.: **29/423,768**
  - (22) Filed: **Jun. 5, 2012**
  - (51) **LOC (9) Cl.** ..... **15-05**
  - (52) **U.S. Cl.**  
USPC ..... **D32/33**
  - (58) **Field of Classification Search**  
USPC ..... D32/17-18, 31-33, 50; 15/321-322,  
15/415.1-422.1, 246.2, 400, 353, 159.1,  
15/171, 246, 246.1, 176.1, 207.2, 1.7,  
15/160; 38/77.5, 77.9; 392/384, 404;  
68/5 R, 5 A, 222; 223/51, 70, 73;  
239/538; 119/677, 652, 600, 612, 615,  
119/618; D30/158
- See application file for complete search history.

- (56) **References Cited**  
U.S. PATENT DOCUMENTS
- |              |        |                    |        |
|--------------|--------|--------------------|--------|
| D289,338 S * | 4/1987 | Sartori .....      | D32/50 |
| D299,289 S * | 1/1989 | Machacek .....     | D4/134 |
| D382,117 S * | 8/1997 | Uranga et al. .... | D4/132 |
| D404,923 S * | 2/1999 | Diaz .....         | D4/115 |
| D439,055 S * | 3/2001 | Hay .....          | D4/132 |

- |                   |         |                       |        |
|-------------------|---------|-----------------------|--------|
| 6,199,241 B1 *    | 3/2001  | Anumah .....          | 15/160 |
| D545,063 S *      | 6/2007  | Sander .....          | D4/118 |
| D561,476 S *      | 2/2008  | Vosbikian et al. .... | D4/132 |
| D572,487 S *      | 7/2008  | Miller .....          | D4/118 |
| 7,975,339 B2 *    | 7/2011  | Gavney, Jr. ....      | 15/1.7 |
| D645,624 S *      | 9/2011  | Rossano et al. ....   | D32/33 |
| D648,498 S *      | 11/2011 | Rossano et al. ....   | D32/33 |
| D666,836 S *      | 9/2012  | Dobson, III .....     | D4/132 |
| 8,375,498 B2 *    | 2/2013  | Fuller et al. ....    | 15/1.7 |
| 2002/0083536 A1 * | 7/2002  | Holiday .....         | 15/1.7 |

\* cited by examiner

*Primary Examiner* — Ruth McInroy  
(74) *Attorney, Agent, or Firm* — Baker & Rannells, PA

(57) **CLAIM**  
The ornamental design for a sixteen inch wall brush, as shown and described.

**DESCRIPTION**

FIG. 1 is a perspective view of a sixteen inch wall brush, showing my new design;  
FIG. 2 is a front elevational view thereof;  
FIG. 3 is a rear elevational view thereof;  
FIG. 4 is a right side elevational view thereof;  
FIG. 5 is a left side elevational view thereof;  
FIG. 6 is a top plan view thereof; and,  
FIG. 7 is a bottom plan view thereof.  
The dotted lines are for illustrative purposes only, forming no part of the claimed design.

**1 Claim, 7 Drawing Sheets**

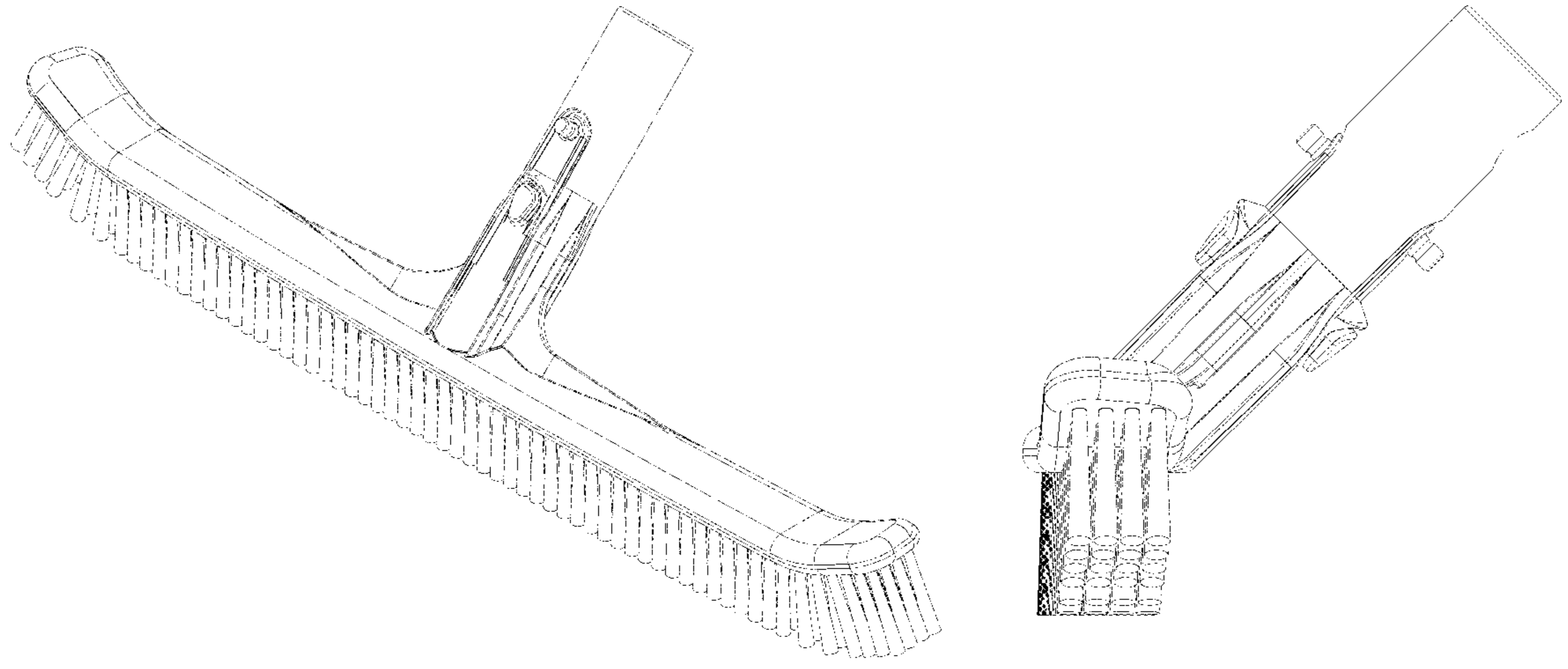


Fig. 1

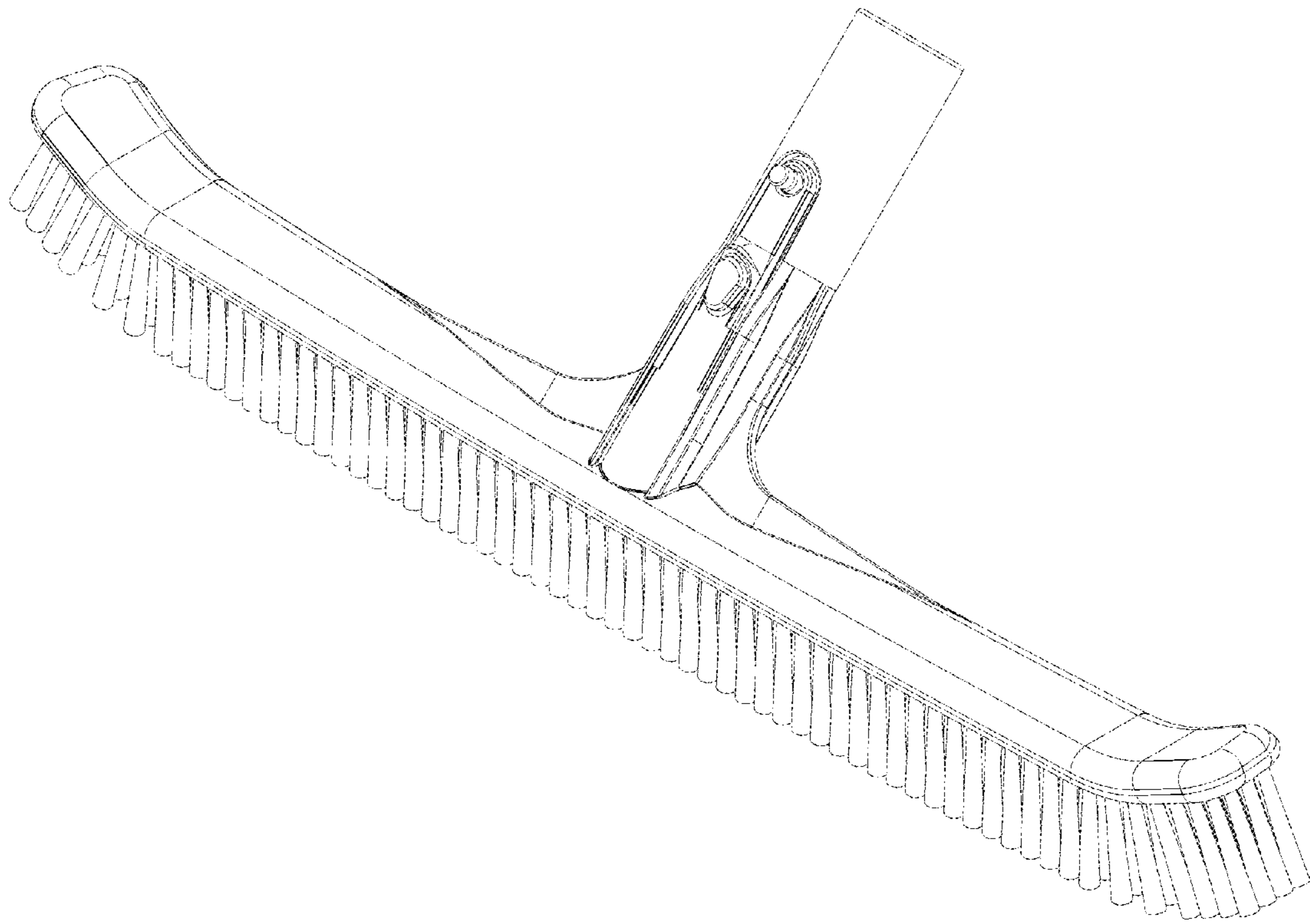


Fig. 2

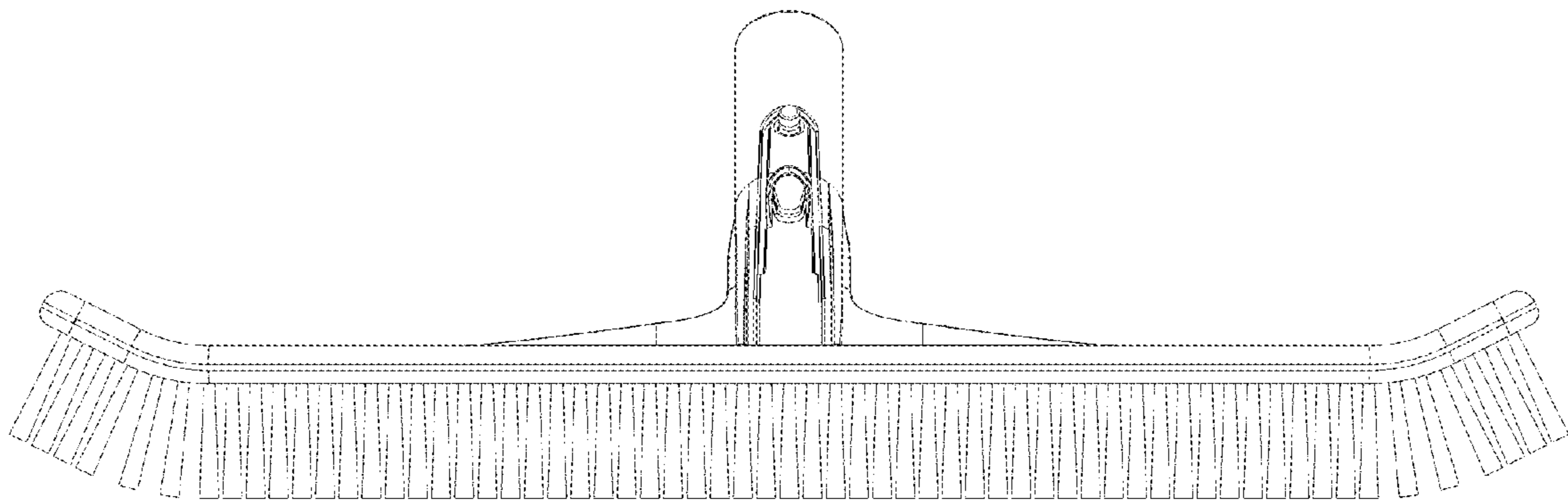


Fig. 3

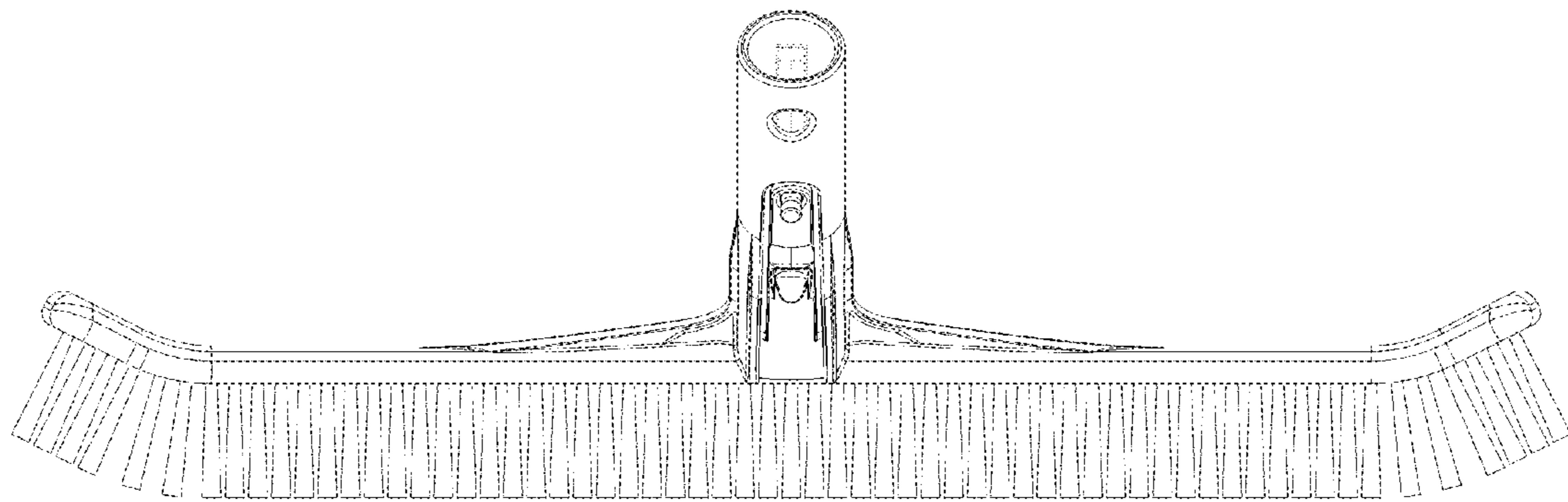


Fig. 4

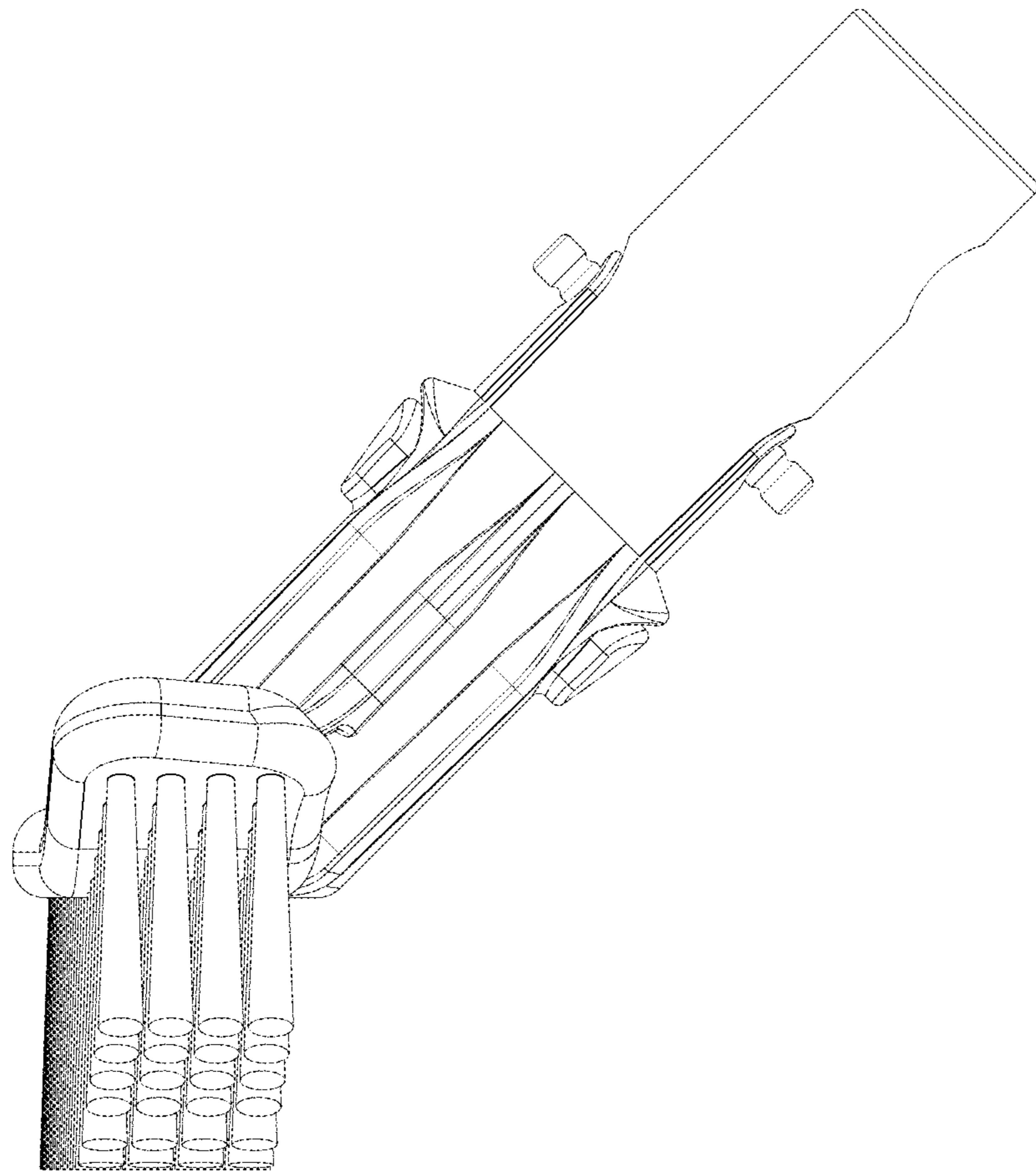


Fig. 5

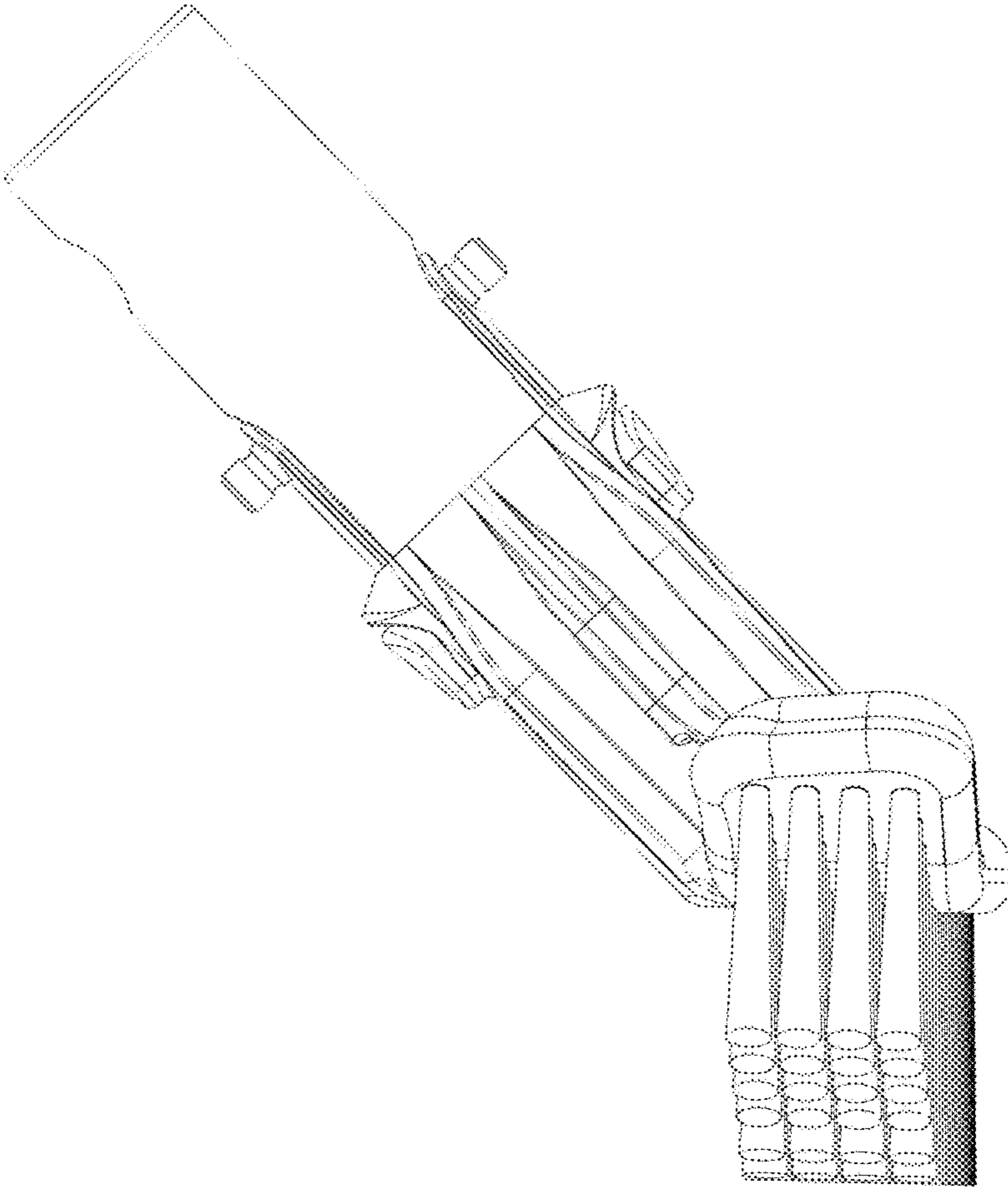


Fig. 6

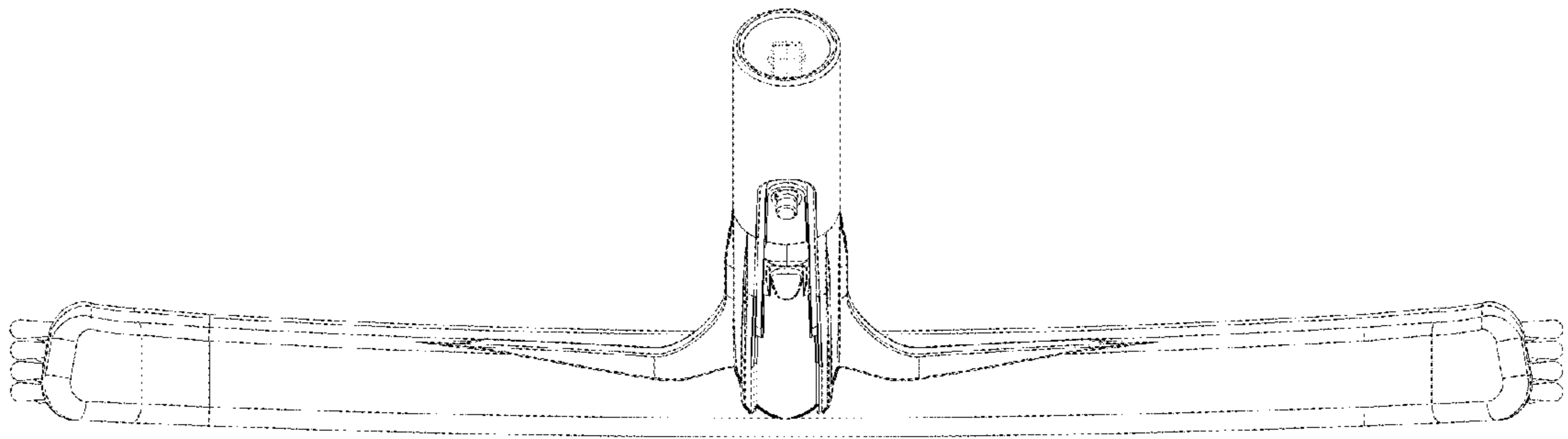


Fig. 7

