



US00D692194S

(12) **United States Design Patent**  
**Meda et al.**

(10) **Patent No.:** **US D692,194 S**

(45) **Date of Patent:** **\*\* \*Oct. 22, 2013**

(54) **LAUNDRY APPLIANCE**

(75) Inventors: **Samuele Meda**, Porcia (IT); **Jan Civrtnik**, Porcia (IT)

(73) Assignee: **Electrolux Home Products Corporation N.V.** (BE)

(\*) Notice: This patent is subject to a terminal disclaimer.

(\*\*) Term: **14 Years**

(21) Appl. No.: **29/422,646**

(22) Filed: **May 22, 2012**

(30) **Foreign Application Priority Data**

Nov. 22, 2011 (EM) ..... 001950635

(51) **LOC (9) Cl.** ..... **15-05**

(52) **U.S. Cl.**  
USPC ..... **D32/6**

(58) **Field of Classification Search**

USPC ..... D32/1, 5, 6, 8, 10; 68/3 R, 4, 5 R, 12.01, 68/12.07, 12.08, 212; 34/87-88, 523-524  
See application file for complete search history.

(56) **References Cited**

**U.S. PATENT DOCUMENTS**

D465,622 S 11/2002 Wang et al.  
D477,898 S 7/2003 Geyer  
D495,775 S 9/2004 Sagawa et al.  
D496,513 S 9/2004 Tsuda et al.  
D496,709 S 9/2004 Suh et al.  
D517,257 S 3/2006 Kim et al.  
D517,262 S 3/2006 Ha et al.

D517,263 S 3/2006 Ha et al.  
D523,595 S 6/2006 Carey et al.  
D524,001 S 6/2006 Carey et al.  
D538,489 S 3/2007 Bixby et al.  
D542,987 S 5/2007 Crookshanks  
D544,157 S 6/2007 Crookshanks  
D553,309 S 10/2007 Revoldini et al.  
D563,062 S 2/2008 Eicher et al.  
D565,809 S \* 4/2008 Eicher et al. .... D32/6  
D592,367 S 5/2009 Crookshanks  
D595,908 S \* 7/2009 Park et al. .... D32/6  
D611,206 S \* 3/2010 Yalcin et al. .... D32/6  
D628,755 S \* 12/2010 Helot et al. .... D32/5  
D631,622 S \* 1/2011 Chung et al. .... D32/6

\* cited by examiner

*Primary Examiner* — T. Chase Nelson  
*Assistant Examiner* — Kathleen M Sims

(74) *Attorney, Agent, or Firm* — Banner & Witcoff, Ltd.

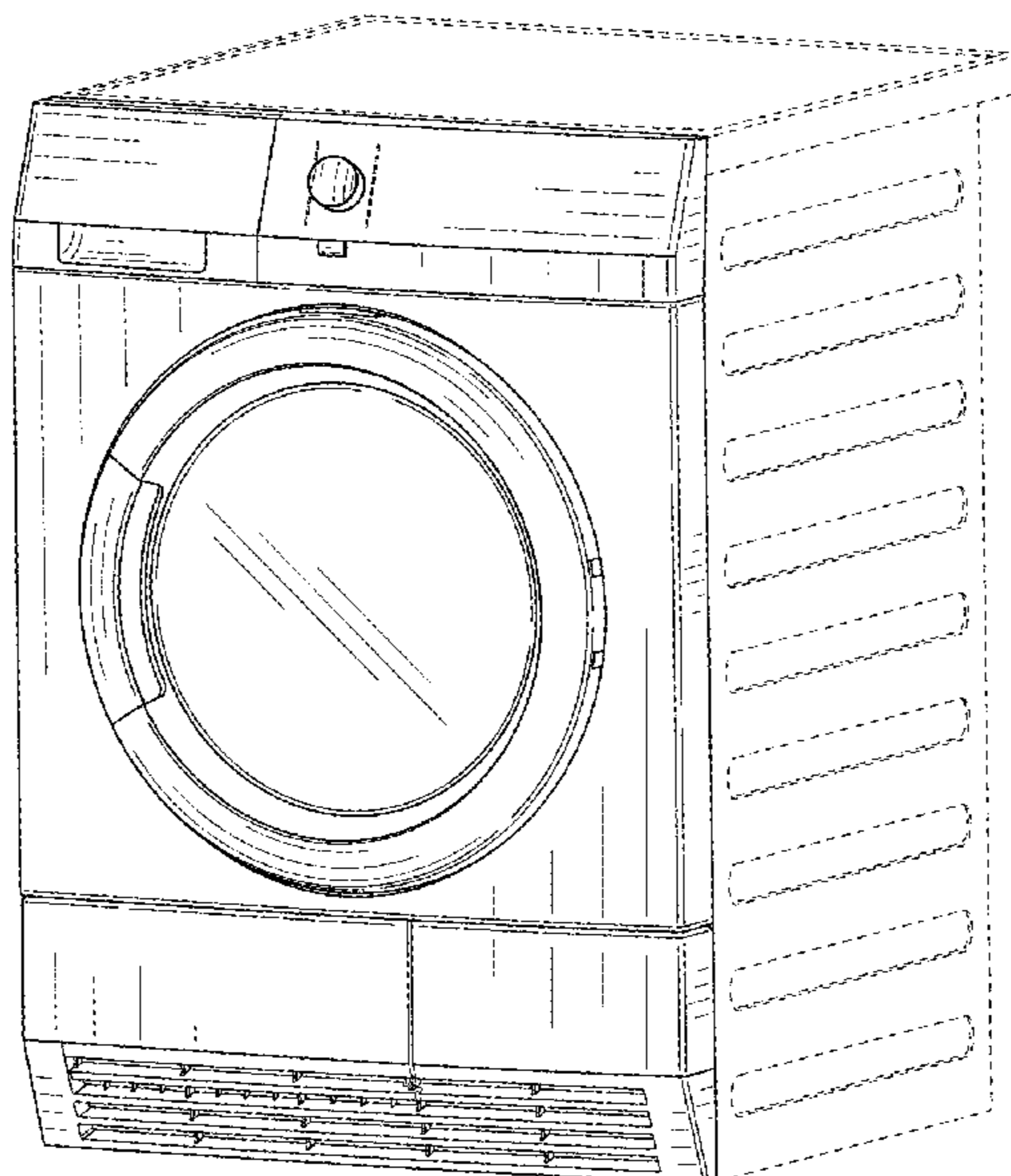
(57) **CLAIM**

The ornamental design for a laundry appliance, as shown and described.

**DESCRIPTION**

FIG. 1 is a perspective view of a laundry appliance showing my/our new design;  
FIG. 2 is a front view thereof;  
FIG. 3 is a rear view thereof;  
FIG. 4 is a right side view thereof;  
FIG. 5 is a left side view thereof;  
FIG. 6 is a top plan view thereof; and,  
FIG. 7 is a bottom plan view thereof.  
The broken line showing of the remainder of the laundry appliance is for environmental purposes only and forms no part of the claimed design.

**1 Claim, 6 Drawing Sheets**



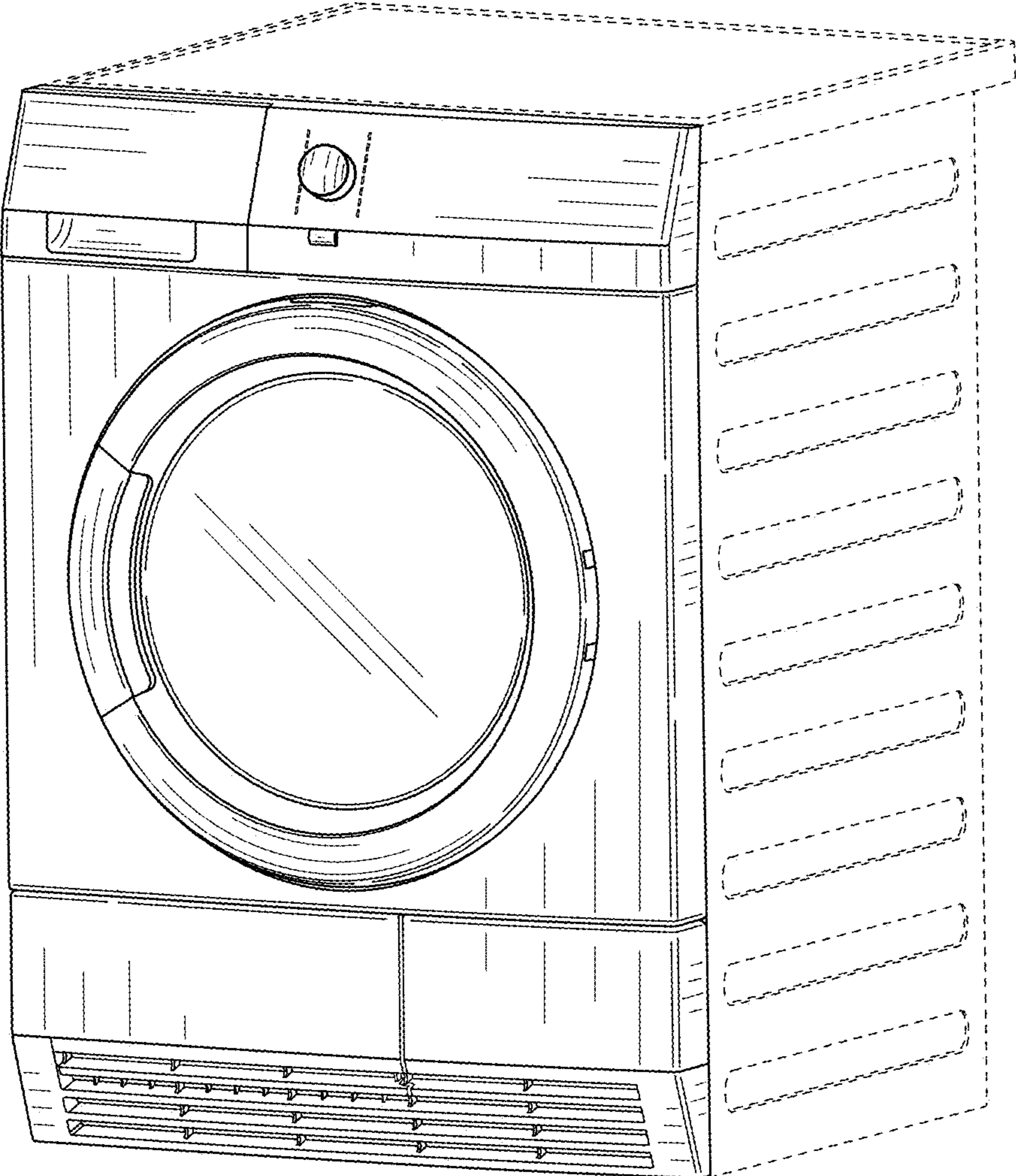


FIG. 1

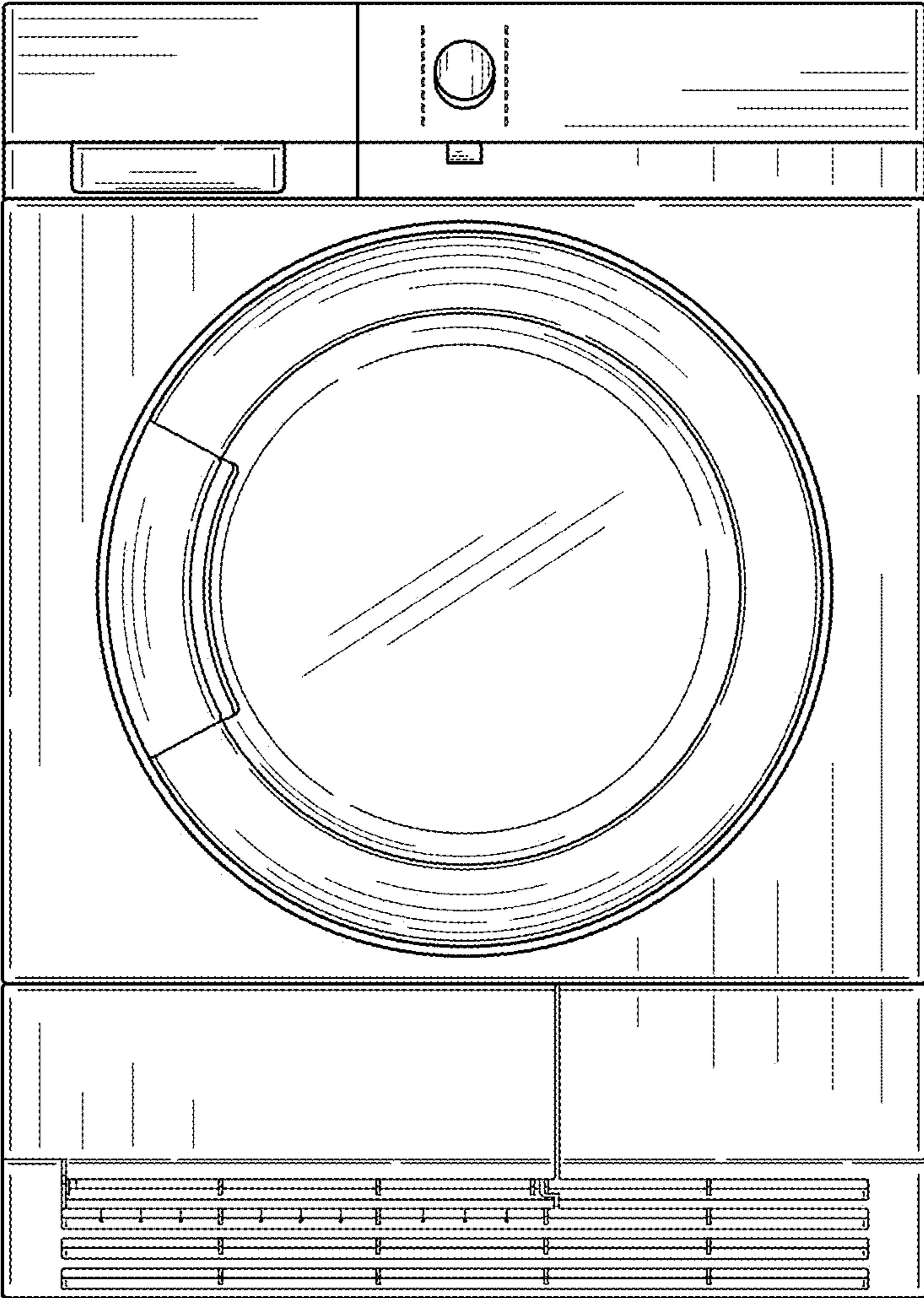


FIG. 2

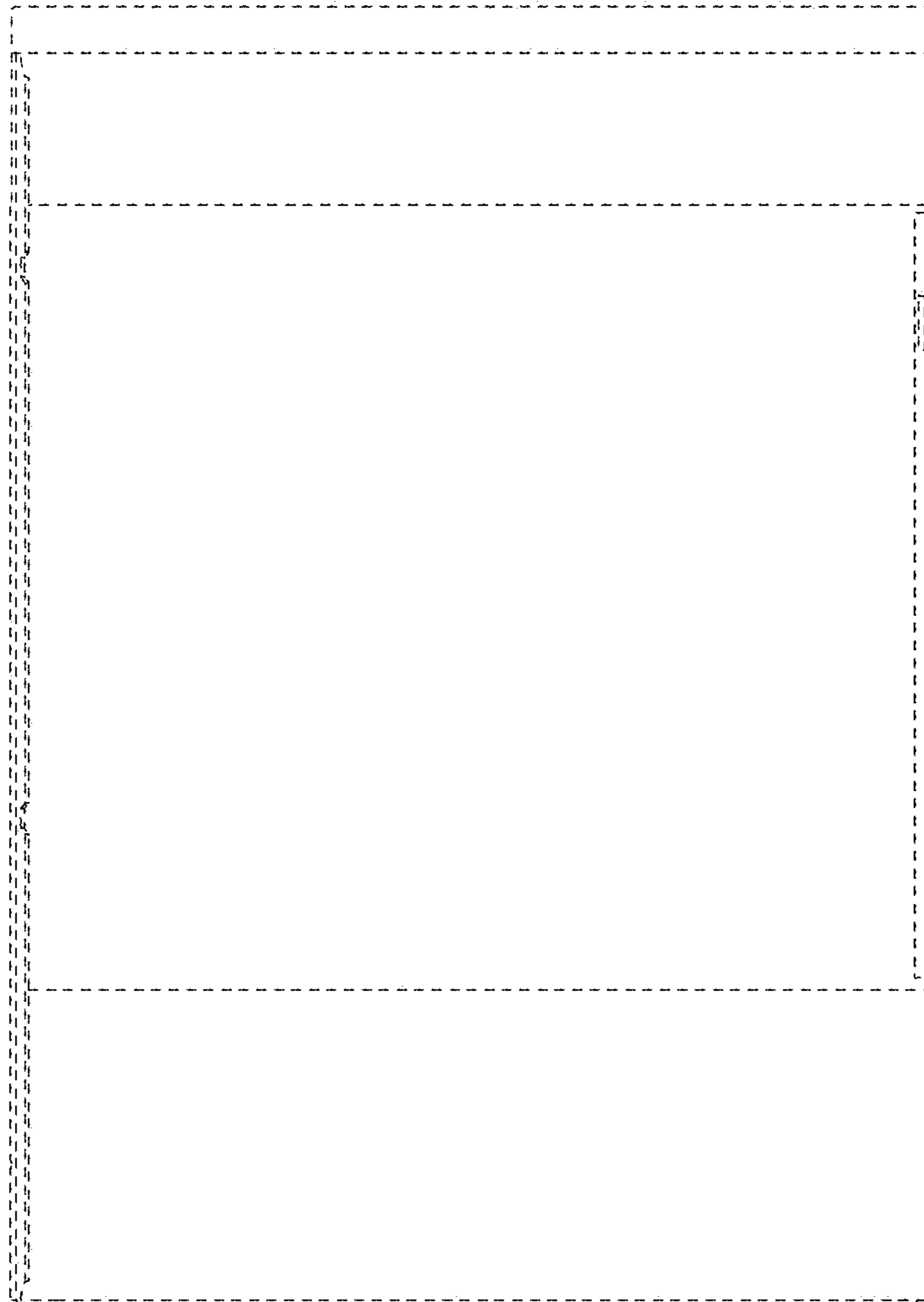


FIG. 3

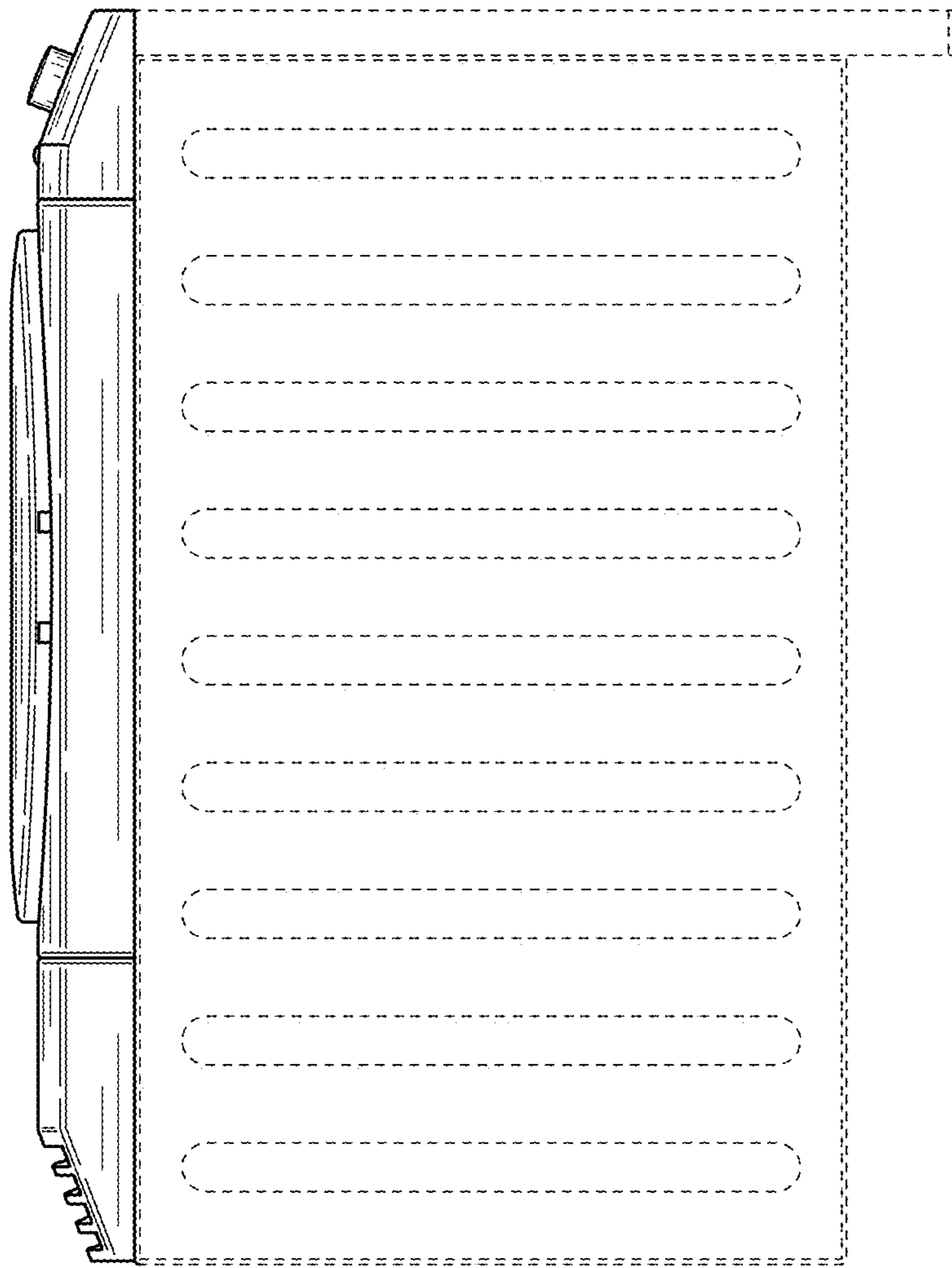


FIG. 4

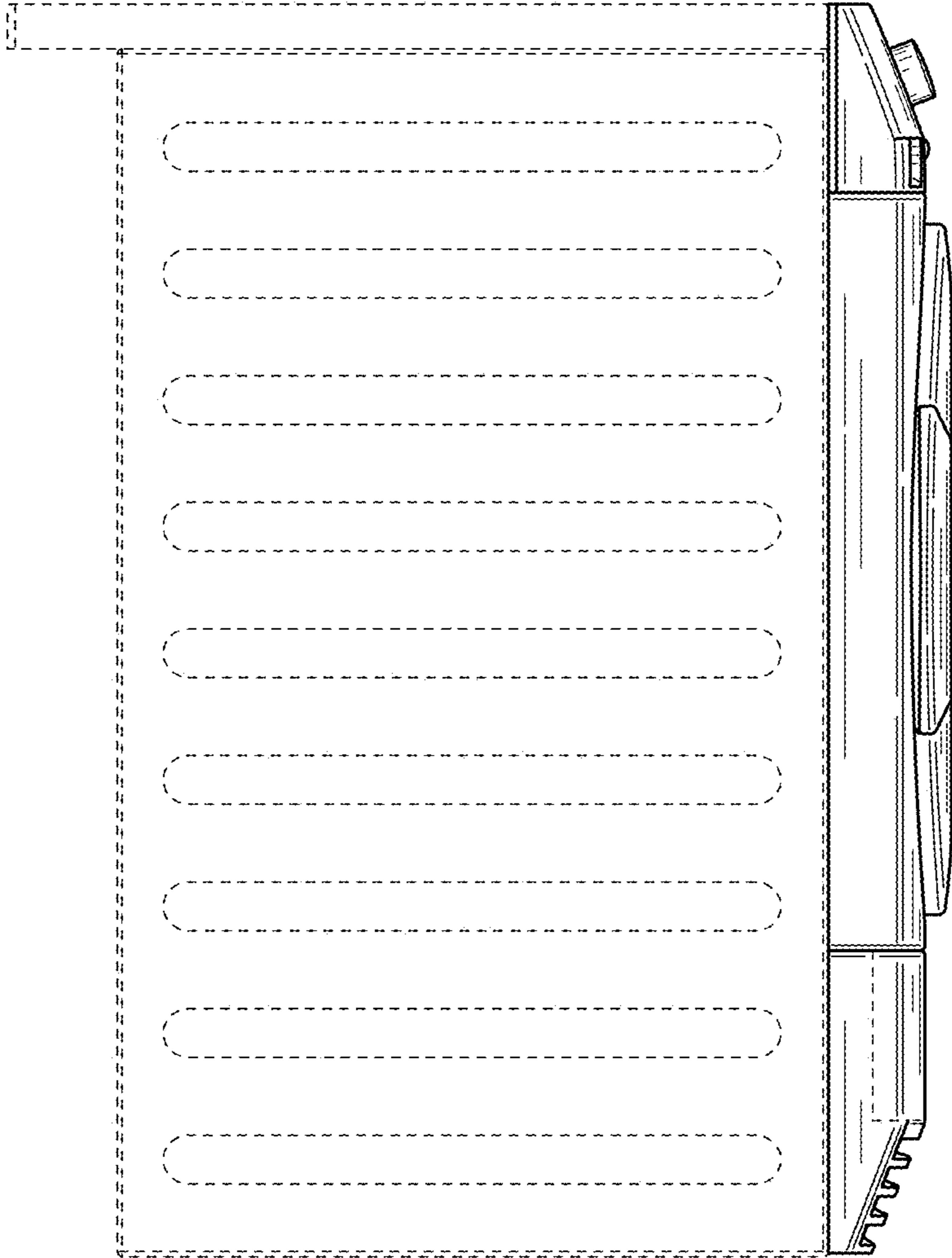


FIG. 5

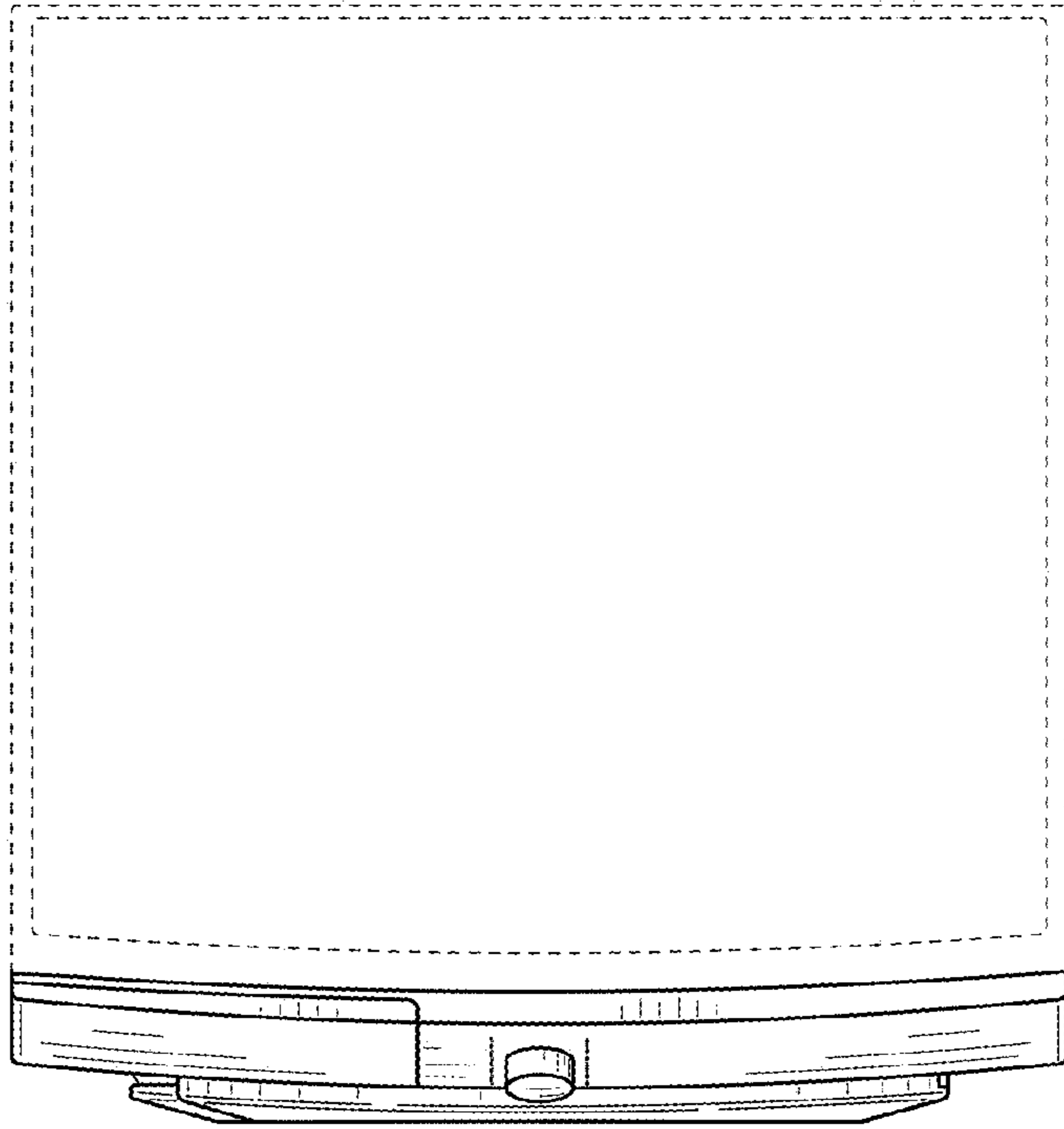


FIG. 6

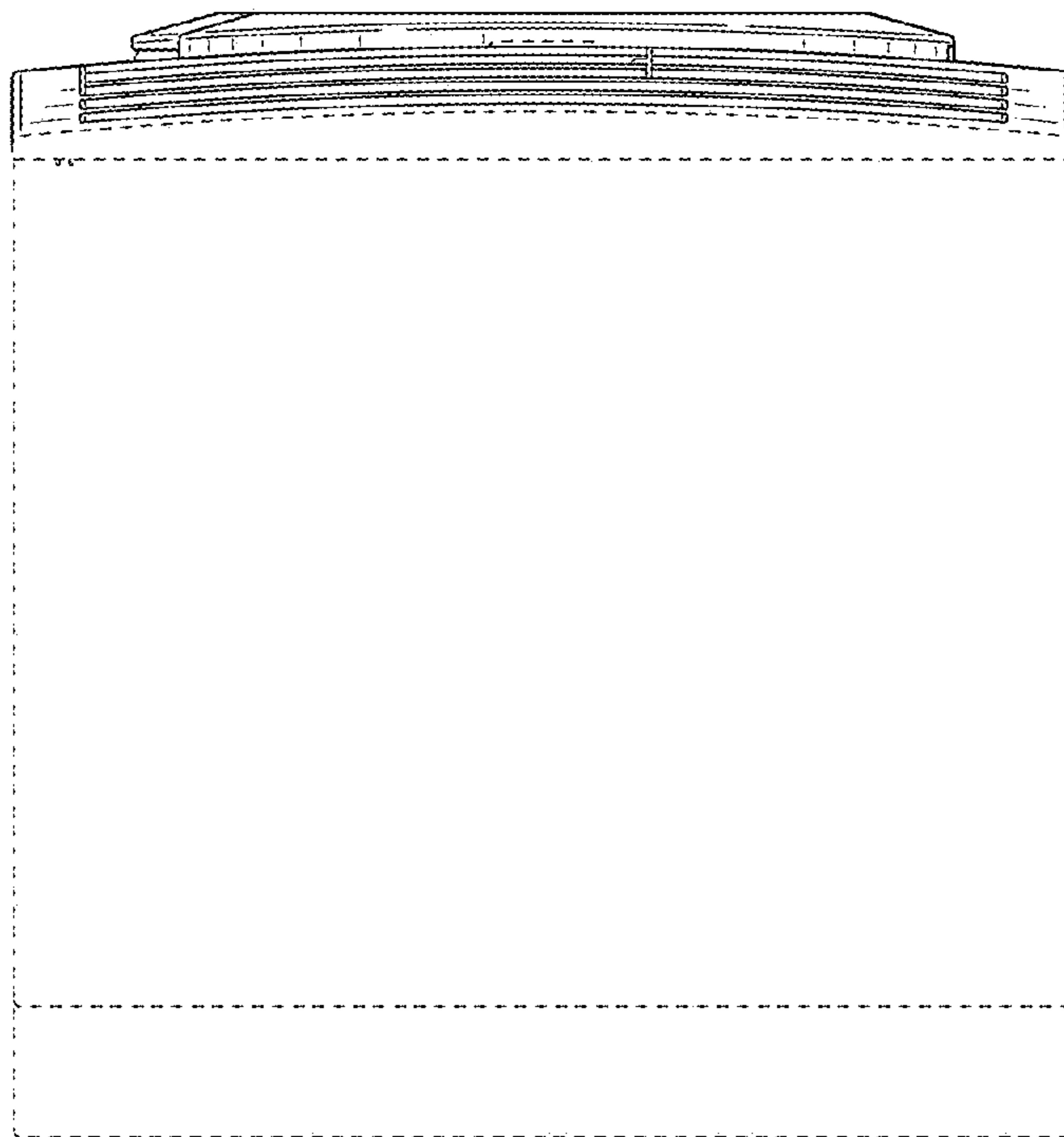


FIG. 7