



US00D692193S

(12) **United States Design Patent**  
**Baars**

(10) **Patent No.:** **US D692,193 S**

(45) **Date of Patent:** **\*\* Oct. 22, 2013**

(54) **RETRIEVAL, STORAGE, AND DISPOSAL APPARATUS**

(76) Inventor: **Bryan T Baars**, Pensacola, FL (US)

(\*\*) Term: **14 Years**

(21) Appl. No.: **29/412,984**

(22) Filed: **Feb. 9, 2012**

(51) **LOC (9) Cl.** ..... **30-99**

(52) **U.S. Cl.**  
USPC ..... **D30/162**

(58) **Field of Classification Search**

USPC ..... D30/161, 162, 199; D32/1, 15, 16, 17, D32/18, 19, 20, 21, 22, 23, 24, 35, 30, 38, D32/40, 49, 50, 51; D21/526; D24/108; D8/1, 2, 3, 40, 41, 51, 54, 107, 300; 294/1.3, 1.4, 1.5, 2, 3.5, 5.5, 7, 51, 52, 294/53.5, 54.5, 55, 55.5, 57, 58, 60, 120, 294/181, 190, 219, 173, 176, 177, 178, 179, 294/180, 209, 210, 211; 15/104.001, 105

See application file for complete search history.

(56) **References Cited**

**U.S. PATENT DOCUMENTS**

1,597,281	A *	8/1926	Mills	111/101
D206,859	S *	2/1967	Polizzi	D32/21
D298,875	S *	12/1988	Nakamura	D32/18
D307,656	S *	5/1990	Yuen	D32/22
4,995,661	A *	2/1991	Aurness et al.	294/1.4
D381,778	S *	7/1997	Semo	D30/162
D398,096	S *	9/1998	Gildersleeve	D32/22
D428,226	S *	7/2000	Kunkler	D32/45
D505,762	S *	5/2005	Lalanne et al.	D32/45
D514,267	S *	1/2006	Tsai	D32/45
D591,921	S *	5/2009	Rosenzweig et al.	D32/45
D602,218	S *	10/2009	Koenig et al.	D32/40
D656,283	S *	3/2012	Lavy	D32/45

D660,535	S *	5/2012	Menius	D32/51
D662,268	S *	6/2012	Pearcey	D30/162
D663,906	S *	7/2012	Pallant	D30/162
D665,954	S *	8/2012	Diehl	D30/162
D682,417	S *	5/2013	Csok	D24/108
2009/0050065	A1	2/2009	Evans et al.	
2009/0200812	A1 *	8/2009	Mambro	294/1.4
2012/0256430	A1 *	10/2012	Merino-Garcia	294/1.3

**FOREIGN PATENT DOCUMENTS**

JP 2007306827 A 11/2007

\* cited by examiner

*Primary Examiner* — Ian Simmons

*Assistant Examiner* — Shannon Weekley

(74) *Attorney, Agent, or Firm* — Luedeka Neely Group, P.C.

(57) **CLAIM**

The ornamental design for a retrieval, storage, and disposal apparatus, as shown and described.

**DESCRIPTION**

FIG. 1 is a perspective view of the retrieval, storage, and disposal apparatus shown in the open position showing my new design;

FIG. 2 is a left side elevational view thereof;

FIG. 3 is a right side elevational view thereof;

FIG. 4 is a front side elevational view thereof;

FIG. 5 is rear side elevational view thereof;

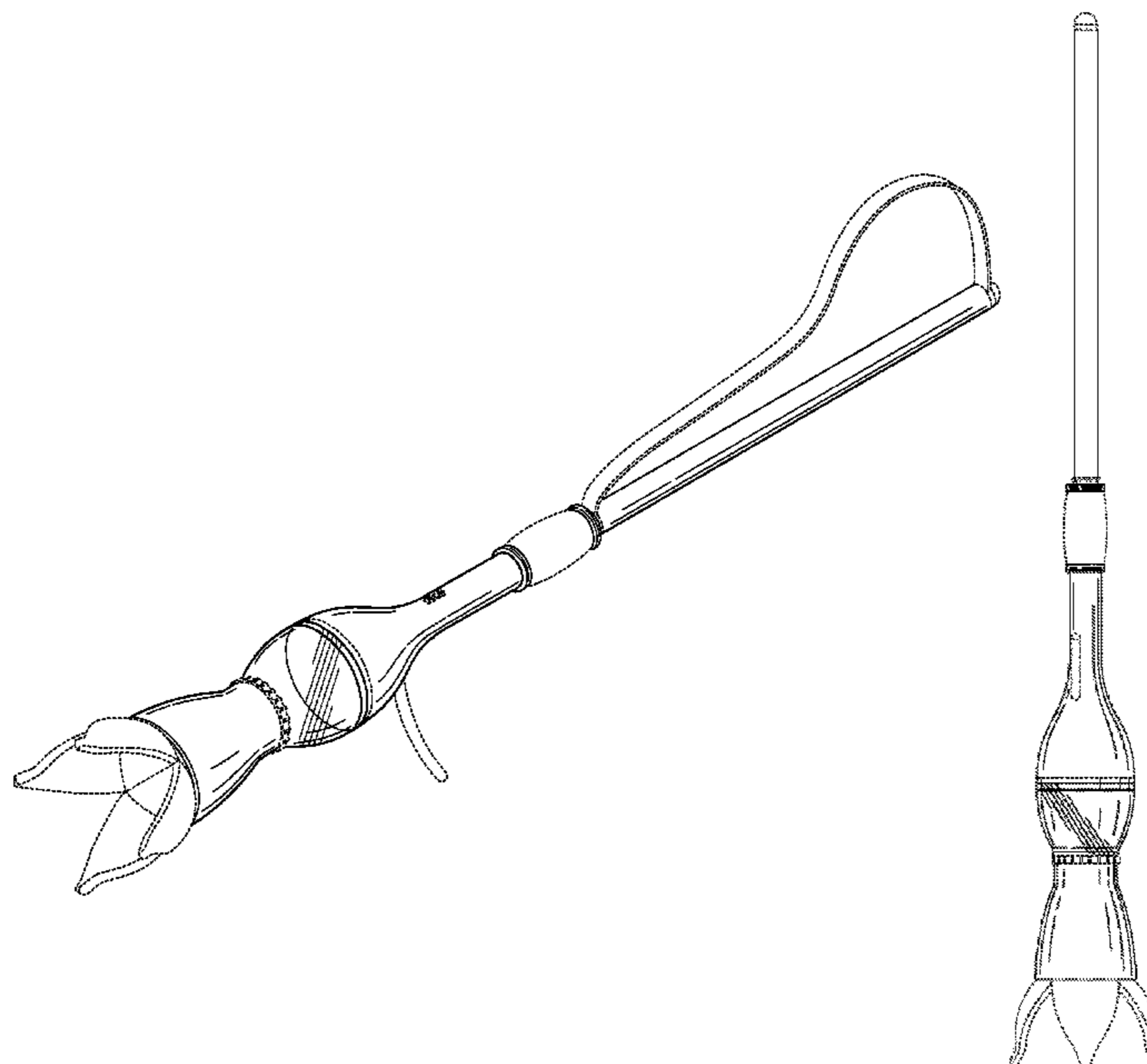
FIG. 6 is a top plan view thereof;

FIG. 7 is a bottom plan view thereof; and,

FIG. 8 is a perspective view of the retrieval, storage, and disposal apparatus of FIG. 1 shown in the closed position.

The broken lines shown in FIGS. 1-8 of the retrieval, storage, and disposal apparatus are for the purpose of illustrating environment, and form no part of the claimed design.

**1 Claim, 5 Drawing Sheets**



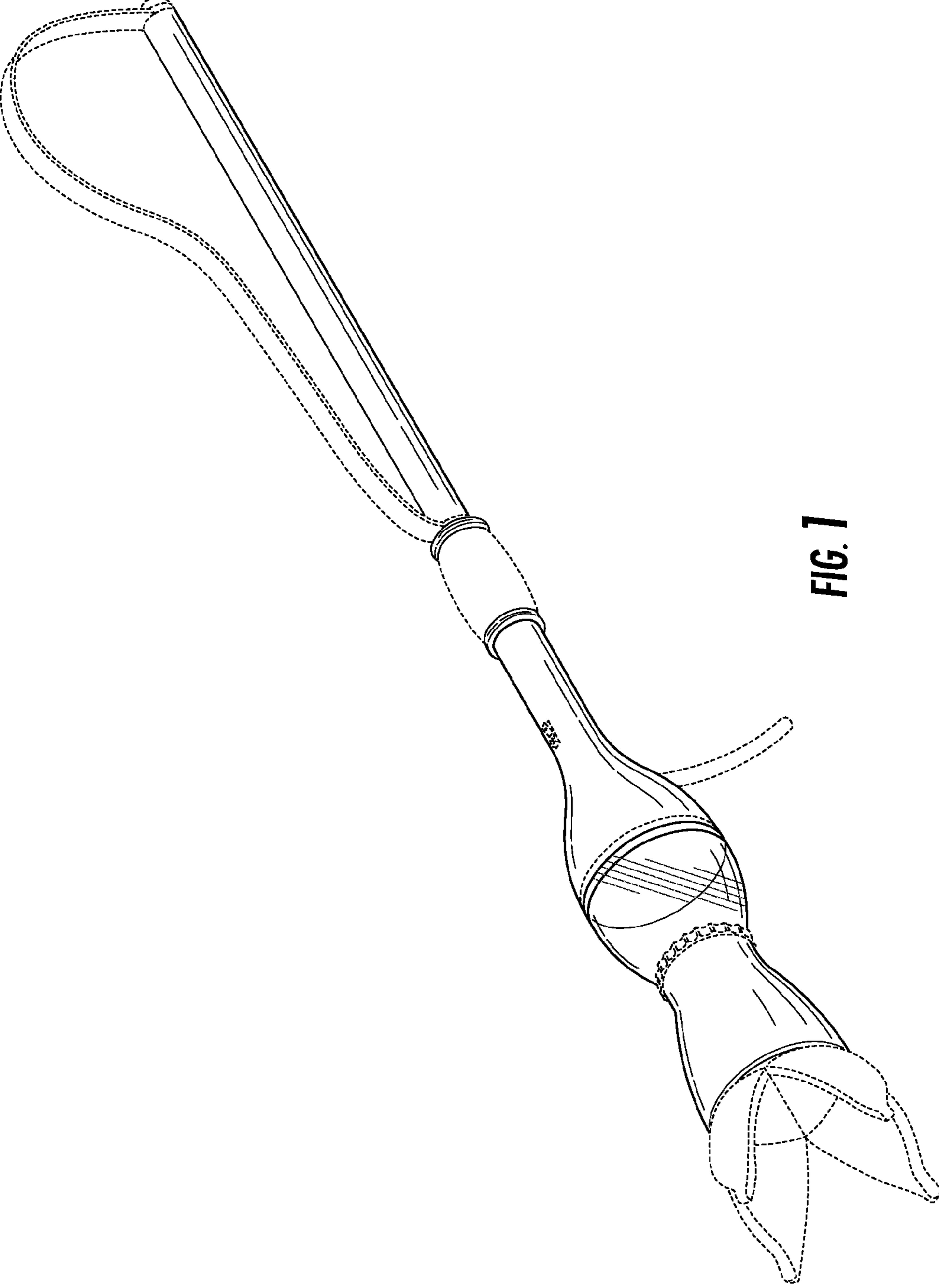
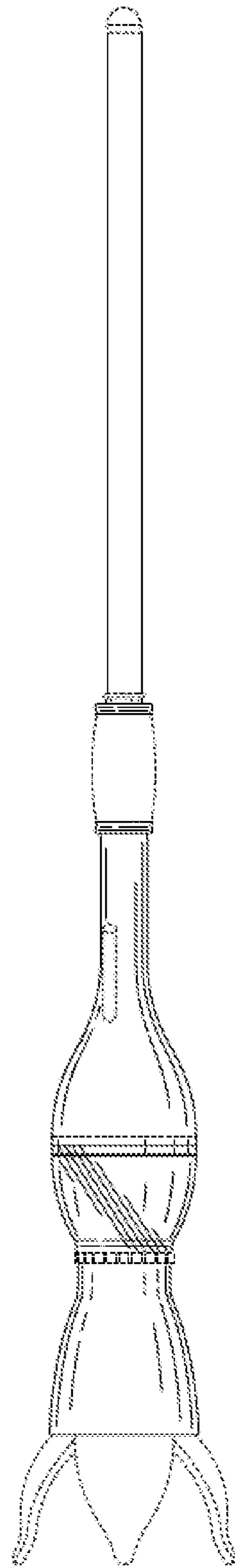
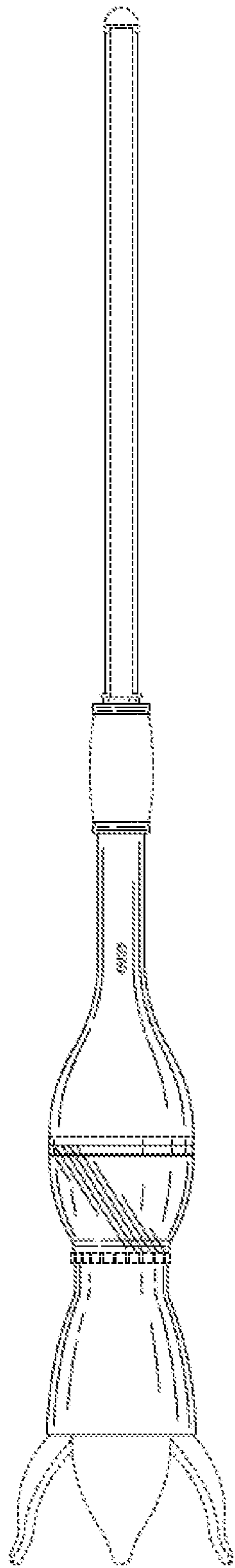


FIG. 1



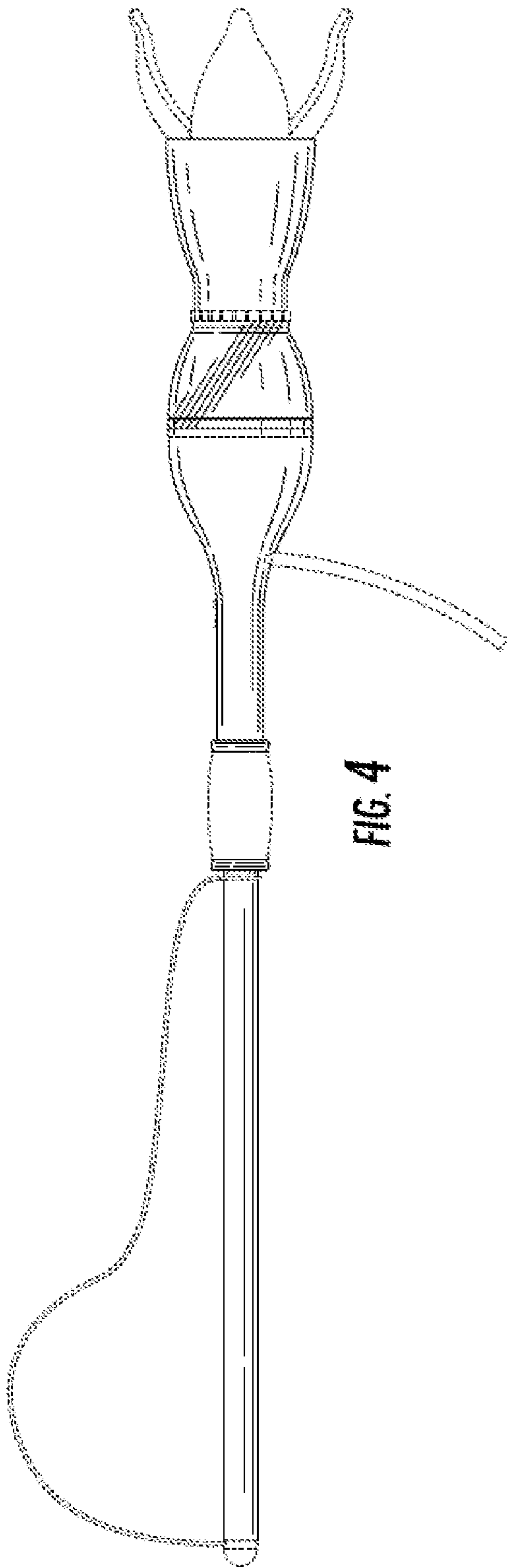


FIG. 4

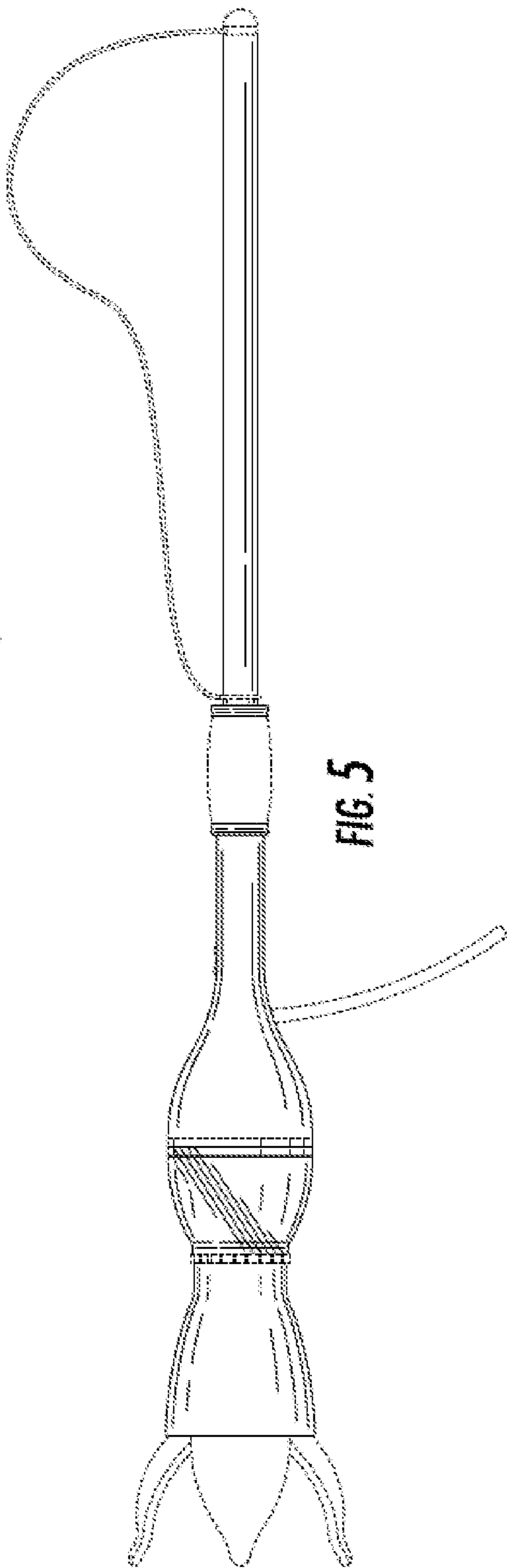
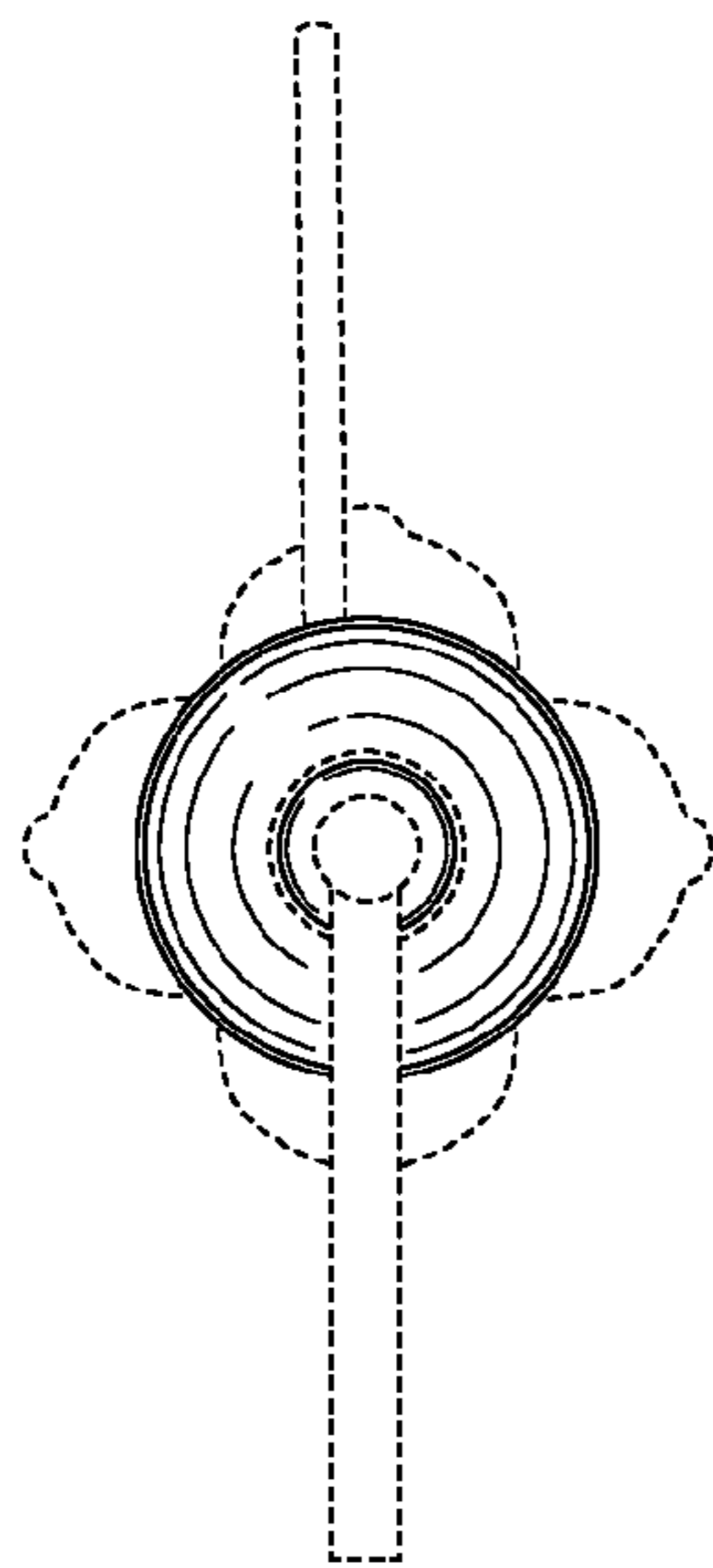
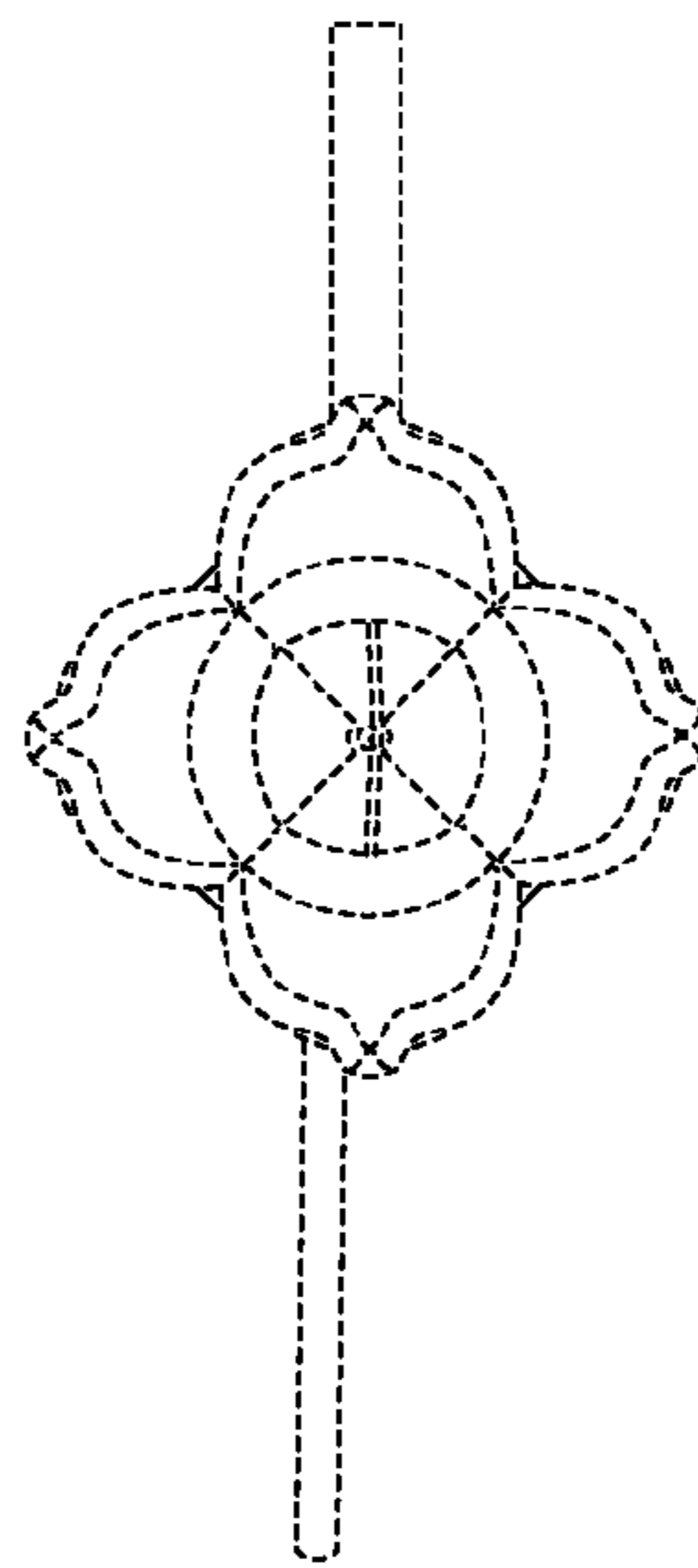


FIG. 5



**FIG. 6**



**FIG. 7**

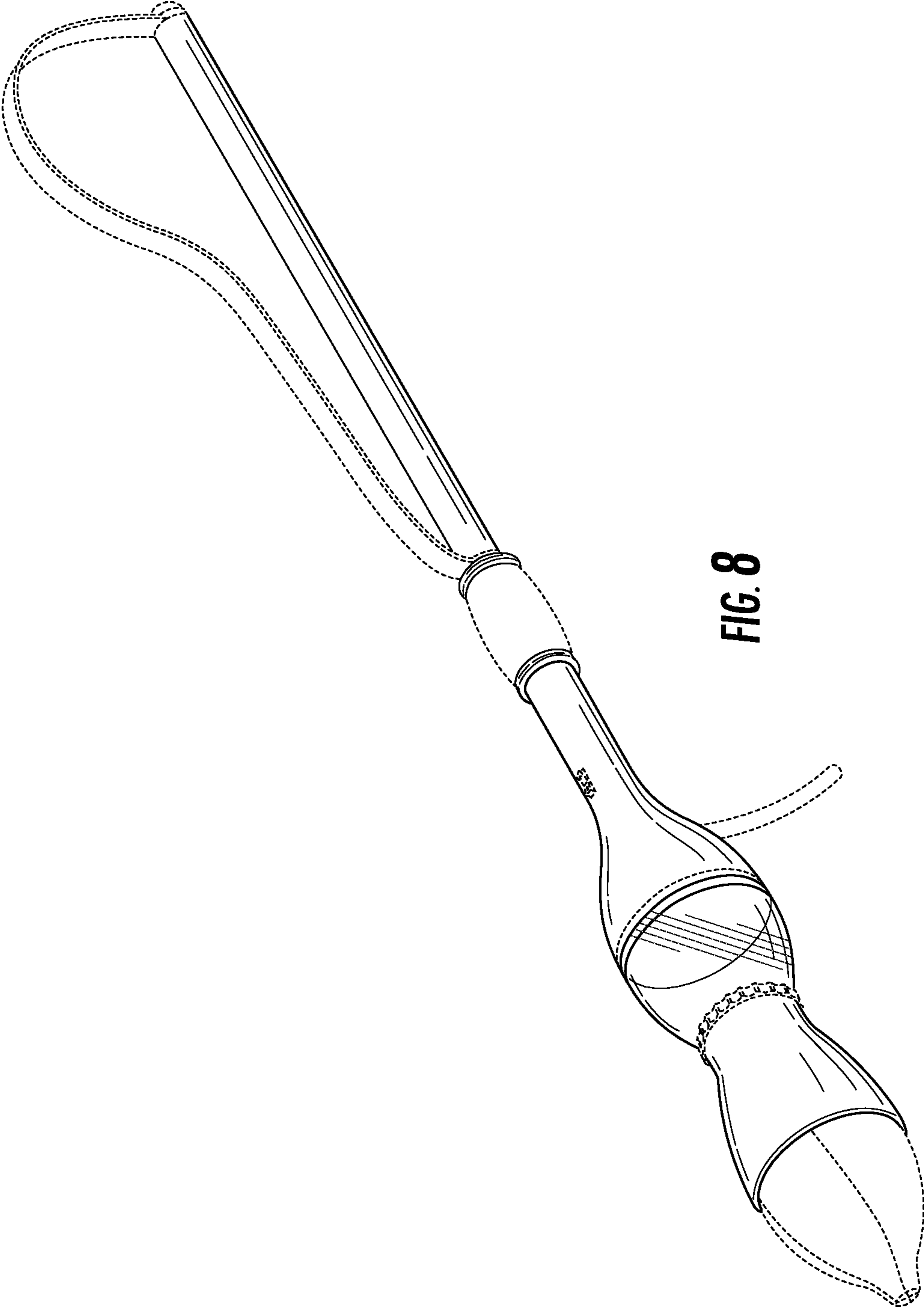


FIG. 8