



US00D692192S

(12) **United States Design Patent**  
**Graves et al.**

(10) **Patent No.:** **US D692,192 S**

(45) **Date of Patent:** **\*\* Oct. 22, 2013**

(54) **PORTABLE PET TOILET**

(71) Applicants: **Chris Graves**, Lewisville, TX (US);  
**Tatiana Amenti Abud**, Lewisville, TX (US)

(72) Inventors: **Chris Graves**, Lewisville, TX (US);  
**Tatiana Amenti Abud**, Lewisville, TX (US)

(\*\*) Term: **14 Years**

(21) Appl. No.: **29/436,352**

(22) Filed: **Nov. 5, 2012**

(51) **LOC (9) Cl.** ..... **30-99**

(52) **U.S. Cl.**  
USPC ..... **D30/161**

(58) **Field of Classification Search**  
USPC ..... D30/111, 112, 118, 161, 199; 119/28.5,  
119/161, 163-170  
See application file for complete search history.

(56) **References Cited**

**U.S. PATENT DOCUMENTS**

3,154,052	A *	10/1964	Sweeney	119/168
3,233,588	A *	2/1966	Thomas	119/166
4,779,567	A *	10/1988	Smith	119/165
4,807,563	A *	2/1989	Berry et al.	119/168
4,967,692	A *	11/1990	Mills	119/168
4,976,218	A *	12/1990	Cirami	119/168
5,007,530	A *	4/1991	Weismantel	119/168
5,035,205	A *	7/1991	Schiller et al.	119/168
5,080,046	A *	1/1992	Cassone	119/168
5,211,134	A *	5/1993	Bolo, III	119/168
D340,323	S *	10/1993	Wagner	D30/161
D372,565	S *	8/1996	Rice	D30/161
D421,161	S *	2/2000	Rogers	D30/161
6,382,131	B1 *	5/2002	McGivern	119/165

D539,663	S *	4/2007	Jovetic et al.	D9/600
D604,631	S *	11/2009	Duncan	D9/600
D607,281	S *	1/2010	Meyers	D7/551.3

**OTHER PUBLICATIONS**

<http://www.olympicveterinary.com/Olympic-Clean-Catch-a/145.htm>; 2012.\*

\* cited by examiner

*Primary Examiner* — Cathy A MacCormac

(74) *Attorney, Agent, or Firm* — Amanda K. Jenkins; Carstens & Cahoon, LLP

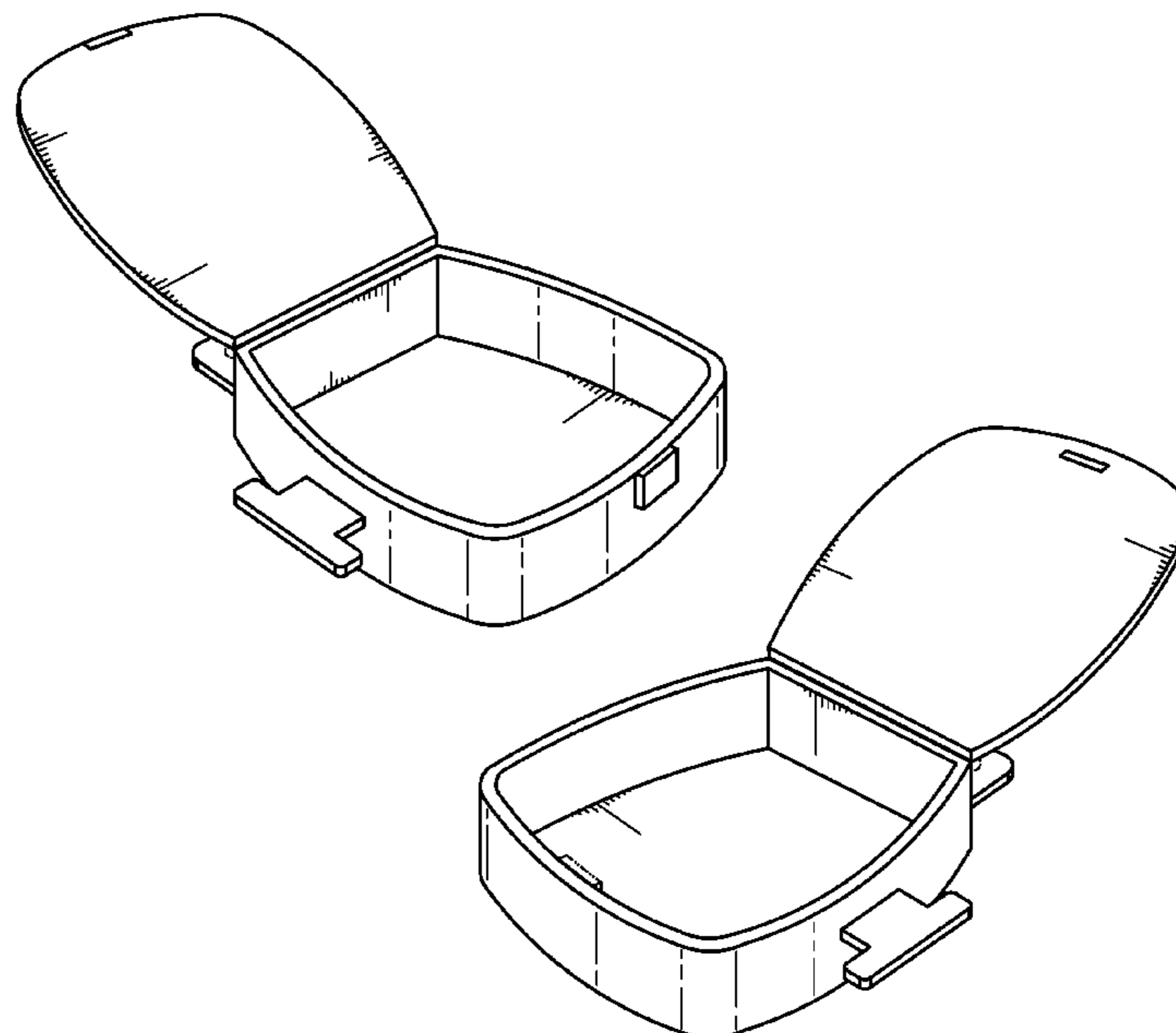
(57) **CLAIM**

The ornamental design for a portable pet toilet, as shown and described.

**DESCRIPTION**

FIG. 1 is a left perspective view of the portable pet toilet of the present invention;  
 FIG. 2 is a right perspective view thereof;  
 FIG. 3 is another right perspective view thereof showing its intended use;  
 FIG. 4 is a top plan view thereof showing the cover in closed position;  
 FIG. 5 is a bottom plan view of FIG. 4;  
 FIG. 6 is a left elevation view of FIG. 4;  
 FIG. 7 is a right elevation view of FIG. 4;  
 FIG. 8 is a front elevation view of FIG. 4;  
 FIG. 9 is a back elevation view of FIG. 4.  
 FIG. 10 is a left perspective view of a second embodiment of the present invention;  
 FIG. 11 is a right side elevation view of FIG. 10;  
 FIG. 12 is a bottom plan view of FIG. 10 showing the cover in closed position; and,  
 FIG. 13 is a front elevation view of FIG. 12.  
 The broken lines are for illustration only and form no part of the claimed design.

**1 Claim, 6 Drawing Sheets**



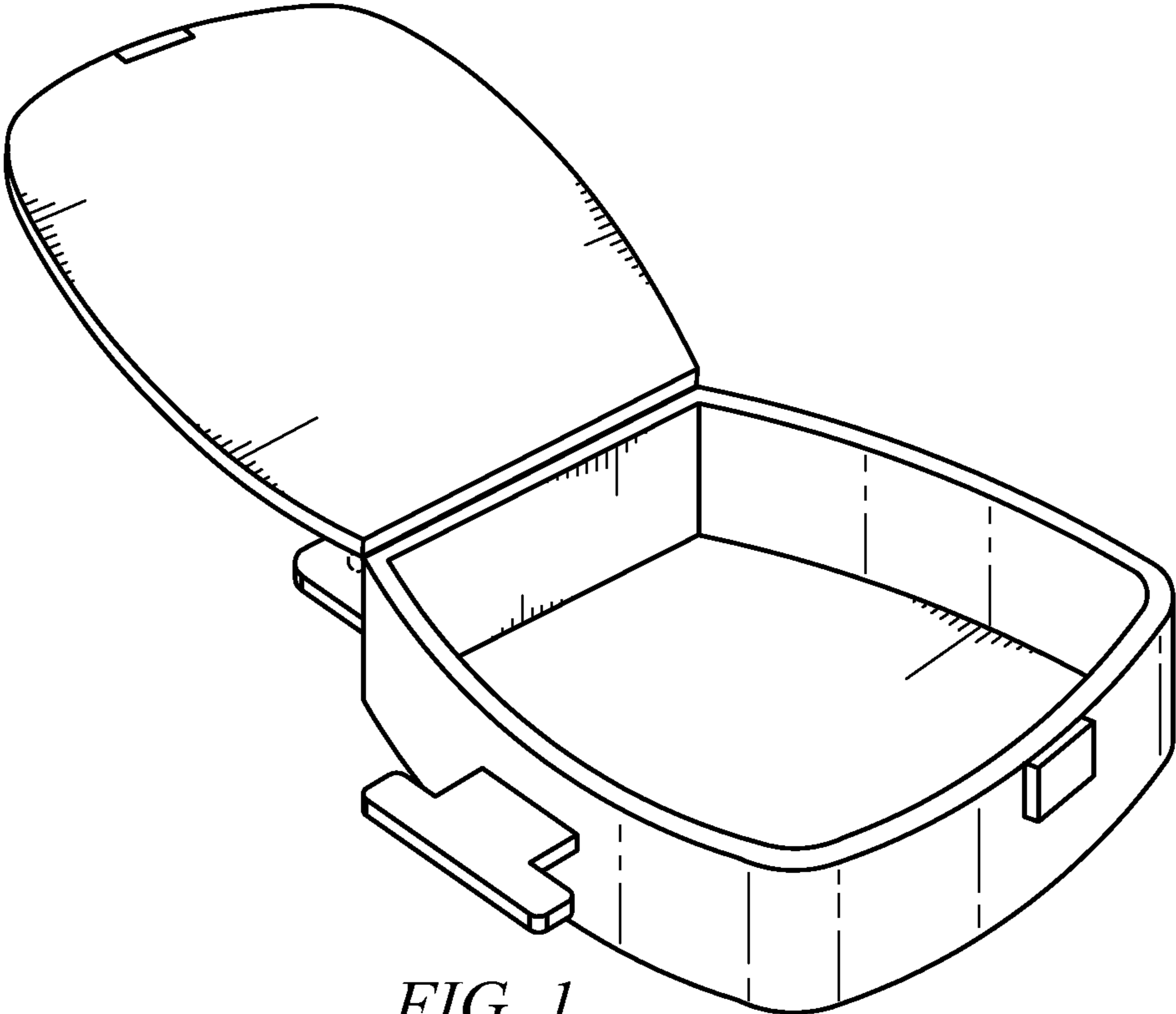


FIG. 1

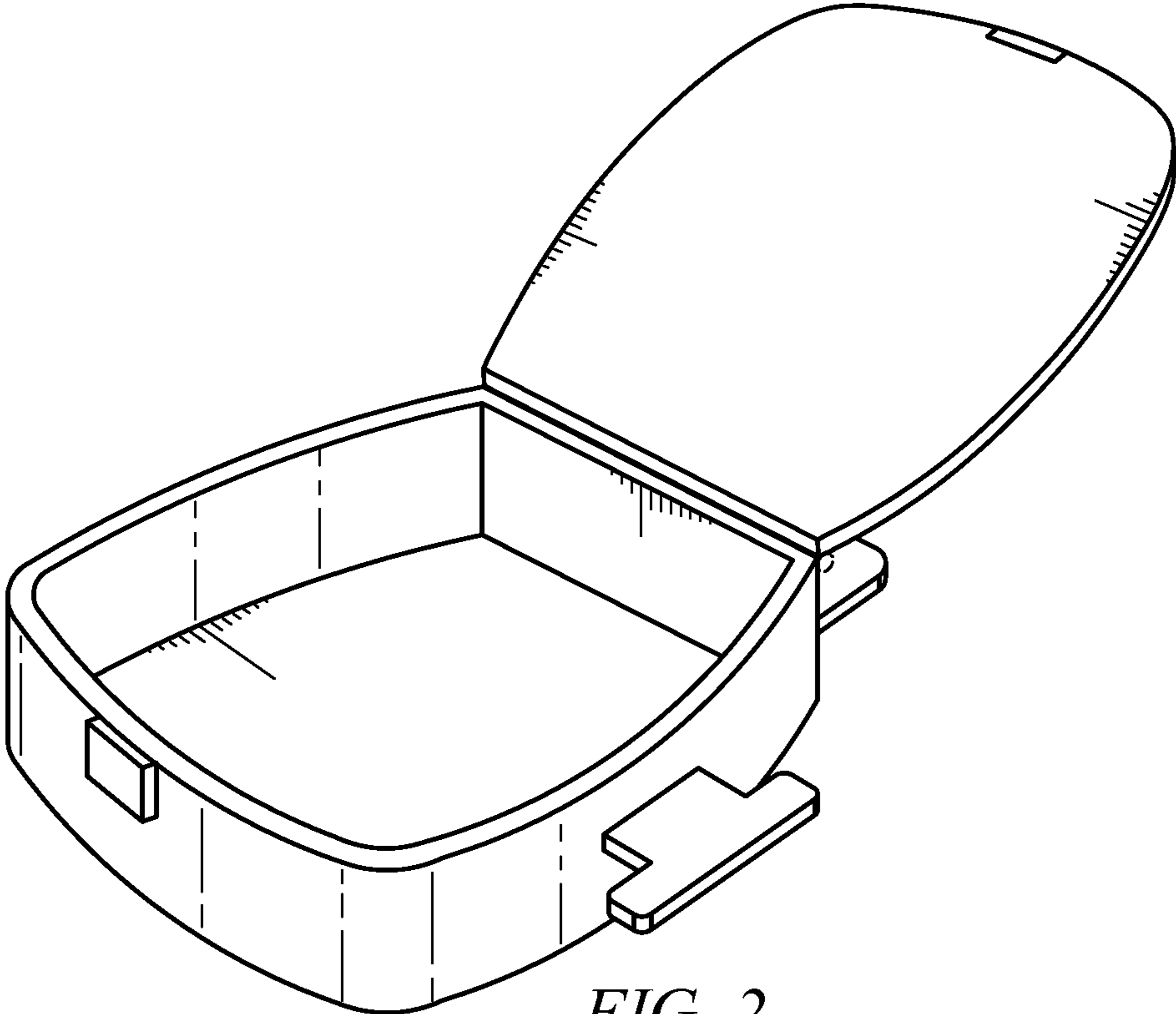


FIG. 2

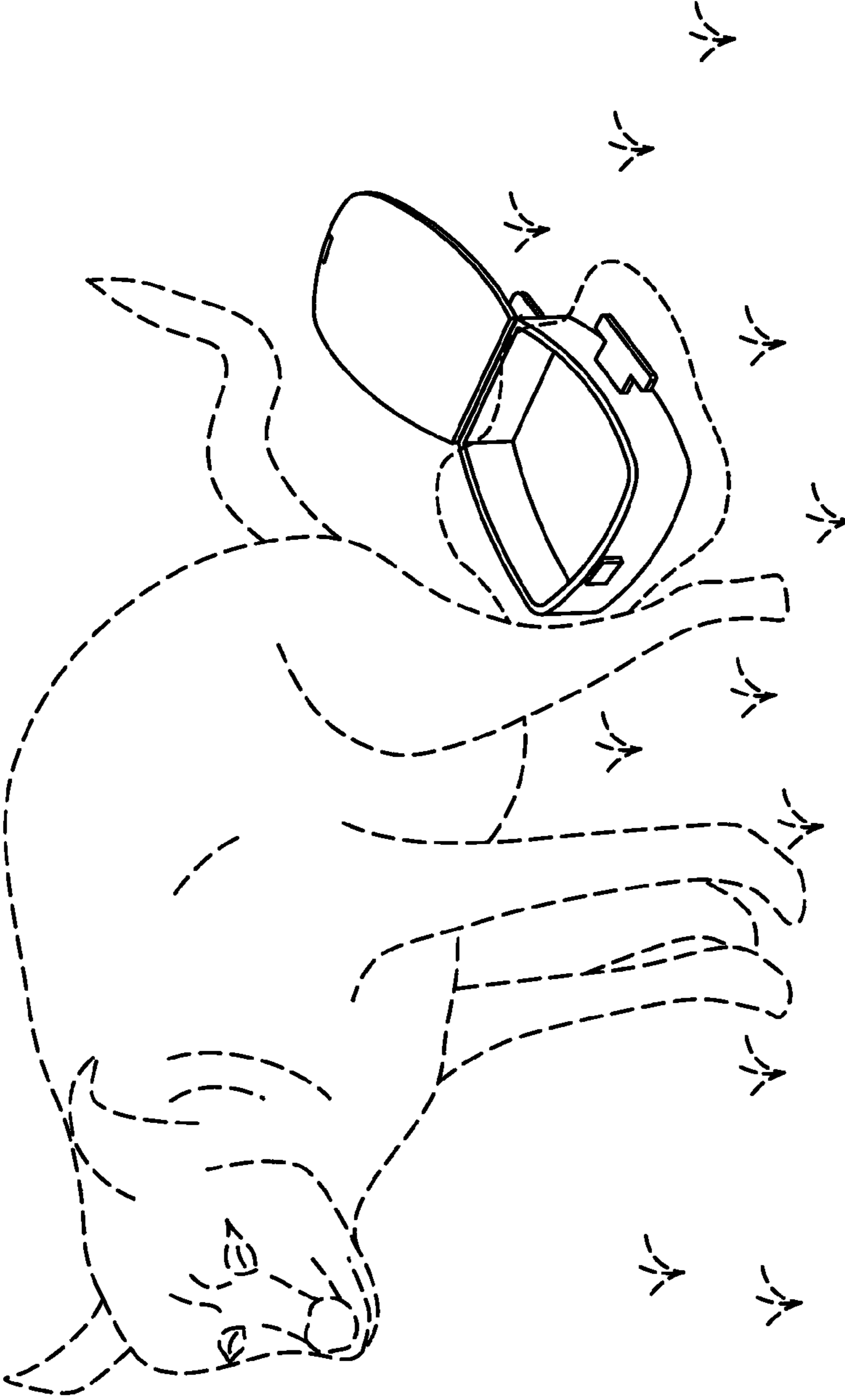


FIG. 3

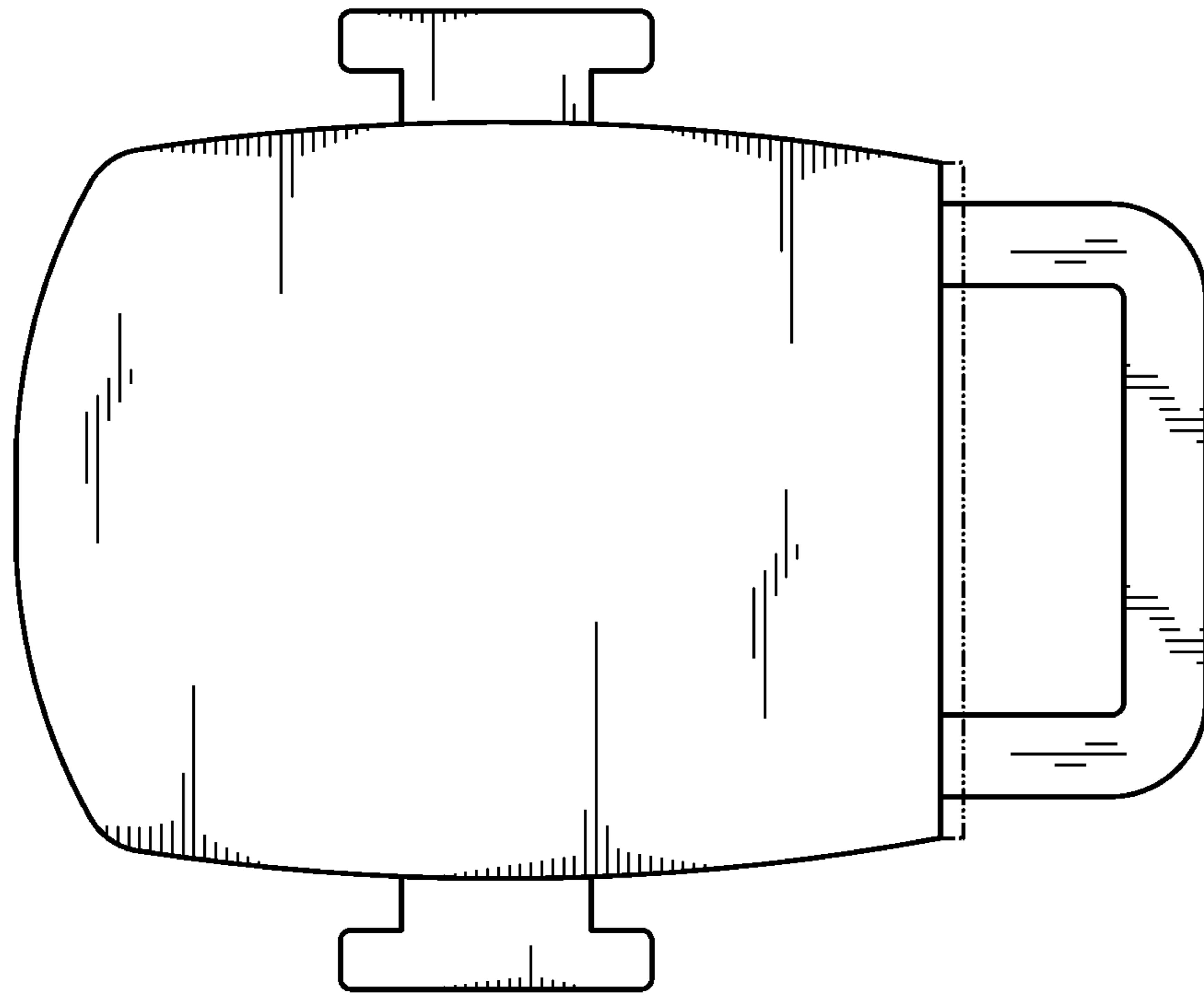


FIG. 4

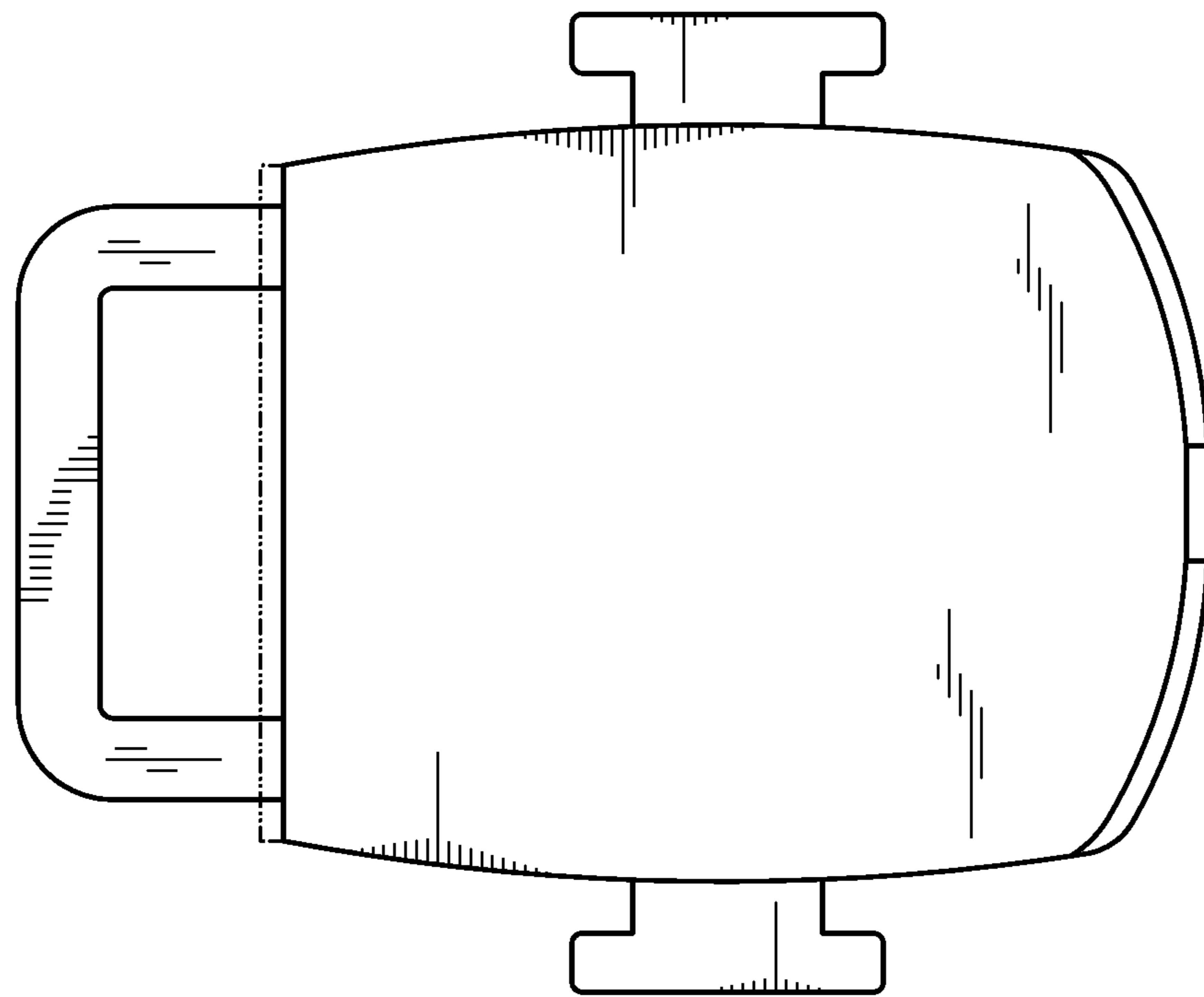


FIG. 5

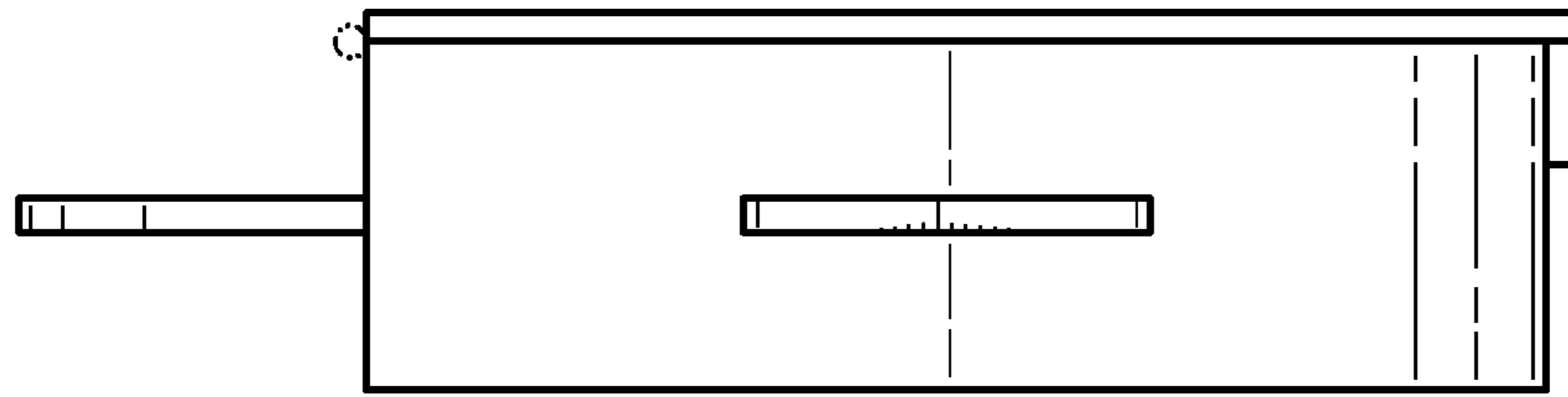


FIG. 6

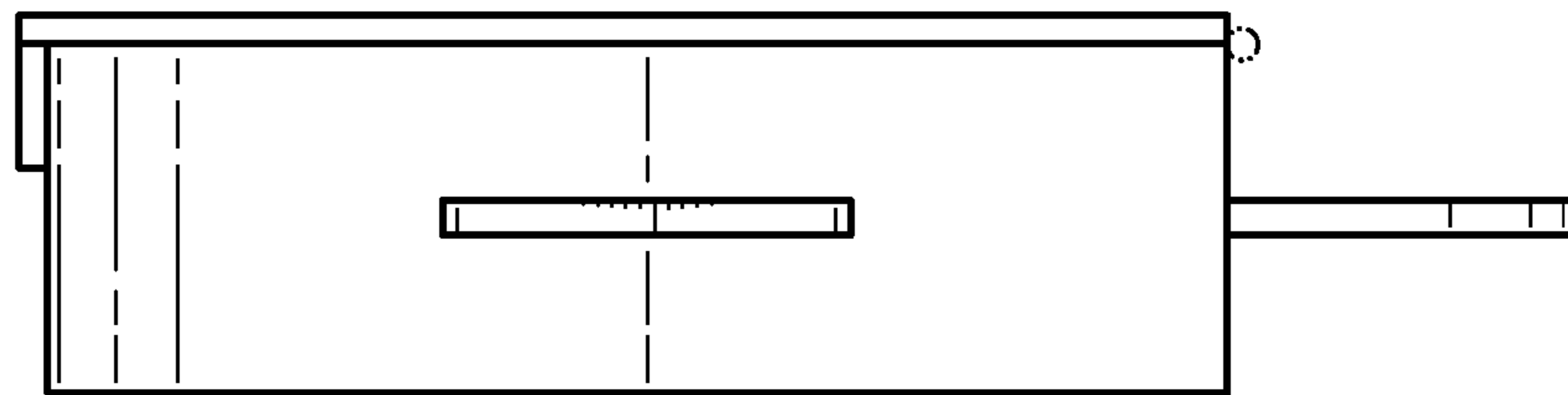


FIG. 7

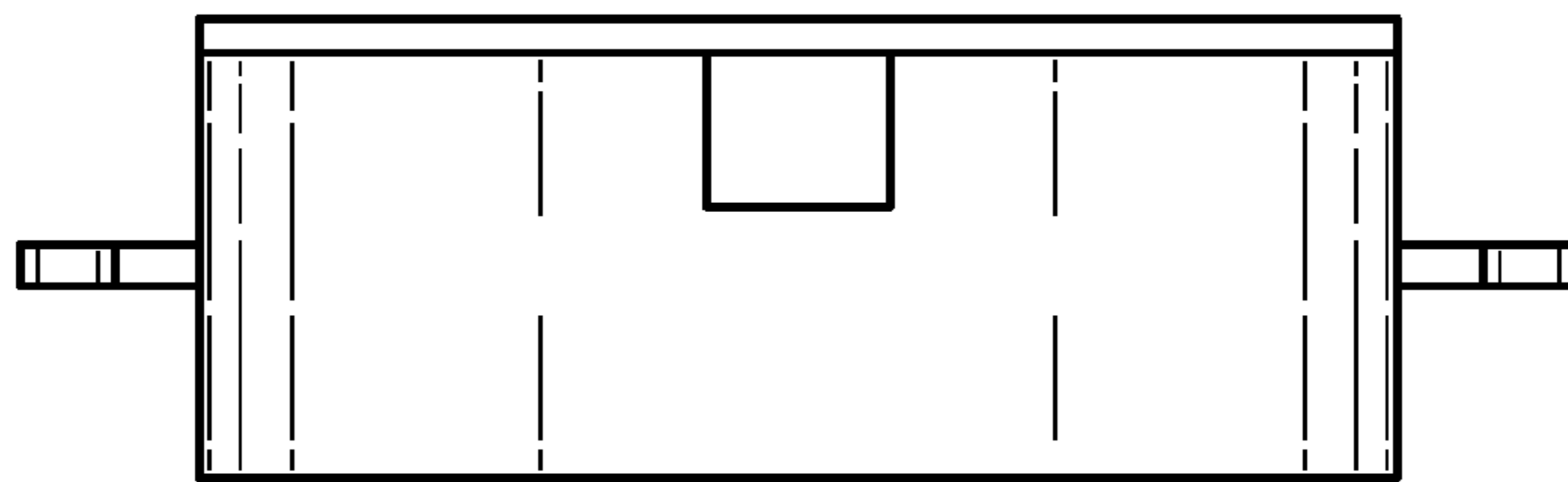


FIG. 8

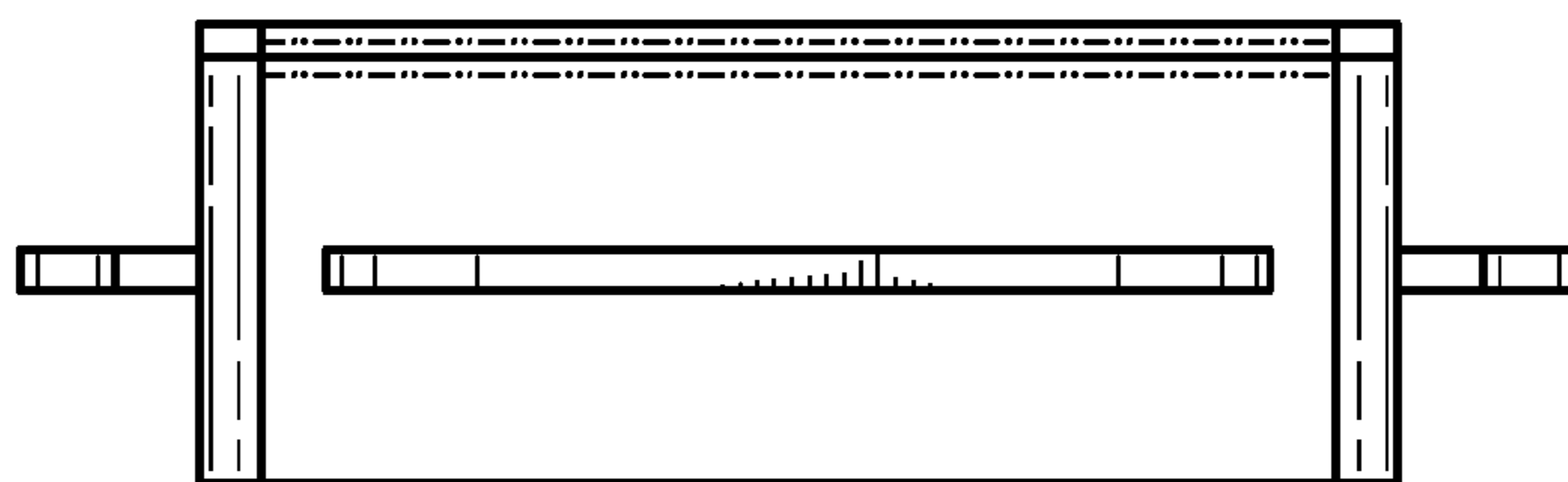


FIG. 9

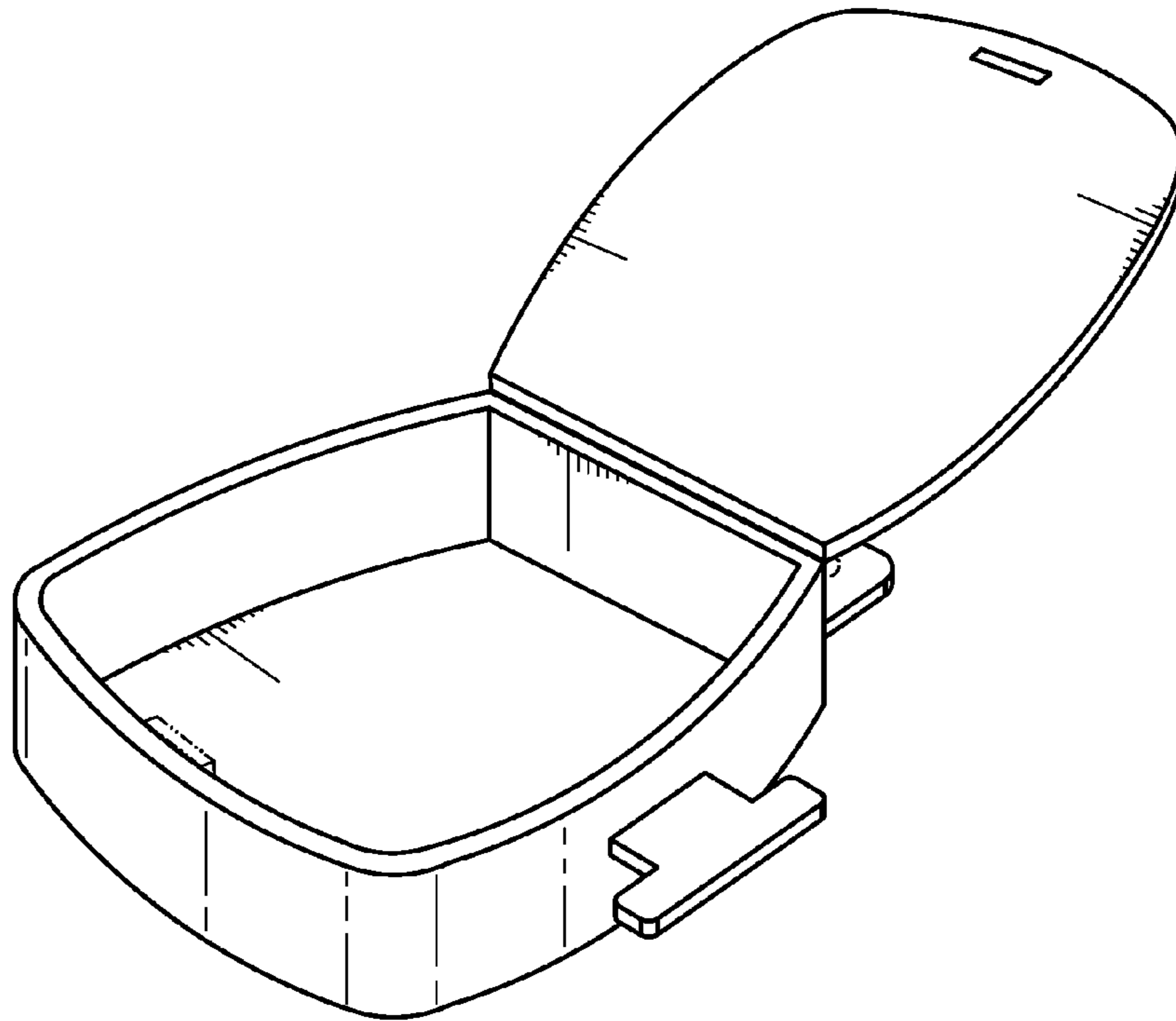


FIG. 10

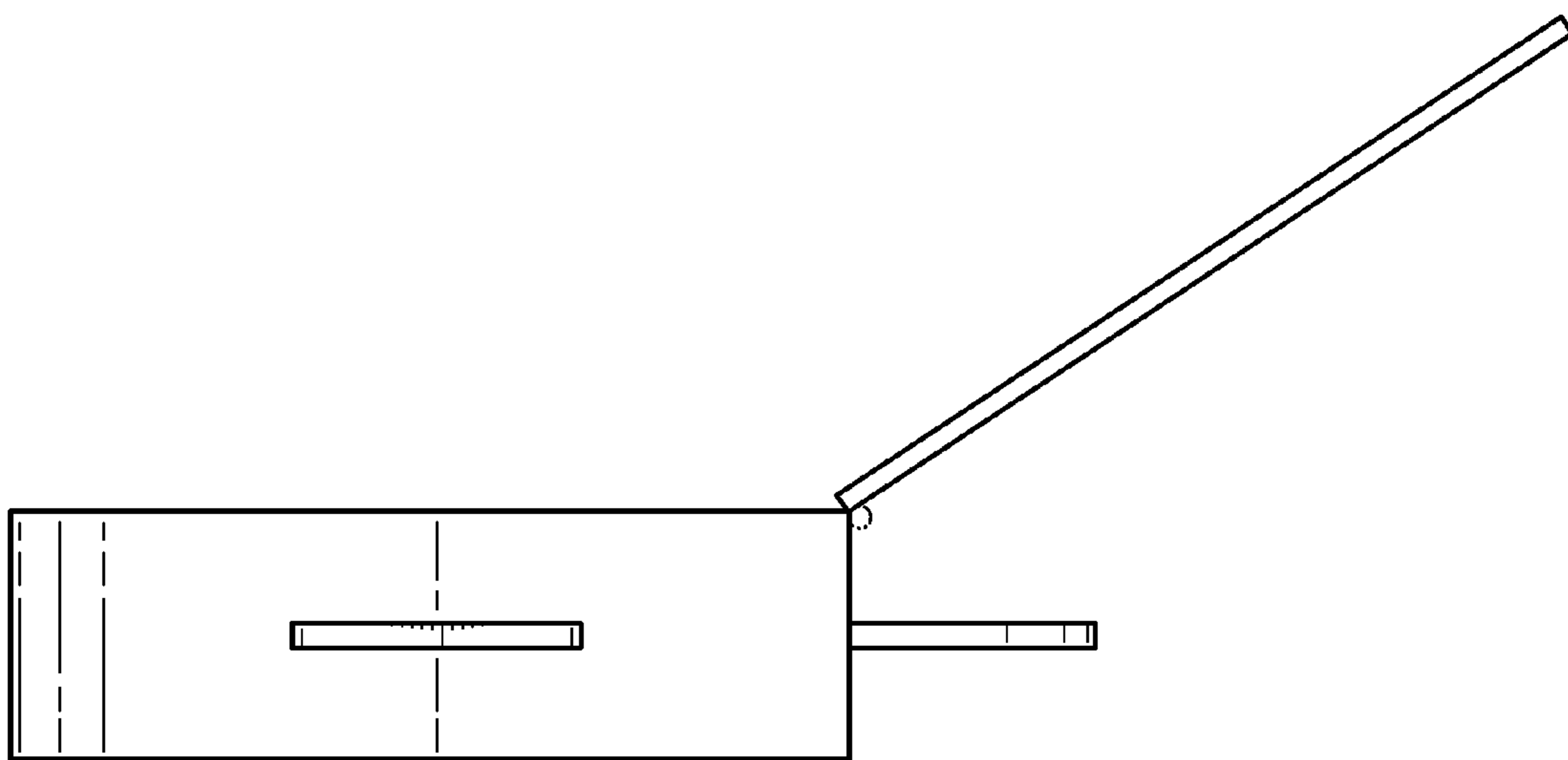
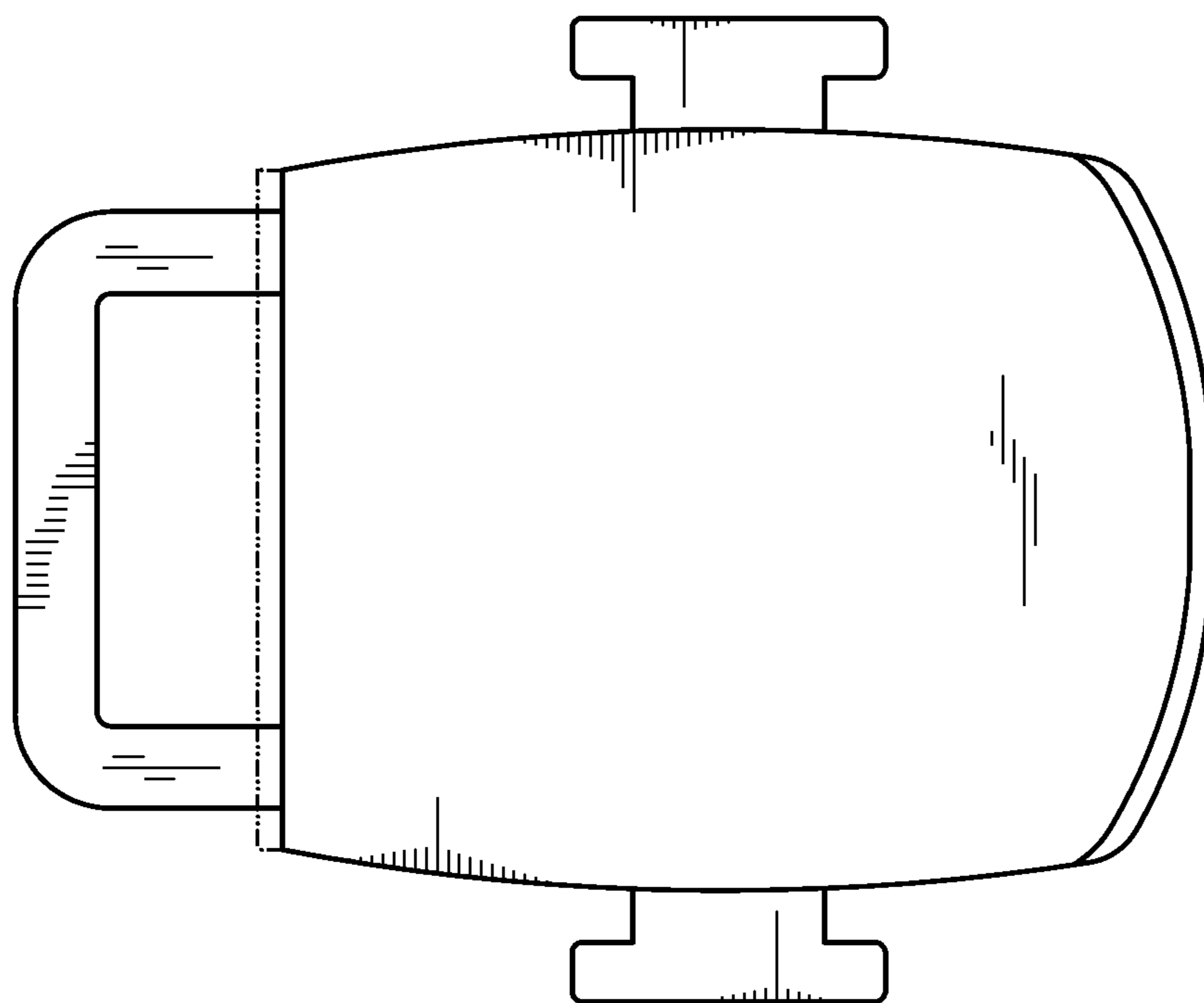


FIG. 11



*FIG. 12*



*FIG. 13*