

US00D692191S

(12) **United States Design Patent**
Stephens et al.

(10) **Patent No.:** **US D692,191 S**
(45) **Date of Patent:** **** Oct. 22, 2013**

(54) **BIRD FEEDER**

(71) Applicant: **EBSCO Industries, Inc.**, Birmingham, AL (US)

(72) Inventors: **Bart W. R. Stephens**, Birmingham, AL (US); **Howard Unger**, Henderson, NV (US)

(73) Assignee: **EBSCO Industries, Inc.**, Birmingham, AL (US)

(**) Term: **14 Years**

(21) Appl. No.: **29/437,938**

(22) Filed: **Nov. 21, 2012**

(51) **LOC (9) Cl.** **30-03**

(52) **U.S. Cl.**
USPC **D30/127**

(58) **Field of Classification Search**
USPC D30/121, 124, 126-129, 133, 199, D30/110-112, 123, 125, 119; 119/52.2, 119/51.5, 61.5, 57.8, 57.9, 52.3, 61.1, 531, 119/63, 428-435, 52.4, 55, 61.3, 69.5, 75, 119/76; 47/67, 83; 248/318; D11/164, 152; 211/128.1; D27/123; D6/495, 460, D6/461, 476, 405

See application file for complete search history.

(56) **References Cited**

U.S. PATENT DOCUMENTS

694,760 A * 3/1902 Lathrop 119/51.5
1,251,935 A * 1/1918 Stevens 119/77
1,450,175 A * 4/1923 Honsinger 119/52.1
2,097,719 A * 11/1937 Brembeck 119/80
D115,321 S * 6/1939 Pueschel D30/128
2,298,398 A * 10/1942 Marshaus 119/51.5

2,591,459 A * 4/1952 Meany 119/52.1
3,040,705 A * 6/1962 Schlitz 119/51.01
3,136,296 A * 6/1964 Luin 119/52.2
3,292,589 A * 12/1966 Williams 119/77
3,301,220 A * 1/1967 Queen 119/77
3,372,676 A * 3/1968 Williams 119/52.3
3,590,780 A * 7/1971 Dunbar 119/57.9
4,144,842 A * 3/1979 Schlising 119/52.3
D273,429 S * 4/1984 Kilham D30/128
4,570,575 A * 2/1986 Hinz 119/52.2
4,637,164 A * 1/1987 Brown 47/32.5
4,732,112 A * 3/1988 Fenner et al. 119/52.2
4,829,934 A * 5/1989 Blasbalg 119/57.8
4,977,859 A * 12/1990 Kilham 119/52.2

(Continued)

Primary Examiner — Susan Moon Lee

(74) *Attorney, Agent, or Firm* — Robert J. Veal

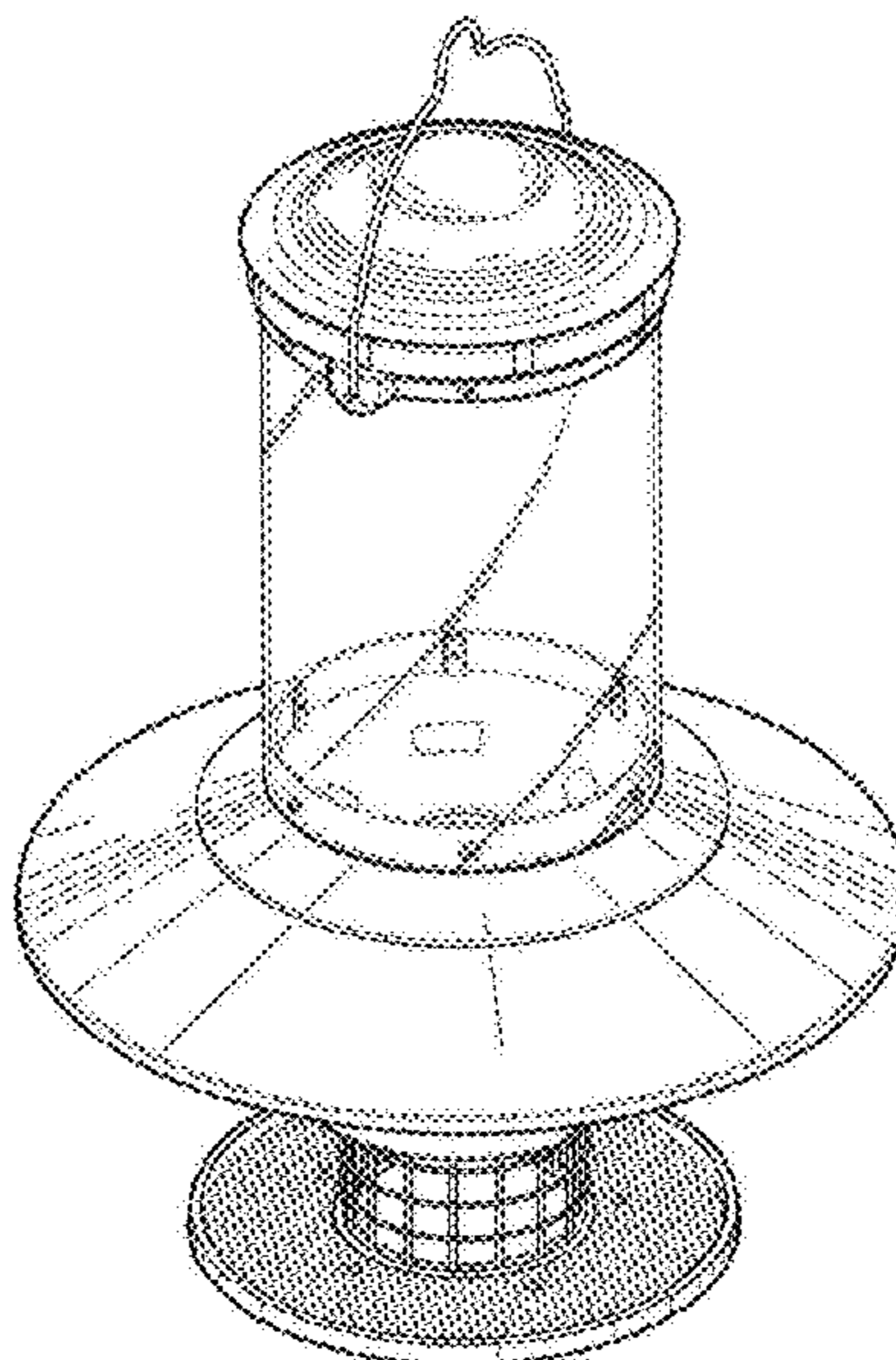
(57) **CLAIM**

The ornamental design for a bird feeder, as shown and described.

DESCRIPTION

FIG. 1 is a first top perspective view of the bird feeder; FIG. 2 is a front view of the bird feeder; FIG. 3 is a rear view of the bird feeder; FIG. 4 is a first side view of the bird feeder; FIG. 5 is a second side view of the bird feeder; FIG. 6 is top view of the bird feeder; FIG. 7 is a bottom view of the bird feeder; FIG. 8 is a first bottom perspective view of the bird feeder; FIG. 9 is a second bottom perspective view of the bird feeder; FIG. 10 is a third bottom perspective view of the bird feeder; FIG. 11 is a fourth bottom perspective view of the bird feeder; FIG. 12 is a second top perspective view of the bird feeder; and, FIG. 13 is a third top perspective view of the bird feeder.

1 Claim, 10 Drawing Sheets



(56)

References Cited

U.S. PATENT DOCUMENTS

5,033,411	A *	7/1991	Brucker	119/52.2	7,353,774	B2 *	4/2008	Bradeen	119/57.9
5,044,319	A *	9/1991	Blasbalg	119/57.9	7,530,330	B1 *	5/2009	Valle	119/69.5
5,062,388	A *	11/1991	Kilham	119/52.2	D609,864	S *	2/2010	Tsai	D30/127
5,123,380	A *	6/1992	Edwards	119/57.8	7,669,553	B2 *	3/2010	White et al.	119/57.8
D335,006	S *	4/1993	Blasbalg	D30/127	7,726,259	B2 *	6/2010	Hepp et al.	119/57.9
D336,556	S *	6/1993	Payne et al.	D30/133	D623,805	S *	9/2010	Vosbikian	D30/127
5,291,855	A *	3/1994	Laverty	119/52.3	7,930,995	B2 *	4/2011	Vosbikian	119/57.8
5,368,192	A	11/1994	Ransom, II		D638,588	S *	5/2011	Vosbikian	D30/127
D360,495	S *	7/1995	Sanderson	D30/123	7,946,249	B2 *	5/2011	Colvin et al.	119/78
5,533,467	A *	7/1996	Lancia	119/57.9	8,006,642	B2 *	8/2011	Vosbikian	119/52.2
5,549,075	A	8/1996	Golden		D649,302	S *	11/2011	Hickok	D30/127
5,558,040	A *	9/1996	Colwell et al.	119/52.2	8,245,666	B2 *	8/2012	Sena et al.	119/57.8
5,568,789	A *	10/1996	Koenig et al.	119/57.9	D671,277	S *	11/2012	Vosbikian et al.	D30/127
D386,835	S *	11/1997	Passamare	D30/124	8,312,842	B2 *	11/2012	Schumann	119/52.2
5,722,344	A *	3/1998	Rank	119/57.8	8,316,800	B2 *	11/2012	Puckett et al.	119/57.8
5,782,200	A *	7/1998	Knowles et al.	119/53	D674,562	S *	1/2013	Hoysak	D30/132
5,829,383	A *	11/1998	Blanding	119/52.3	8,347,818	B2 *	1/2013	Cowger et al.	119/74
D409,339	S *	5/1999	Silano et al.	D30/124	D676,614	S *	2/2013	Fields et al.	D30/127
5,964,183	A *	10/1999	Czipri	119/52.3	D677,016	S *	2/2013	Carter	D30/127
6,067,934	A *	5/2000	Harwich	119/57.8	D679,453	S *	4/2013	Krueger et al.	D30/128
6,135,056	A	10/2000	Kuo		2003/0033985	A1 *	2/2003	Hardison	119/57.9
6,145,477	A *	11/2000	Jansen	119/416	2005/0178338	A1 *	8/2005	Smith	119/57.8
6,253,706	B1 *	7/2001	Sloop	119/57.9	2005/0257749	A1 *	11/2005	Kuelbs	119/57.8
6,318,290	B1 *	11/2001	Fisher	119/51.5	2006/0162665	A1 *	7/2006	George	119/52.3
6,349,673	B1 *	2/2002	Schumann	119/52.2	2006/0266295	A1 *	11/2006	McDarren	119/57.8
6,378,458	B1 *	4/2002	Boyd	119/52.3	2008/0035068	A1 *	2/2008	Gou	119/72
6,427,629	B1 *	8/2002	Lush	119/52.1	2008/0127902	A1 *	6/2008	Bent et al.	119/52.3
6,584,933	B1 *	7/2003	Stone	119/57.9	2008/0134979	A1 *	6/2008	Crocker	119/51.5
6,662,746	B2 *	12/2003	Laske, Jr.	119/57.8	2008/0302304	A1 *	12/2008	Mayfield	119/51.01
D490,576	S *	5/2004	Rich et al.	D30/128	2009/0145875	A1 *	6/2009	Gardner	215/228
6,758,163	B1	7/2004	Sternitzky		2010/0024738	A1 *	2/2010	Chen et al.	119/72
6,945,192	B2 *	9/2005	Cote	119/57.9	2010/0258054	A1 *	10/2010	Frazier	119/52.2
6,951,188	B1 *	10/2005	Lush	119/57.9	2010/0288200	A1 *	11/2010	Lush	119/52.3
7,032,538	B1 *	4/2006	Lush	119/52.1	2010/0288201	A1 *	11/2010	Lush	119/52.4
					2011/0083609	A1 *	4/2011	Cote	119/52.2
					2011/0094449	A1 *	4/2011	George	119/61.1

* cited by examiner

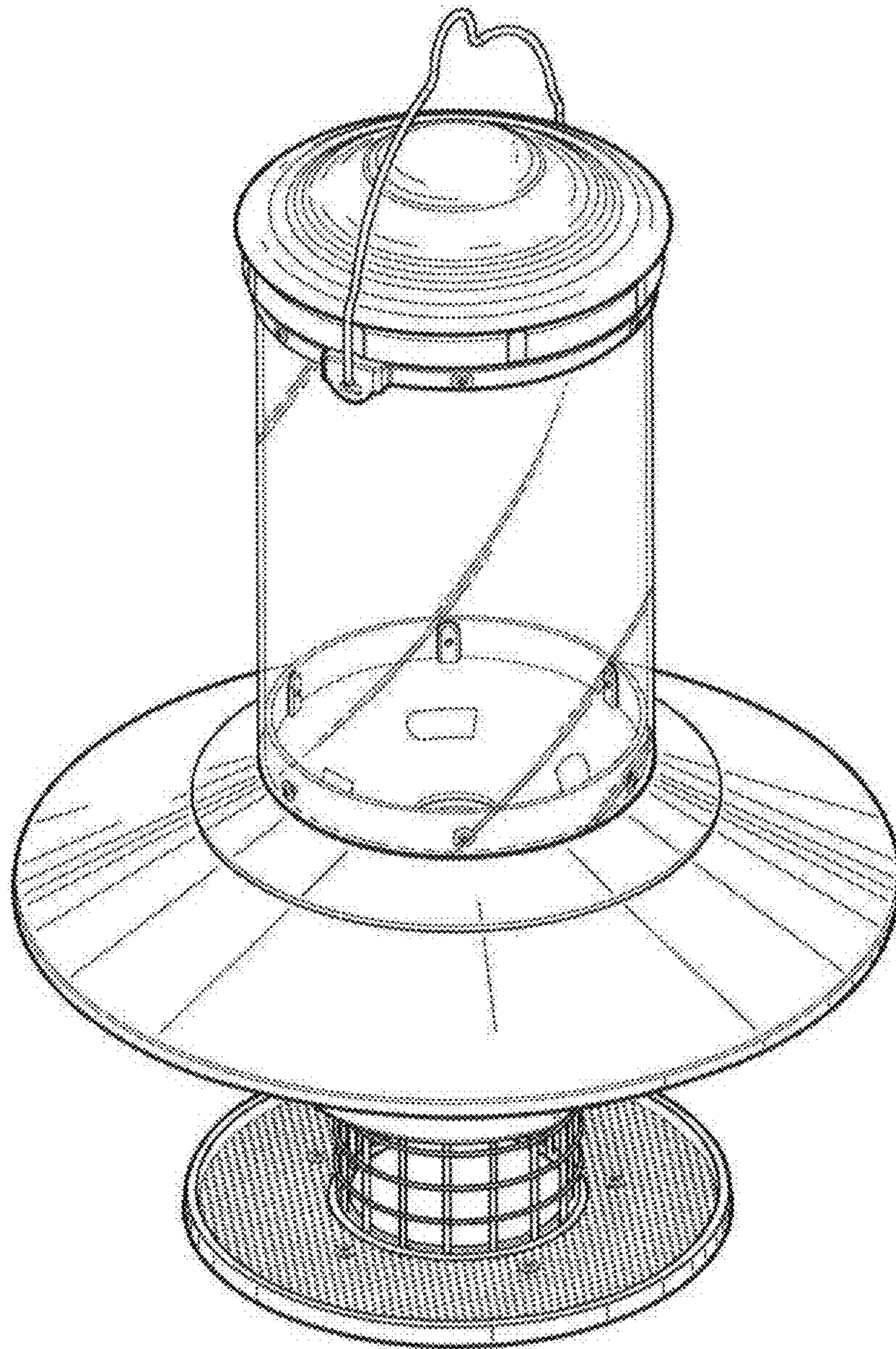


FIG. 1

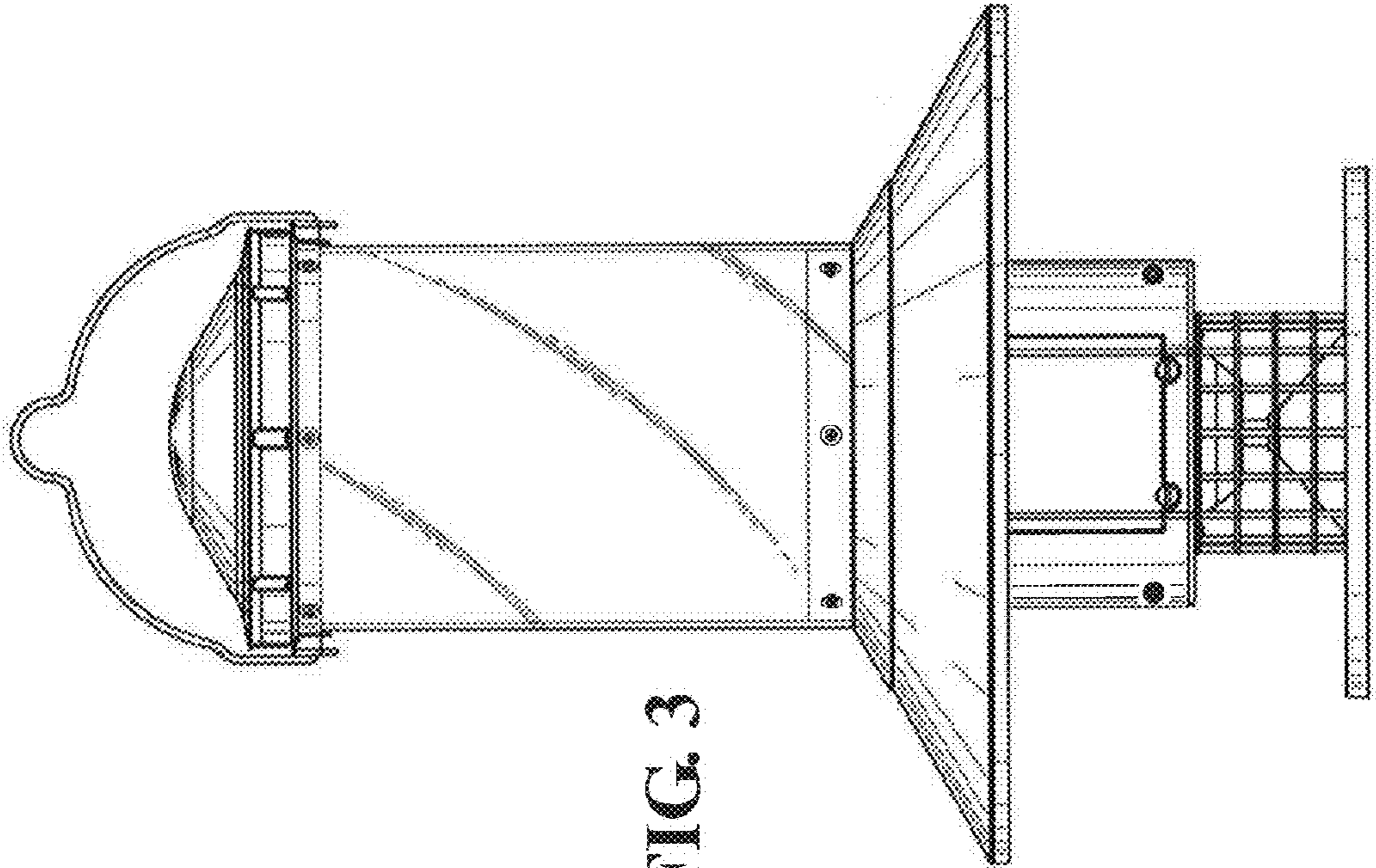


FIG. 3

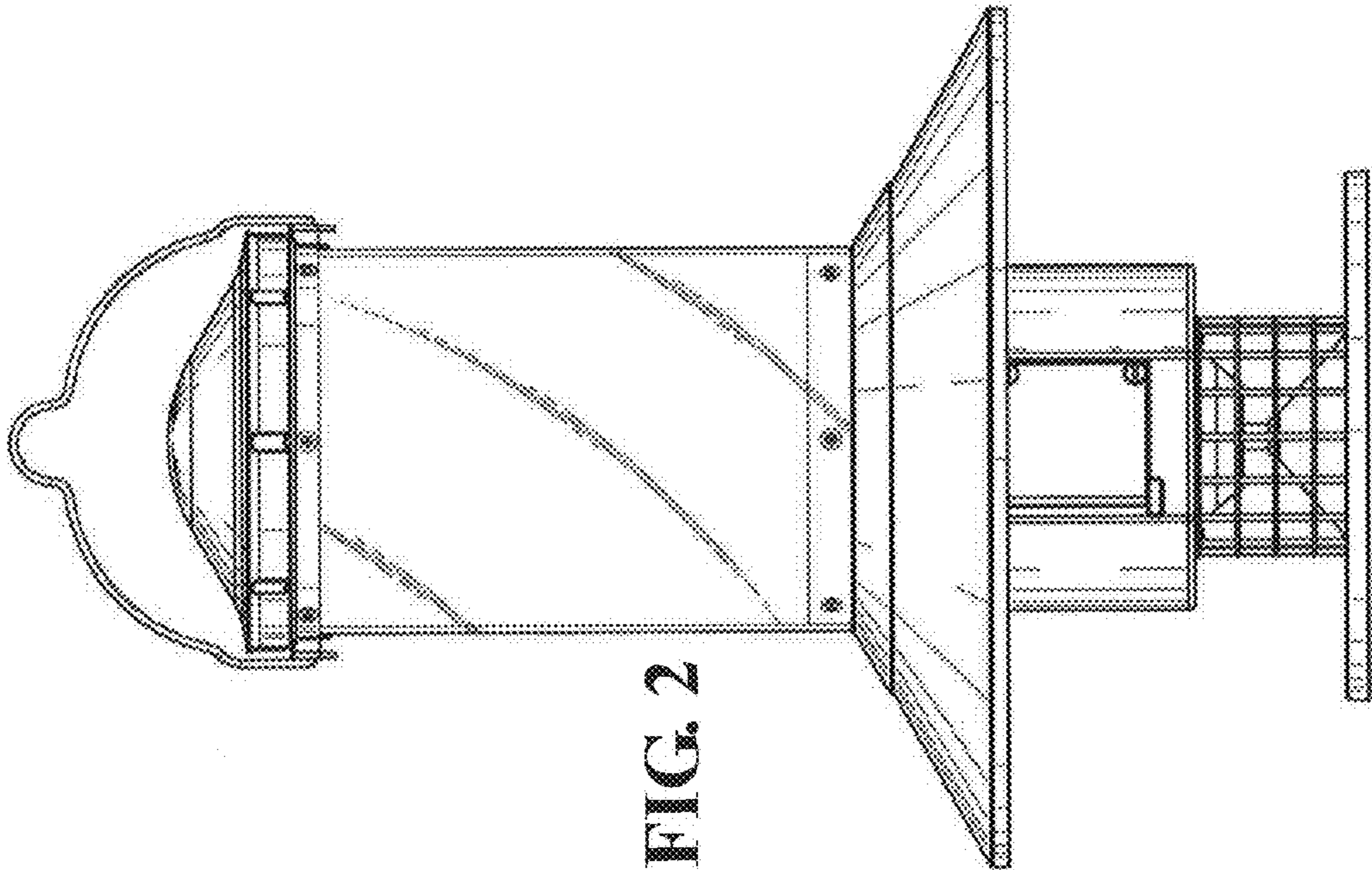


FIG. 2

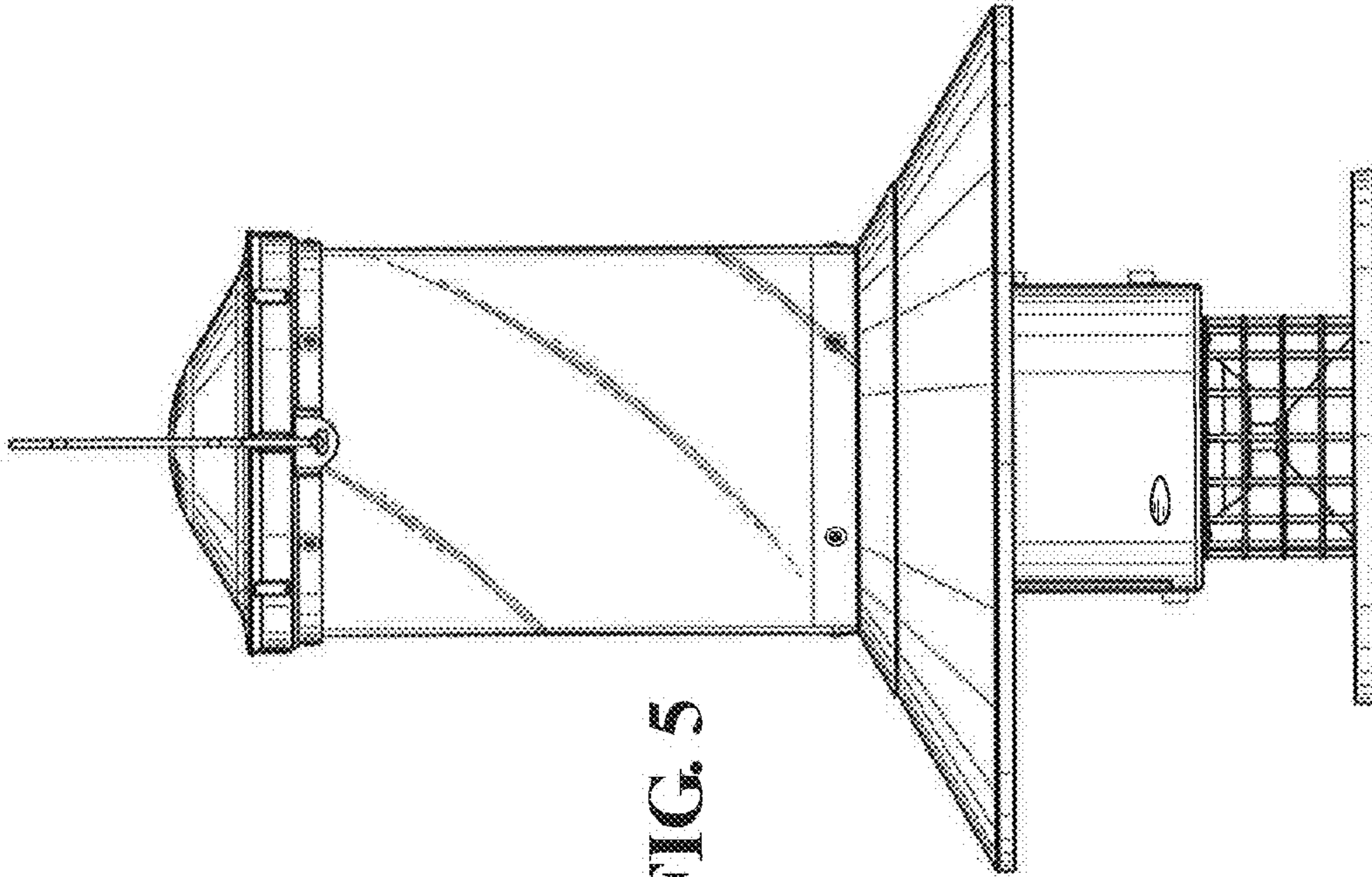


FIG. 5

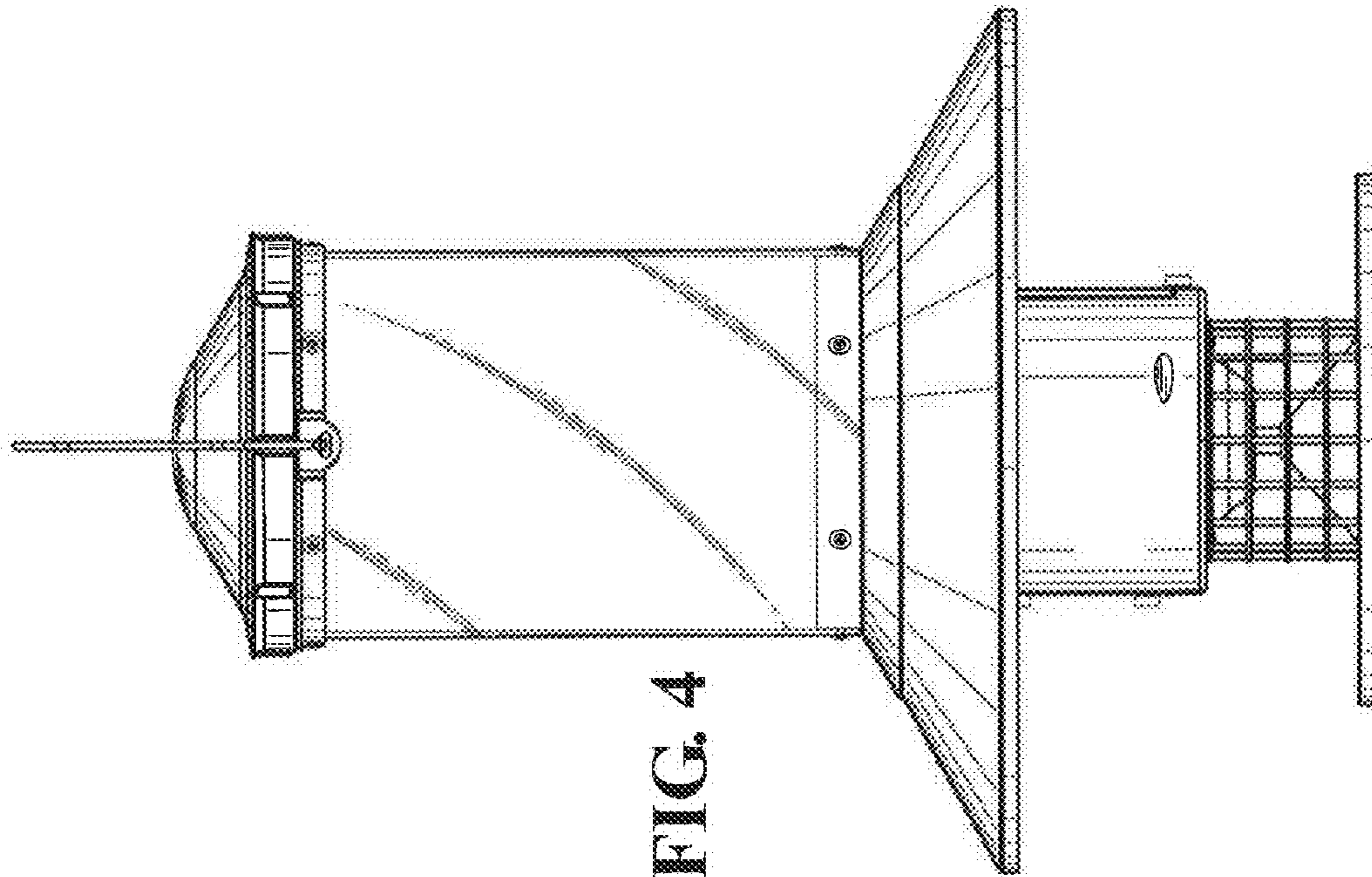


FIG. 4

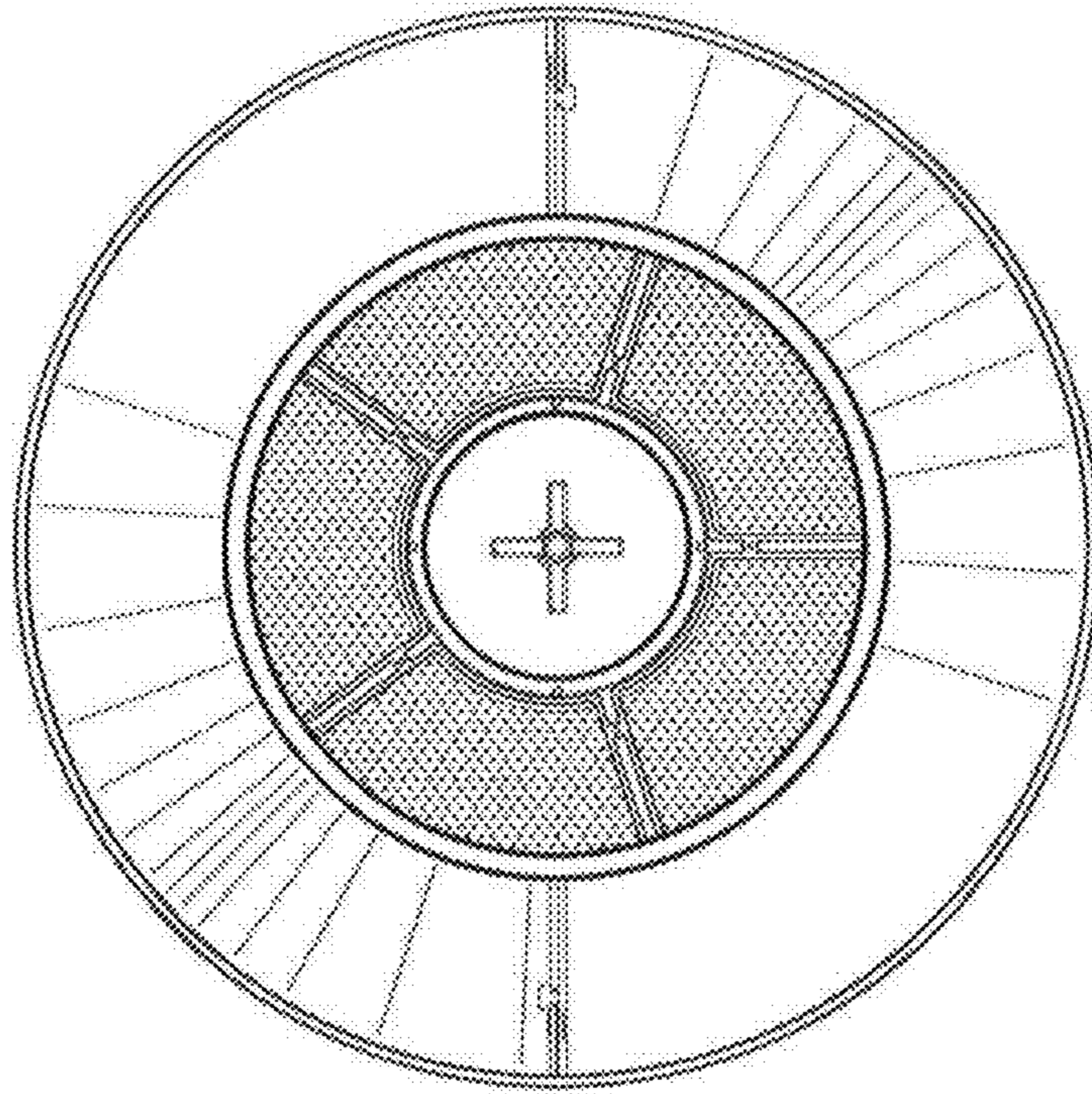


FIG. 7

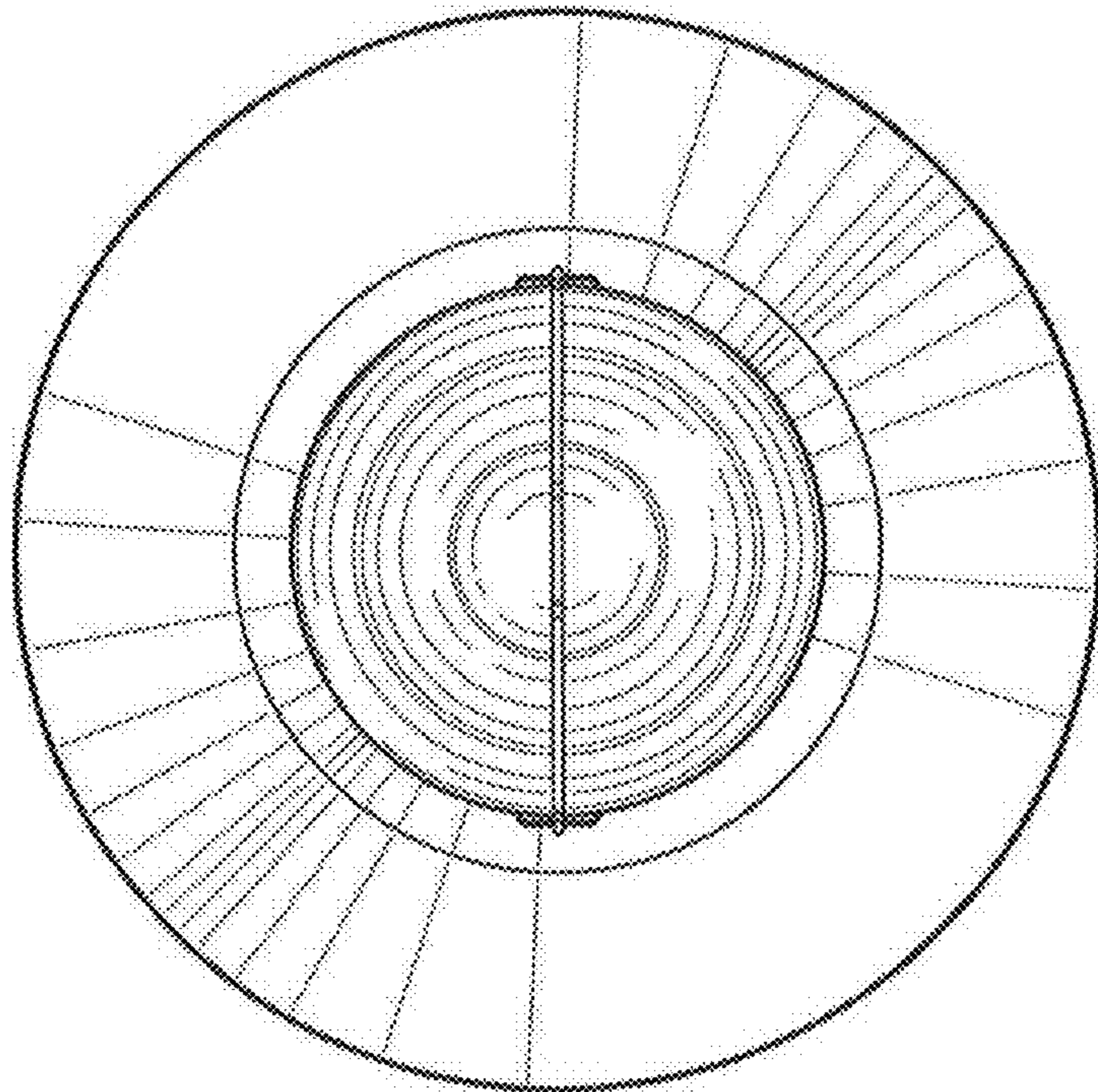


FIG. 6

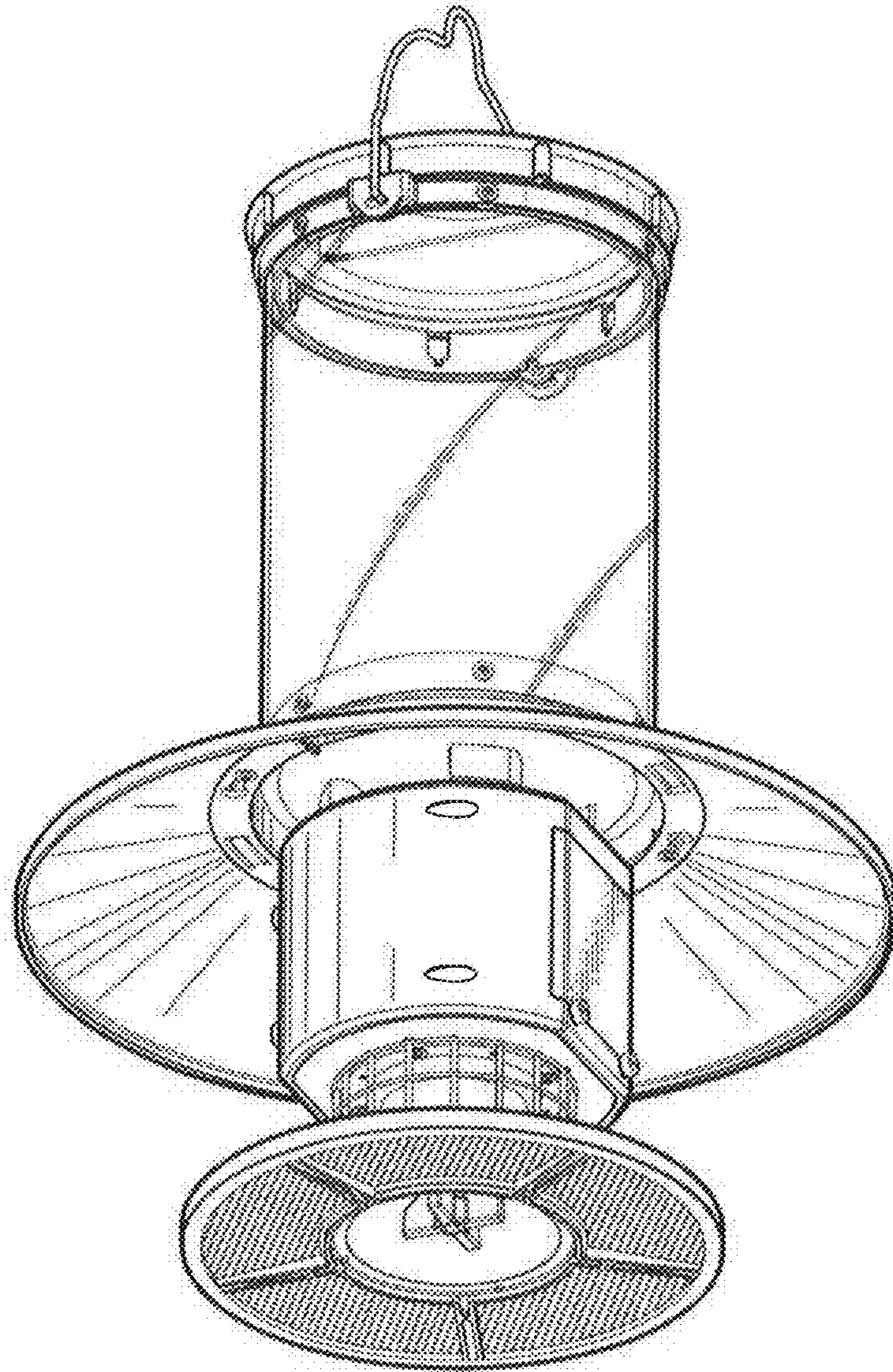


FIG. 8

Fig. 9

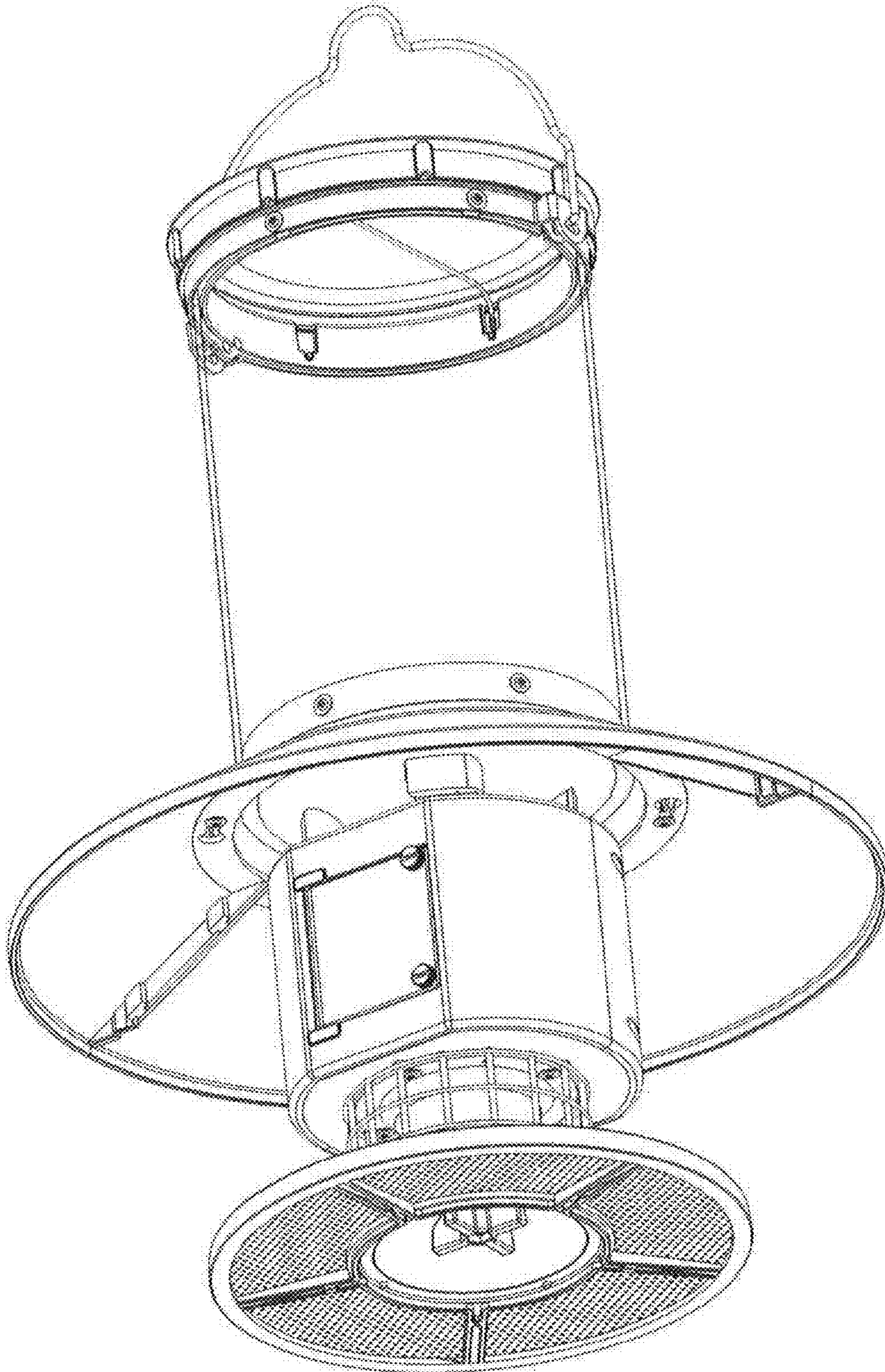


Fig. 10

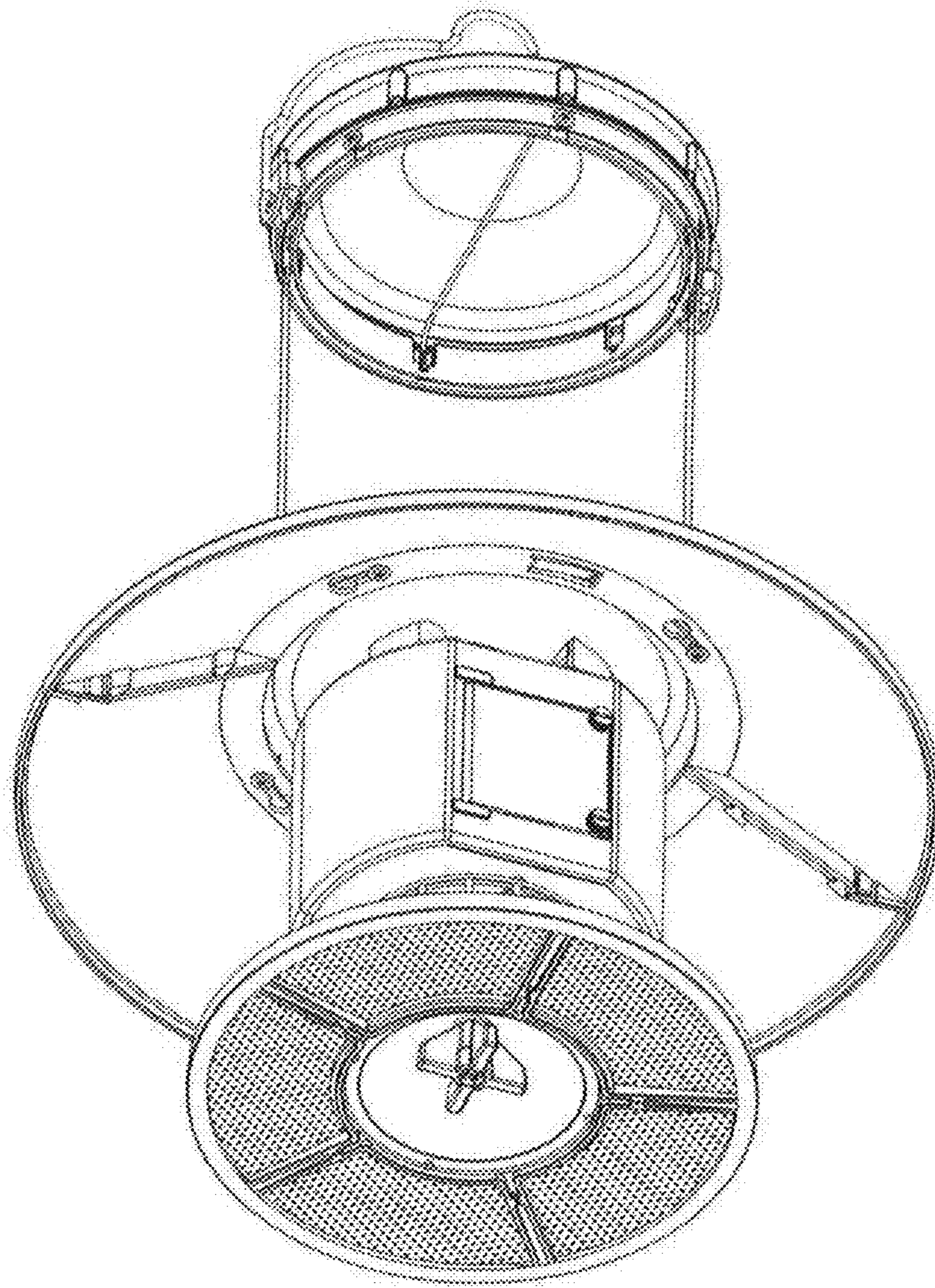


Fig. 11

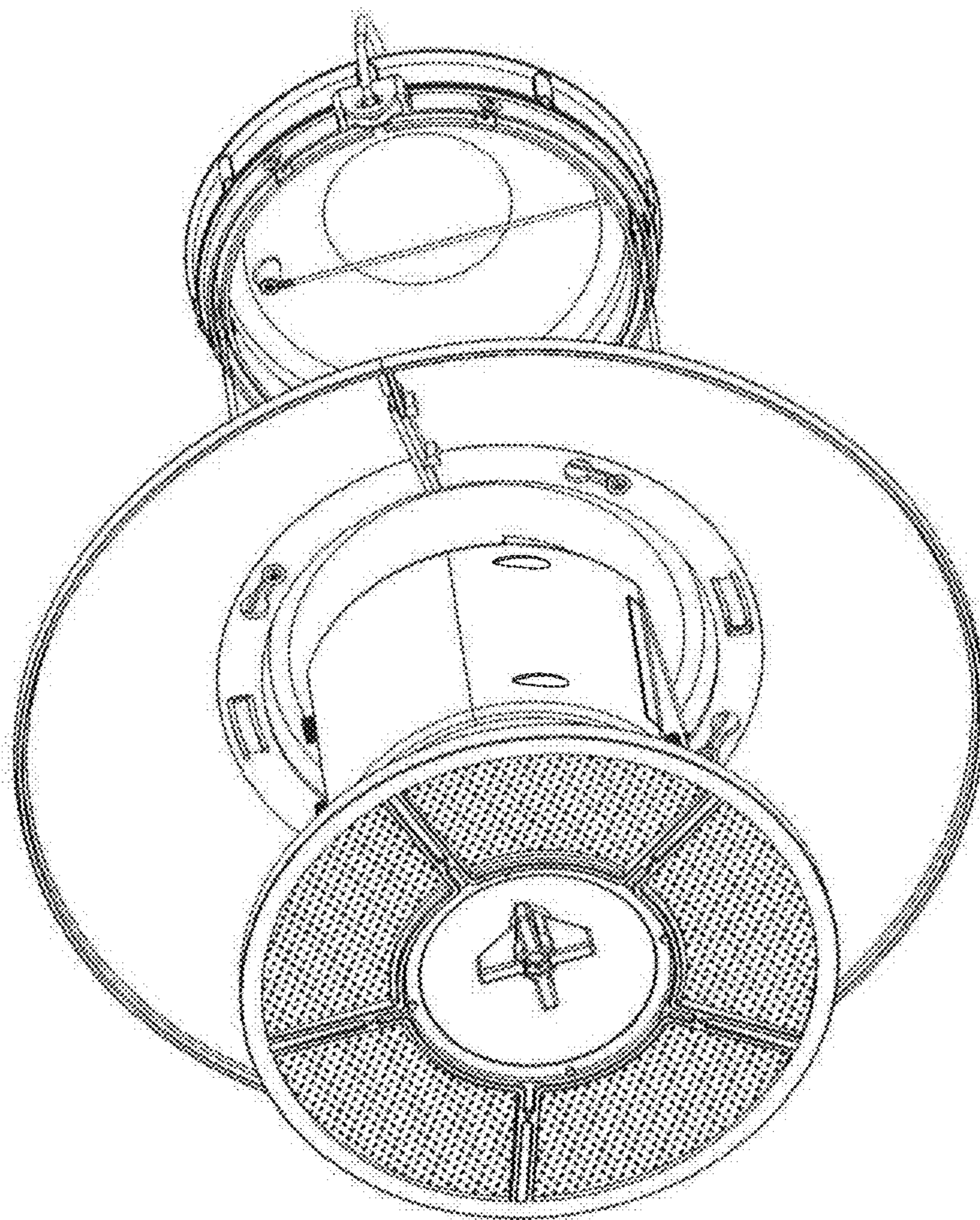


Fig. 12

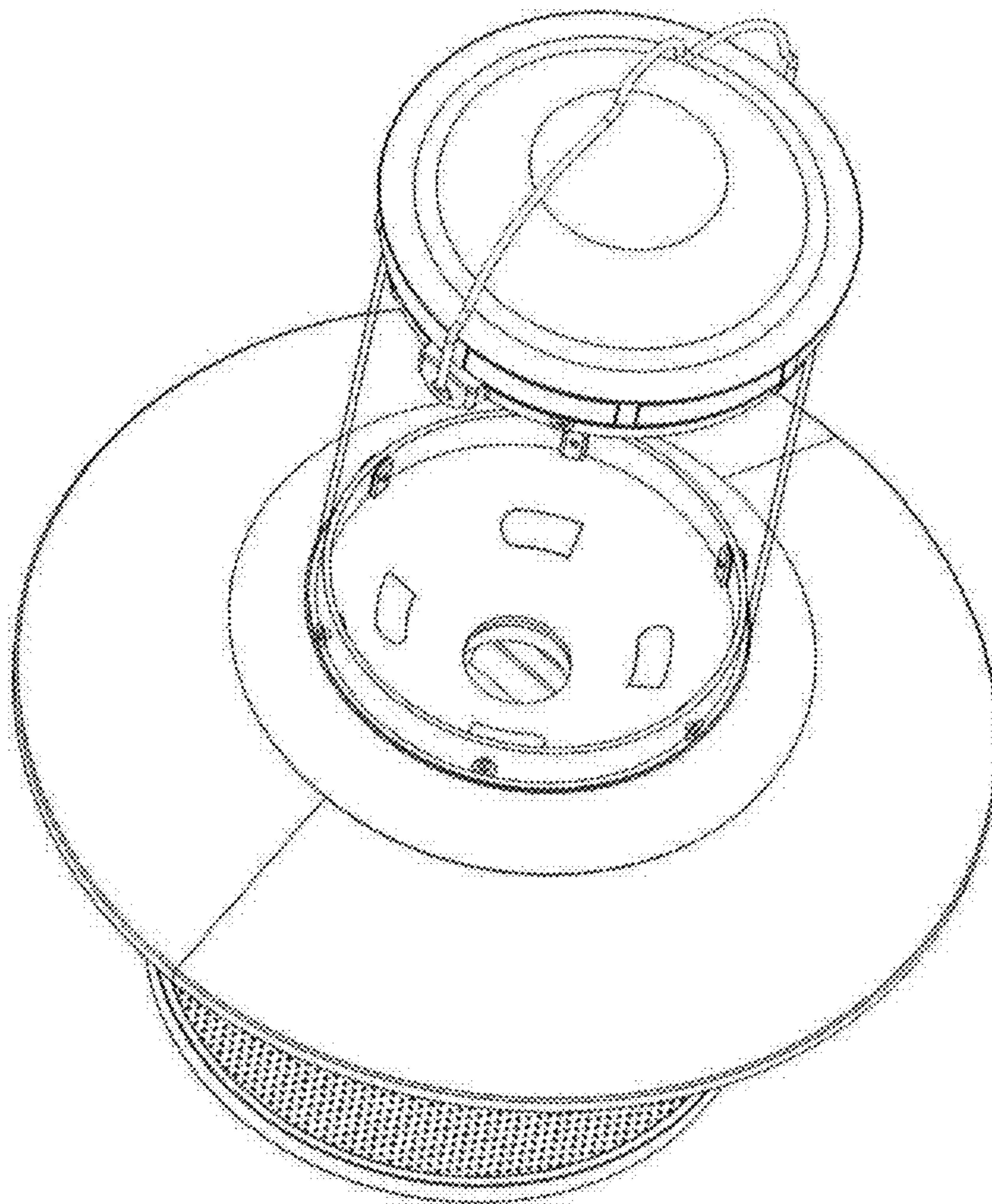


Fig. 13

