



US00D692187S

(12) **United States Design Patent**
Isobe

(10) **Patent No.:** **US D692,187 S**

(45) **Date of Patent:** **** Oct. 22, 2013**

(54) **HELMET SHIELD**

(75) Inventor: **Eiji Isobe**, Abiko (JP)

(73) Assignee: **Shoei Co., Ltd.**, Tokyo (JP)

(**) Term: **14 Years**

(21) Appl. No.: **29/425,704**

(22) Filed: **Jun. 26, 2012**

(30) **Foreign Application Priority Data**

Apr. 27, 2012 (JP) 2012-009994

(51) **LOC (9) Cl.** **29-02**

(52) **U.S. Cl.**
USPC **D29/110**

(58) **Field of Classification Search**
USPC D29/100, 102, 103, 104, 105, 106, 107,
D29/108, 109, 110, 111, 122; 2/9, 410, 6.7,
2/424, 425, 15, 206, 7, 8.1-8.7, 427, 429,
2/173; 128/201.24, 201.15, 857, 858
See application file for complete search history.

(56) **References Cited**

U.S. PATENT DOCUMENTS

1,790,328	A *	1/1931	Savage	2/12
3,686,690	A *	8/1972	Webb	2/9
D227,819	S *	7/1973	Kotzar, Nick	D29/110
4,495,657	A *	1/1985	Bay	2/10
D291,256	S *	8/1987	Hollander	D29/110
5,652,964	A *	8/1997	Reinhardt	2/424
D416,649	S *	11/1999	Burns et al.	D29/110
D417,756	S *	12/1999	Crupi et al.	D29/110
D454,667	S *	3/2002	Chartrand et al.	D29/110
D499,214	S *	11/2004	Cheng	D29/110
D539,987	S *	4/2007	Love	D29/110
D569,557	S *	5/2008	Cho	D29/122

D661,841	S *	6/2012	Klotz et al.	D29/109
D662,261	S *	6/2012	Klotz et al.	D29/109
D669,639	S *	10/2012	Klotz et al.	D29/110
D675,786	S *	2/2013	Klotz et al.	D29/110
D675,787	S *	2/2013	Klotz et al.	D29/110
D675,788	S *	2/2013	Klotz et al.	D29/110
2008/0141443	A1 *	6/2008	Arai	2/424

* cited by examiner

Primary Examiner — Elizabeth J Oswecki

(74) *Attorney, Agent, or Firm* — Sughrue Mion, PLLC

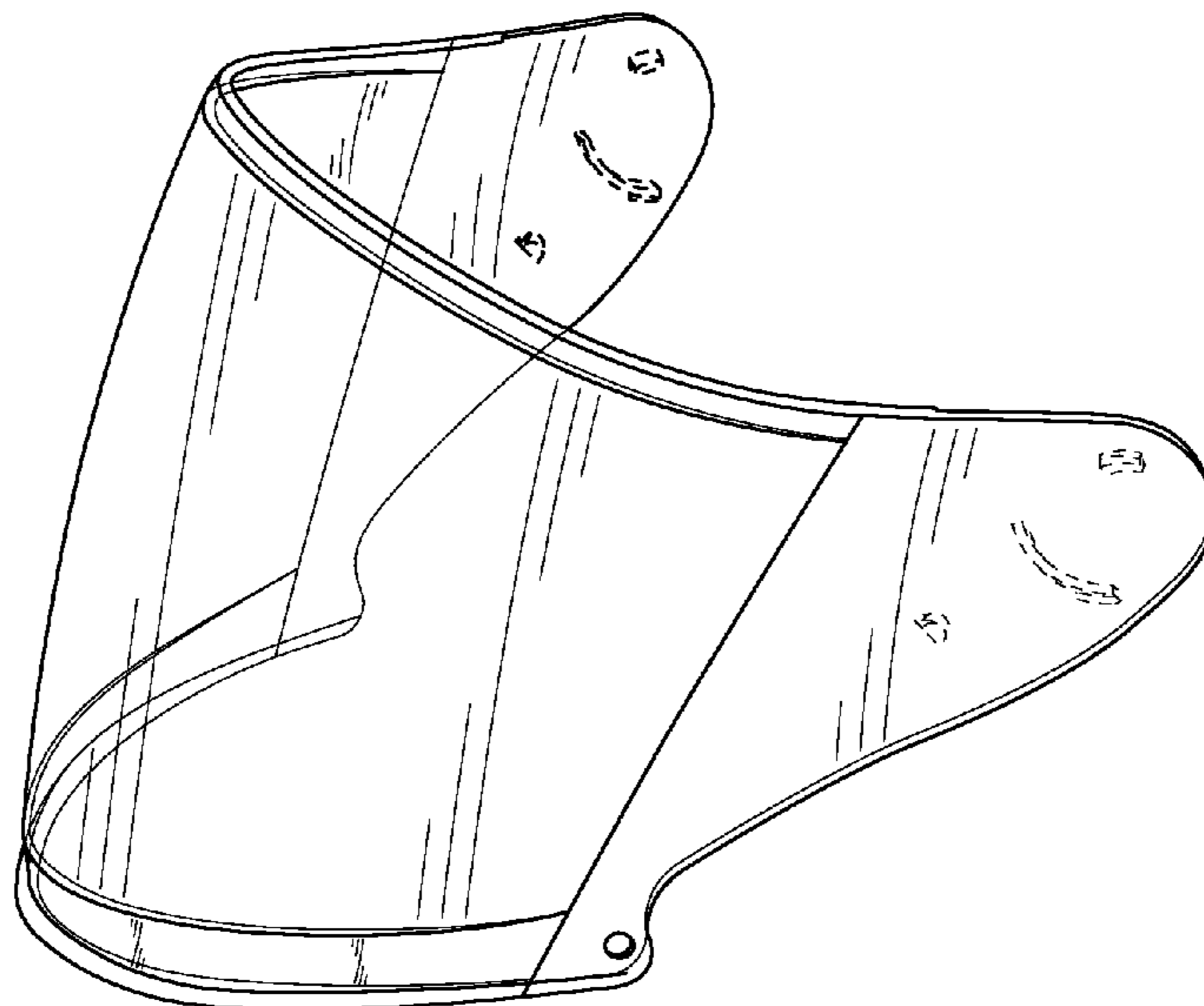
(57) **CLAIM**

The ornamental design for a helmet shield, as shown and described.

DESCRIPTION

FIG. 1 is a front view of a helmet shield showing my new design;
 FIG. 2 is a rear view thereof;
 FIG. 3 is a left side view thereof;
 FIG. 4 is a right side view thereof;
 FIG. 5 is a top plan view thereof;
 FIG. 6 is a bottom plan view thereof;
 FIG. 7 is a cross-sectional view taken along line 7-7 of FIG. 1;
 FIG. 8 is a cross-sectional view taken along line 8-8 of FIG. 1;
 FIG. 9 is a partial enlarged view taken along line 9-9 of FIG. 7;
 FIG. 10 is a partial enlarged view taken along line 10-10 of FIG. 8;
 FIG. 11 is a perspective view of FIG. 1; and,
 FIG. 12 is another perspective view thereof attached to a helmet shown in a used condition.
 The broken lines shown in the drawings represent portions of the helmet shield that form no part of the claimed design.

1 Claim, 12 Drawing Sheets



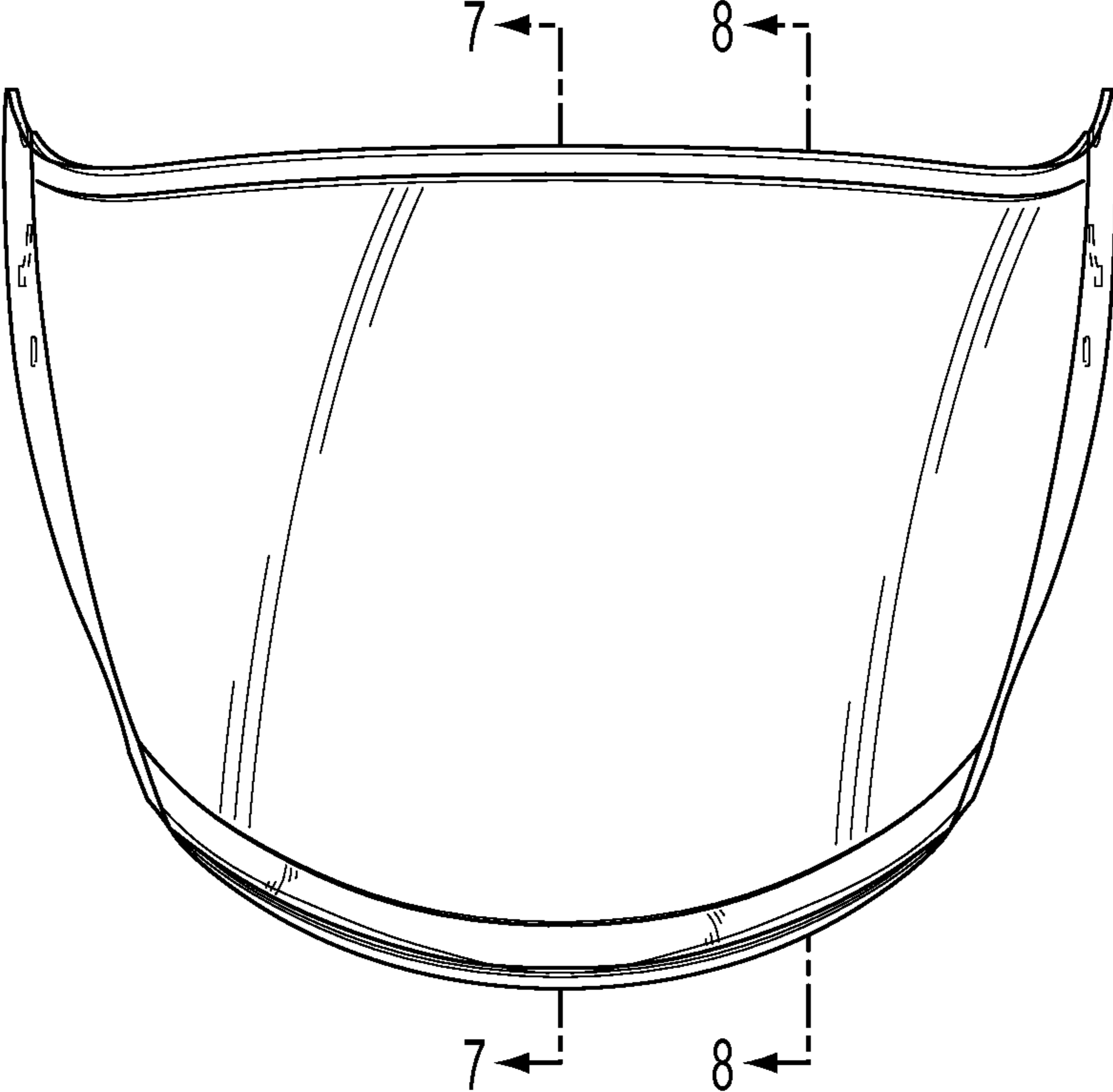


FIG. 1

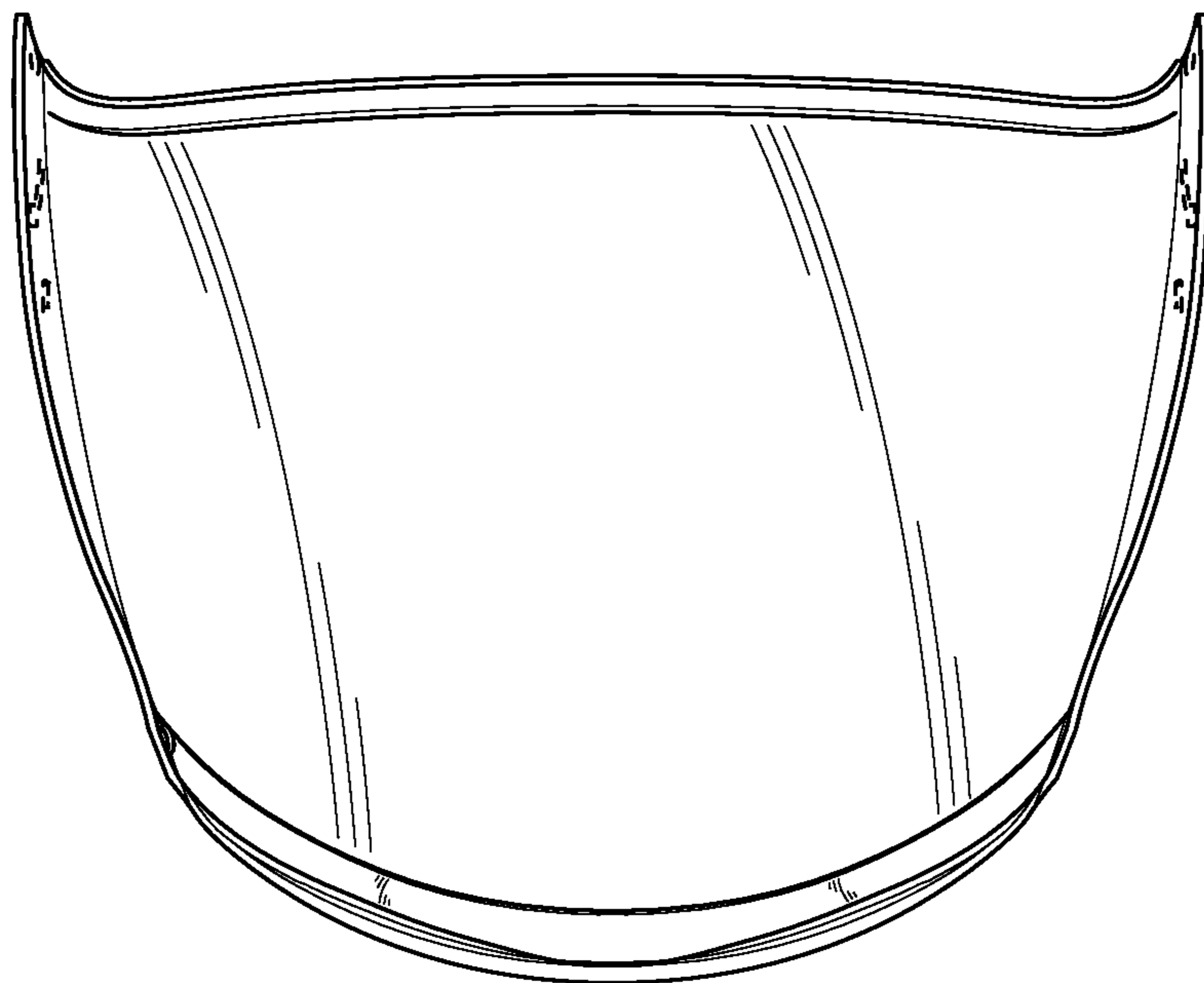


FIG. 2

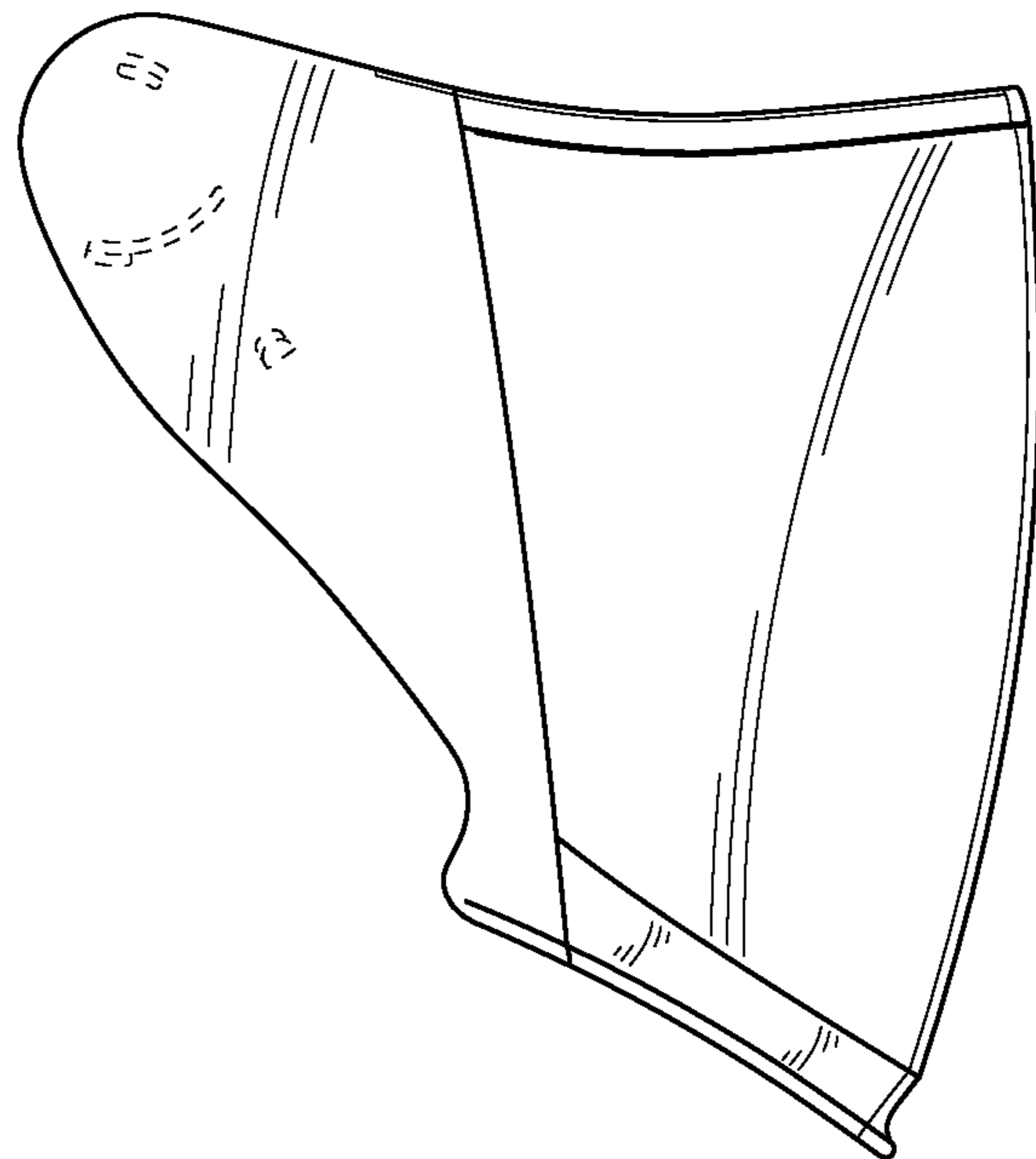


FIG. 3

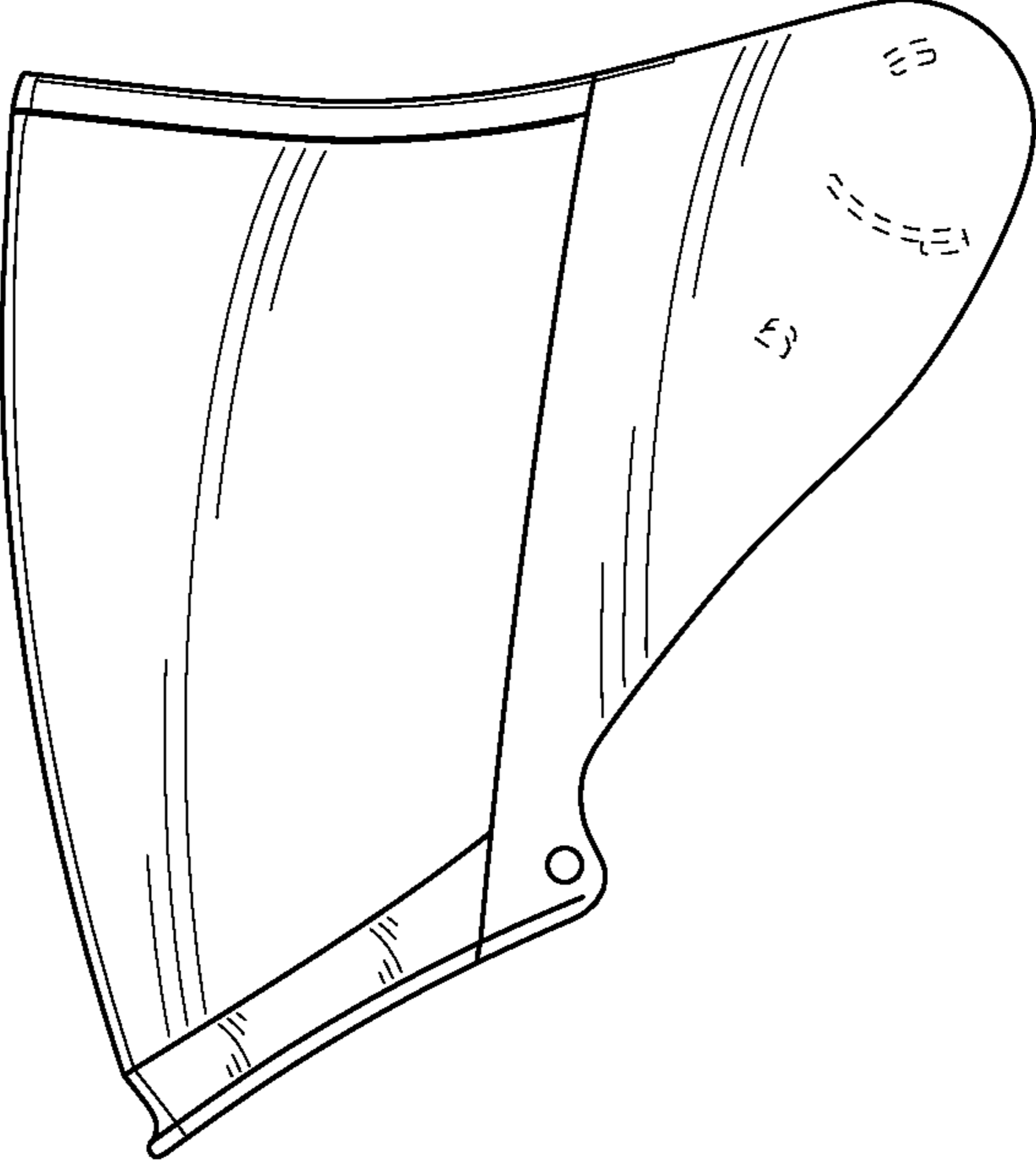


FIG. 4

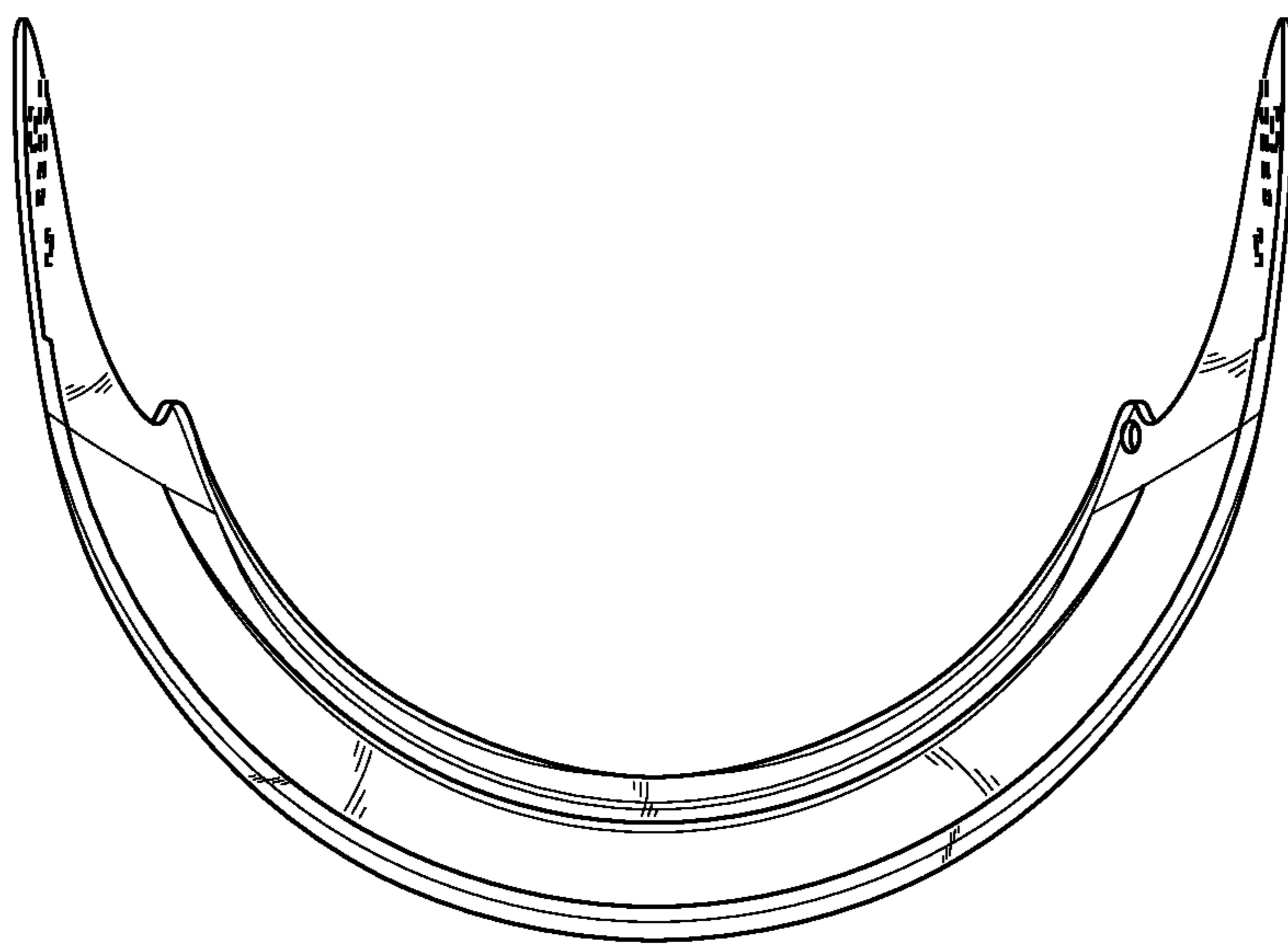


FIG. 5

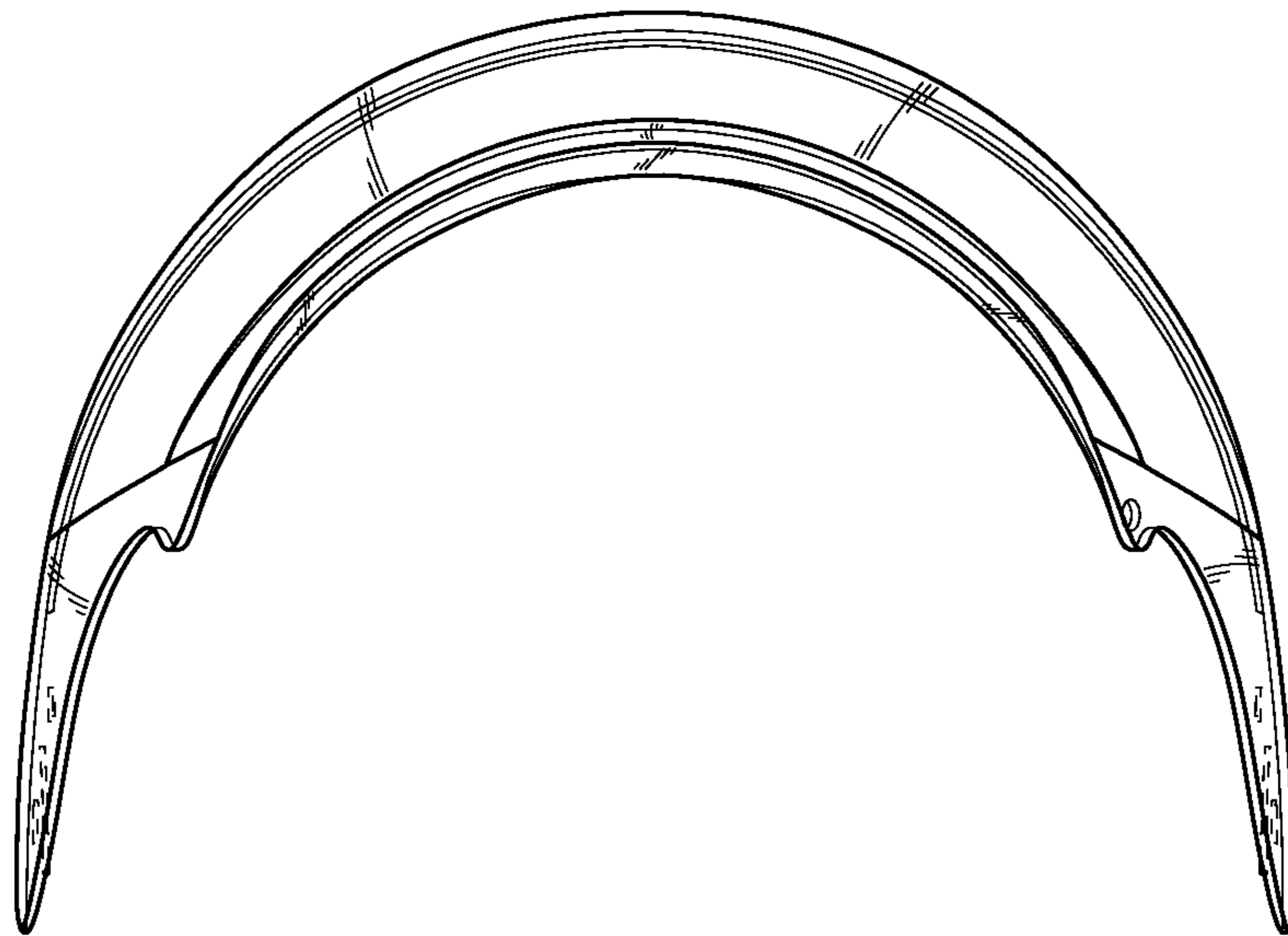


FIG. 6

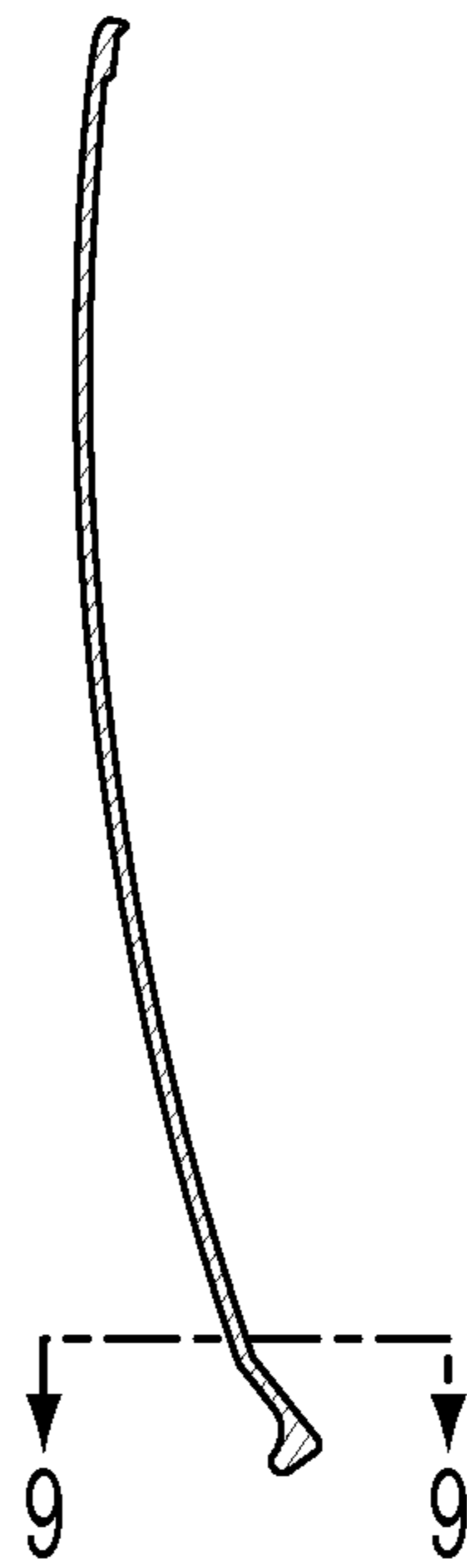


FIG. 7

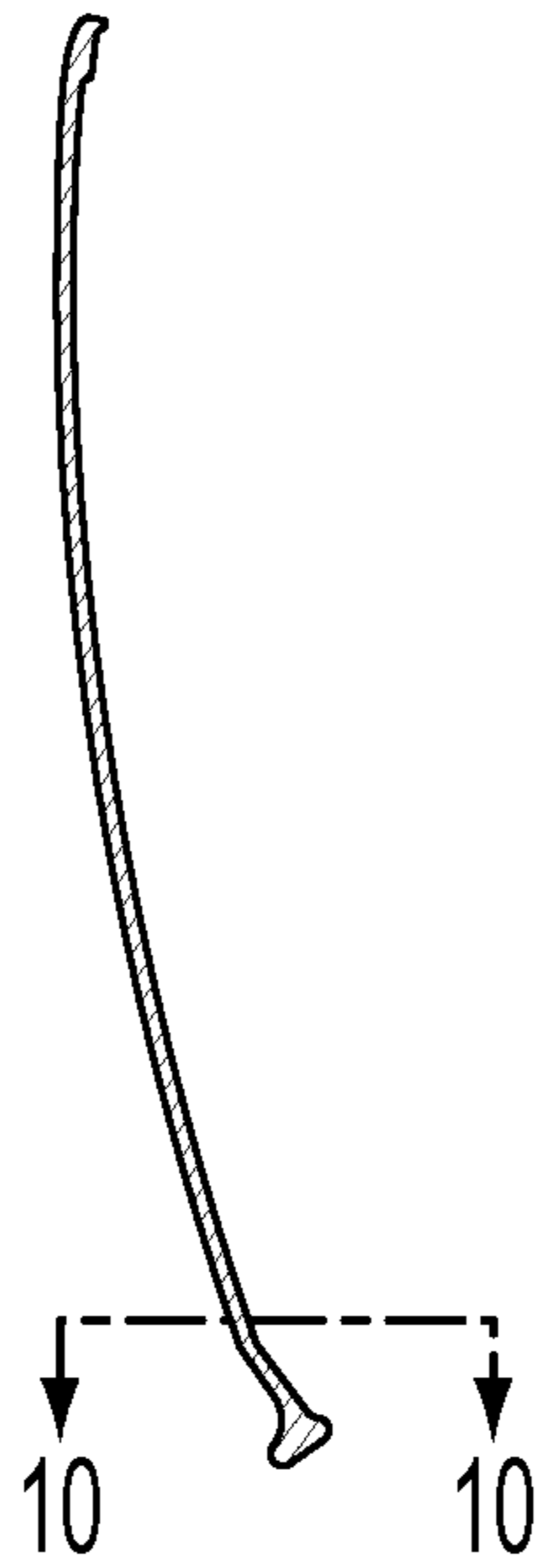


FIG. 8

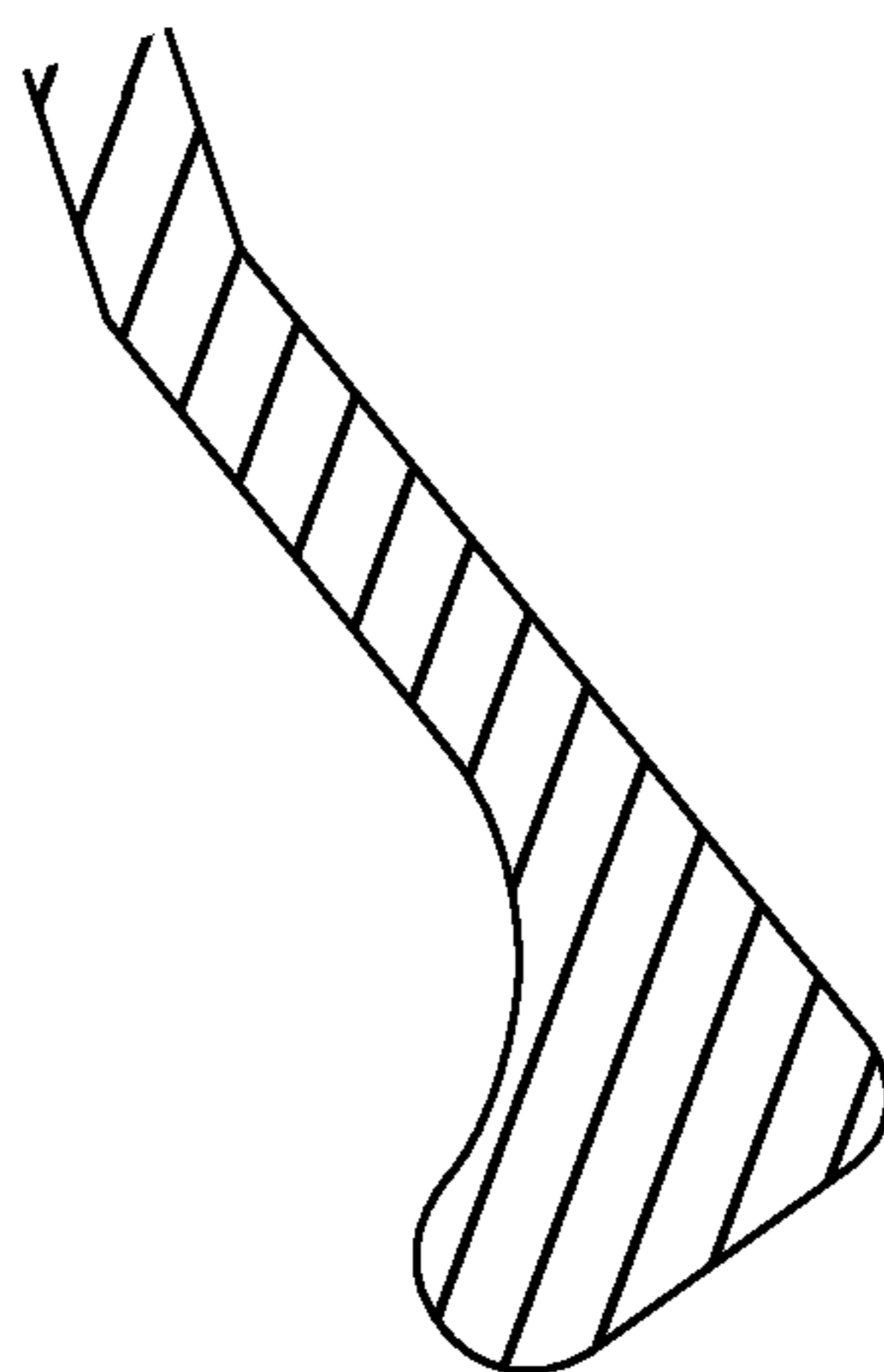


FIG. 9

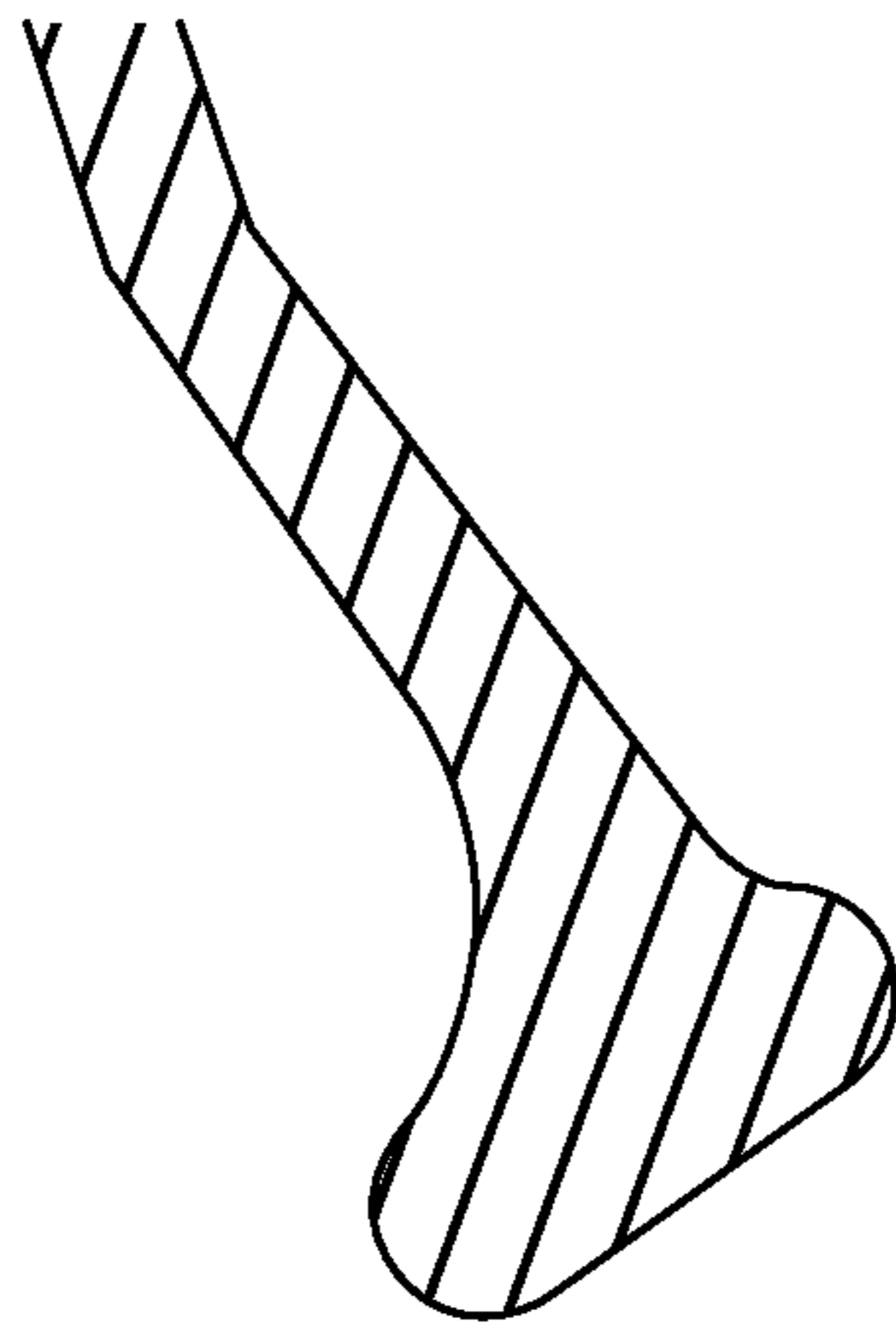


FIG. 10

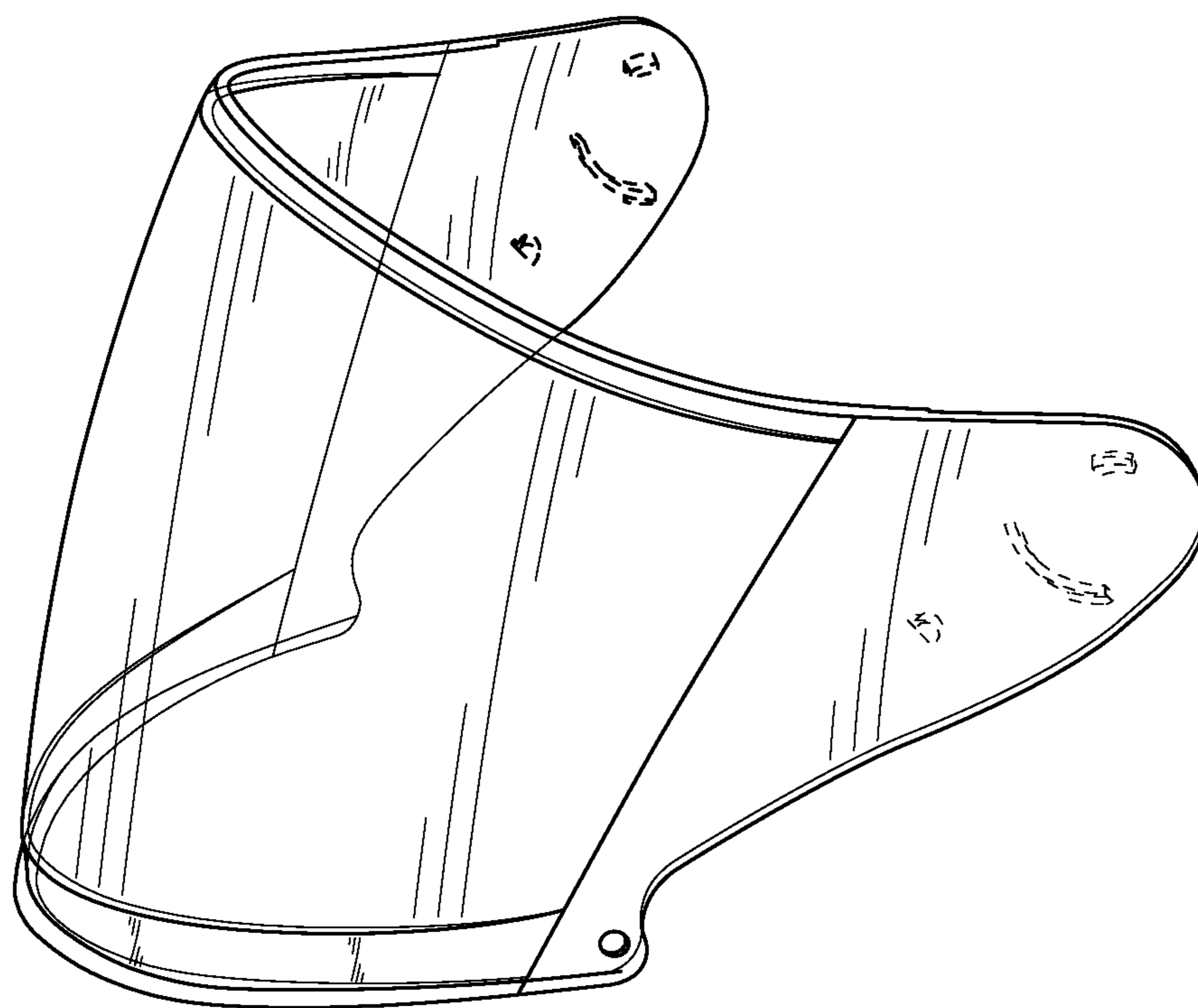


FIG. 11

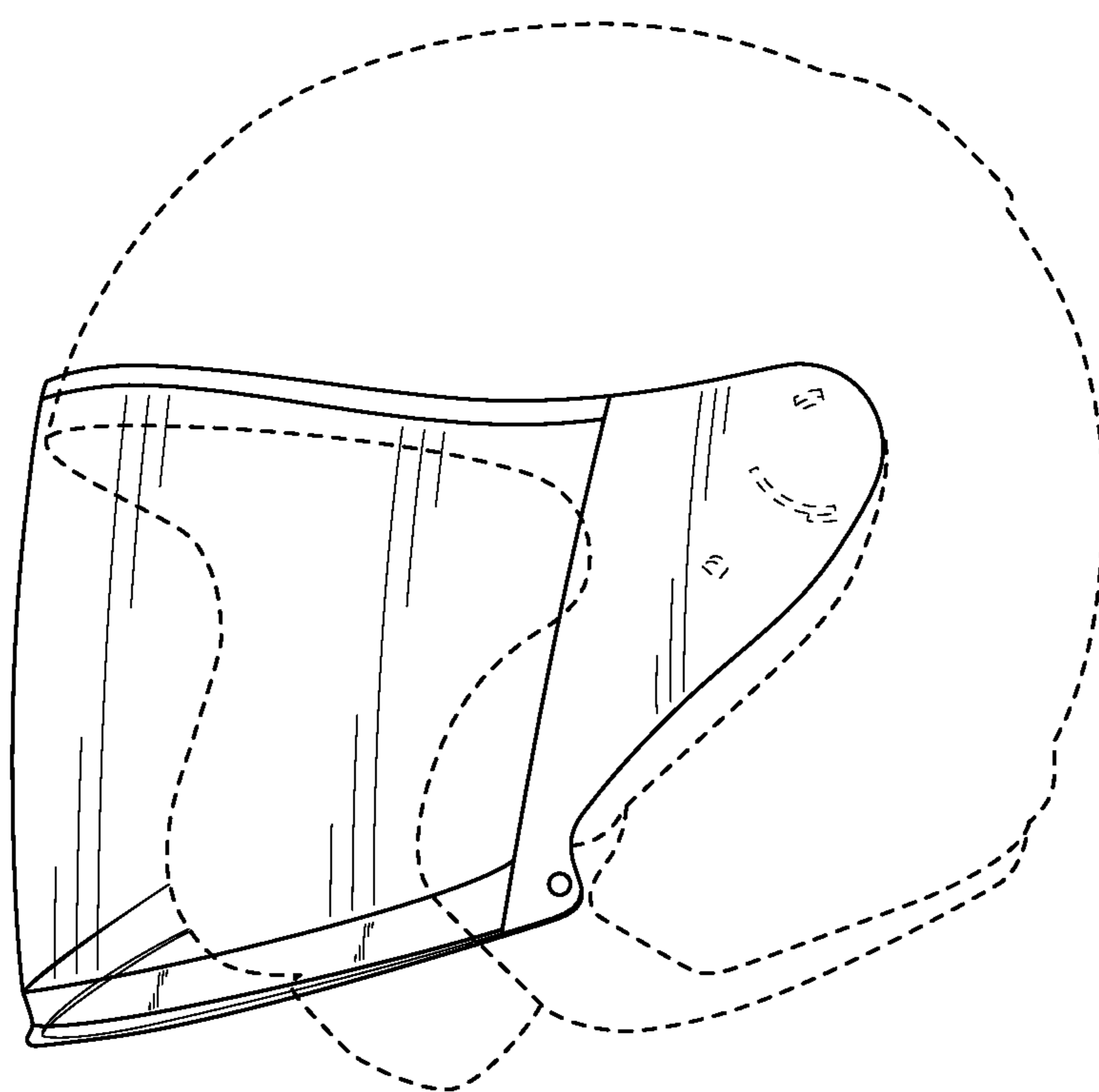


FIG. 12