



US00D692183S

(12) **United States Design Patent**  
**Lai**

(10) **Patent No.:** **US D692,183 S**

(45) **Date of Patent:** **\*\* Oct. 22, 2013**

(54) **COSMETIC CASE**

(71) Applicant: **Chin-Chun Lai**, New Taipei (TW)

(72) Inventor: **Chin-Chun Lai**, New Taipei (TW)

(73) Assignee: **Chao Ling Chemical Industry Co., Ltd.**, New Taipei (TW)

(\*\*) Term: **14 Years**

(21) Appl. No.: **29/445,146**

(22) Filed: **Feb. 7, 2013**

(51) **LOC (9) Cl.** ..... **28-03**

(52) **U.S. Cl.**  
USPC ..... **D28/73; D28/83; D3/284; D3/901; D3/295**

(58) **Field of Classification Search**  
USPC ..... **D28/76-84, 73; 206/581, 823; 132/286-318, 320, 319; D3/901, D3/294-296, 284**  
See application file for complete search history.

(56) **References Cited**

**U.S. PATENT DOCUMENTS**

2,205,118	A *	6/1940	Friedman	190/104
D202,160	S *	8/1965	Territo	D3/284
4,936,463	A *	6/1990	Tiramani	206/581
5,878,757	A *	3/1999	Hernandez	132/287

5,941,255	A *	8/1999	Chen	132/315
D467,428	S *	12/2002	Wolf	D3/291
D485,067	S *	1/2004	Wolf	D3/295
D485,682	S *	1/2004	Wolf	D3/295
7,048,114	B1 *	5/2006	Prottas	206/229
D614,814	S *	4/2010	Lin	D28/83
D618,854	S *	6/2010	Lin	D28/83
D631,201	S *	1/2011	Lai	D28/73
D657,915	S *	4/2012	Lai	D28/83

\* cited by examiner

*Primary Examiner* — Jennifer Rivard

(74) *Attorney, Agent, or Firm* — Leong C. Lei

(57) **CLAIM**

The ornamental design for a cosmetic case, as shown and described.

**DESCRIPTION**

FIG. 1 is a front perspective view of a cosmetic case showing my new design;

FIG. 2 is a front elevational view thereof;

FIG. 3 is a rear elevational view thereof;

FIG. 4 is a left elevational view thereof;

FIG. 5 is a right elevational view thereof;

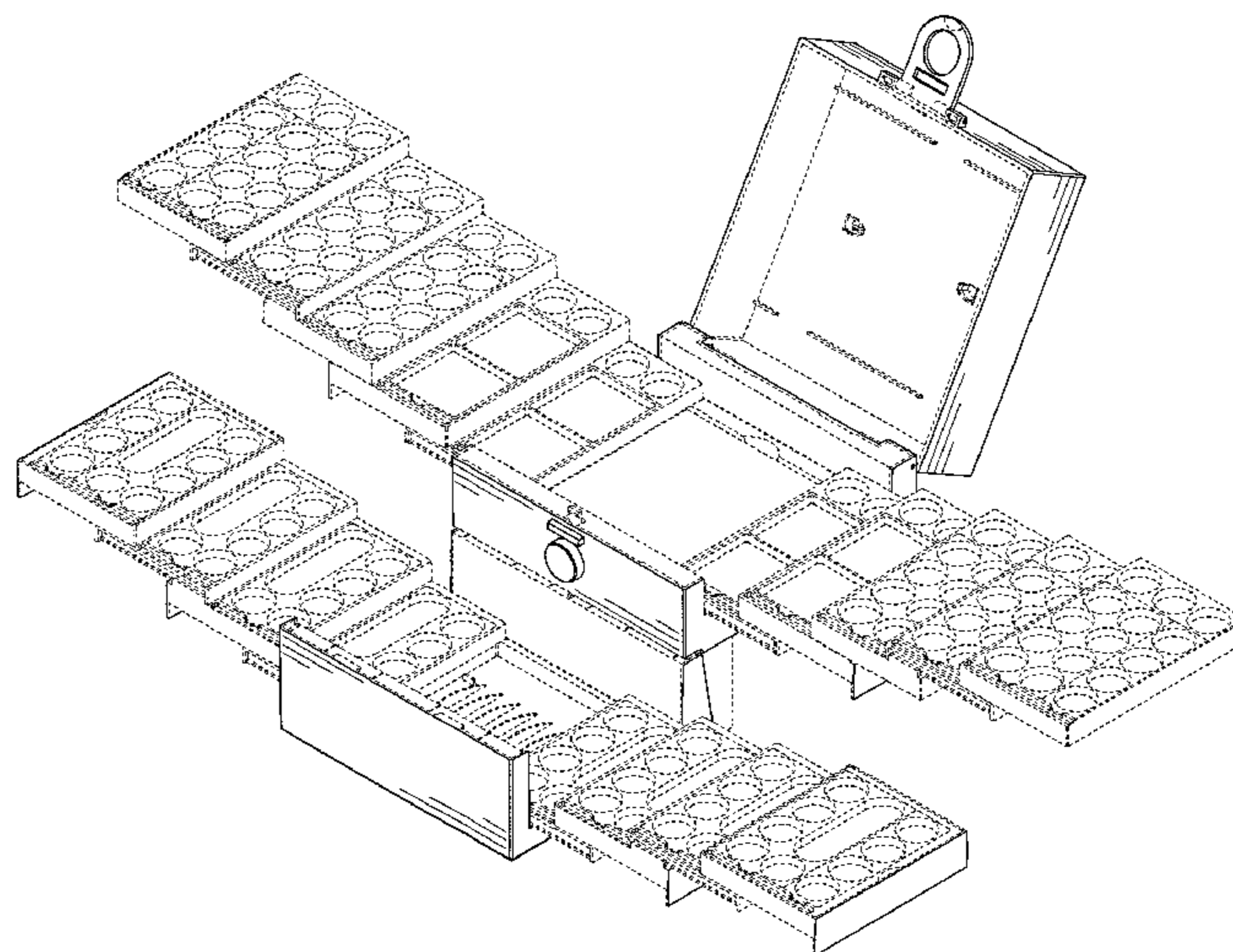
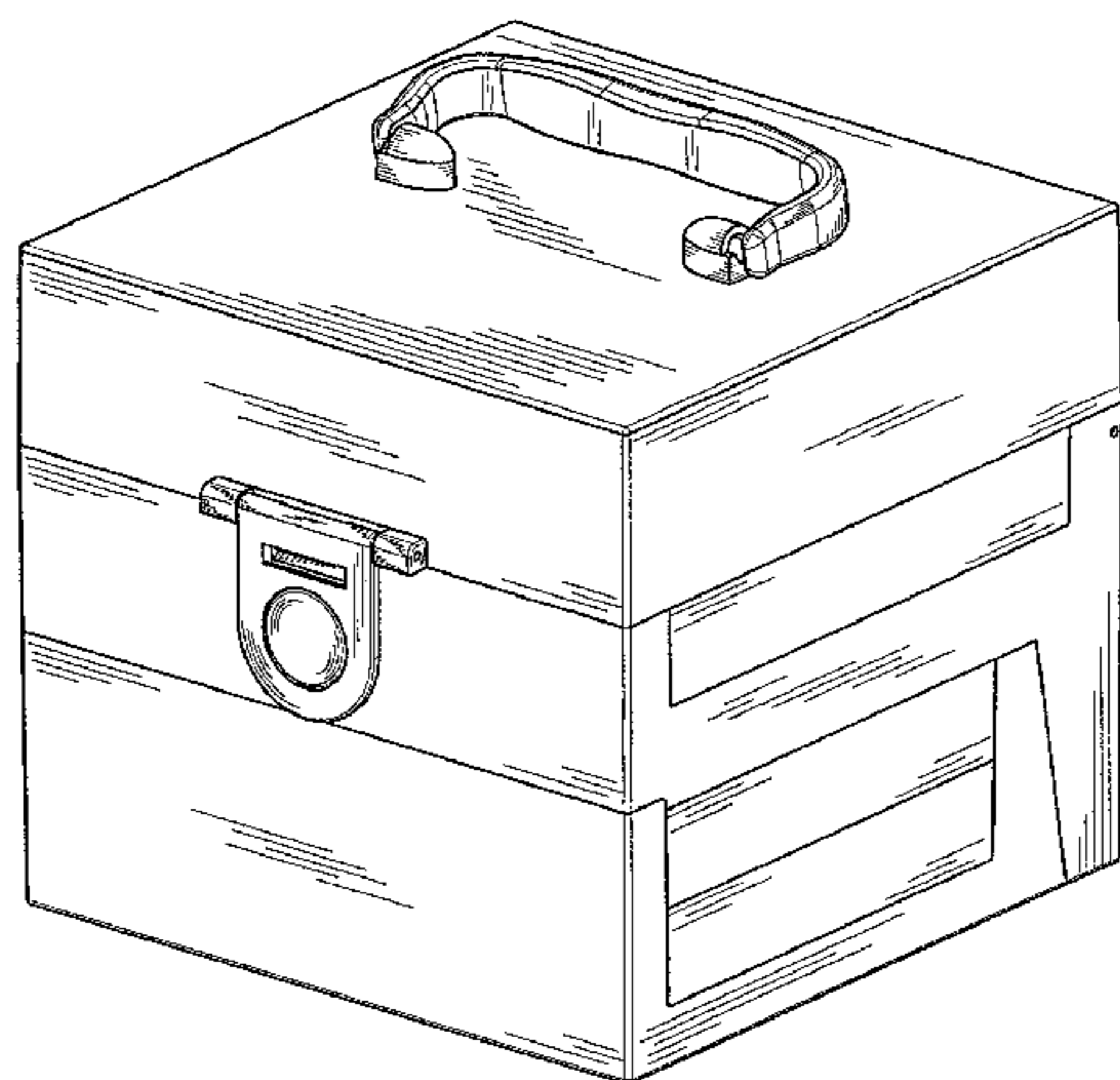
FIG. 6 is a top plan view thereof;

FIG. 7 is a bottom plan view thereof, with a stand engaged; and,

FIG. 8 is another perspective view thereof, showing the status while in use.

The broken lines showing the internal compartments form no part of the claimed design.

**1 Claim, 8 Drawing Sheets**



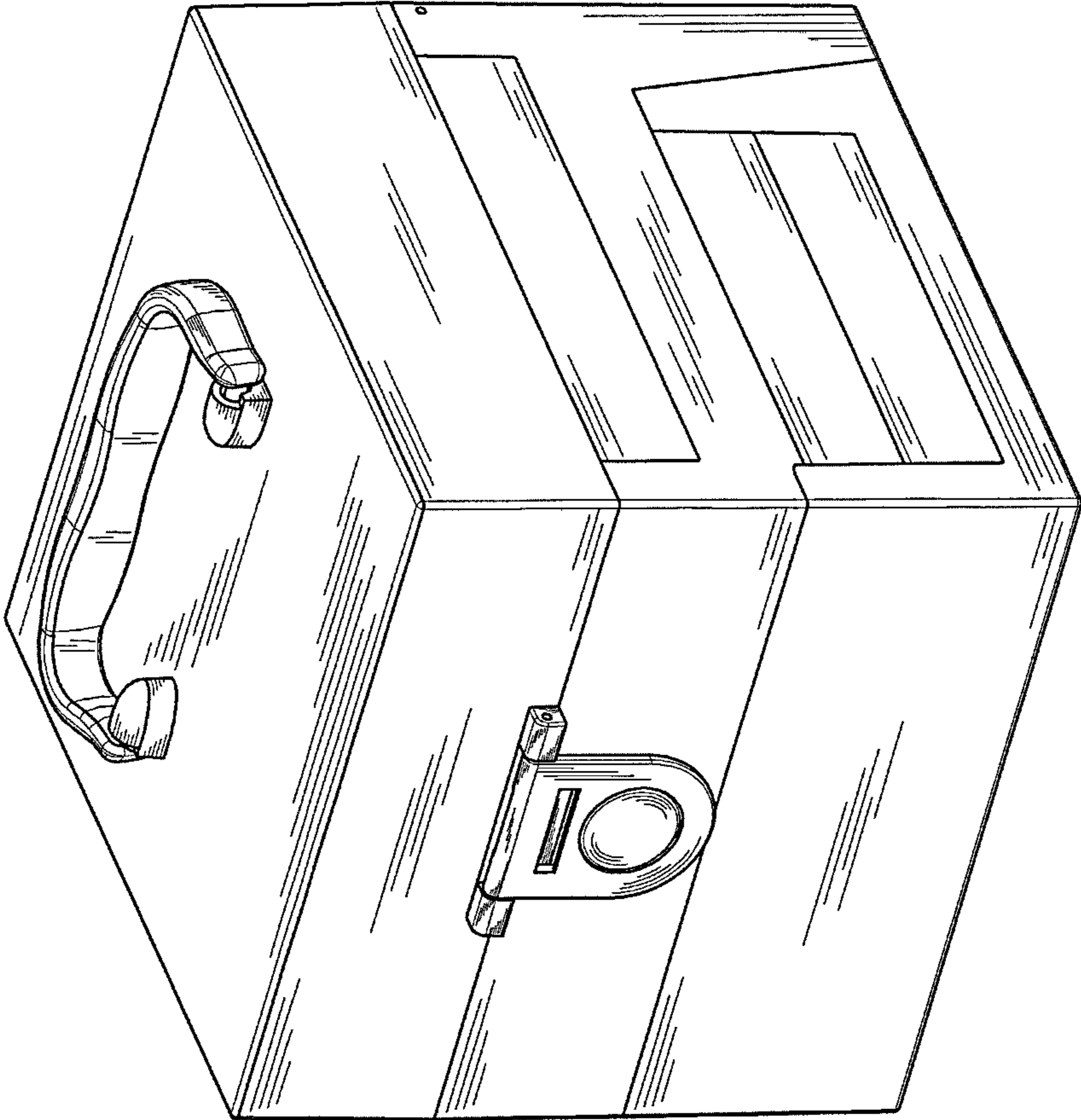


FIG.1

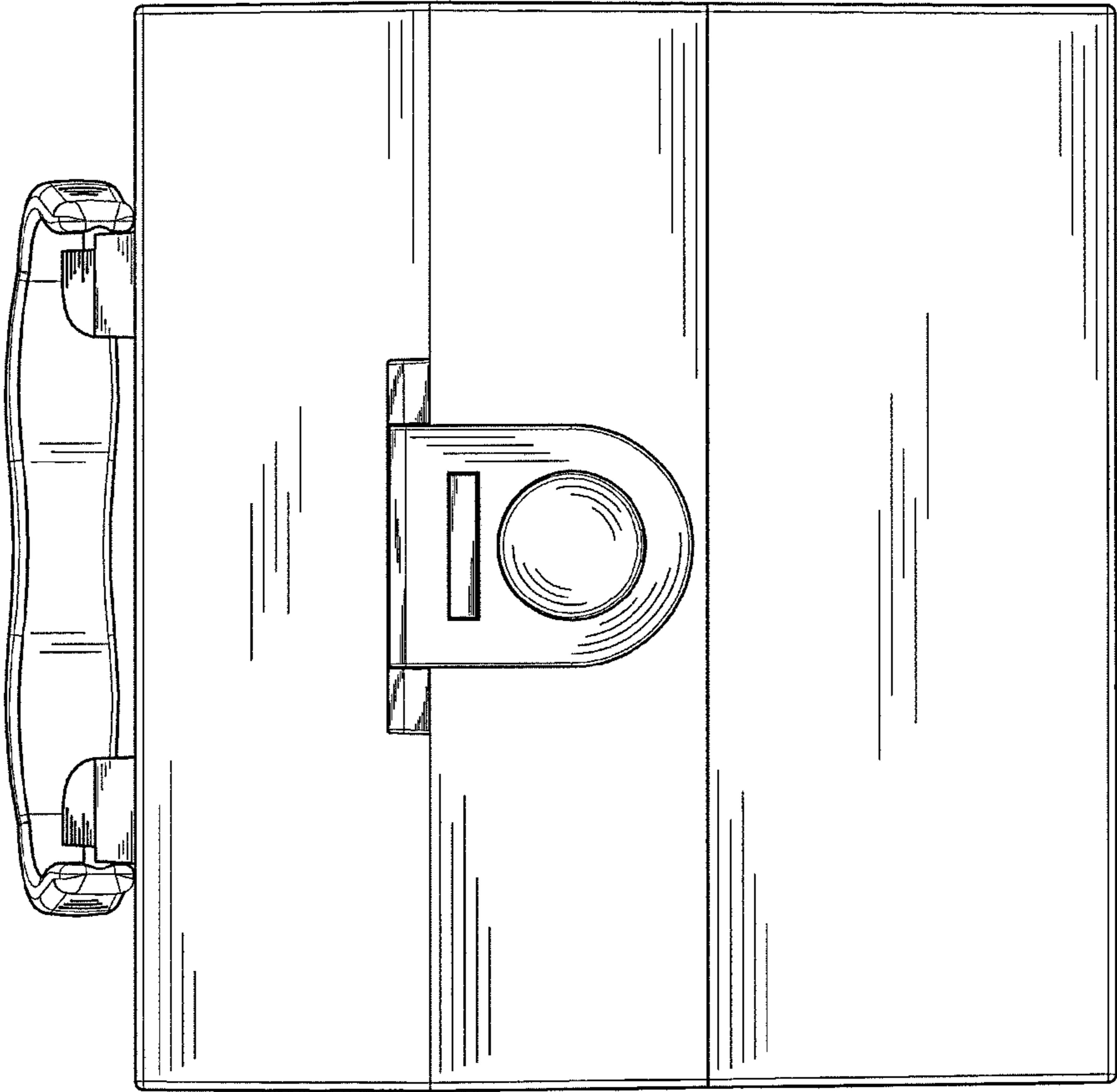


FIG.2

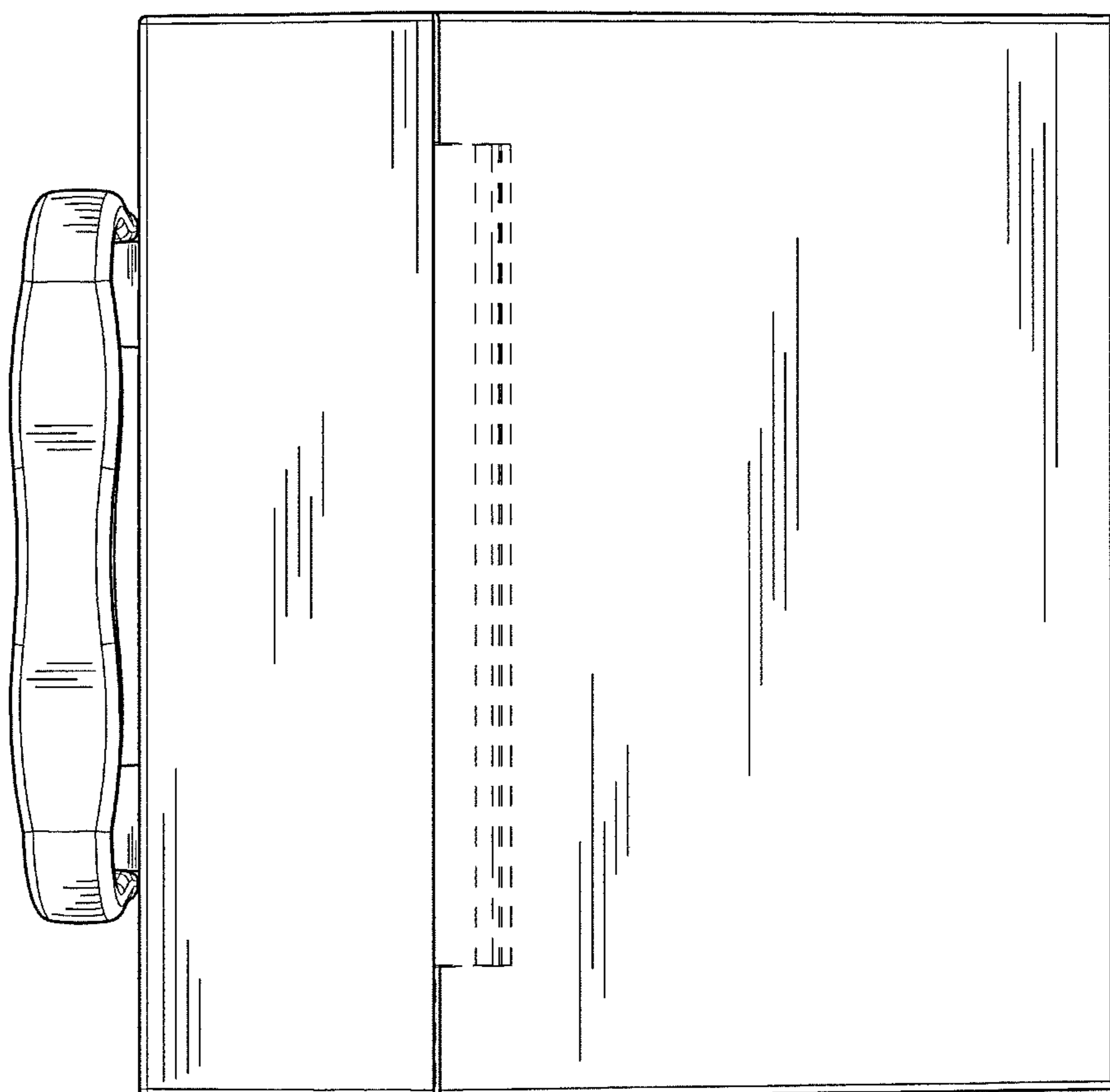


FIG.3

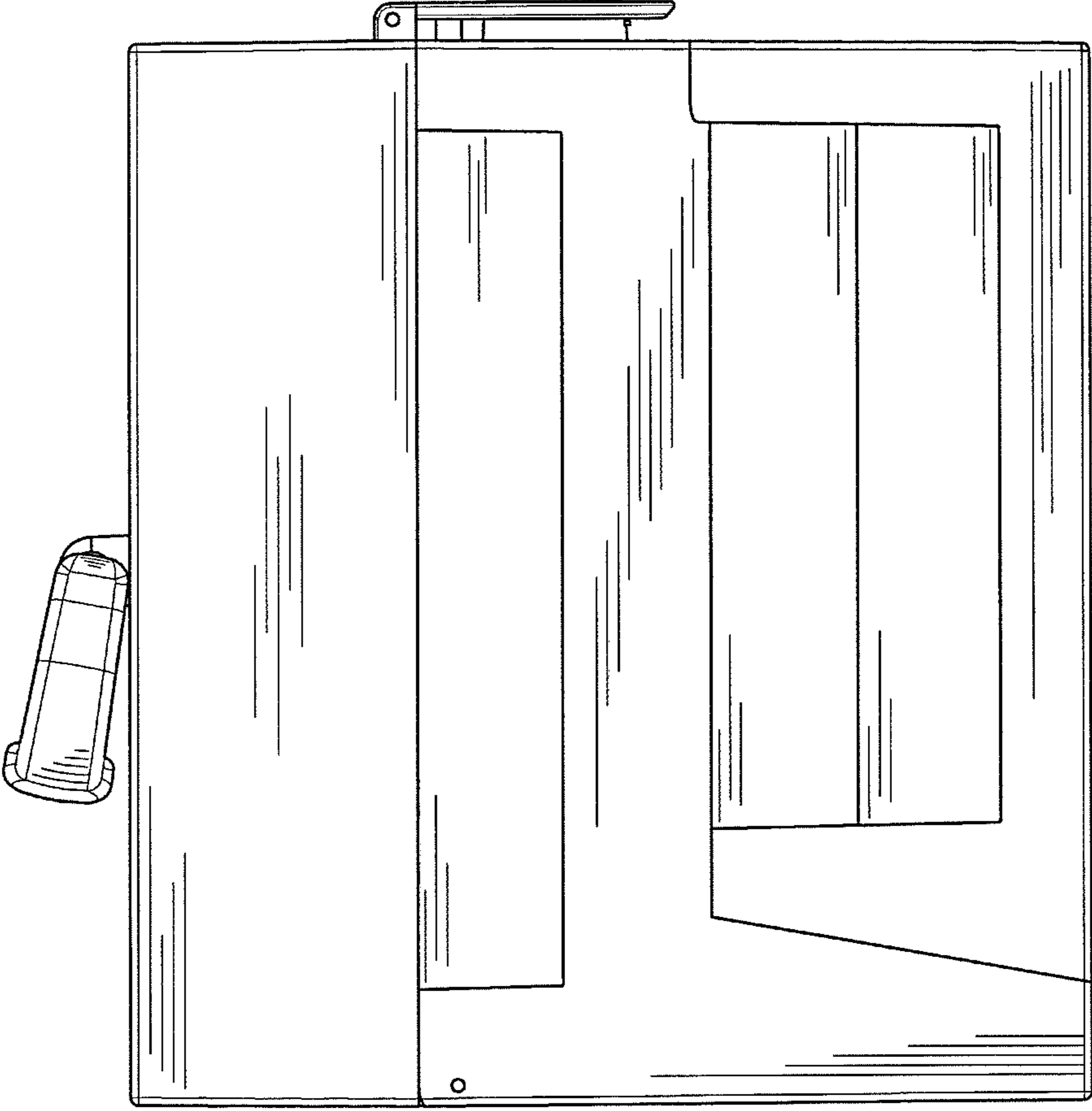


FIG.4

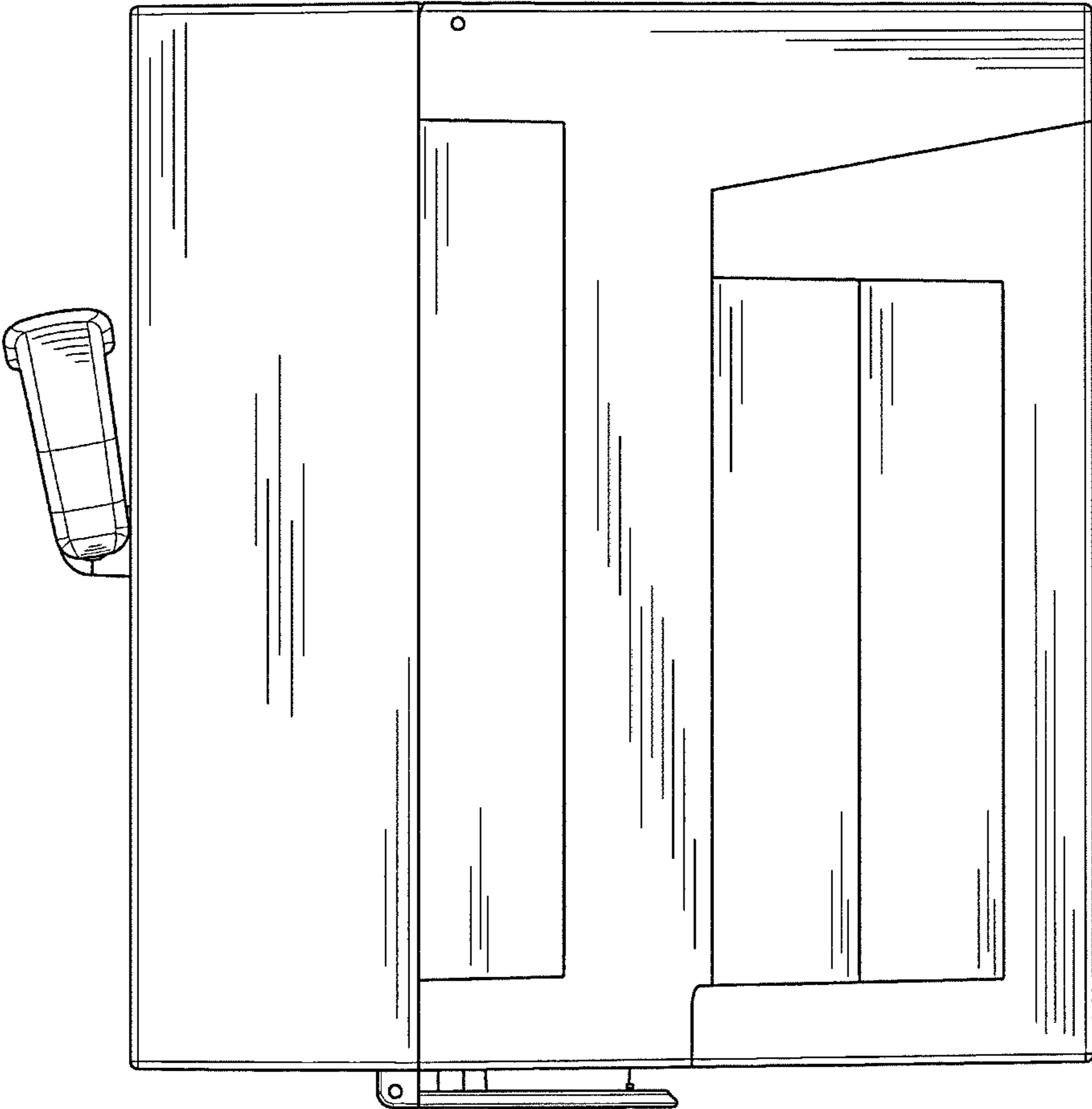


FIG.5

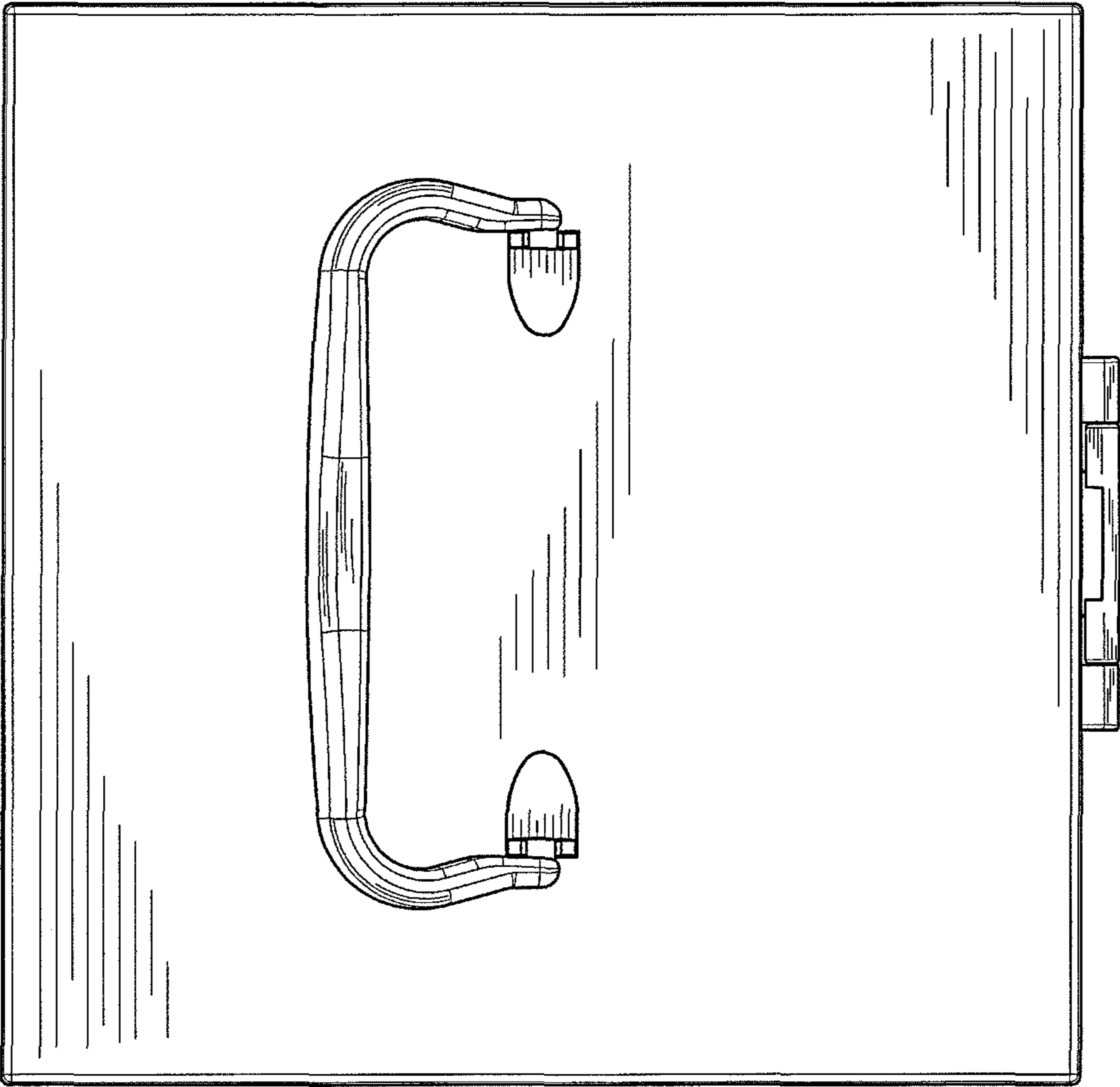


FIG.6

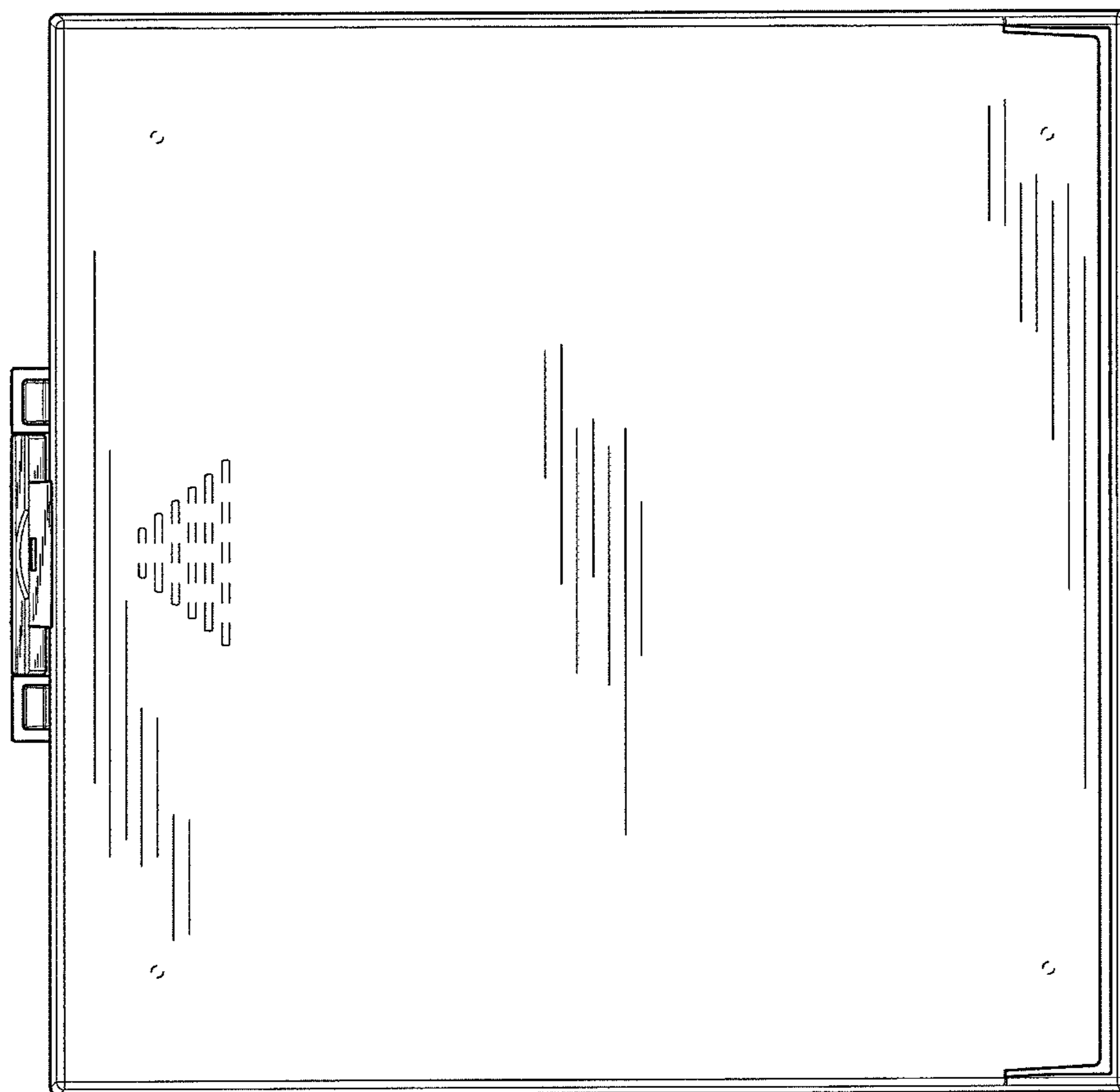


FIG. 7



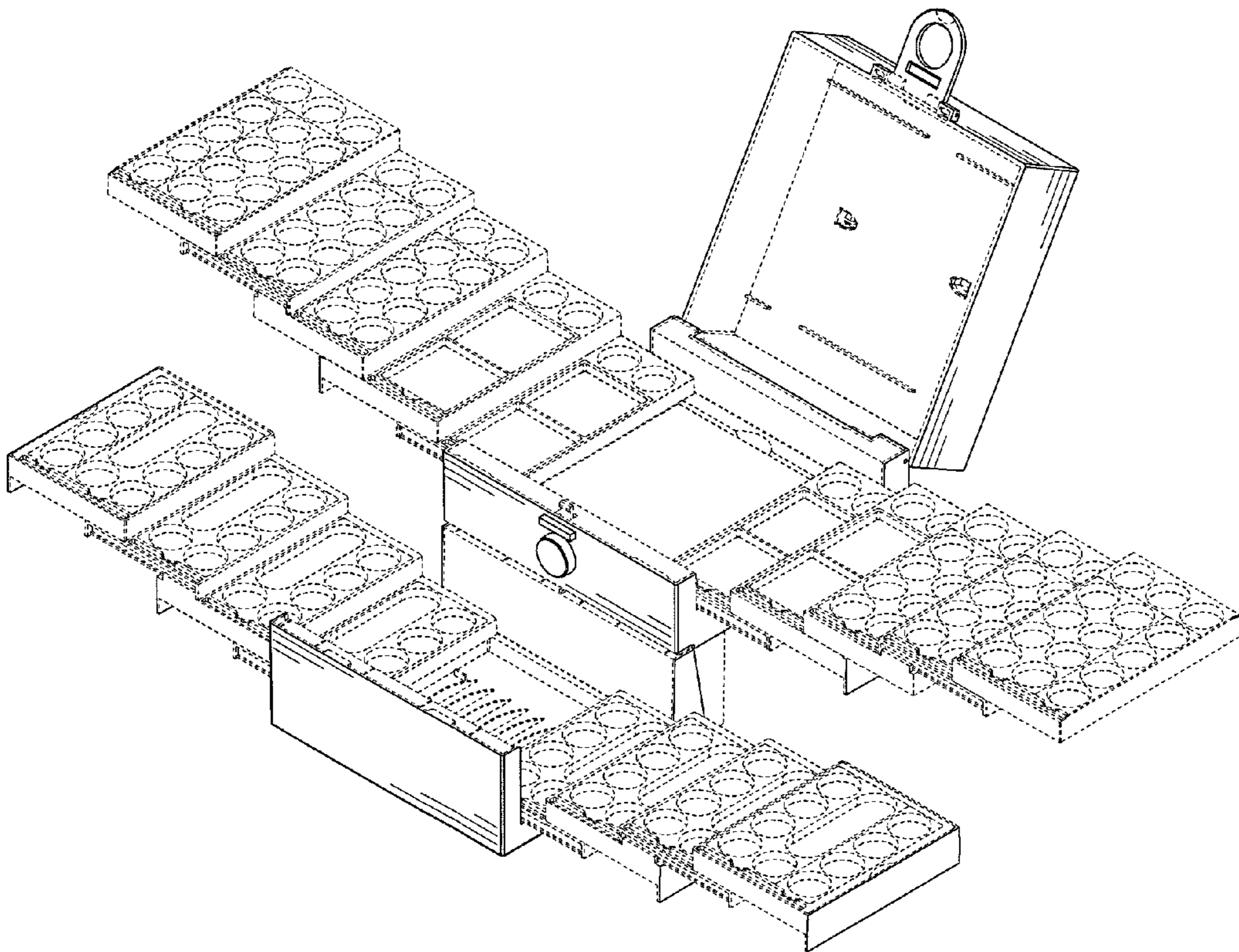


FIG.8