

US00D692182S

(12) **United States Design Patent**
Speh

(10) **Patent No.:** **US D692,182 S**
(45) **Date of Patent:** **** Oct. 22, 2013**

(54) **HAIR STYLING DEVICE HOLDER**

(75) Inventor: **Christoph Speh**, Mühlheim an der Ruhr (DE)

(73) Assignee: **WIK Far East Ltd.**, North Point (HK)

(**) Term: **14 Years**

(21) Appl. No.: **29/406,703**

(22) Filed: **Nov. 17, 2011**

(30) **Foreign Application Priority Data**

May 20, 2011 (EM) 001866385

(51) **LOC (9) Cl.** **28-03**

(52) **U.S. Cl.**
USPC **D28/73; D28/38**

(58) **Field of Classification Search**
USPC D28/38, 73; D6/567, 572; 211/70.6,
211/89.01; 248/117.1-117.7; 219/242,
219/222-226

See application file for complete search history.

(56) **References Cited**

U.S. PATENT DOCUMENTS

D372,189 S * 7/1996 Andis et al. D28/73
D552,796 S * 10/2007 Petruccelli D28/73

D584,856 S * 1/2009 Kirschenmann D28/73
D608,054 S * 1/2010 Radfar D28/73
D638,581 S * 5/2011 Blaisdell D28/73
D670,865 S * 11/2012 Cooper et al. D28/73
2004/0099624 A1* 5/2004 Hein 211/89.01

* cited by examiner

Primary Examiner — Jennifer Rivard

(74) *Attorney, Agent, or Firm* — Margaret Polson; Oppedahl Patent Law Firm LLC

(57) **CLAIM**

The ornamental design for a hair styling device holder, as shown and described.

DESCRIPTION

FIG. 1 is a front perspective view of my new design for a hair styling device holder.

FIG. 2 is a front side elevation view of FIG. 1.

FIG. 3 is a back side elevation view of FIG. 1.

FIG. 4 is a right side elevation view of FIG. 1.

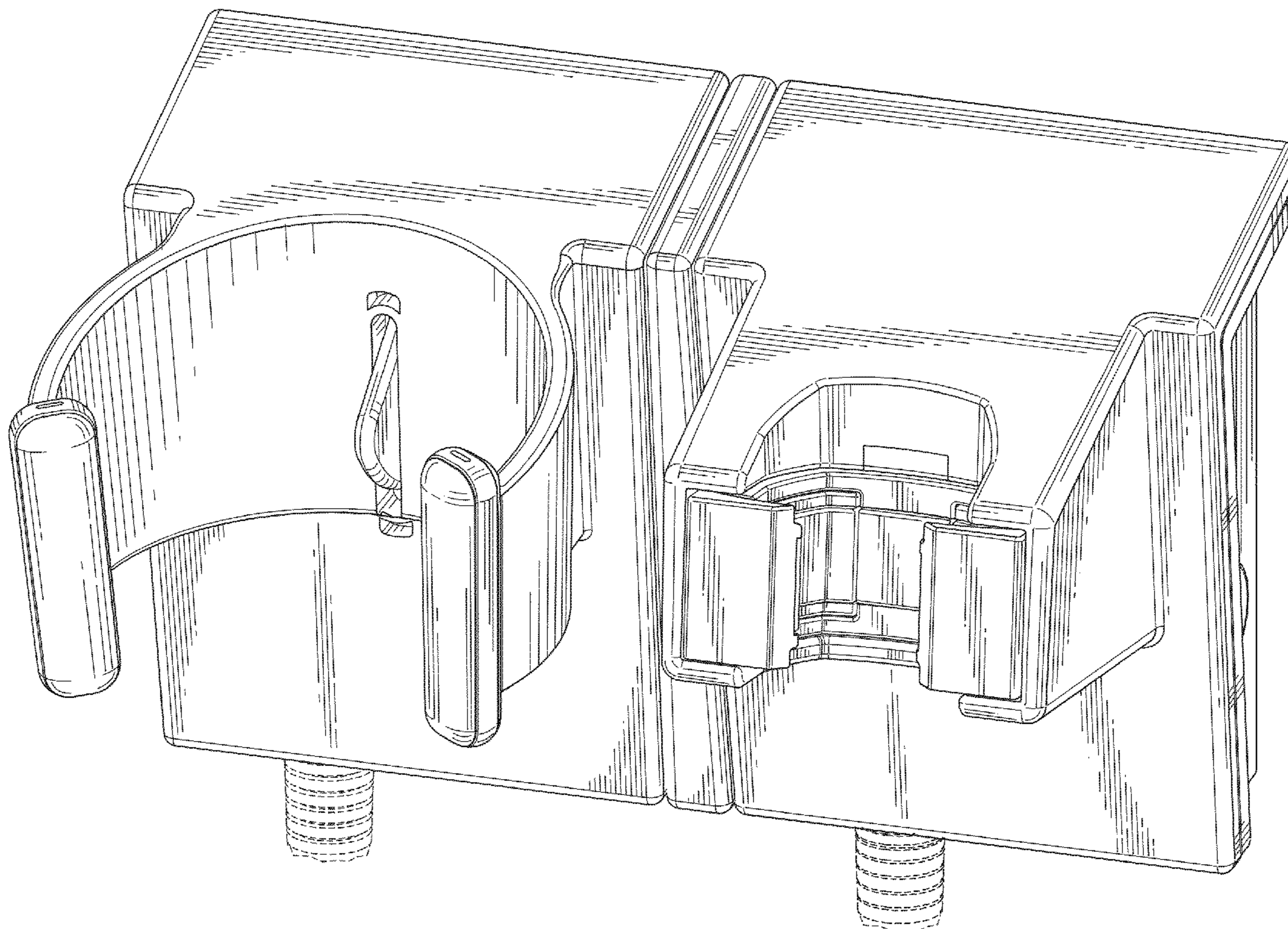
FIG. 5 is a left side elevation view of FIG. 1.

FIG. 6 is a top side plan view of FIG. 1; and,

FIG. 7 is a bottom side plan view of FIG. 1.

The broken lines shown in FIGS. 1 and 3 illustrate the power cord, feet and access panel and form no part of the claimed design.

1 Claim, 6 Drawing Sheets



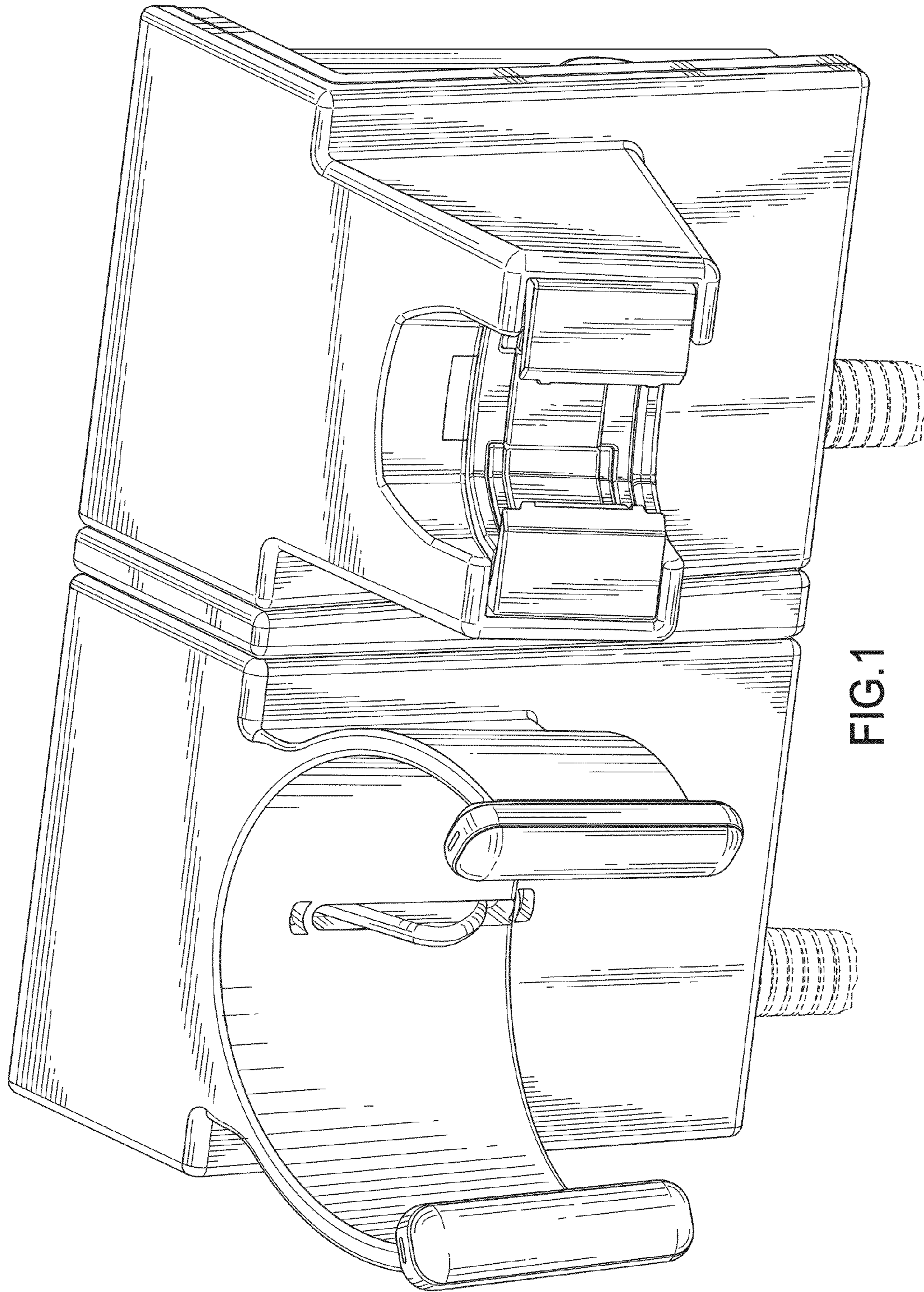


FIG.1

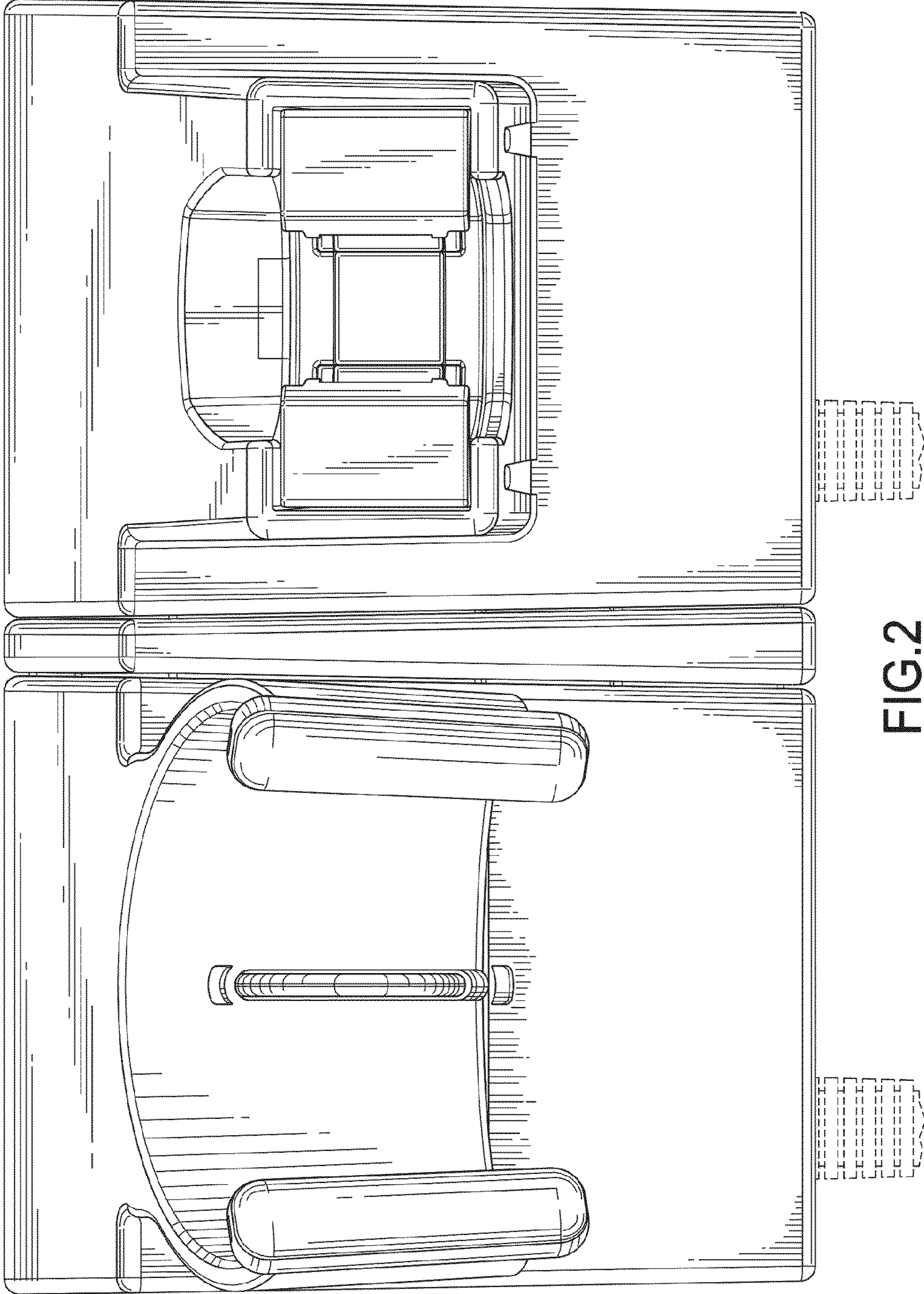


FIG.2

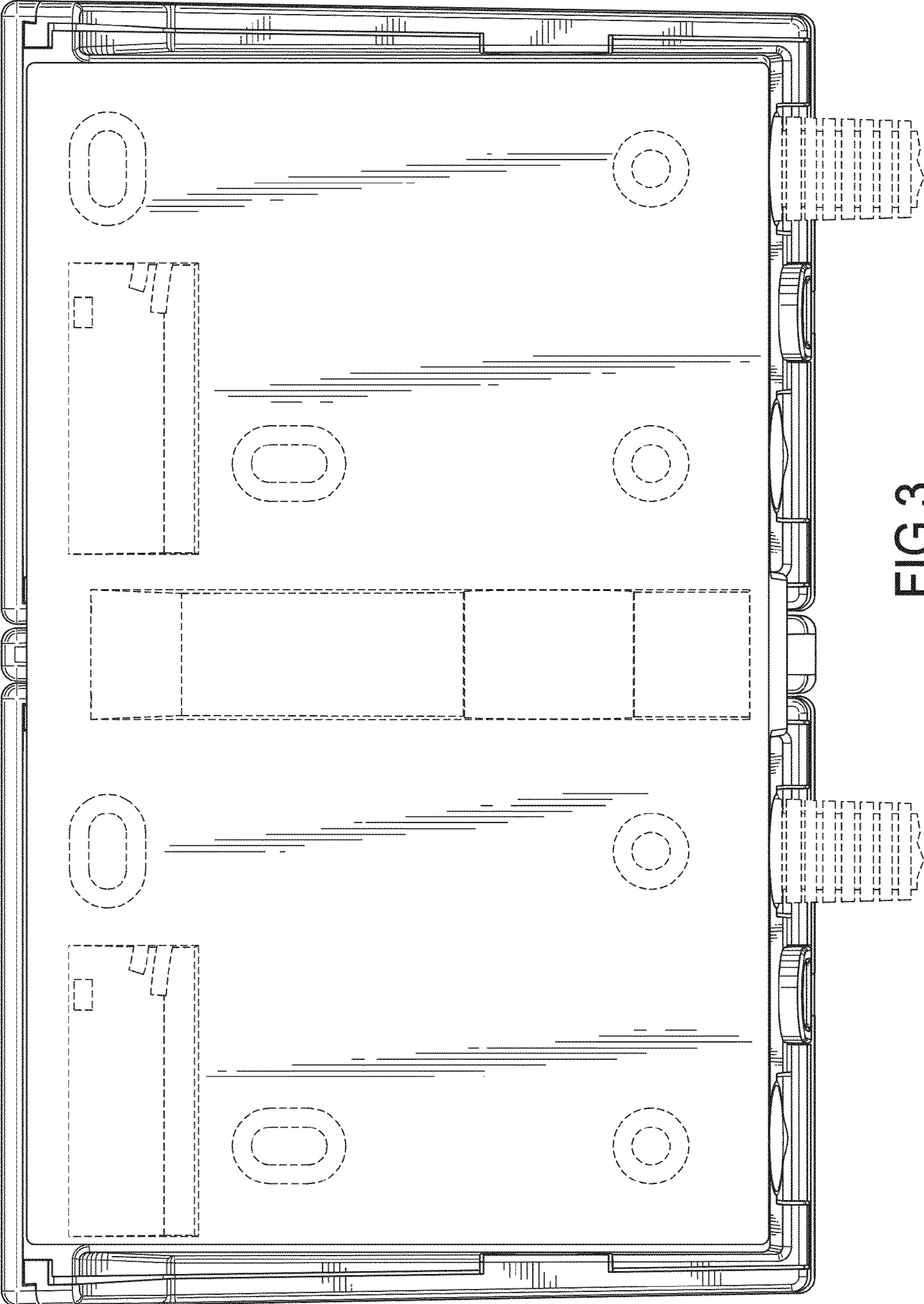


FIG.3

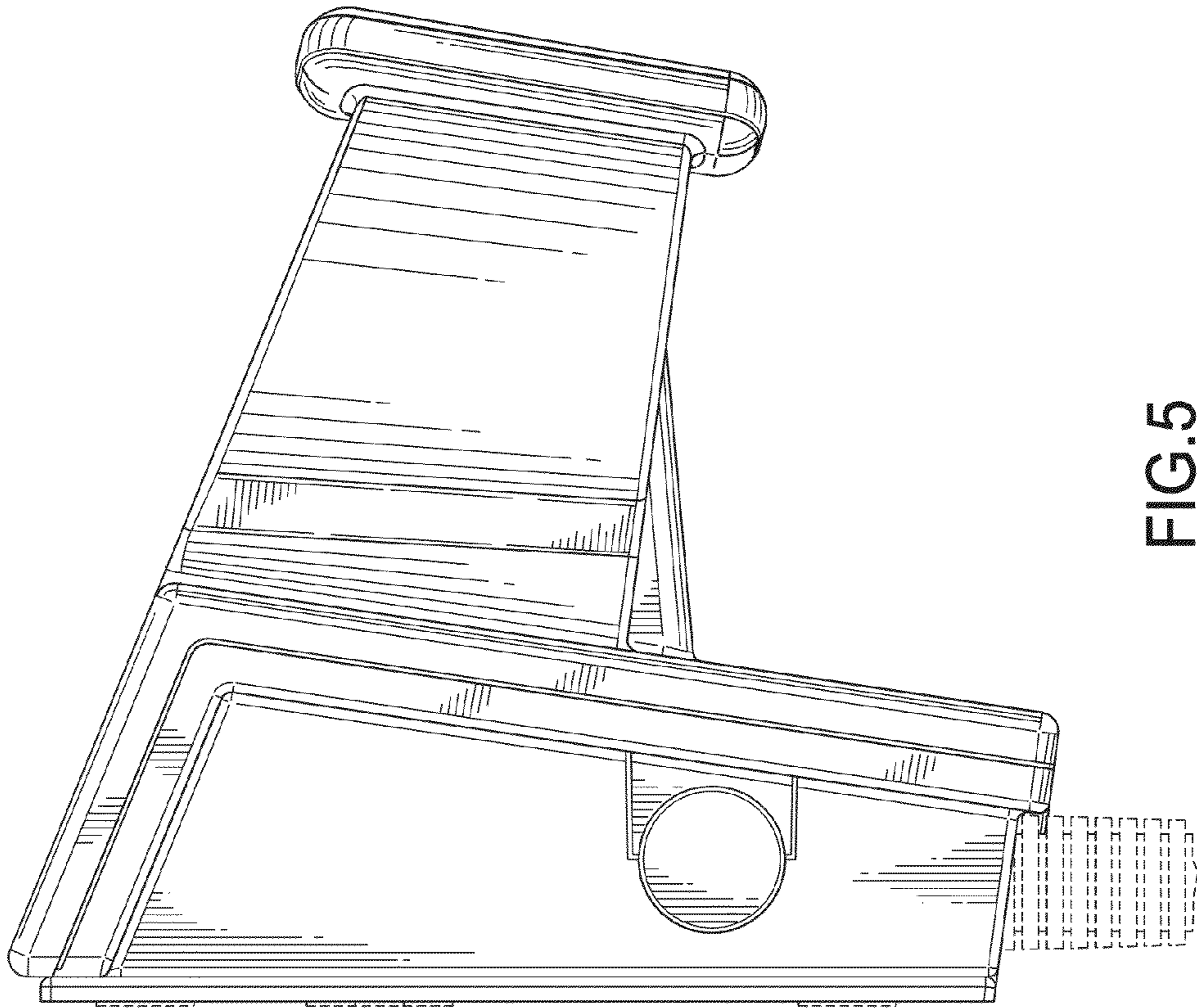


FIG.5

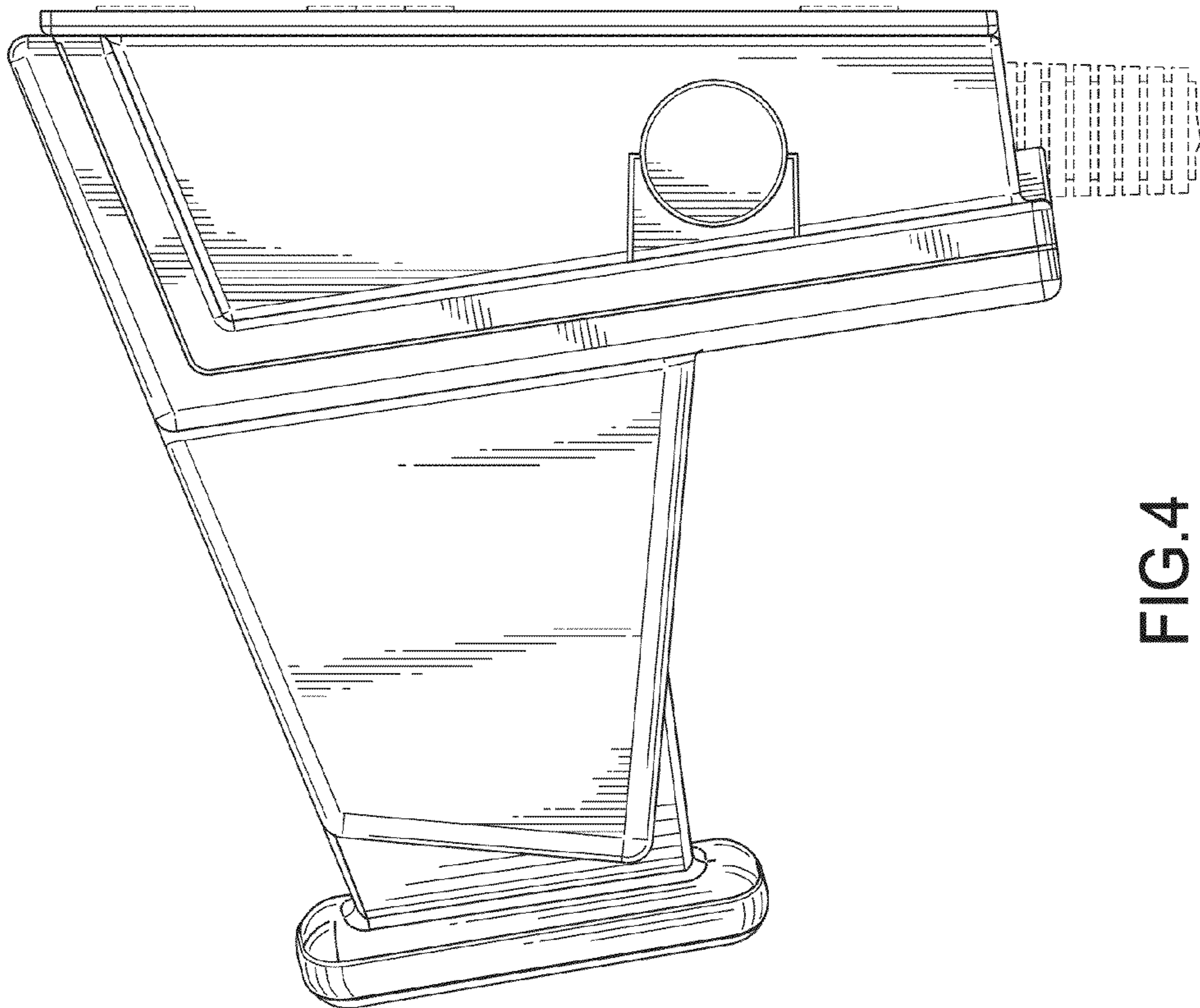


FIG.4

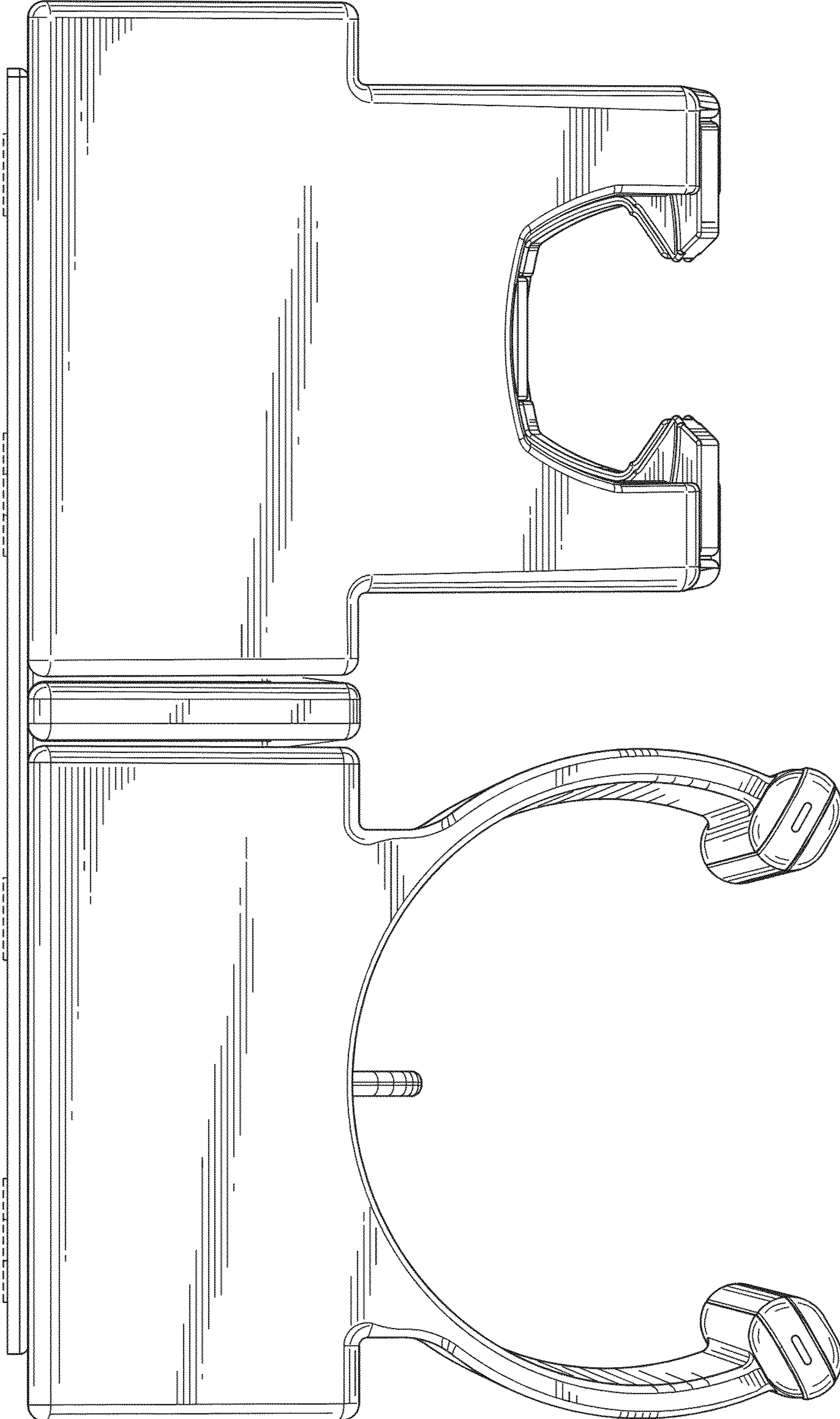


FIG.6

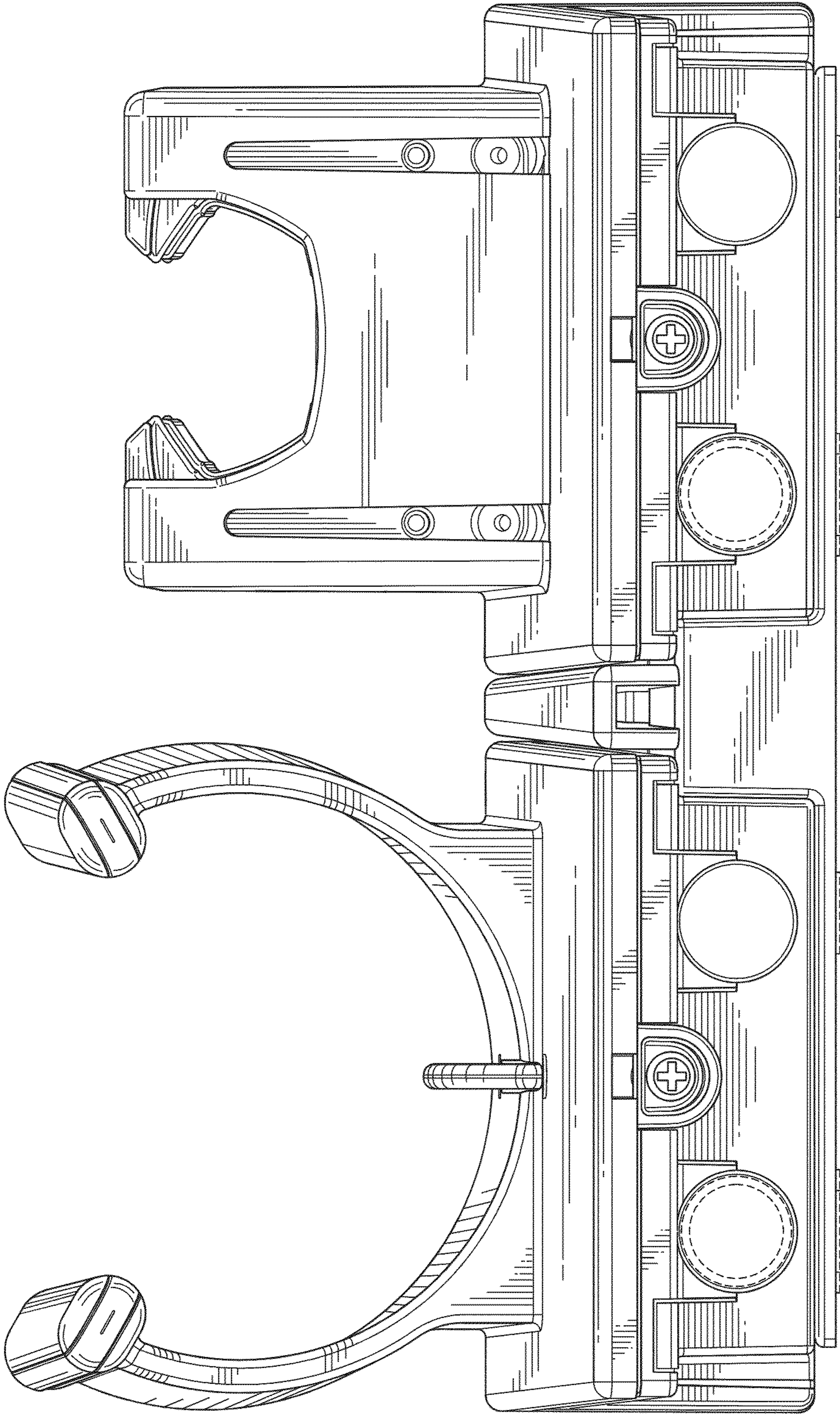


FIG.7